



Instruction manual
Bedienungsanleitung
Manuel d'utilisation
Gebruiksaanwijzing
Manuale di istruzioni
Manual de instrucciones

UK: BBQ Grill smoker

DE: BBQ Grill-Räuchergerät

FR: Fumoir de grill barbecue

NL: BBQ-grill smoker

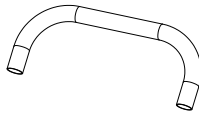
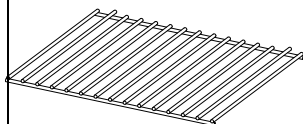
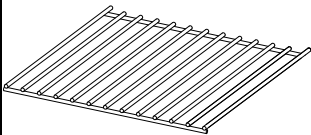
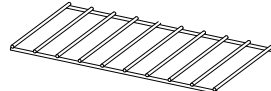
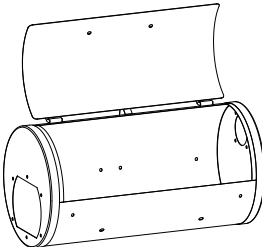
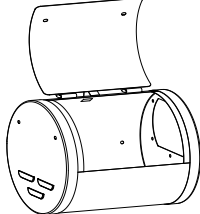
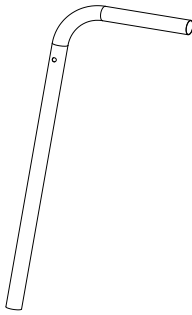
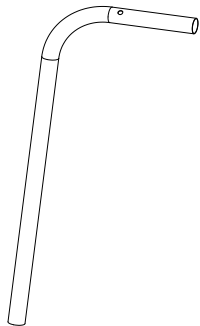

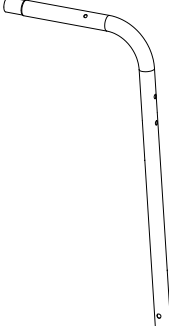
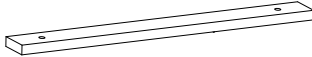
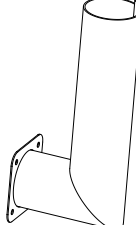
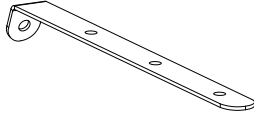
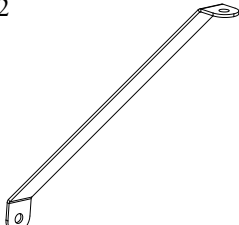


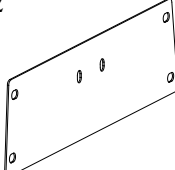
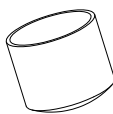
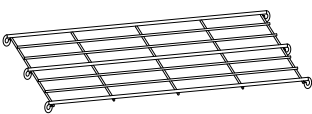
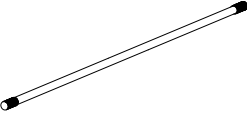
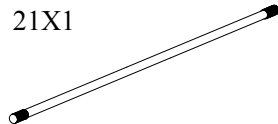






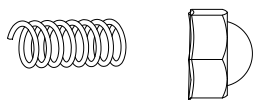
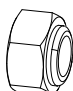
IT: Griglia affumicatore barbecue

ES: Ahumador para barbacoa

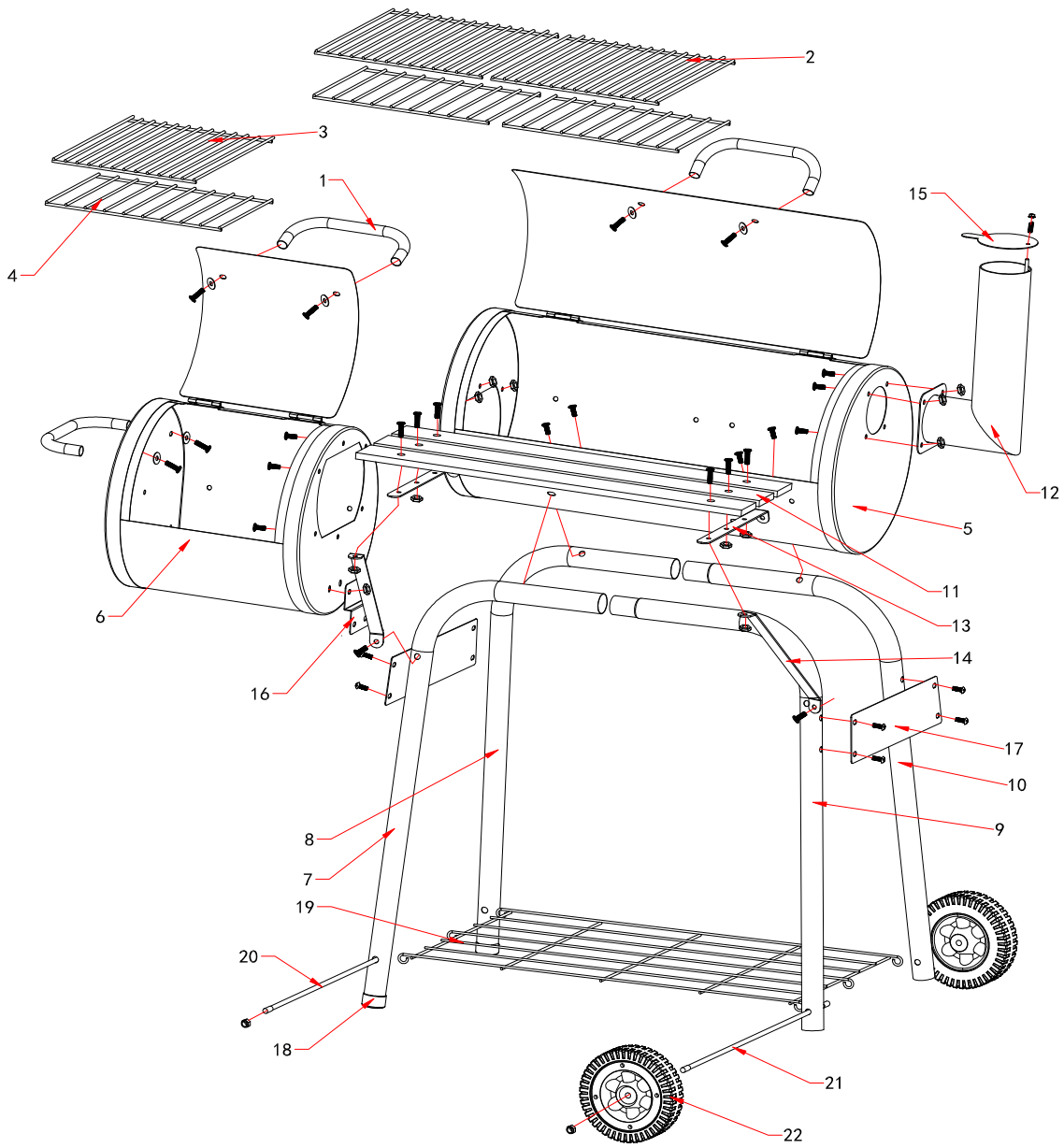


ITEM NO. 871125219333

A.I.&E. Adriaan Mulderweg 9-11, 5657 EM Eindhoven, The Netherlands
Edco UK Ltd, 1st Floor Two Chamberlain Square, B3 3AX, Birmingham, UK
Made in P.R.C. © copyright

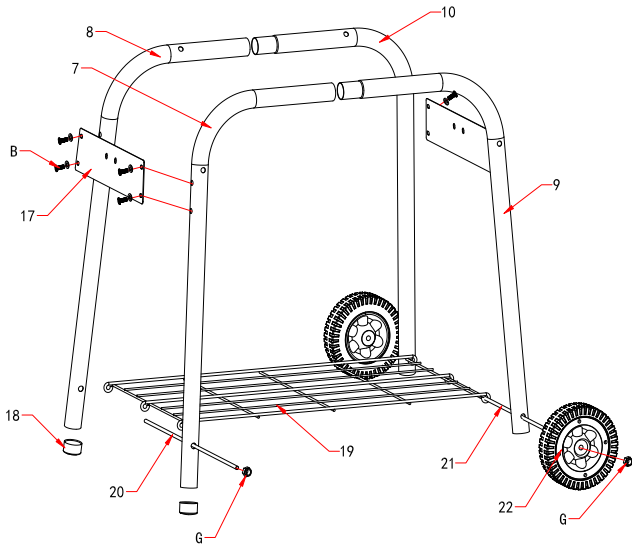
1X3 	2X2 	3X1 	4X3 
5X1 	6X1 	7X1 	8X1 
9X1 	10X1 	11X3 	12X1 
13X2 	14X2 	15X1 	16X1 
17X2 	18X2 	19X1 	20X1 
21X1 	22X2 		
AXM6X12mmX16 	BXM6X12mmX14 	CX M6X16mmX6 	DX ϕ 16mmX6 
EXM5mmX15mmX6 	FX M6mmX1 	GXM8mmX4 	

EXPLODE VIEW

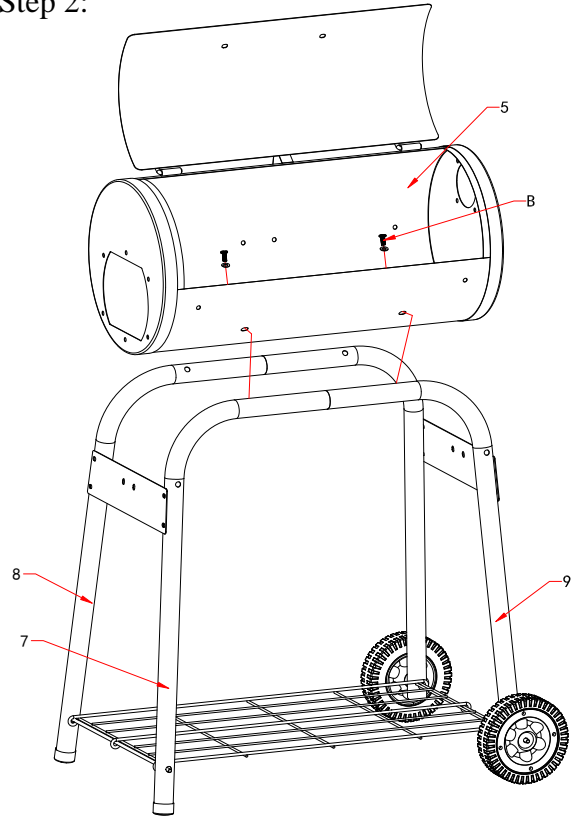


ASSEMBLE INSTRUCTION:

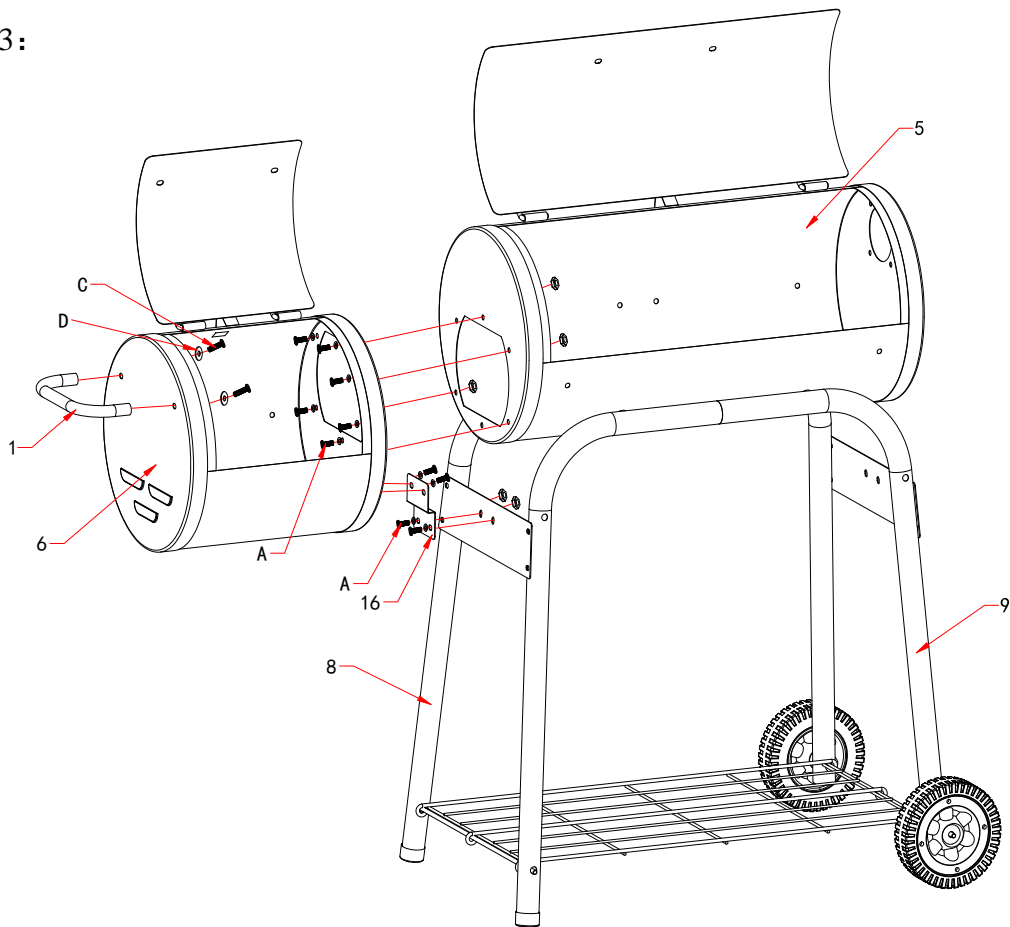
Step 1:



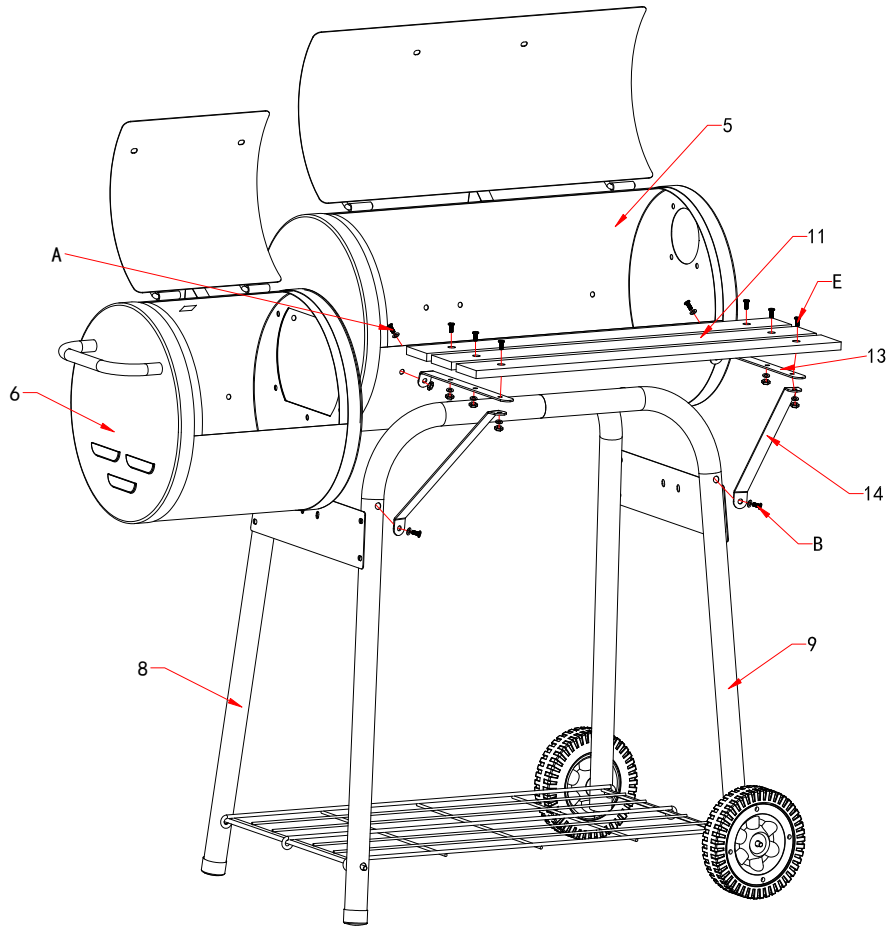
Step 2:



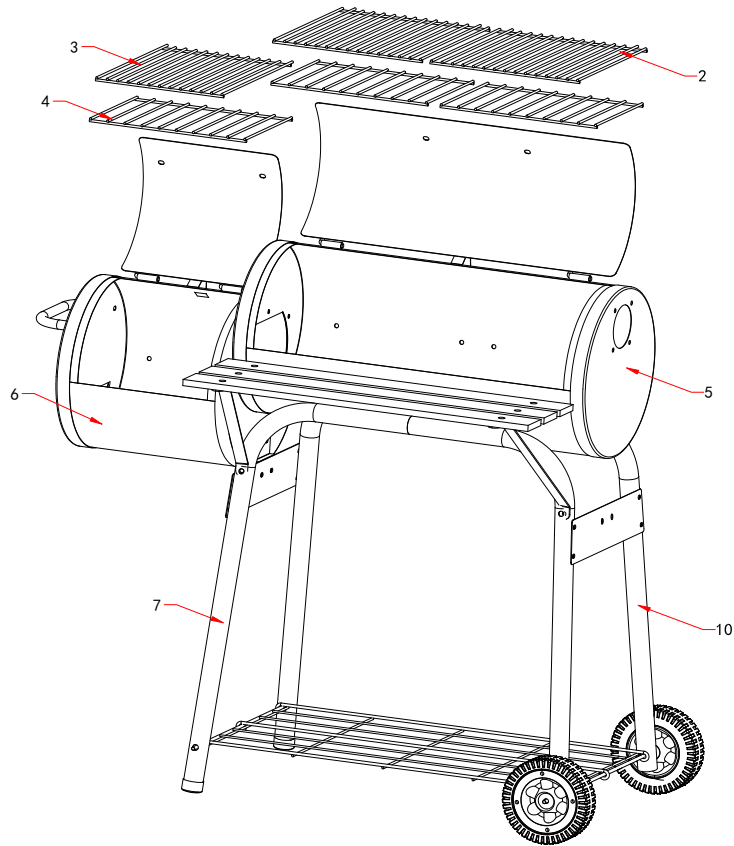
Step 3:



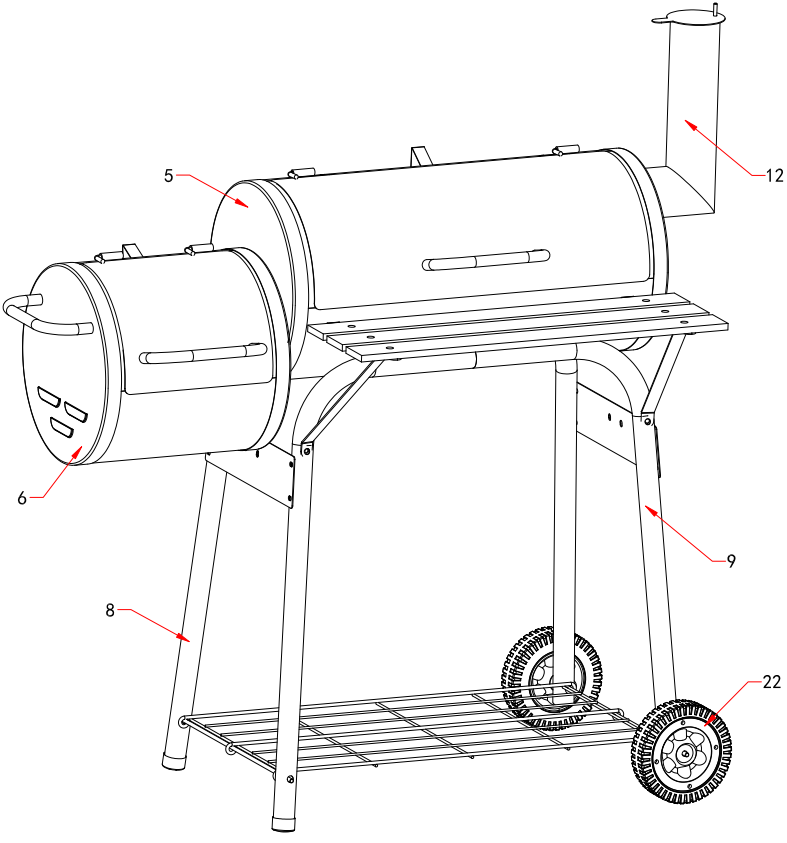
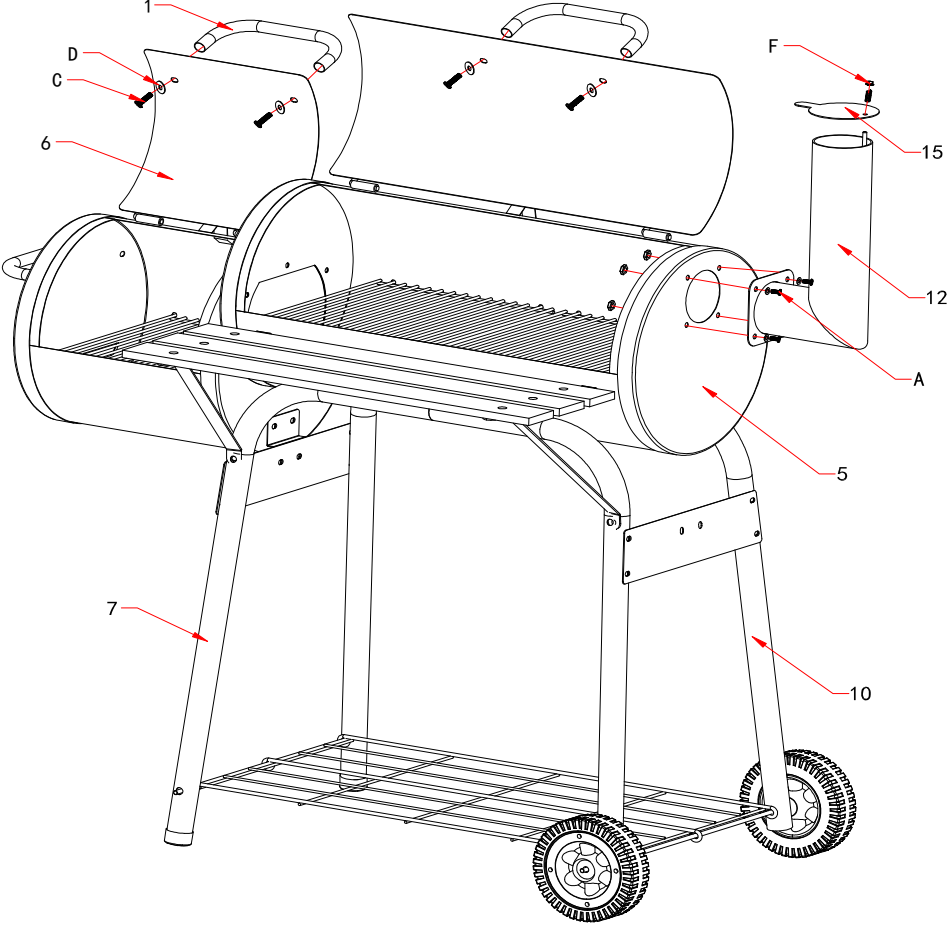
Step 4:



Step 5:



Step 6:



ASSEMBLY INSTRUCTION:

Step 1:

Attach the plastic cap(18) over the ends of long leg (8) and (7) respectively , attach connection sheet (17) to long leg with 4 pieces of screws(B),

Align short leg(10) with long leg (8) and align short leg (9) with long leg (7) with 4 pieces of screws (B),

Put axle (20) through the holes of long leg(7) and bottom rack(19) and fix with two pieces of nut (G) at the end. Put axle (21) through the holes of short leg(9) and the two wheels (22), and fix with 2 pieces of nut(G) on both sides.

Step 2:

Install main firebowl (5) onto leg with 4 pieces screws(B),

Step 3:

Attached part (16) to connection sheet (17) with 2 pieces of screws (A), then use 6 pieces of screws (A) through the holes on side fire bowl and fix with nut, and use 2 pieces of screws and washer (A) through its holes and attached to part (16),

Install handle (1) onto side fire bowl through the holes and fix with 2 pieces of screws (C) and melt washer (D).

Step 4:

Attach 2 pieces of bracket(13) to main fire bowl with 2 pieces screws(A), attach 2 pieces of support (14) onto leg with 2 pieces of screws and washer (B) at one side, while its another side attached to bracket (13), then align 3 pieces of cutting board(11) with bracket (13) through holes and fix with 6 pieces of screws (E).

Step 5:

Insert 2 pieces of charcoal grill(4) and cooking grill (2) inside of main firebowl, and 1 piece of charcoal grill(4)and 1 piece of cooking grill (3) inside of side firebowl

Step 6:

Attach 2 handles to both firebowl cover with 4 piece of screws(C) and metal washer(D),

Align chimney (12) onto bowl with 4 pieces screws (A) and washer and fix with nut, which top cap (15) is fixed by spring (F) and locked by nut.