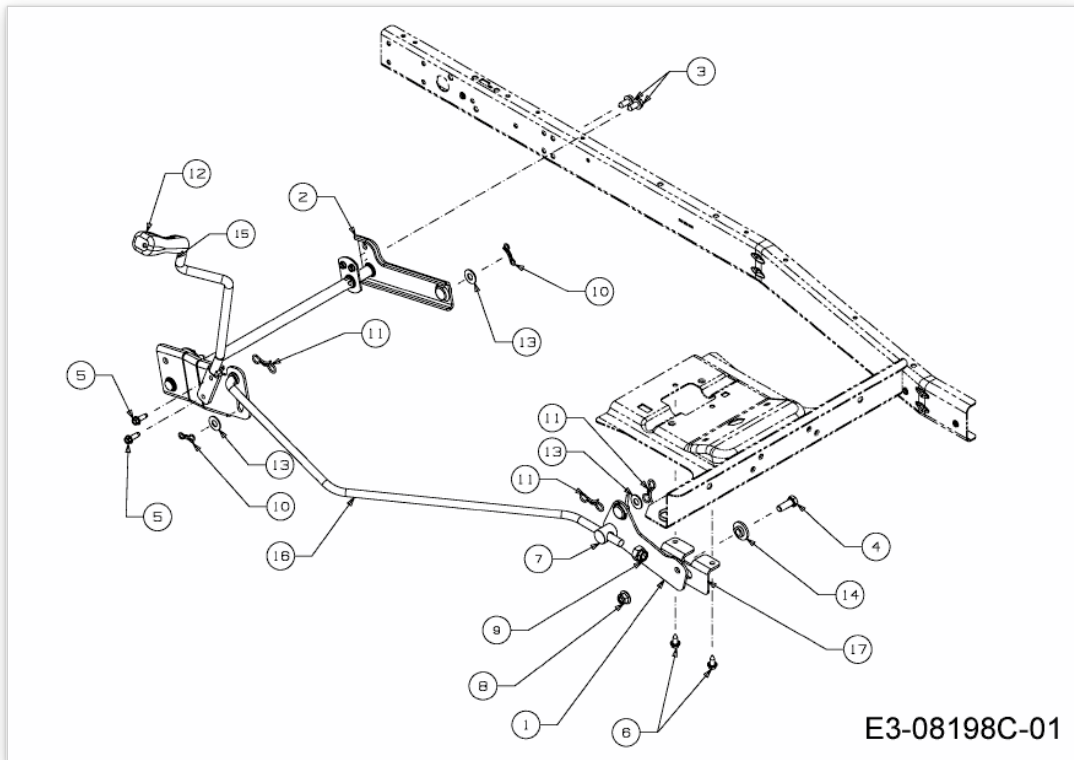
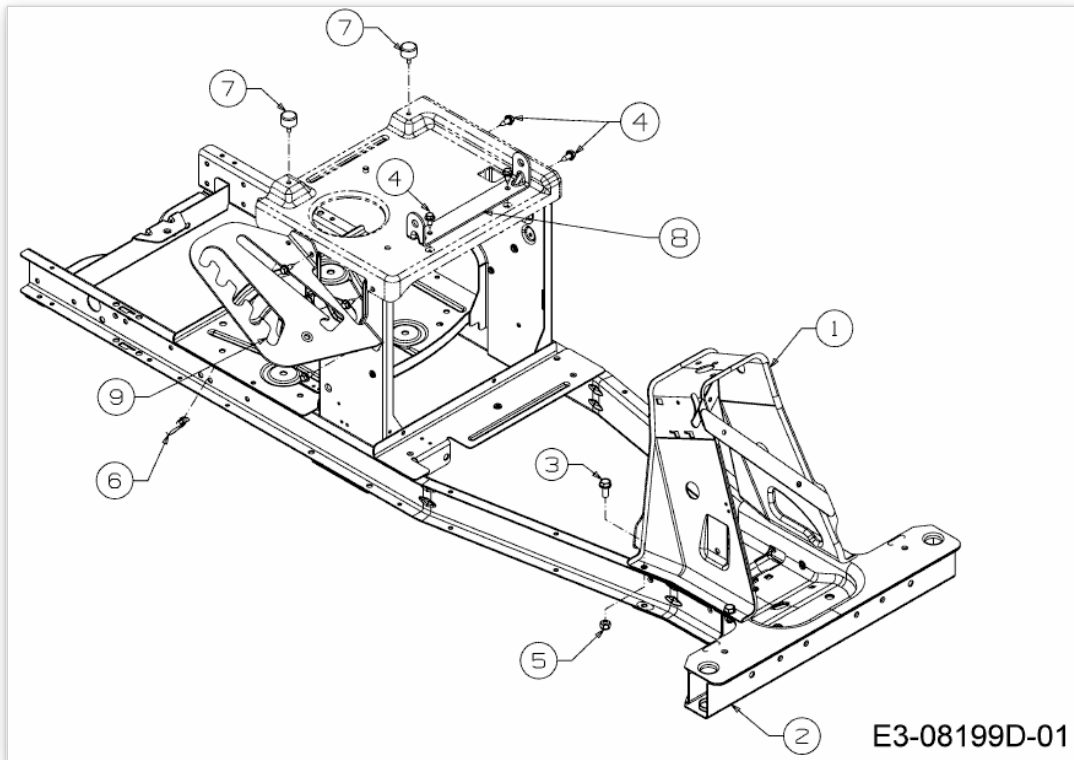


MINIRIDER 60 RDE > 13AA26SC600 (2018) > DECK ENGAGEMENT



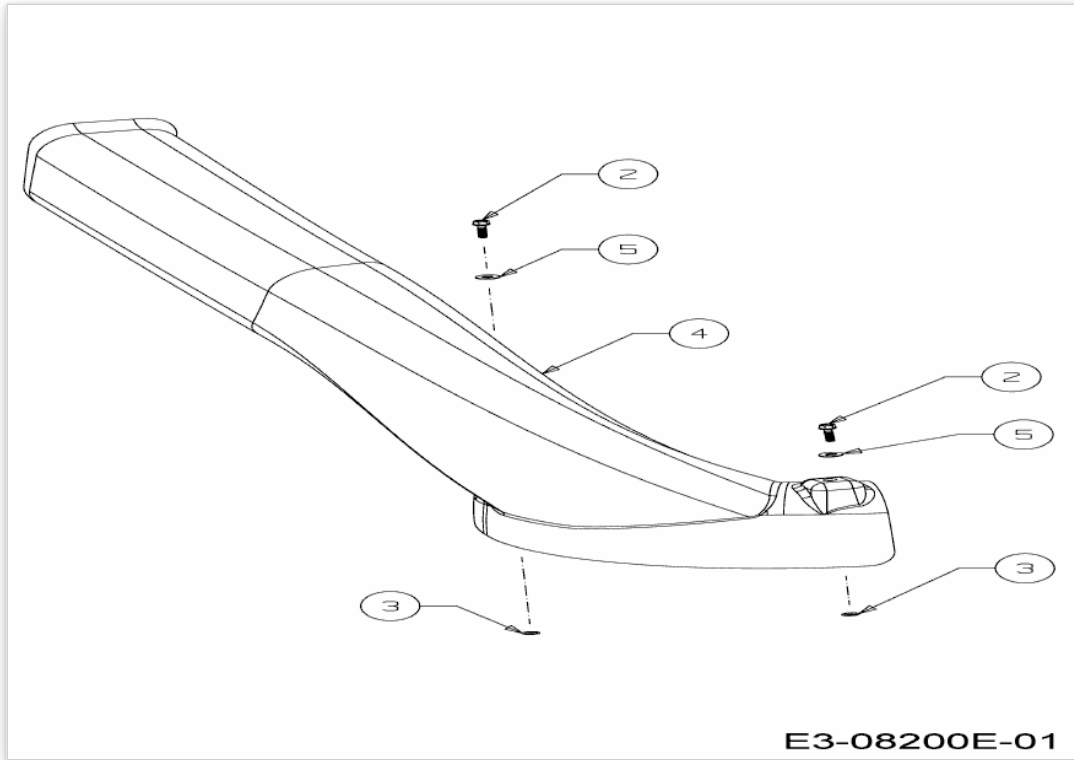
Item	Part number	#	Description I	Description II
1	683-05045	1		
2	683-05060	1		
3	710-04484	4	SCR:TT:5/16-9:0.75:HXINDWSH	FINISH:MTD SPEC-100016 TYPE 1
4	710-0514	1	HHCS:3/8-16:1.00:GR5:STD	FINISH:MTD SPEC-100015
5	710-0642	2	SCR:TT:1/4-20:0.75:HXINDWSH	SPEC-100016 TYPE 1 910-0642
6	710-1652	2	SCR:TT:1/4-20:0.62:HXINDWSH	FINISH:MTD-SPEC-100016 TYPE 1
7	711-05690C	1	FRL:.50 X .50	FINISH:MTD SPEC-100015
8	712-04065	1	NUT:HEXFLGLK:3/8-16:GRN5:NYLON	FINISH:SPEC-100015 912-04065
9	712-04243	1	NUT:HEXFLXLK:1/2-13:GR2	FINISH:MTD SPEC-100015
10	714-04040	2	PIN-COTTER	FINISH:ASTM F1941 FE/ZN 3AN
11	714-04043	3	PIN COTTER:BOW - TIE 91	FINISH:VERZINKT
12	720-0311	1	GRIP-HANDLE:1/2	FARBE:SCHWARZ VINYL
13	736-0300	3	WASH:FLAT:0.396X0.885X0.060	FINISH:MTD SPEC-100015
14	738-0347	1	SPCR:SHLDR:0.381X0.625X0.169	FINISH:
15	747-05576	1		
16	747-06108	1	ROD LIFT RH	747-06108
17	783-07129	1		

MINIRIDER 60 RDE > 13AA26SC600 (2018) > FRAME



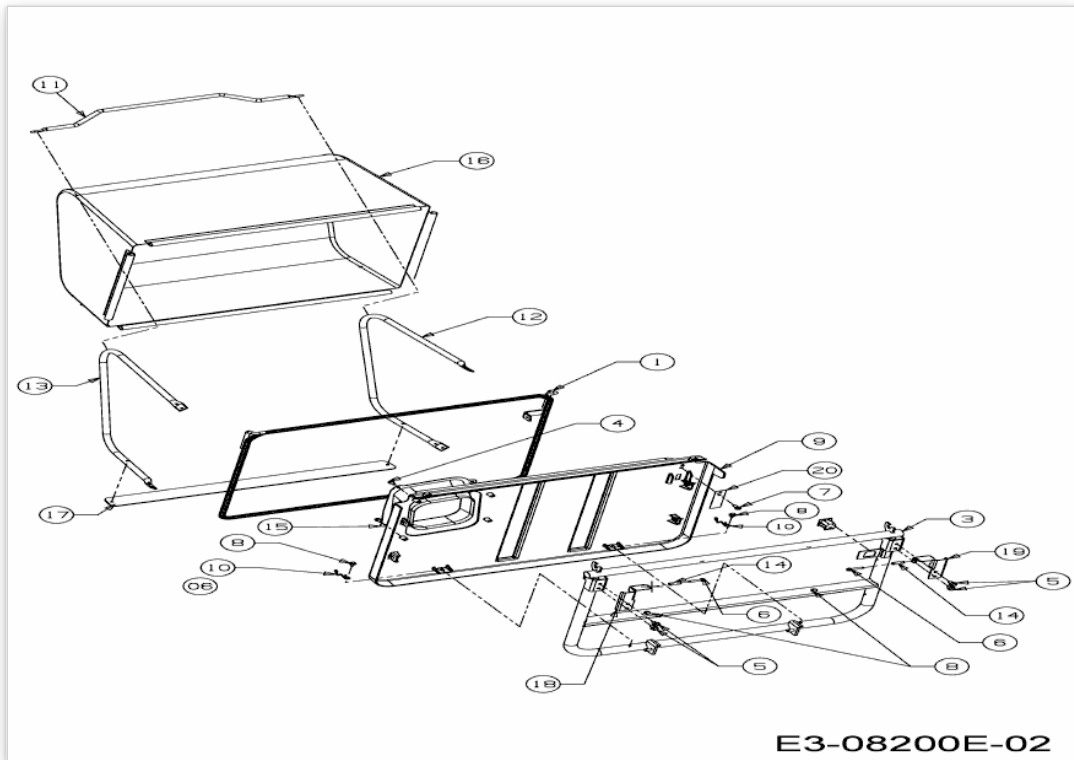
Item	Part number	#	Description I	Description II
1	683-05167637	1	PEDESTAL ASM STEERING	683-05167637
2	683-05189A-S	1	FRAME ASM POWDER BLACK	683-05189A-S
3	710-06194	4	Screw	710-06194
4	710-1652	7	SCR:TT:1/4-20:0.62:HXINDWSH	FINISH:MTD-SPEC-100016 TYPE 1
5	712-0429	4	NUT:HEXLK:5/16-18:GRN5:NYLON	FINISH:SPEC-100015
6	726-0154	1	TIE:CABLE:PUSH MOUNT 7.5 LG	FINISH:SCHWARZ
7	735-05006	2	BUMPER:.62 DIA X .50	FINISH:BLACK
8	783-07168637	1	BRKT-SEAT BASE	783-07168637 *
9	783-08260637	1	BRACKET DECK LIFT	783-08260637

MINIRIDER 60 RDE > 13AA26SC600 (2018) > DISCHARGE CHUTE



Item	Part number	#	Description I	Description II
2	710-06110	2	HHWSH:5/16-18:1.00:GR5:RET	FINISH:MTD SPEC-100015
3	726-0201	2	RET:PUSH-ON:BOLT:5/16-18	MECHANISCH VERZINKT:SIEHE ZG.
4	731-09200	1	CHUTE BAGGER	731-09200
5	736-0300	2	WASH:FLAT:0.396X0.885X0.060	FINISH:MTD SPEC-100015

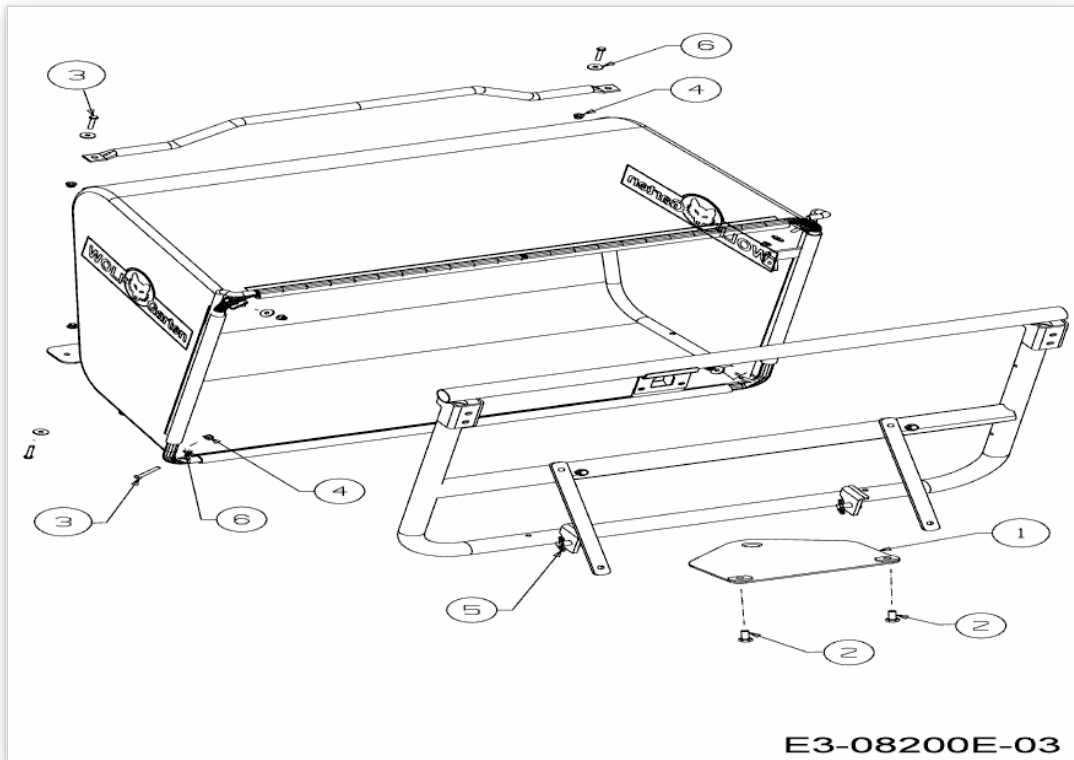
MINIRIDER 60 RDE > 13AA26SC600 (2018) > GRASS CATCHER



Item	Part number	#	Description I	Description II
1	649-05000	1		
3	683-05066B	1		
4	710-04187A	4	SCREW HEX 1/4-15:0.50	FINISH:SPEC-000087 910-04187
5	710-0604A	4	SCR:TT:5/16-18:0.63:HXINDWSH	FINISH:MTD SPEC-100016 TYPE 1
6	710-0809	2	SCR:TT:1/4-20:1.25:HXINDWSH	FINISH:MTD SPEC-100016 TYPE 1
7	710-0895	1	SCR:HL:1/4-15:0.750:HXINDWSH	FINISH:MTD SPEC-100016 TYPE 1
8	710-1652	8	SCR:TT:1/4-20:0.62:HXINDWSH	FINISH:MTD-SPEC-100016 TYPE 1
9	731-09354	1	PLATE:FRAME:BAG:EXP	KUNSTSTOFF SCHWARZ
10	732-05318	2	BRACKET SPRING	FINISH:SPEC-100015
11	747-06489	1		
12	749-05000	1		
13	749-05002	1		
14	750-0566A	2	SPCR:0.255 X 0.376 X 1.030 LG	FINISH:MTD SPEC-100015
15	764-04152A	1	SLEEVE OPENING COVER	FINISH:
16	764-05000	1	GRASSBAG:24":CR12	FINISH: SCHWARZ
17	783-08006	1		
18	783-08155	1		
19	783-08203	1		
20	783-08218	1	BRKT:SW:STRIKER	FINISH:701-01006

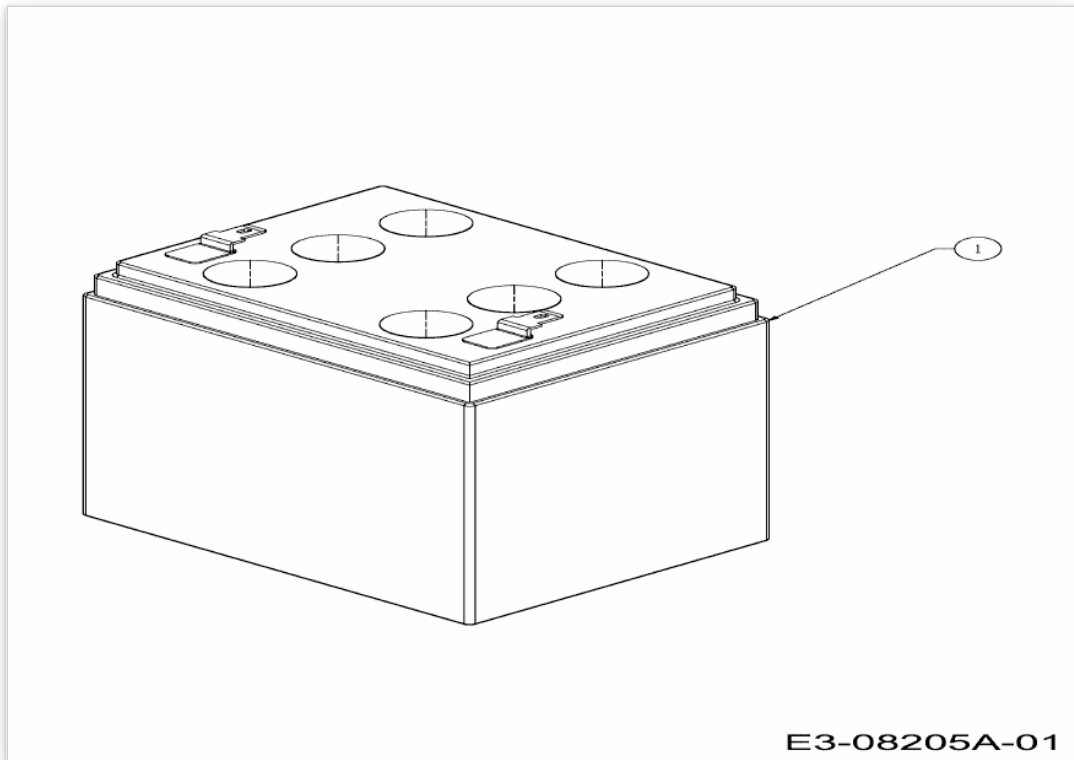


MINIRIDER 60 RDE > 13AA26SC600 (2018) > COUPLING, SCREW SET GRASS BAG



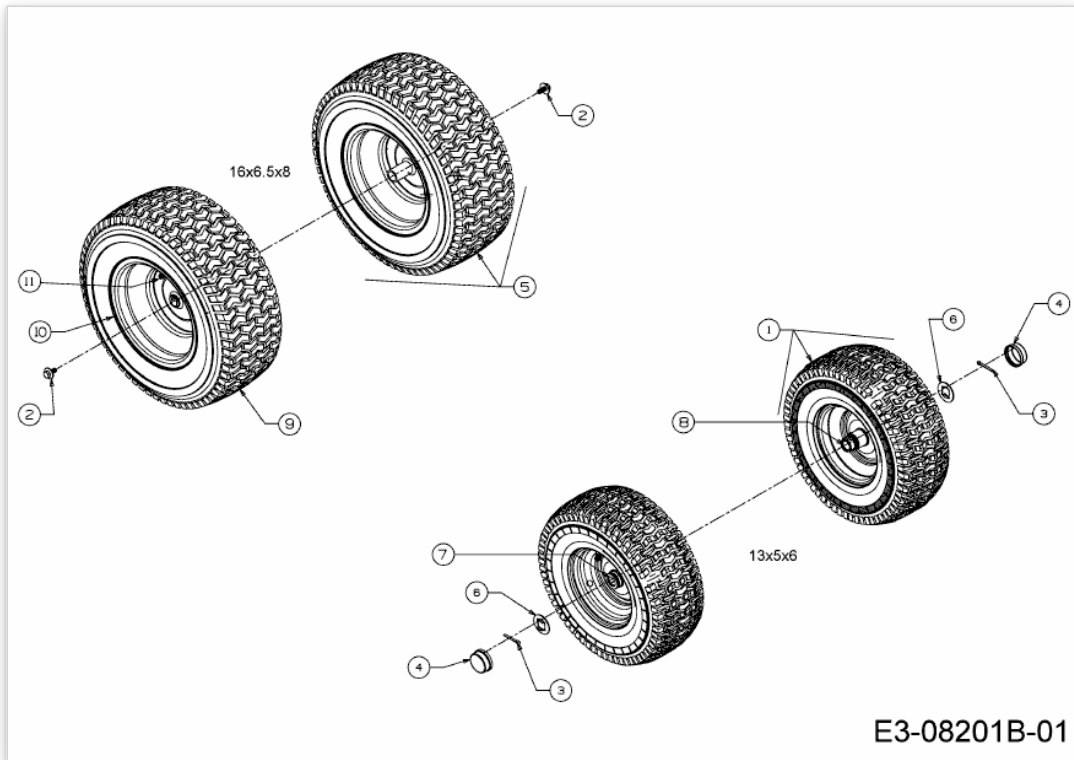
Item	Part number	#	Description I	Description II
1	683-05376	1		
2	710-0604A	2	SCR:TT:5/16-18:0.63:HXINDWSH	FINISH:MTD SPEC-100016 TYPE 1
3	710-1798	8	HHCS:M5x30:DIN 933-8.8 Zn5glcB	FINISH:SPEC-100015 21.1441.29
4	712-0642	8	NUT:FLGLK:M5-0.8	FINISH:DIN 6926
5	714-04040	2	PIN-COTTER	FINISH:ASTM F1941 FE/ZN 3AN
6	736-0400	8	WASH:FLAT:0.196 x0.640 x0.063	FINISH:MTD SPEC-100015

MINIRIDER 60 RDE > 13AA26SC600 (2018) > BATTERY



Item	Part number	#	Description I	Description II
1	725-04903	1	BATT:12VOLT:4.0AH	FINISH: N/A

MINIRIDER 60 RDE > 13AA26SC600 (2018) > WHEELS 13X5X6; 16X6,5X8



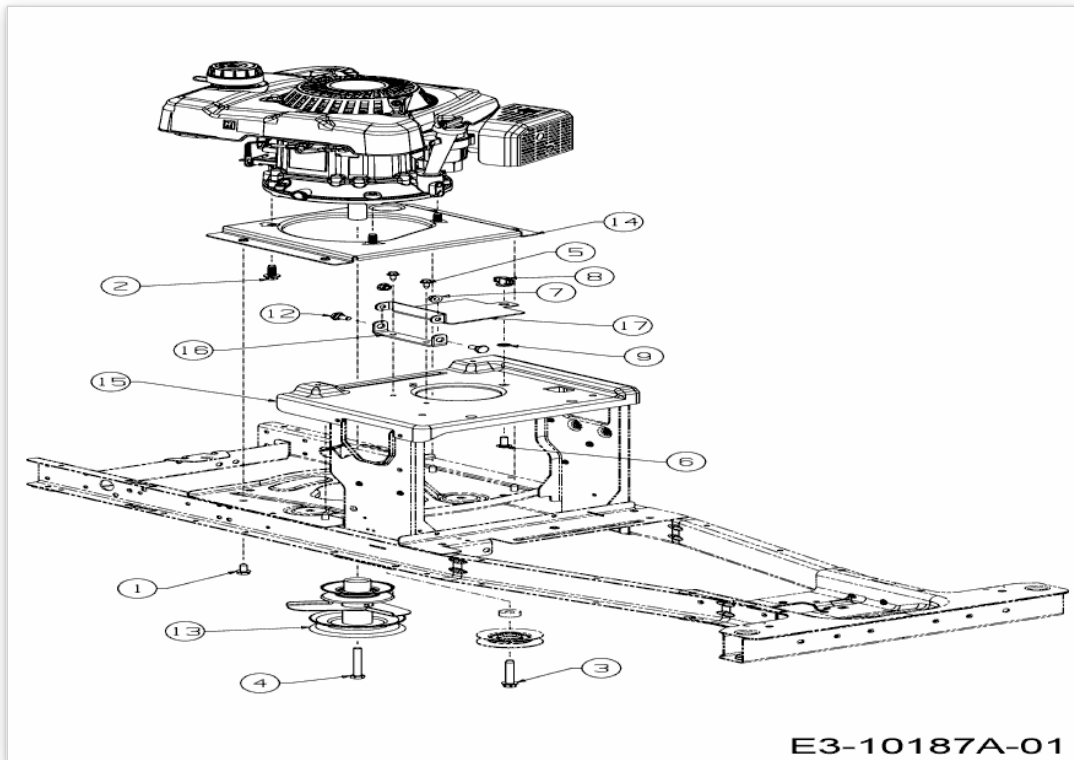
Item	Part number	#	Description I	Description II
1	634-04732	2	WHEEL CPL. 13X5X6 OYSTER GREY	634-04732
2	710-05339A	2	HHCS:5/16- 24:..750:GR5:SEMS	FINISH:MTD STD SPEC-101617
3	714-0162	2	PIN-COTTER:5/32:1.25	FINISH:MTD SPEC-100015
4	731-0484A	2	CAP:HUB	KUNSTSTOFF SCHWARZ 931-0484A
5	734-0591662	2	WHEEL CPL. GREY 16X6.5-8	734-0591662
6	736-04228B	2	WASH:FL:.781 ID x1.590 OD:SPCL	SPECIAL:FINISH SPEC-701-100015
7	741-0516B	2	FLANGE BEARING .760x1.00x1.20	FINISH:SCHWARZ
8	741-0990B	2	BEARING FLANGE WITH GREASE	m.SCHMIERNIPPEL:FINISH SCHWARZ
9	734-04641	2	TIRE:16.0X6.50-8.00:SQ SH:DEL1	FINISH:
10	634-04174662	2	RIM ASM-8.0X5.38 w/VALVE	OYSTER GRAU 788-0662
11	734-0255	2	VALVE - TUBELESS AIR	TR 412-P / 32.6mm / 934-0255



Item	Part number	#	Description I	Description II
1	683-04726	1		
2	683-04727	1		
3	683-04763	1		
4	710-0643	1	HHCS:5/16-18:1.00:GR5:LOCK	FINISH:MTD SPEC-100015
5	710-0703	2	BOLT:CRG:1/4-20:0.75:GR5:STD	FINISH:MTD SPEC-100015
6	711-04448	1	FRL:5/16-24 x .312 DIA	FINISH:ASTM F1941 FE/ZN 3AN
7	712-04063	1	NUT:HEXFLGLK:5/16-18:GRN5:NYL	FINISH:MTD SPEC-100015
8	712-04064	3	NUT:HEXFLGLK:1/4-20:GRN5:NYL	FINISH:SPEC-100015 912-04064
9	714-04040	2	PIN-COTTER	FINISH:ASTM F1941 FE/ZN 3AN
10	714-0507	2	PIN:COT:3/32 X .750	FINISH:MTD SPEC-100015
11	717-1554	1	GEAR:PINION:STRG	FINISH:GEÖLT
12	723-04095B	1	COLUMN ASM UPPER	FINISH:SMOOTH BLACK
13	726-0341	2	CAP	FINISH:SCHWARZ
14	736-0242	1	WASH:BLVL:0.336X0.885X0.060	FINISH:MTD SPEC-100016
16	738-04537A	1	SHF:STRG:.625 OD X 18.03	FINISH:BLACK OXIDE
17	738-05000	1	SCR:SHLDR:0.373X0.143:1/4-20	FINISH:MTD SPEC-100015
18	741-04542A	1	BRG:FLG:HEX:5/8	FINISH:PLAIN
19	741-0660A	4	BRG:FLG:.760 x .941 x 1.0	FINISH:KUNSTSTOFF SCHWARZ
20	747-05514	1	STEERING ROD LH	747-05514
21	747-05585	1	STEERING ROD RH	747-05585
22	747-06638	1	TIE ROD FRONT ADJUSTABLE	747-06638
23	783-06988A	1	GEAR STEERING SEGMENT	783-06988A
24	783-07239A	1	BRACKET LOWER STEERING	783-07239A

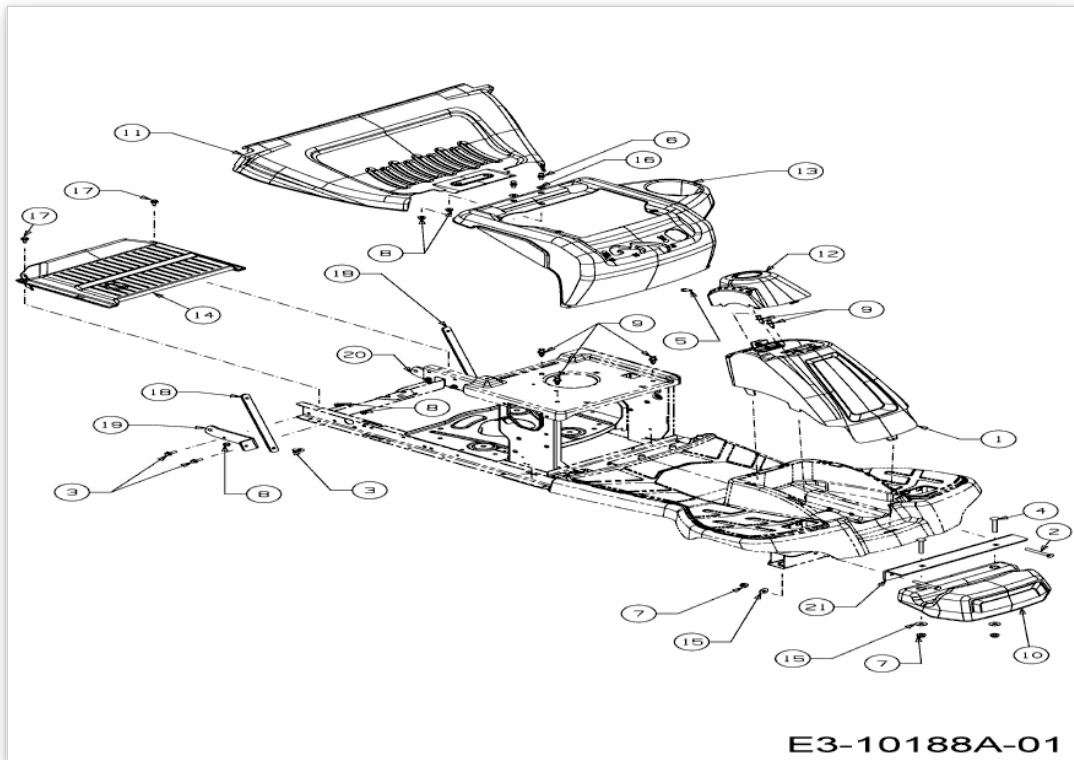


MINIRIDER 60 RDE > 13AA26SC600 (2018) > ENGINE PULLEY, ENGINE ACCESSORIES



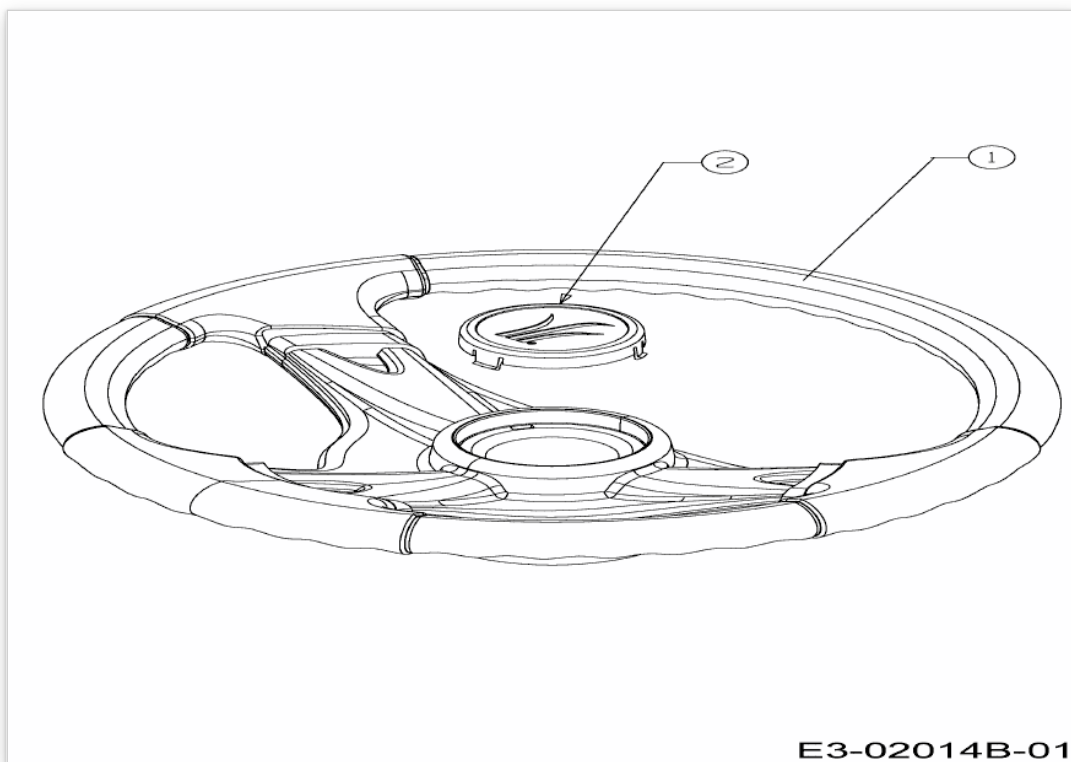
Item	Part number	#	Description I	Description II
1	710-04484	4	SCR:TT:5/16-9:0.75:HXINDWSH	FINISH:MTD SPEC-100016 TYPE 1
2	710-04683C	3	SCR.TT:3/8-16:1.000:HEXINDWSH	FINISH:SIEHE ZG.
3	710-05446	1	SCR:TT:3/8-16:2.250:HXINDWSH	FINISH:MTD SPEC-701-01002
4	710-1273	1	BOLT, HEX HD 5/16-18x2-1/2 LG	3/8-24:2.75:GR5
5	710-1652	2	SCR:TT:1/4-20:0.62:HXINDWSH	FINISH:MTD-SPEC-100016 TYPE 1
6	710-3105	1	BOLT:CRG:5/16-18:0.88:GR1:SNCK	FINISH:MTD SPEC-100015
7	712-04063	2	NUT:HEXFLGLK:5/16-18:GRN5:NYL	FINISH:MTD SPEC-100015
8	712-0421	1	NUT:WING:5/16-18 W/BELL WASH	712-0421
9	726-0201	1	RET:PUSH-ON:BOLT:5/16-18	MECHANISCH VERZINKT:SIEHE ZG.
12	738-0140	2	SCR:SHLDR:0.439X0.175:5/16-18	FINISH:MTD SPEC-100015
13	756-05002	1	PUL:ENG:4.46 DIA/3.39 DIA	Ø4.46/Ø3.39:FINISH SIEHE ZG.
14	783-07403	1		
15	783-09184	1		
16	783-09330A	1		
17	783-09331	1		

MINIRIDER 60 RDE > 13AA26SC600 (2018) > FRONT WEIGHT, COVER PANELS



Item	Part number	#	Description I	Description II
1	631-05038	1	COVER CHAIN/BAR	631-05038
2	710-0378	2	HHCS:5/16-18:2.50:GR5:STD	FINISH:MTD SPEC-100015
3	710-04666	6	HHFLG:1/4-20:.75:GR5	FINISH:MTD SPEC-701-010015
4	710-0572	2	BOLT:CRG:5/16-18:2.50:GR1:SPEC	FINISH:MTD SPEC-100015
5	710-0924	1	SCR:MACH:1/4-20:0.750 PANPHI	FINISH:MTD STD 701-01000
6	711-04069	2	PIN:GRASSCATCHER:1/4-20	1/4-20:SPC 701-01006 911-04069
7	712-04063	4	NUT:HEXFLGLK:5/16-18:GRN5:NYL	FINISH:MTD SPEC-100015
8	712-04064	8	NUT:HEXFLGLK:1/4-20:GRN5:NYL	FINISH:SPEC-100015 912-04064
9	728-0199	5	RIVET (2-PARTS): .3125	PLASTIK SCHWARZ
10	731-09227	1	COUNTER WEIGHT	731-09227
11	731-09302	1	BAFFLE REAR	731-09302
12	731-09382	1	COVER STEERING	731-09382
13	731-09396B	1	FENDER ASM.	731-09396B
14	731-12695	1	PLATE SKID	731-12695
15	736-0159	4	WASH:FLAT:0.339X0.890X0.063	FINISH:MTD SPEC-100015
16	736-3020	2	SCHEIBE:FL:0.261 x0.640 x0.050	FINISH:MTD SPEC-100015
17	738-04184A	2	SCR:SHLDR:.368x.113:TT:1/4-20	:1/4-20 / FINISH:701-01002
18	783-07314	2		
19	783-07319A	1	PLATE BAG MOUNT RH	783-07319A
20	783-07376A	1	PLATE BAG MOUNT LH	783-07376A
21	783-08135	1		

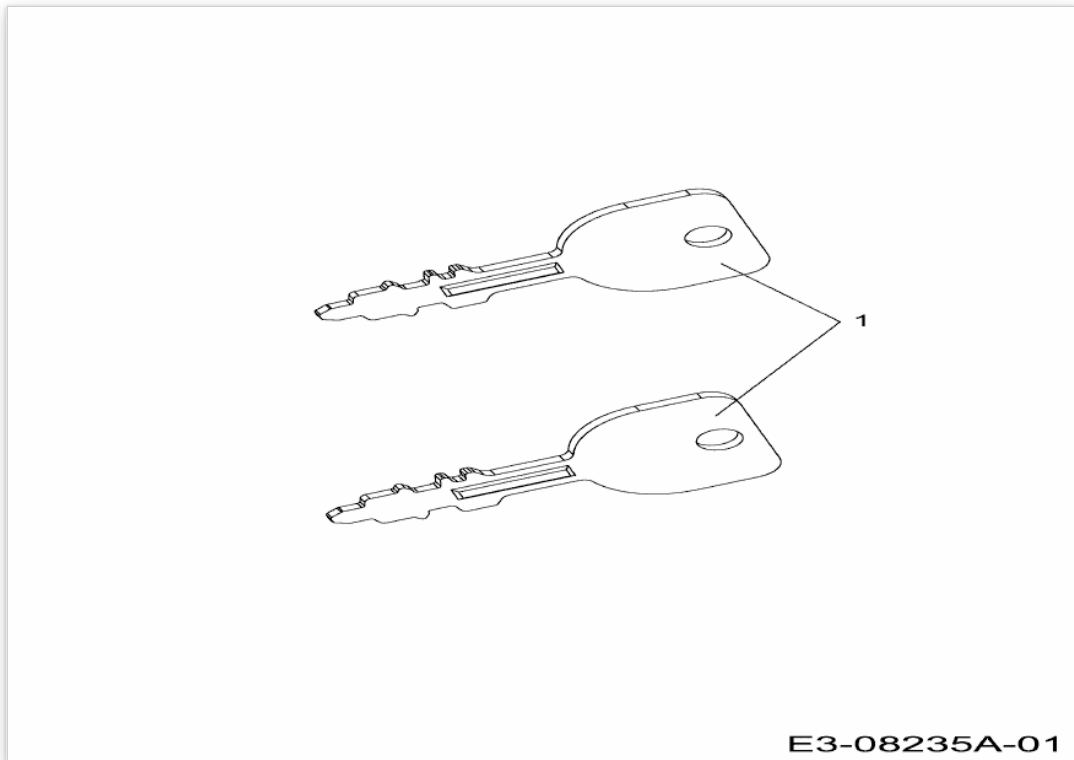
MINIRIDER 60 RDE > 13AA26SC600 (2018) > STEERING WHEEL



E3-02014B-01

Item	Part number	#	Description I	Description II
1	631-04028	1	WHL ASM:STRG:3 SPOKE STD GRIP	STD GRIP:FINISH SCHWARZ
2	731-04040	1	CAP:SPRIG:SMALL	Ø 60mm:KUNSTSTOFF SCHWARZ

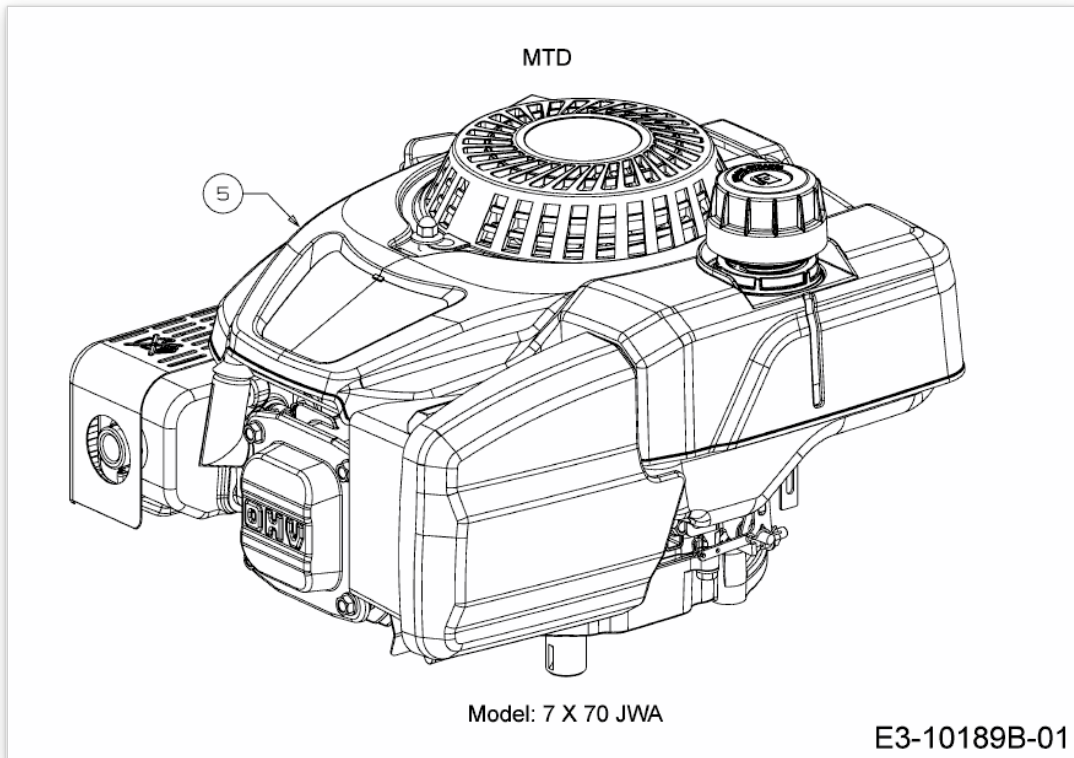
MINIRIDER 60 RDE > 13AA26SC600 (2018) > IGNITION KEY



Item	Part number	#	Description I	Description II
1	725-1744A	2	KEY:SW:UNIVERSAL	FINISH:



MINIRIDER 60 RDE > 13AA26SC600 (2018) > ENGINE MTD



Item	Part number	#	Description I	Description II
5	752Z7X70JWA	1	ENGINE	752Z7X70JWA

777D21419



777D22223



777D21408



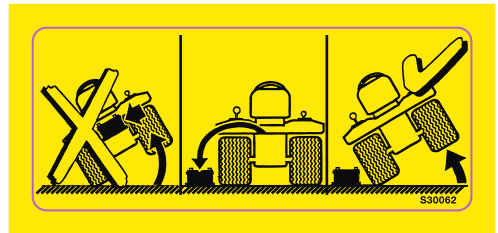
777D21418



777S35300



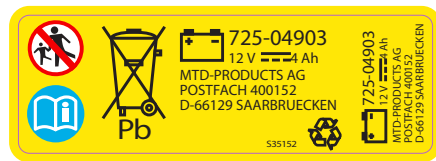
777S30062



777S35375



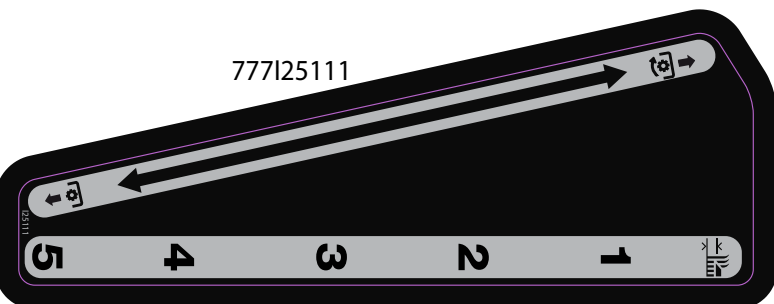
777S35152



777S30073

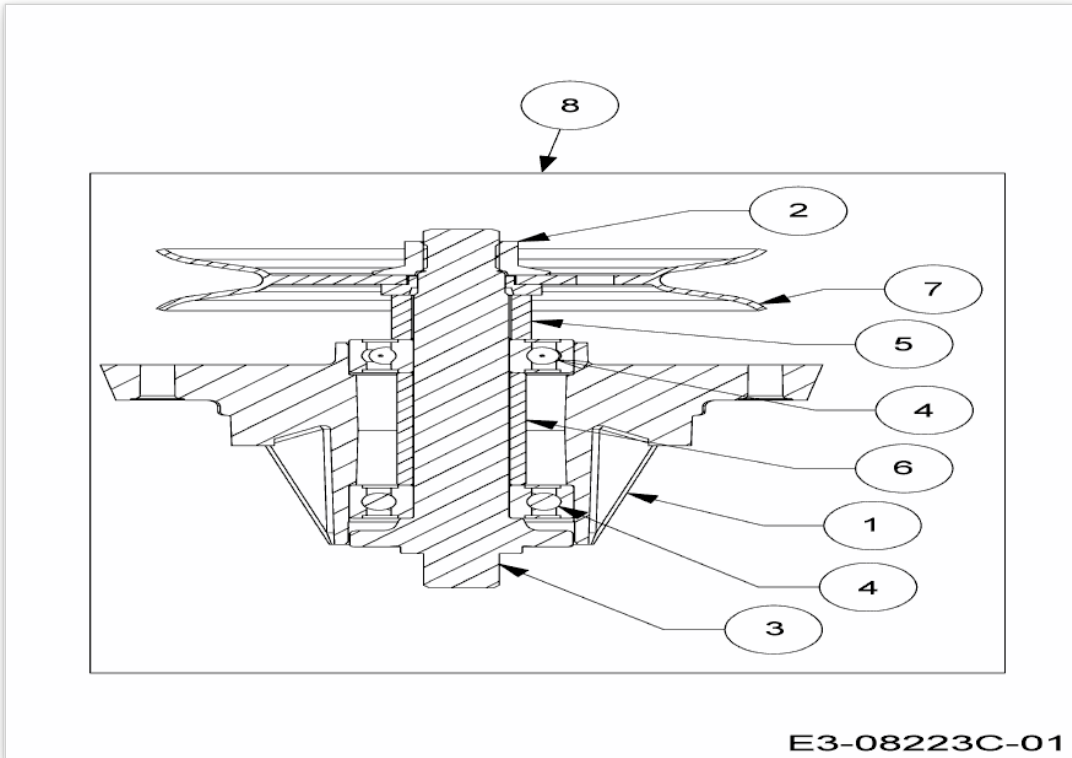


777I25111



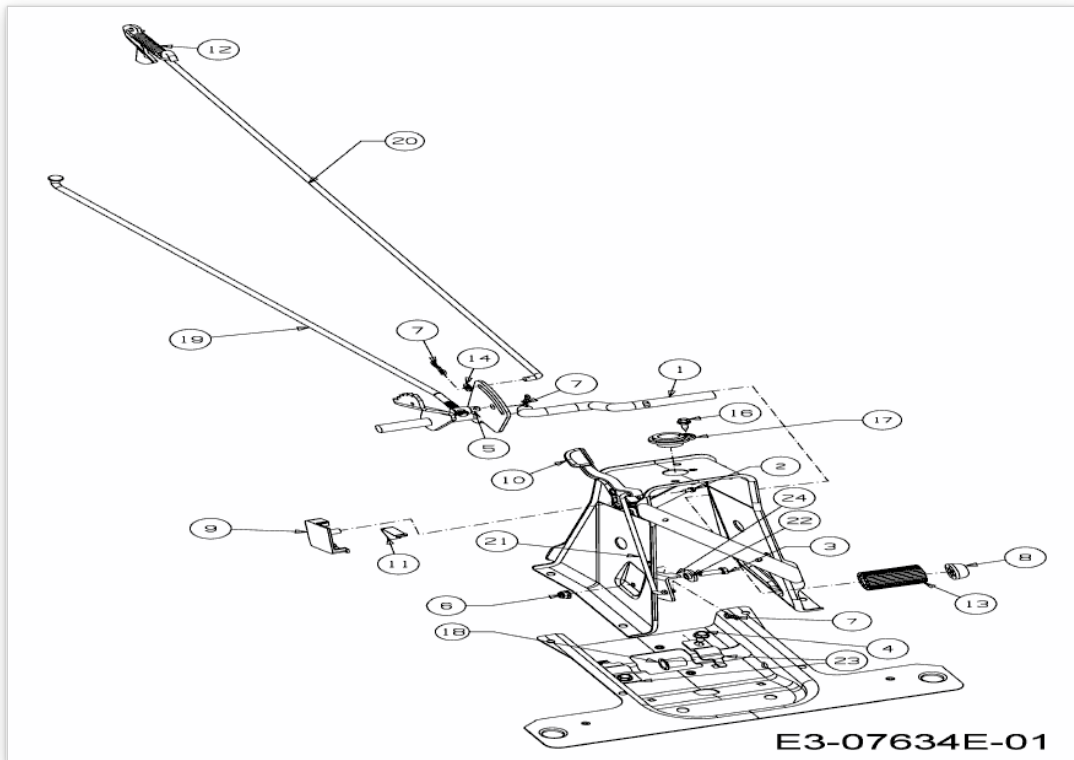
777X49268





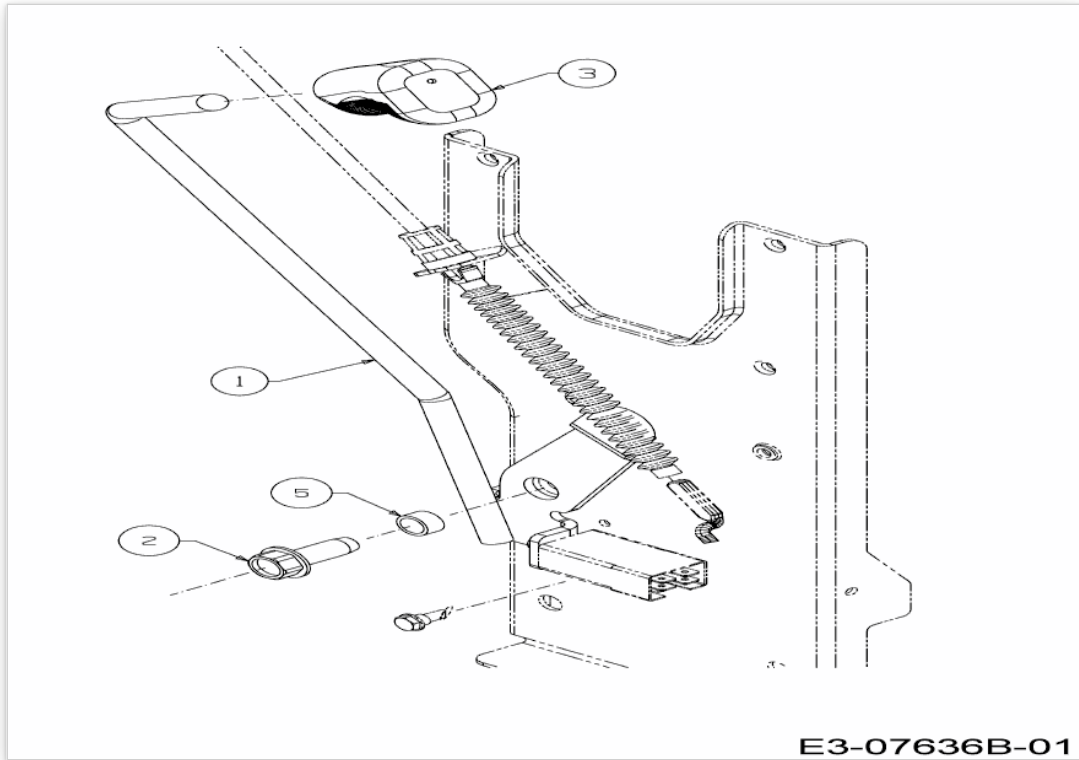
Item	Part number	#	Description I	Description II
1	618-06032	1	SPINDLE ASSY.	KEILRIEMENSCHLEIBE 5.0 DIA
2	712-05134	1	NUT:HEXFLG:5/8-18:GR2	FINISH:MTD SPEC-100015+WAX
3	738-0933	1	SHFT:SPINDLE:5.25 LG.	FINISH:GEÖLT
4	741-0919B	2	BRG:BALL: .787ID x 1.85 ODx.551	FINISH:
5	748-0433	1	SPCR:0.815 x 1.155 x 0.735	FINISH:GEÖLT
6	750-04936	1	SPCR:.790x1.065x1.864 LG	FINISH:GEÖLT
7	756-0969	1	PUL:DECK 5.0 DIA	FINISH:SIEHE ZG.

MINIRIDER 60 RDE > 13AA26SC600 (2018) > BRAKE ROD, CONTRIOL ROD, PEDAL



Item	Part number	#	Description I	Description II
1	683-05017B	1		
2	710-0224	1	SCR:AB:#10-16:0.50:HXINDWSH	FINISH:MTD SPEC-100016 TYPE 1
3	710-0376	1	HHCS:5/16-18:1.00:GR5:STD	FINISH:MTD SPEC-100015
4	710-04484	2	SCR:TT:5/16-9:0.75:HXINDWSH	FINISH:MTD SPEC-100016 TYPE 1
5	711-06103	1	FRL:ADJ:3/8-24X0.375X0.197	FINISH:MTD SPEC-100015
6	712-04063	1	NUT:HEXFLGLK:5/16-18:GRN5:NYL	FINISH:MTD SPEC-100015
7	714-04040	3	PIN-COTTER	FINISH:ASTM F1941 FE/ZN 3AN
8	726-0214	1	CAP:PUSH 5/8	FINISH:SCHWARZ
9	731-08656A	1	SHIELD PEDESTAL AIR	731-08656A
10	731-08743B	1	LEVER ASSY-SHIFT	731-08743B
11	732-04937	1	SPR:SHIFT	FINISH:SPEC-100015
12	732-0716D	1	SPR:EXTN: .59 OD x 4.00 LG	FINISH:MTD STD 701-01006
13	735-04279	1	PAD FOOT	735-04279
14	736-0264	1	WASH:FLAT:0.320X0.640X0.064	FINISH:SPEC-100015 936-0264
16	738-04184A	1	SCR:SHLDR:.368x.113:TT:1/4-20	:1/4-20 / FINISH:701-01002
17	741-0356A	1	BRG:STRG COL:.880 ID x 1.36 OD	FINISH:KUNSTSTOFF SCHWARZ
18	741-05135	1	FLANGE BEARING .626X.938X.875	741-05135
19	747-05506	1	ROD VARIABLE SPEED	747-05506
20	747-06033A	1	ROD:BRAKE	747-06033A
21	747-06449	1	ROD SPEED CONTROL SELECTOR	747-06449
22	748-0234	1	SPCR:SHLDR:0.315X0.500X0.140	FINISH:ROSTPREVENTION
23	783-05940	2	BRKT:SUPT:PEDAL STRAP 5/8	FINISH:MTD SPEC-100015
24	783-08116B	1		

MINIRIDER 60 RDE > 13AA26SC600 (2018) > DECK ENGAGEMENT

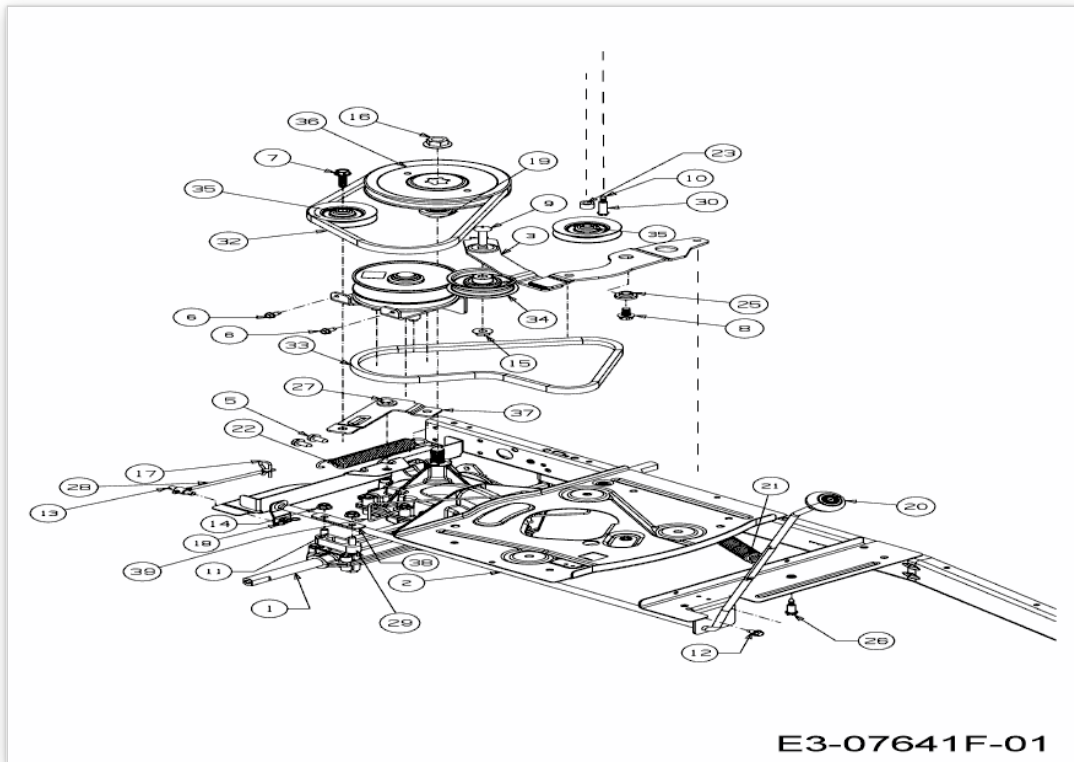


E3-07636B-01



Item	Part number	#	Description I	Description II
1	683-04754	1		
2	710-04683	1	SCR:TT:3/8-16:1.000:HXINDWSH	FINISH:MTD SPEC-701-01002
3	720-04049A	1	GRIP:HNDL:3/8	FINISH:SCHWARZ
5	750-0526	1	SPCR:0.382 X 0.503 X 0.265	FINISH: MTD SPEC-100015

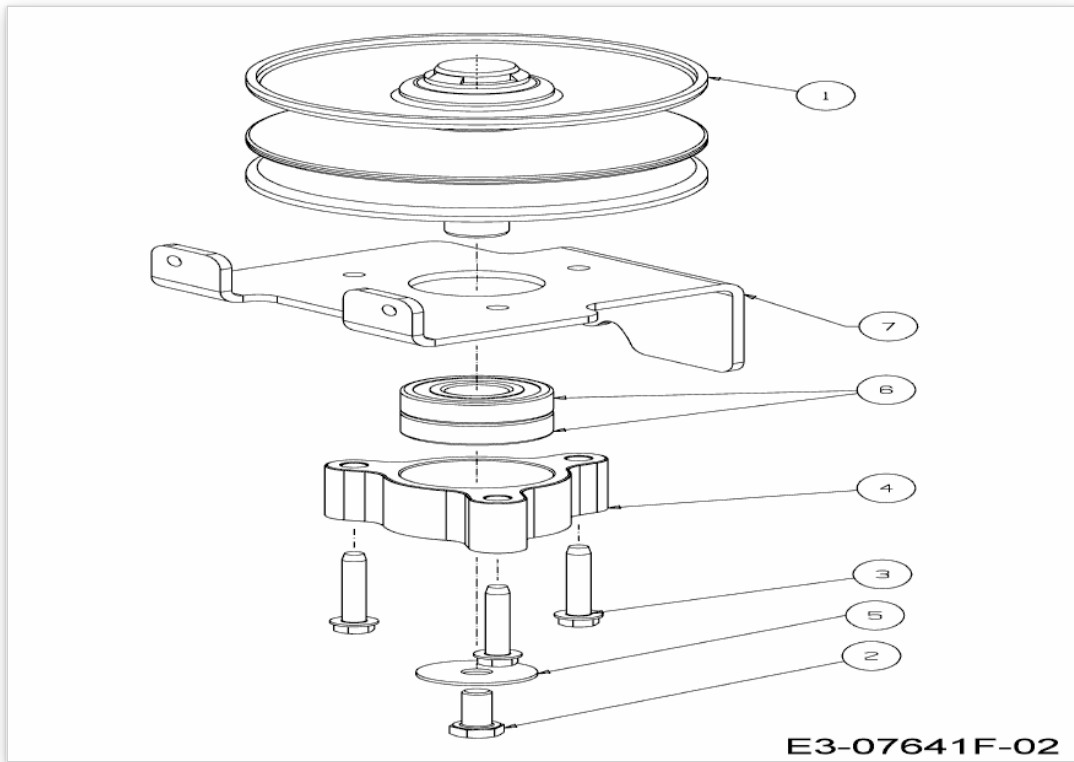
MINIRIDER 60 RDE > 13AA26SC600 (2018) > DRIVE SYSTEM



Item	Part number	#	Description I	Description II
1	618-05056C	1	TRANS ASM:SNGL SPD	618-05056C
2	647-05114	1	SHFT ASM:PIVOT	647-05114
3	683-04768A	1		
5	710-04484	2	SCR:TT:5/16-9:0.75:HXINDWSH	FINISH:MTD SPEC-100016 TYPE 1
6	710-0599	2	SCREW:TT:1/4-20:0.500:HXINDWSH	FINISH:MTD SPEC-101617
7	710-06016	1	SCR:TT:3/8-16:1.38:HXINDWSH	FINISH:SPEC-100016 TYPE 1
8	710-0623	1	SCR:TT:3/8-16:.75:HXINDWSH	FINISH:MTD SPEC-100016 TYPE 1
9	710-06234	1	BOLT:CRG:3/8-16:1.69:GR5:SNCK	FINISH:MTD SPEC-100015
10	710-1026	1	SCREW:TT:1/4-20:1.750:HXINDWSH	FINISH:MTD-SPEC-100016
11	710-1266	4	SCREW HHCS:5/16-18:3.5:GR5:STD	FINISH:MTD SPEC-100015
12	710-1652	1	SCR:TT:1/4-20:0.62:HXINDWSH	FINISH:MTD-SPEC-100016 TYPE 1
13	711-06141	1	FRL:ADJ: 1/4-20 x 1.00	FINISH:MTD SPEC-100015
14	712-04063	4	NUT:HEXFLGLK:5/16-18:GRN5:NYL	FINISH:MTD SPEC-100015
15	712-04217	1	NUT:HEXFLGLK:3/8-16:GRF:TOPLK	FINISH:MTD SPEC-100015
16	712-0700	1	NUT:HEXFLG:9/16-18:GR2	SPEC-100015+WAX 912-0700
17	714-0209	1	INTERNAL COTTER PIN .125 DIA	SPEC-701-100016 914-0209
18	714-04040	1	PIN-COTTER	FINISH:ASTM F1941 FE/ZN 3AN
19	718-04407	1	HUB:PUL:5/8 SPLINE	VERZAHNUNG
20	720-04039	1	KNOB, SHIFT	FINISH: SCHWARZ
21	732-0459C	1	SPR:EXTN:.94 DIA. x 6.74 LG	FINISH:MTD SPEC-100015
22	732-05573	1		
23	750-05563	1	SPCR:0.375X0.635x0.500	FINISH:MTD SPEC-100015
25	738-0372B	1	SPCR:SHLDR:0.381X0.624X0.200	FINISH:GEÖLT
26	738-05016A	1	SCR:SHLDR:0.366 X 0.740:TT	FINISH:SPEC-000087 (BLACK)
27	738-05019	1	SCR:SHLDR:0.563X0.150:TT	FINISH MTD SPEC-100016
28	747-05593	1	ROD,HYDRO DISENGAGEMENT	747-05593
29	748-0334	2	SPCR:1.750X0.800X0.680:RECT	FINISH:GEÖLT
30	750-04456	1	SPACER:0.255 x 0.376 x 1.420	FINISH:MTD SPEC-100015
32	754-0241A	1	BELT:V-TYP:5L:35.25:POLY	FINISH:SIEHE ZG. 954-0241A
33	754-04331	1	BELT:V TYP:5L:35.27:EPDM	FINISH: SIEHE CHART
34	756-04224	1	PUL:IDLR:FLAT 2.75 OD	BLK ECOAT,PAINT OR SPEC-100015
35	756-04325	2	PUL:IDLR:V-TYPE x 3.06	FINISH:SCHWARZ LACKIERT
36	756-04464	1	PUL:V TYP:6.56 DIA SPUN	FINISH:SIEHE ZG.

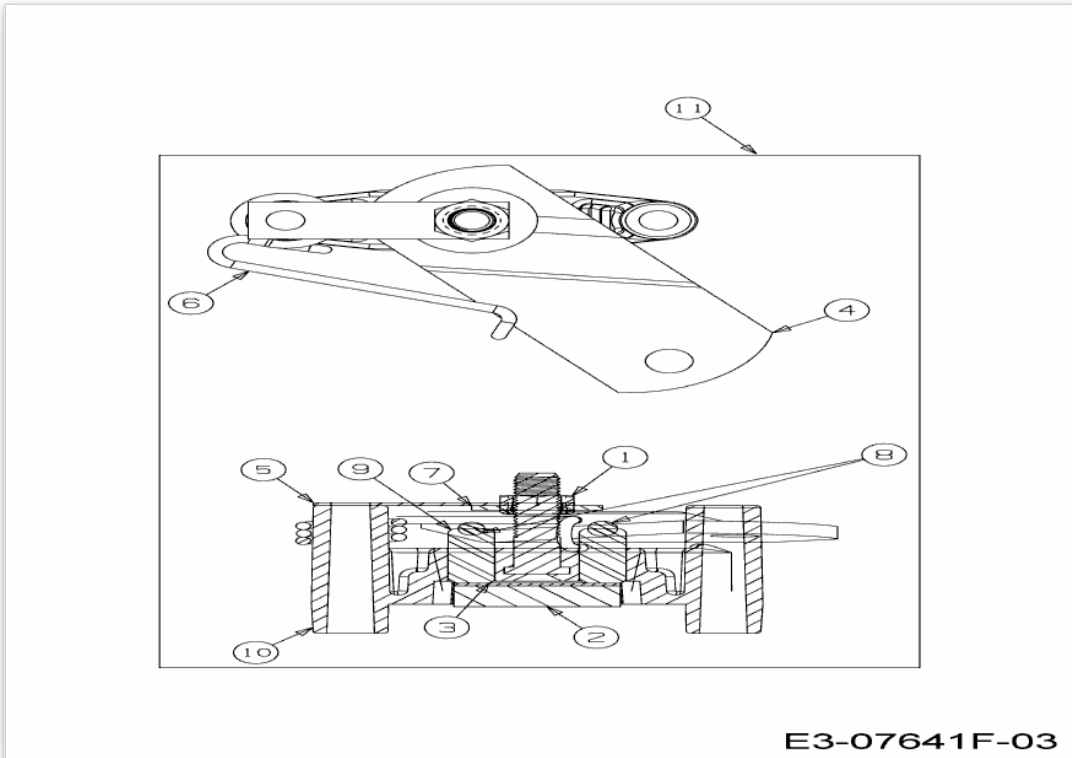
Item	Part number	#	Description I	Description II
37	783-07248A	1	BRACKET ASSY-IDLER	783-07248A
38	783-08131	2		
39	732-05060	1	GUIDE ASSY-BELT	732-05060

MINIRIDER 60 RDE > 13AA26SC600 (2018) > VARIATOR



Item	Part number	#	Description I	Description II
1	656-04015B	1	PUL ASM:VAR SPD:4.75 OD	FINISH:
2	710-0627	1	HHCS:5/16-24:0.75:GR5:LOCK	FINISH:MTD SPEC-100015
3	710-0778	3	SCR:TT:1/4-20:1.50:HXINDWSH	FINISH:MTD SPEC-100016 TYPE 1
4	718-04261	1	CUP:BRG	FINISH:ROTSCHUTZ SIEHE ZG.
5	736-0343	1	WASH:FLAT:.320 x 1.250 x.120	FINISH:MTD 701-100015
6	741-0124A	2	BRG:BALL:17x40x12:6203	FINISH:
7	783-08210637	1	BRACKET VARIATOR	783-08210637

MINIRIDER 60 RDE > 13AA26SC600 (2018) > BRAKE

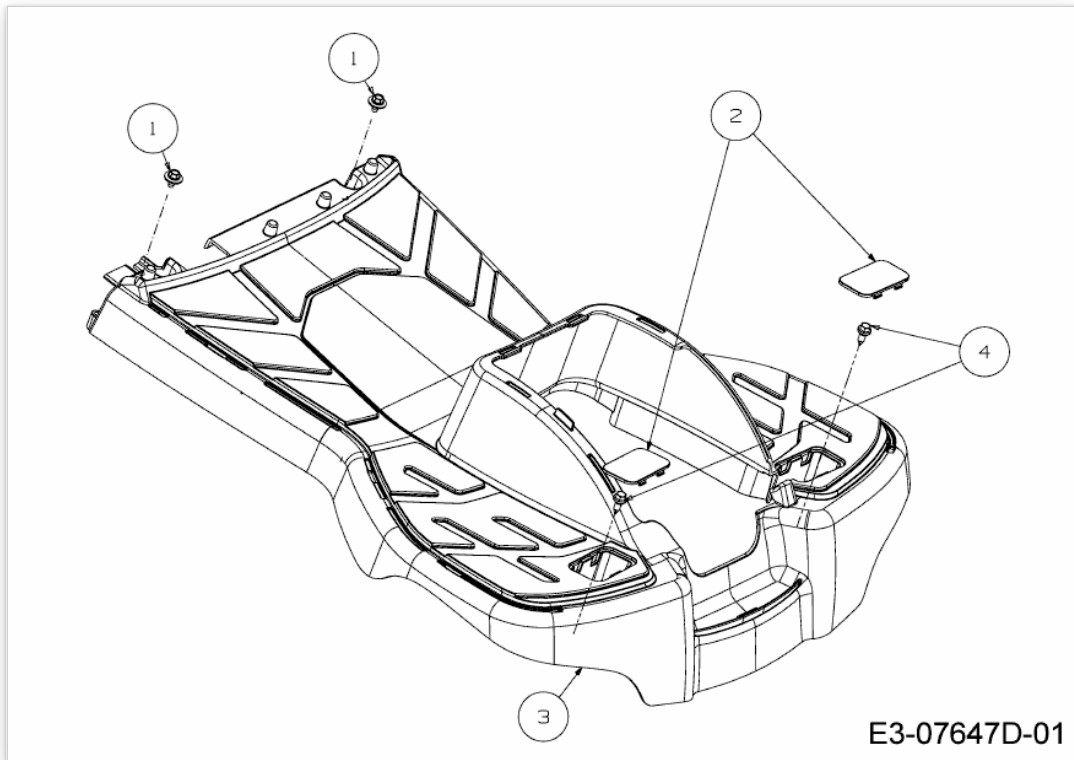


E3-07641F-03

Item	Part number	#	Description I	Description II
1	712-0273	1	NUT:HEXLK:5/16-24:GRN2:NYLON	FINISH:MTD SPEC-100015
2	717-0678	1	BRAKE CORK	FINISH:
3	717-0682	1	PLATE-PUCK	FINISH:NONE 917-0682
4	717-0700	1	ACTR:ARM:BRAKE RH	FINISH:PHOSPHATE & OIL
5	718-0150	1	BRACKET-ANTI ROTATION	FINISH:SPEC-100015
6	732-0742	1	SPR:TORSN:.75 OD X .400 LG	FINISH:SPEC-100016 932-0742
7	736-0371	1	WASH:THRST:0.338X0.885X0.062	FINISH:MTD SPEC-100016
9	741-0343	2	ACTUATING PIN 5/16 DIA	FINISH:SIEHE ZG. 941-0343
10	761-0198A	1	BRAKE YOKE	FINISH:NONE 961-0198A
11	661-0006	1	BRAKE ASM:YOKE:LH	FINISH:

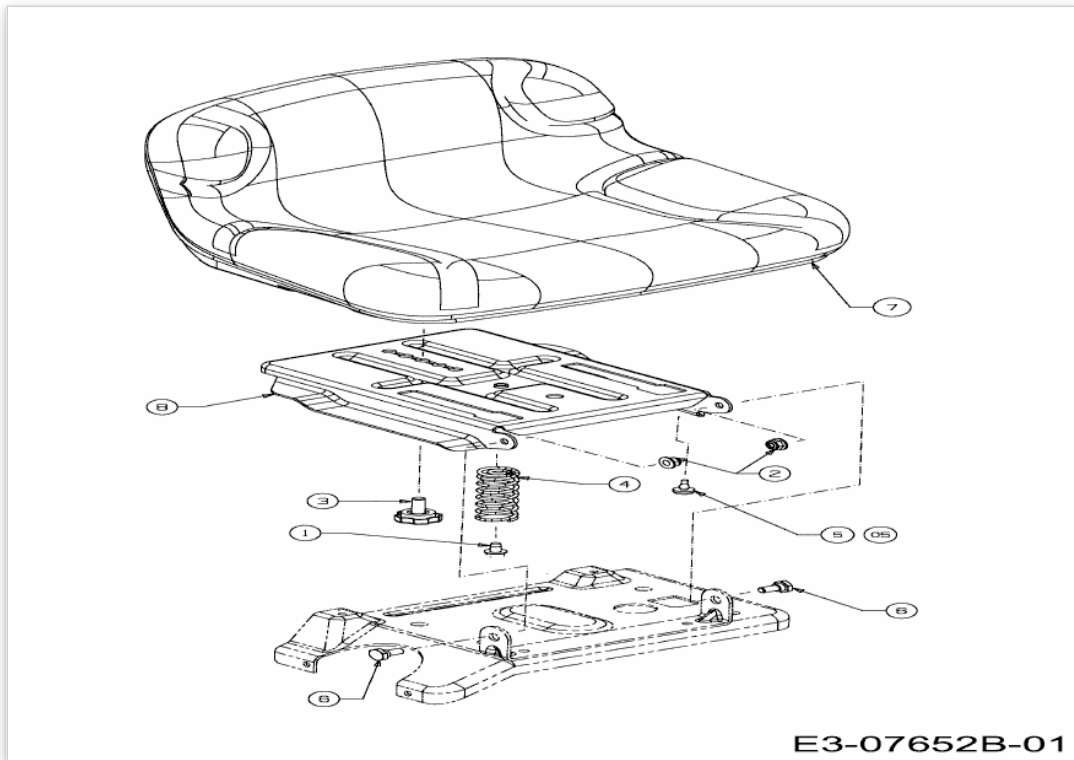


MINIRIDER 60 RDE > 13AA26SC600 (2018) > FOOT PLATE



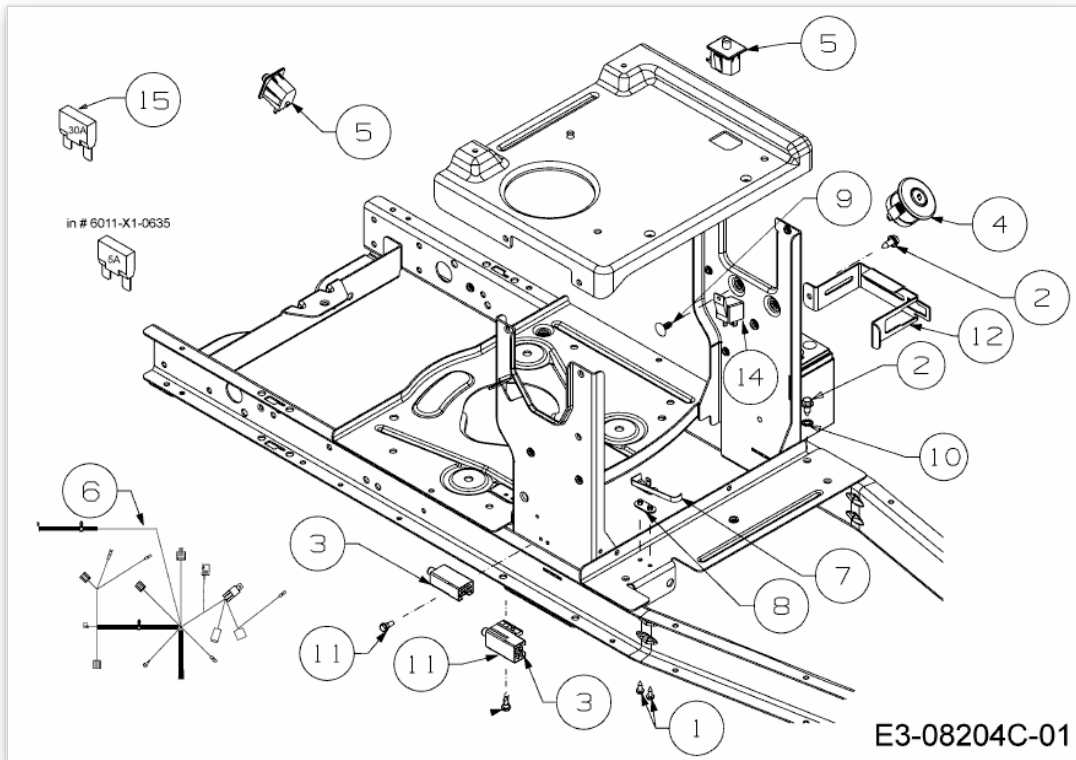
Item	Part number	#	Description I	Description II
1	710-05073	2	SCREW 1/4-20X.50	710-05073
2	731-08753B	2	REAR COVER	731-08753B
3	731-11110	1	BOARD-RUNNING	731-11110
4	738-04184A	2	SCR:SHLDR:.368x.113:TT:1/4-20	:1/4-20 / FINISH:701-01002

MINIRIDER 60 RDE > 13AA26SC600 (2018) > SEAT, SEAT BRACKET



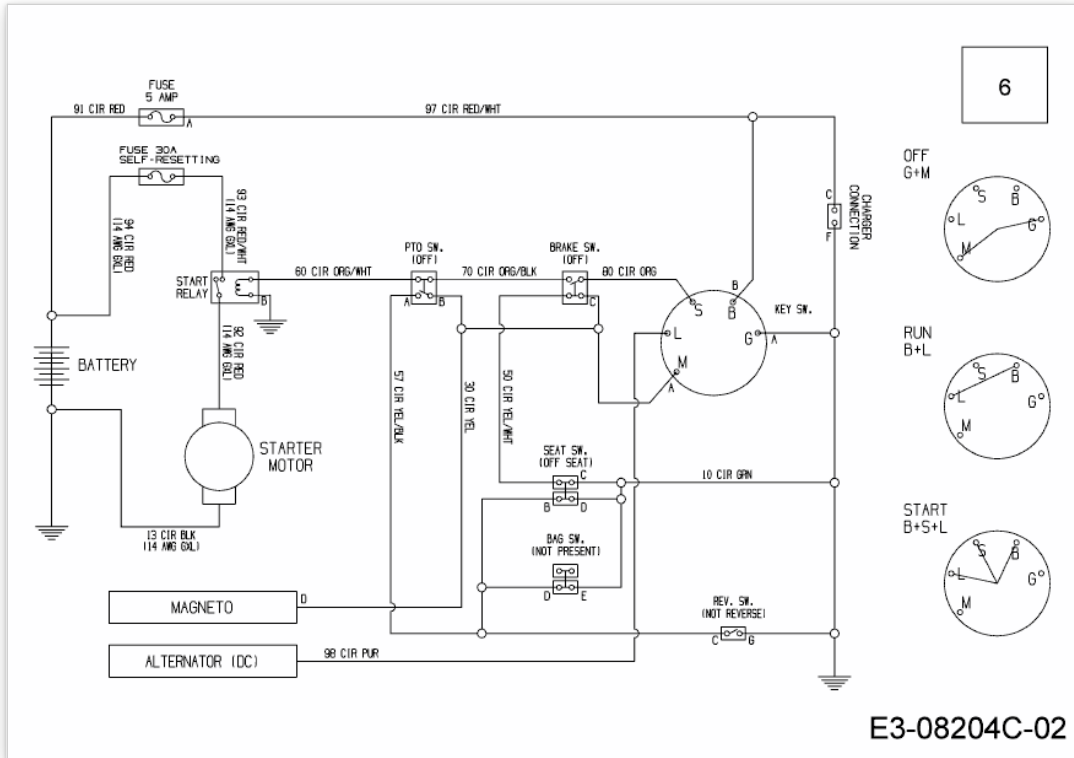
Item	Part number	#	Description I	Description II
1	710-0607	1	SCR:TT:5/16-18:.50:HXINDWSH	FINISH:MTD SPEC-100016 TYPE 1
2	712-04063	2	NUT:HEXFLGLK:5/16-18:GRN5:NYL	FINISH:MTD SPEC-100015
3	720-04009A	1	KNOB:3/8-16:.875	FINISH:SCHWARZ *
4	732-04905	1	SPRING-SEAT	FINISH:SPEC-100015
5	735-0199A	1	BUMPER-RUBBER:.62 OD x.22 THK	FINISH:SCHWARZ 935-0199A
6	738-0140	2	SCR:SHLDR:0.439X0.175:5/16-18	FINISH:MTD SPEC-100015
7	757-04099	1	SEAT:LOW BACK COVENTRY BLACK	LT-5
8	783-07213A	1		

MINIRIDER 60 RDE > 13AA26SC600 (2018) > ELECTRIC PARTS



Item	Part number	#	Description I	Description II
1	710-0227	2	SCR:AB:#8-18:0.50:HXINDWH	FINISH:MTD SPEC-100016 TYPE 1
2	710-1652	2	SCR:TT:1/4-20:0.62:HXINDWSH	FINISH:MTD-SPEC-100016 TYPE 1
3	725-04363	2	SW:INTLK:NO/NC	FINISH:SIEHE ZG.
4	725-04659	1	SWITCH:KEY:3 POS:WHITE PAD	FINISH:
5	725-05013	2	SW:SEAT:N/C,N/C:SHORTING	FINISH:GRAU
6	725-06045B	1	HARN:RR ENG:LWN:ELEC:BAG	725-06045B
7	725-1643	1	SW:SPR:LONG	LANG:FINISH:SPEC-100016
8	726-0320	1	INSULATING PLATE	FINISH:NATUR ODER SCHWARZ
9	726-3046	1	MOUNTING CLIP:.250 DIA	FINISH:KUNSTSTOFF SCHWARZ
10	736-0222	1	WASH:LOCK:1/4:EXTRN	FINISH:MTD STD 701-01001
11	738-04237A	2	SCR:SHLDR:0.250X0.165:T	FINISH:MTD SPEC-100016
12	783-08015A	1		
14	725-04164	1	RLY:12V:20A/40A	HELLA:933332187
15	729-05048	1	CIRCUIT BREAKER 12V 30A	729-05048

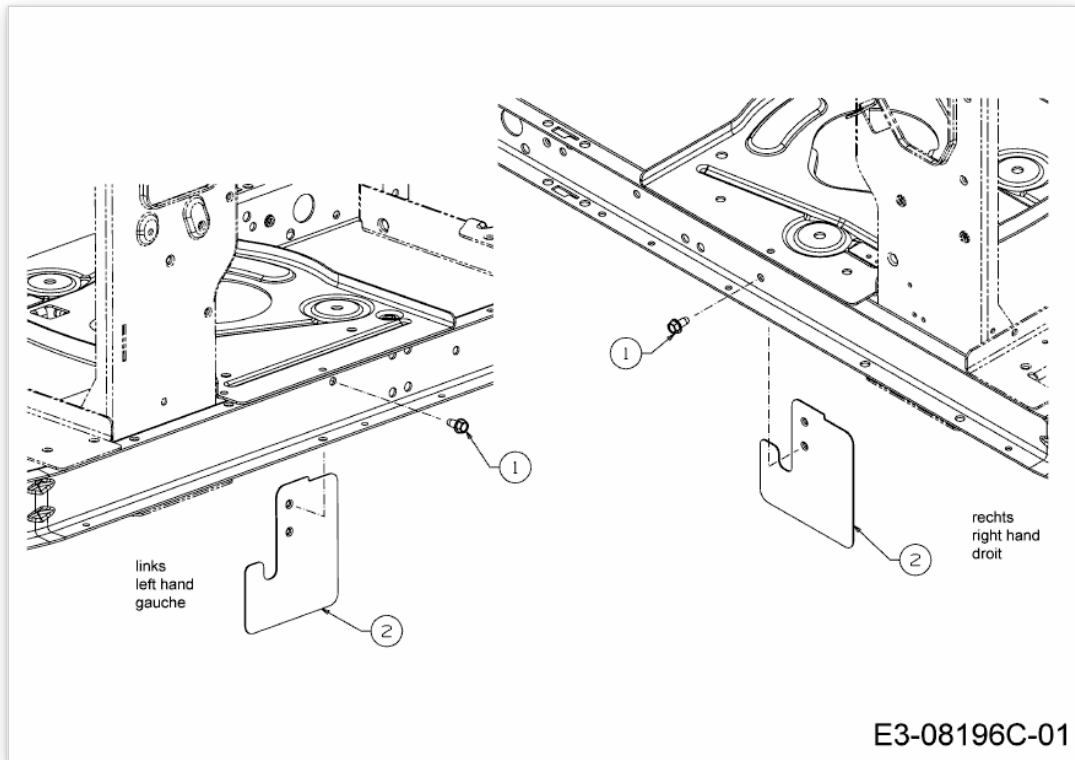
MINIRIDER 60 RDE > 13AA26SC600 (2018) > WIRING DIAGRAM



Item	Part number	#	Description I	Description II
6	725-06045B	1	HARN:RR ENG:LWN:ELEC:BAG	725-06045B

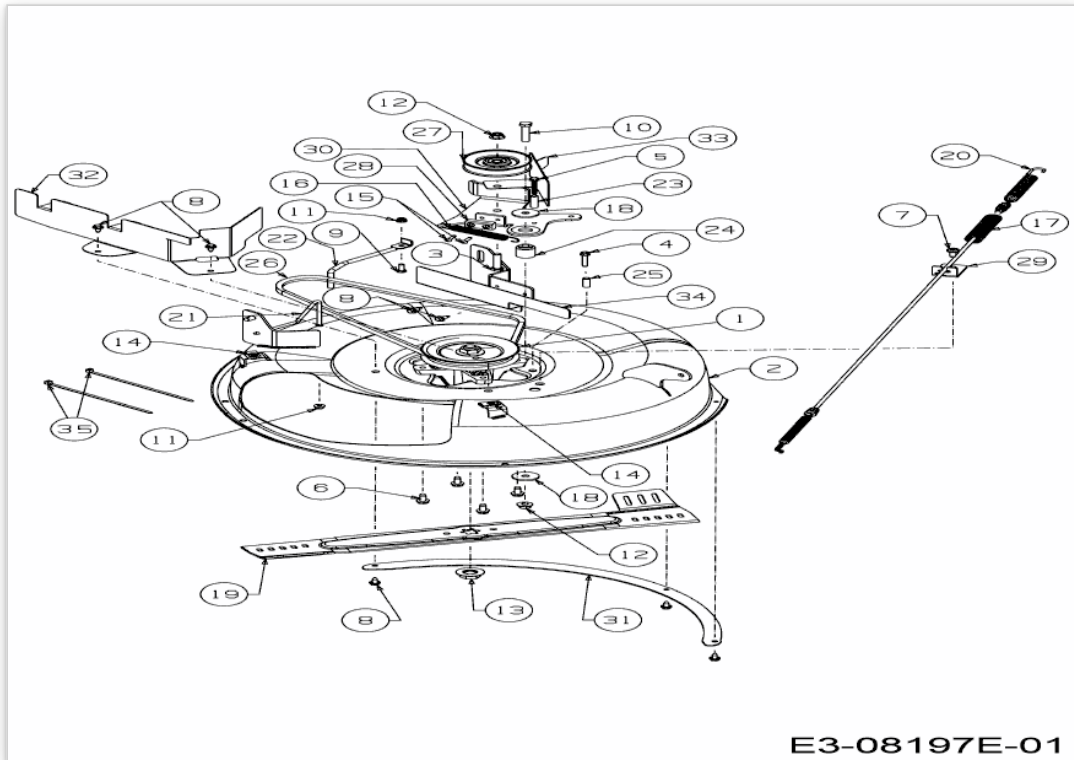


MINIRIDER 60 RDE > 13AA26SC600 (2018) > COVER



Item	Part number	#	Description I	Description II
1	710-0599	2	SCREW:TT:1/4-20:0.500:HXINDWSH	FINISH:MTD SPEC-101617
2	783-08840	2	COVER-HARD TOP	783-08840

MINIRIDER 60 RDE > 13AA26SC600 (2018) > MOWING DECK C (24"/60CM)



E3-08197E-01

Item	Part number	#	Description I	Description II
1	618-06032	1	SPINDLE ASSY.	KEILRIEMENSCHLEIBE 5.0 DIA
2	683-05041	1		
3	710-0347	1	HHCS:3/8-16:1.75:GR5:STD	FINISH:MTD SPEC-100015
4	710-0778	1	SCR:TT:1/4-20:1.50:HXINDWSH	FINISH:MTD SPEC-100016 TYPE 1
5	710-1026	1	SCREW:TT:1/4-20:1.750:HXINDWSH	FINISH:MTD-SPEC-100016
6	710-06322	4	SCR:TT:5/16-18:0.88:HXINDWSH	FINISH:SPEC-100016 TYPE 1
7	710-1611B	1	SCR:TT:5/16-18:0.750:PANTRXI	FINISH:MTD SPEC-100015
8	710-1652	7	SCR:TT:1/4-20:0.62:HXINDWSH	FINISH:MTD-SPEC-100016 TYPE 1
9	710-3015	1	HHCS:1/4-20:0.75:GR5:STD	FINISH:MTD SPEC-100015
10	710-3144	1	HHCS:3/8-16:2.00:GR5:STD	FINISH:SPEC-100015 910-3144
11	712-04064	2	NUT:HEXFLGLK:1/4-20:GRN5:NYL	FINISH:SPEC-100015 912-04064
12	712-04065	2	NUT:HEXFLGLK:3/8-16:GRN5:NYLON	FINISH:SPEC-100015 912-04065
13	712-0417A	1	NUT:FLG:5/8-18	FINISH:MTD STD 701-01000
14	726-0211	2	NUT:CLIP ON:U:5/16-18:U-TYPE	726-0211
15	728-0173	2	RIV:POP: .187 DIA:#68	FINISH:ASTM F1941 FE/ZN 3AN
16	732-0470A	1	EXTENSION SPRING .53 OD X 4.75	FINISH:MTD 701-01006 932-0470A
17	732-0583	1	SPR:CMPRS:.625 ID. X 4.0 LG	FINISH:PHOS & OIL
18	736-0320	2	WASH:FLAT:0.378 x.1.385 x0.135	FINISH:MTD SPEC-100015
19	742-04031	1	BLADE:24":STAR BAGGING	FINISH:LACKIERT MTD QUALITÄT *
20	746-05009	1	CBL:PTO:CR12 24"	FINISH: SIEHE ZG.
21	747-06116	1	KEEPER BELT	747-06116
22	747-06127	1		
23	750-04456	1	SPACER:0.255 x 0.376 x 1.420	FINISH:MTD SPEC-100015
24	750-04859C	1	SPCR:SHLDR:0.383X0.711X0.193	FINISH:ÖL GEDIPPT
25	750-0566A	1	SPCR:0.255 X 0.376 X 1.030 LG	FINISH:MTD SPEC-100015
26	754-05001	1	BELT:V TYP:A SEC:43.5 LG	FINISH: N/A
27	756-05004	1	PUL:3.54" DIA	FINISH:MTD SPEC 100016
28	761-04017	1	PAD:BRAKE:SPINDLE 38 & 42 MAN	FINISH:
29	783-06243	1		
30	783-08183	1	BRACKET:IDLER:RH:DECK	FINISH:SPEC-100015 CR-12
31	783-08186	1		
32	783-08204	1		
33	783-08224	1		

Item	Part number	#	Description I	Description II
34	783-08225	1		
35	725-0157	2	CBL:TIE: 3/16 X .05 X 7.4	MATERIAL:NYLON-SCHWARZ