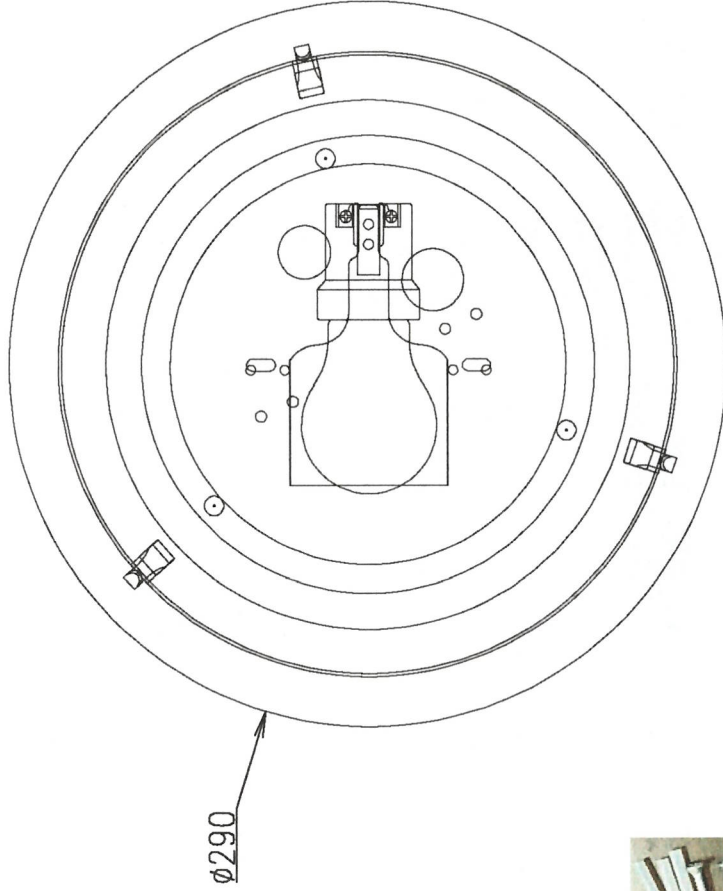


app. 20.03.2023  
Jef Jo



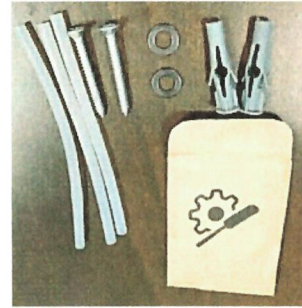
**FINISH: BRIGHT WHITE**  
185361: GLA334  
185361: ARM145IN

**FINISH: SILVER GRAY (PULV182)**  
185363: GLA334  
185363: ARMXXX Ø290X32MM SILVER  
REF: ARM145IN

**FINISH: BLACK**  
185365: GLA334  
185365: ARM158

**NOTES:-**

1. FOR ALL DIMENSIONS WITHOUT SPECIFIED TOLERANCE WILL FOLLOW CLASS 'm'.
2. ITEMS SHOULD BE FREE OF SHARP EDGES UNLESS SPECIFIC
3. ALWAYS CHECK FITMENT & CRITICAL DIMENSIONS.



1. 2X SCH469ZN
2. 2X DIV1925
3. 2X MT1720
4. EE04027300

**EGLO INDIA PRODUCTION PVT. LTD.**  
PLOT NO.- 286 TO 289,IMT BAWAL(HR.)

ALL DIMENSIONS ARE IN MM				SIGN./DATE		PROJECT NO.	
FITMENT	CRITICAL	TOLERANCE CLASS			DRAWN	LZ. NO.	ARTICAL NO.
		n	c	v			
0 > 6	±0.1	±0.3	±0.5	±0.75			185361, 185363, 185365
6 > 30	±0.2	±0.5	±1	±1.5			Assy
30 > 120	±0.3	±0.8	±1.5	±3			Ceiling Lamp 1-Light
				APPROVED			MATERIAL TYPE
							REV. NO.



(R-1)

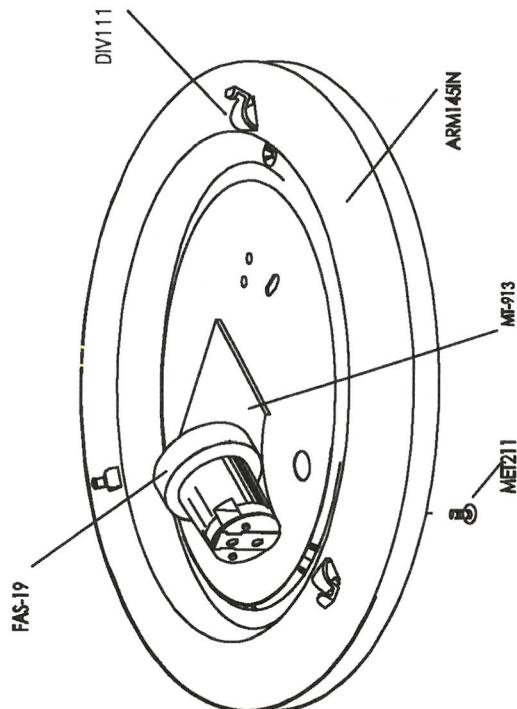
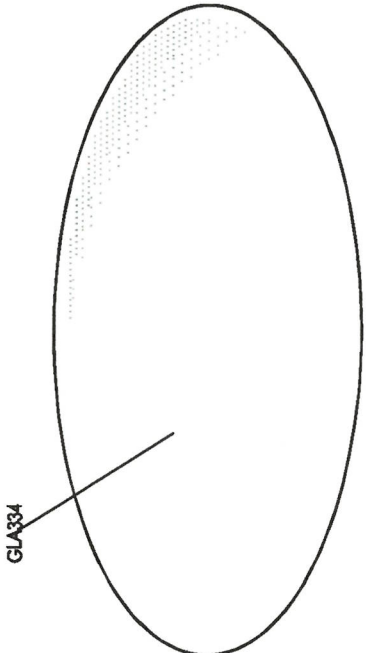
INDIA BOP PART
CHINA BOP PART
INHOUSE PART

*aym - 20.03.2023 JPH*

FINISH: BRIGHT WHITE  
 185361: GLA334  
 185361: ARMI45IN

FINISH: SILVER GRAY (PULV182)  
 185363: GLA334  
 185363: ARMAXX Ø290X32MM SILVER  
 REFF: ARMI45IN

FINISH: BLACK  
 185365: GLA334  
 185365: ARMI58



NOTES:-  
 1. FOR ALL DIMENSIONS WITHOUT SPECIFIED TOLERANCE WILL FOLLOW CLASS 'm'.  
 2. ITEMS SHOULD BE FREE OF SHARP EDGES UNLESS SPECIFIED.  
 3. ALWAYS CHECK FITMENT & CRITICAL DIMENSIONS.



- 1. 2X SCH469ZN
- 2. 2X DIV1925
- 3. 2X MT1720
- 4. EE04027300

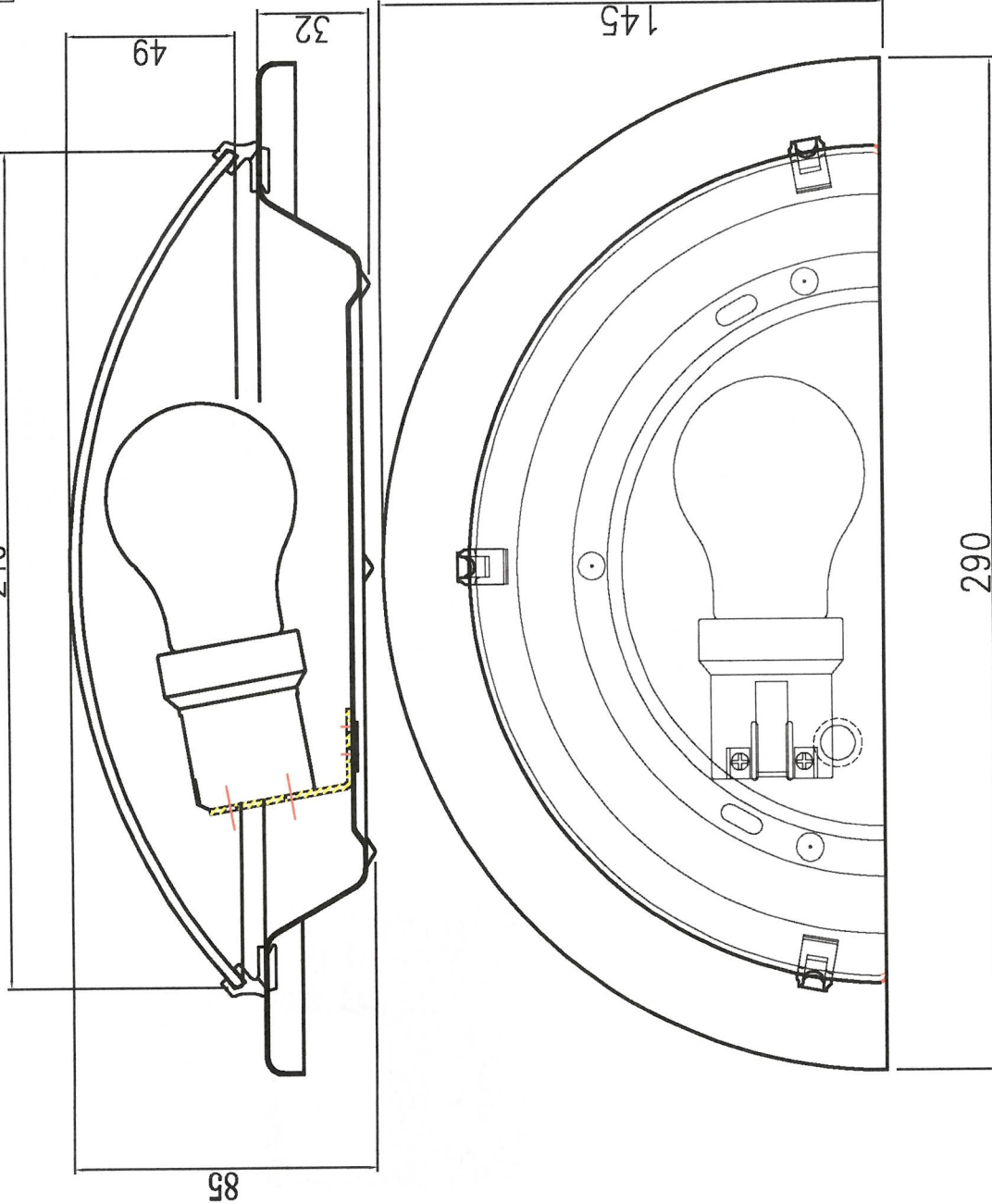
EGLO INDIA PRODUCTION PVT, LTD.  
 PLOT NO.- 286 TO 289, JMT BAWAL (HR.)



ALL DIMENSIONS ARE IN MM				SIGN./DATE		PROJECT NO.	
FITMENT	CRITICAL	TOLERANCE CLASS			LZ. NO.	ARTICAL NO.	PART NAME
		m	c	v			
0 > 6	±0.1	±0.3	±0.5	±0.75	---	185361, 185363, 185365	EXP
6 > 30	±0.2	±0.5	±1	±1.5			Ceiling Lamp 1-Light
30 > 120	±0.3	±0.8	±1.5	±3			
DRAWN				CHECKED		APPROVED	
				DESCRIPTION		MATERIAL TYPE	
				REV. NO.			

(R-1)

240

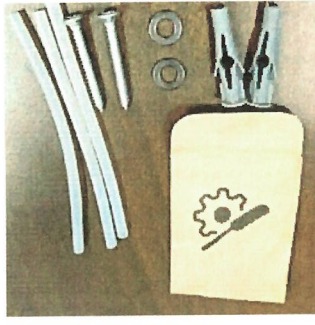


Appn - do. 03.2023  
*Jeff*

FINISH: BRIGHT WHITE  
 185362: GLA657  
 185362: ARM148IN

FINISH: SILVER GRAY (PULV182)  
 185364: GLA657  
 185364: MXXXX 290X145X32MM BASE  
 REFF: ARM148IN

FINISH: BLACK  
 185366: GLA657  
 185366: ARM149IN



1. 2X SC1469ZN
2. 2X DIV1925
3. 2X MT1720
4. EF04027300

NOTES:-

1. FOR ALL DIMENSIONS WITHOUT SPECIFIED TOLERANCE WILL FOLLOW CLASS 'm'.
2. ITEMS SHOULD BE FREE OF SHARP EDGES UNLESS SPECIFIC
3. ALWAYS CHECK FITMENT & CRITICAL DIMENSIONS.

EGLO INDIA PRODUCTION PVT. LTD.  
 PLOT NO.- 286 TO 289, JMT BAWAL (HR.)



ALL DIMENSIONS ARE IN MM				SIGN./DATE	
FITMENT	CRITICAL	TOLERANCE CLASS		DRAWN	PROJECT NO.
		n	c		
0 > 6	±0.1	±0.3	±0.5	±0.75	2023-511
6 > 30	±0.2	±0.5	±1	±1.5	-----
30 > 120	±0.3	±0.8	±1.5	±3	185362, 185364, 185366
				CHECKED	Part Name
				APPROVED	Assy
					Description
					Wall Lamp 1-Light
					Material Type
					REV. NO.



INDIA BOP PART
CHINA BOP PART
INHOUSE PART

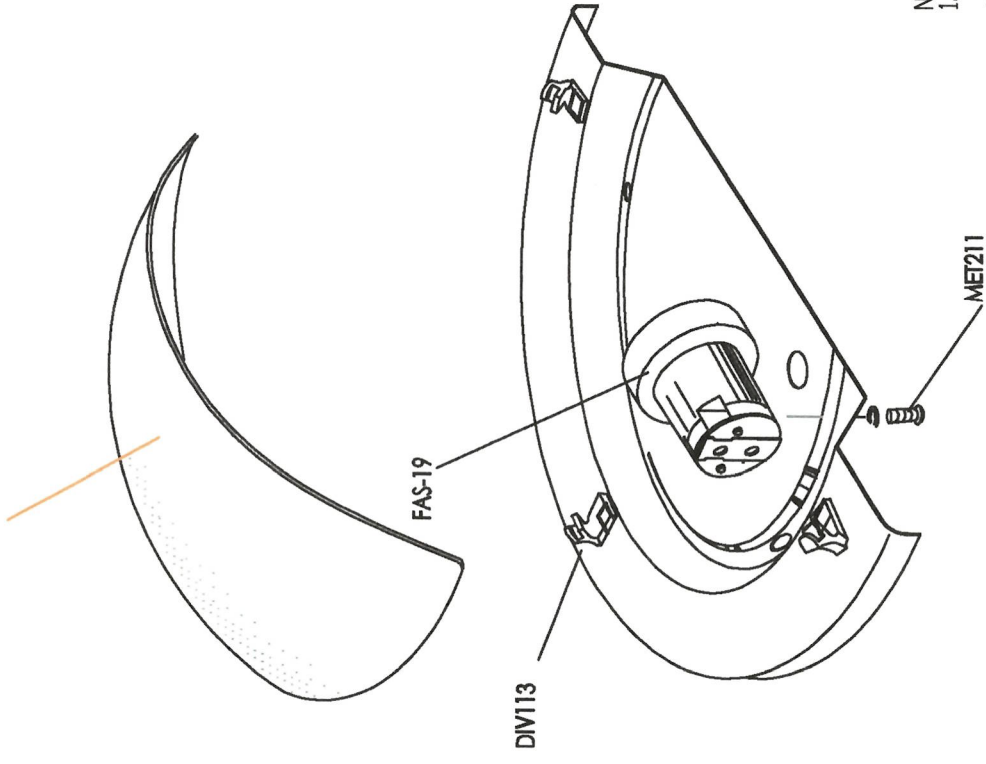
Appn. 20.03.2023

*[Signature]*

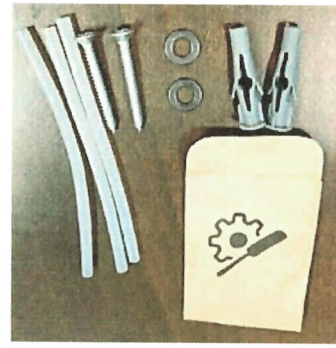
FINISH: BRIGHT WHITE  
 185362: GLA657  
 185362: ARM148IN

FINISH: SILVER GRAY (PULV182)  
 185364: GLA657  
 185364: MTXXXX 290X145X32MM BASE  
 REFF: ARM148IN

FINISH: BLACK  
 185366: GLA657  
 185366: ARM149IN



- NOTES:-
- FOR ALL DIMENSIONS WITHOUT SPECIFIED TOLERANCE WILL FOLLOW CLASS 'm'.
  - ITEMS SHOULD BE FREE OF SHARP EDGES UNLESS SPECIFIED.
  - ALWAYS CHECK FITMENT & CRITICAL DIMENSIONS.



1. 2X SCH469ZN
2. 2X DIV1925
3. 2X MT1720
4. EE04027300

EGLO INDIA PRODUCTION PVT. LTD.  
 PLOT NO.- 286 TO 289, JMT BAWAL (HR.)

ALL DIMENSIONS ARE IN MM				SIGN./DATE	PROJECT NO.
FITMENT	CRITICAL	TOLERANCE CLASS		LZ. NO.	ARTICAL NO.
DIM. RANGE	m	c	v	r	PART NAME
0 > 6	±0.1	±0.3	±0.5	±0.75	EXP
6 > 30	±0.2	±0.5	±1	±1.5	Wall Lamp 1-Light
30 > 120	±0.3	±0.8	±1.5	±3	
DRAWN				2023-511	
CHECK'ED				185362, 185364, 185366	
APPROV'ED				---	
				MATERIAL TYPE	
				REV. NO.	

