

IMPORTANT SAFETY RULES

Read, Understand, and Follow all Instructions Carefully before Installing and using this Product.

Ladder with Removable Steps

Owner's Manual For:

48in (122 cm), 52in (132 cm) models



Don't forget to try these other fine Intex products: Pools, Pool Accessories, Inflatable Pools and In-Home Toys, Airbeds and Boats available at fine retailers or visit our website.

Due to a policy of continuous product improvement, Intex reserves the right to change specifications and appearance, which may result in updates to the instruction manual, without notice.



©2017 Intex Marketing Ltd. - Intex Development Co. Ltd. - Intex Trading Ltd. - Intex Recreation Corp.

All rights reserved/Tous droits réservés/Todos los derechos reservados/Alle Rechte vorbehalten. Printed in China/Imprimé en Chine/Impreso en China/Gedruckt in China.

®™ Trademarks used in some countries of the world under license from/®™ Marques utilisées dans certains pays sous licence de/ Marcas registradas utilizadas en algunos países del mundo bajo licencia de/Warenzeichen verwendet in einigen Ländern der Welt in Lizenz von/Intex Marketing Ltd. to/à/a/an Intex Trading Ltd., Intex Development Co. Ltd., G.P.O Box 28829, Hong Kong & Intex Recreation Corp., P.O. Box 1440, Long Beach, CA 90801 • Distributed in the European Union by/Distribué dans l'Union Européenne par/Distribuido en la unión Europea por/Vertrieb in der Europäischen Union durch/Intex Trading B.V., Venneveld 9, 4705 RR Roosendaal – The Netherlands

www.intexcorp.com

332-*A*-R0-1806

TABLE OF CONTENTS

Warnings.....	3
Parts References.....	4
Setup Instructions.....	5-10
Long Term Storage.....	11
General Aquatic Safety.....	11
Limited Warranty.....	12

**SAVE THE CARTON FOR STORAGE AND THE INSTRUCTIONS
FOR RE-ASSEMBLY**

IMPORTANT SAFETY RULES

Read, Understand and Follow All Instructions Carefully Before Installing and Using this Product.

WARNING

- Supervise children and those with disabilities at all times.
- Always assist children when they use the ladder to avoid falls and/or serious injury.
- Never dive or jump from this ladder.
- Locate the ladder on a level, solid base.
- One person on this ladder at a time.
- Maximum load: 300 lbs (136 kg). Complies with EN16582 strength requirements.
- Face the ladder at all times for entry/exit of pool.
- Remove and secure ladder when pool is not occupied.
- Do not swim under, through or behind ladder.
- Check all nuts and bolts regularly to ensure ladder stays sturdy.
- If swimming at night use artificial lighting to illuminate all safety signs, ladders, pool floor and walkways.
- Assembly and disassembly by adults only.
- This ladder is designed and manufactured for a specific pool wall height and/or deck of the pool. Do not use with other pools.
- Failure to follow the maintenance instructions and warnings may result in adverse health effects or injury, particularly to children.
- Only use this ladder for the purposes described in this manual.

FAILURE TO FOLLOW THESE WARNINGS MAY RESULT IN BROKEN BONES, ENTRAPMENT, PARALYSIS, DROWNING OR OTHER SERIOUS INJURY.

These product warnings, instructions and safety rules provided with the product represent some common risks of water recreation devices and do not cover all instances of risk and danger. Please use common sense and good judgment when enjoying any water activity.

IMPORTANT

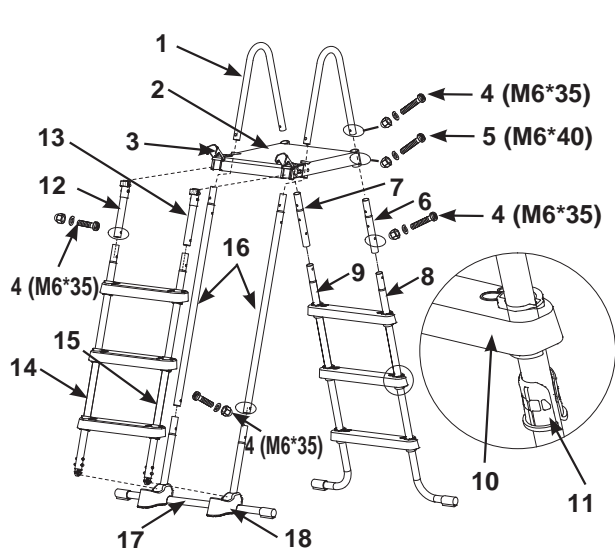
IT IS VERY IMPORTANT TO LAY OUT THE PARTS CORRECTLY AND IDENTIFY WHICH PARTS CONNECT TOGETHER BEFORE STARTING THE ASSEMBLY. ALTHOUGH SOME PARTS LOOK ALIKE, THEY ARE NOT ALWAYS INTERCHANGEABLE. REFER TO THE PARTS LIST.

This ladder is designed and manufactured for Intex pool wall height:

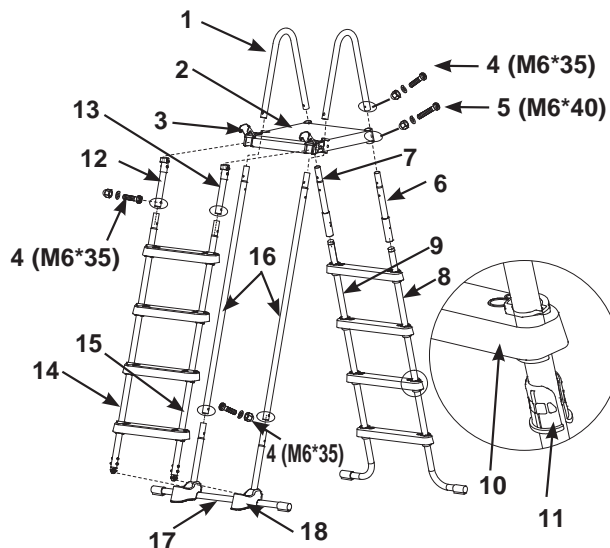
Item #	Pool Wall Height
28076	48in (122cm)
28077	52in (132cm)

PARTS REFERENCE

Before assembling your product, please take a few minutes to check the contents and become familiar with all the parts.



48in (122 cm) model



52in (132 cm) model

NOTE: Drawings for illustration purpose only. Actual product may vary. Not to scale.

REF. NO.	DESCRIPTION	QUANTITY		SPARE PART NO.	
		48in	52in	#28076	#28077
1	U-SHAPED TOP RAIL	2	2	12512	12512
2	TOP PLATFORM	1	1	12182	12182
3	CLASP	2	2	12190	12190
4	SHORT FASTENER FOR U-SHAPED TOP RAIL (WITH 1 EXTRA)	11	9	10810	10810
5	LONG FASTENER FOR TOP PLATFORM (WITH 1 EXTRA)	5	5	10227	10227
6	A SIDE - UPPER SIDE LEG (MARKED "A")	1	1	12669A	12643A
7	A SIDE - UPPER SIDE LEG (MARKED "B")	1	1	12669B	12643B
8	A SIDE - LOWER J- LEG (MARKED "A")	1	1	12670A	12644A
9	A SIDE - LOWER J- LEG (MARKED "B")	1	1	12670B	12644B
10	STEP	6	8	12629	12629
11	STEP ANCHOR SLEEVE	12	16	12630	12630
12	B SIDE - UPPER SIDE LEG (MARKED "A1")	1	1	12653A	12653A
13	B SIDE - UPPER SIDE LEG (MARKED "B1")	1	1	12653B	12653B
14	B SIDE - LOWER SIDE LEG (MARKED "A1")	1	1	12651A	12654A
15	B SIDE - LOWER SIDE LEG (MARKED "B1")	1	1	12651B	12654B
16	C SIDE - UPPER SIDE LEG (MARKED "C")	2	2	12652	12655
17	C SIDE - LOWER U-SHAPED SIDE LEG (MARKED "C")	1	1	12650	12650
18	SUPPORT BASE	2	2	11356	11356

TOOLS REQUIRED: One (1) Phillips screwdriver, one (1) small flat screwdriver
One (1) pair of pliers or a small adjustable wrench

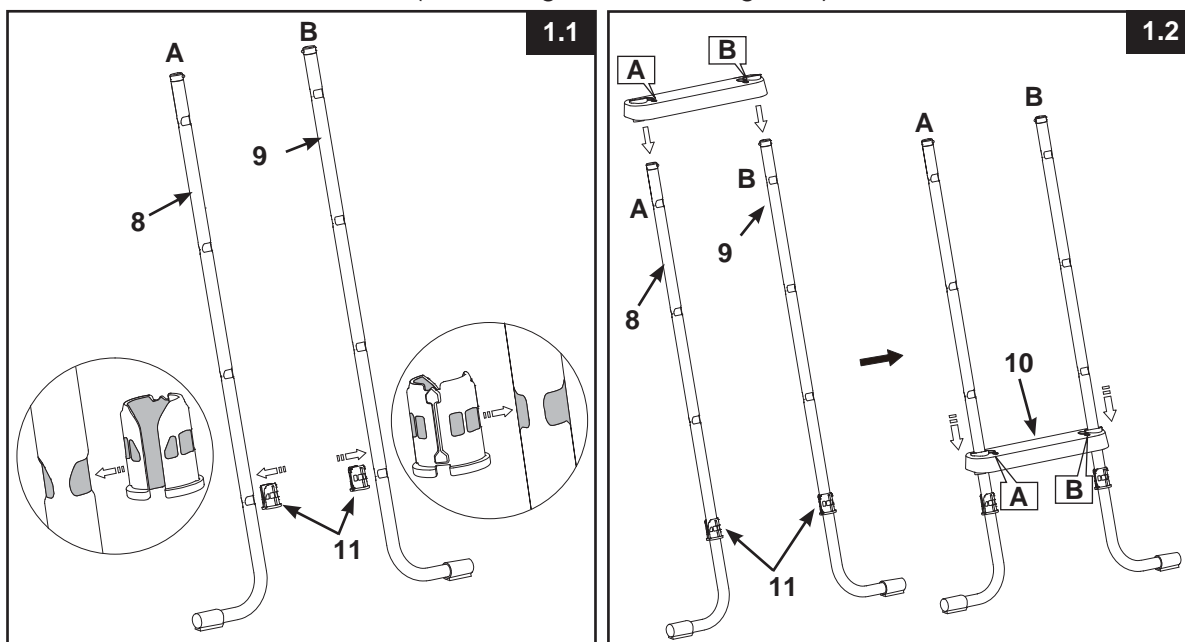
LADDER SETUP

Estimated assembly time 30-60 minutes. (Note the assembly time is only approximate and individual assembly experience may vary.)

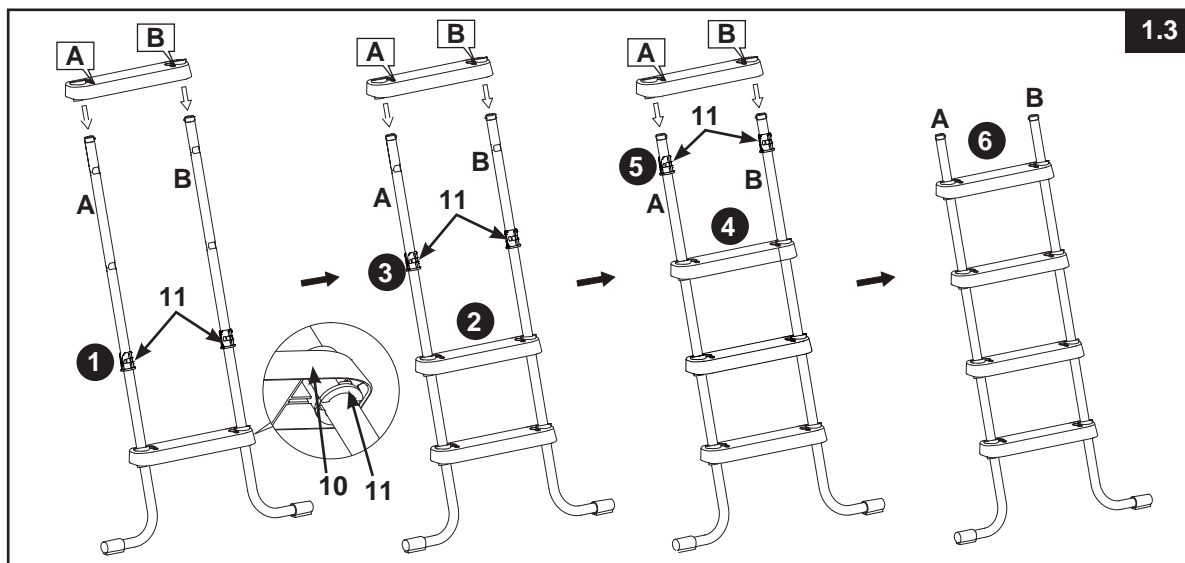
WARNING

INCORRECTLY CONNECTED PARTS MAY RESULT IN AN UNSTABLE LADDER OR LADDER FAILURE WHICH CAN CAUSE FALLING AND PERSONAL INJURY OR DEATH.

1. SIDE A LEGS ASSEMBLY (refer to figures 1.1 through 1.4):

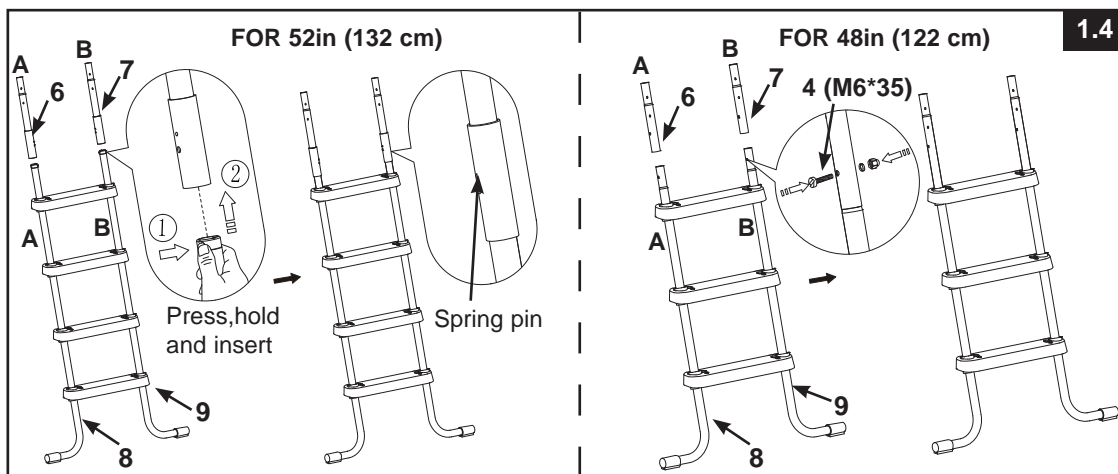


IMPORTANT: Ensure the J-shaped legs are pointing outwards before installing the steps.

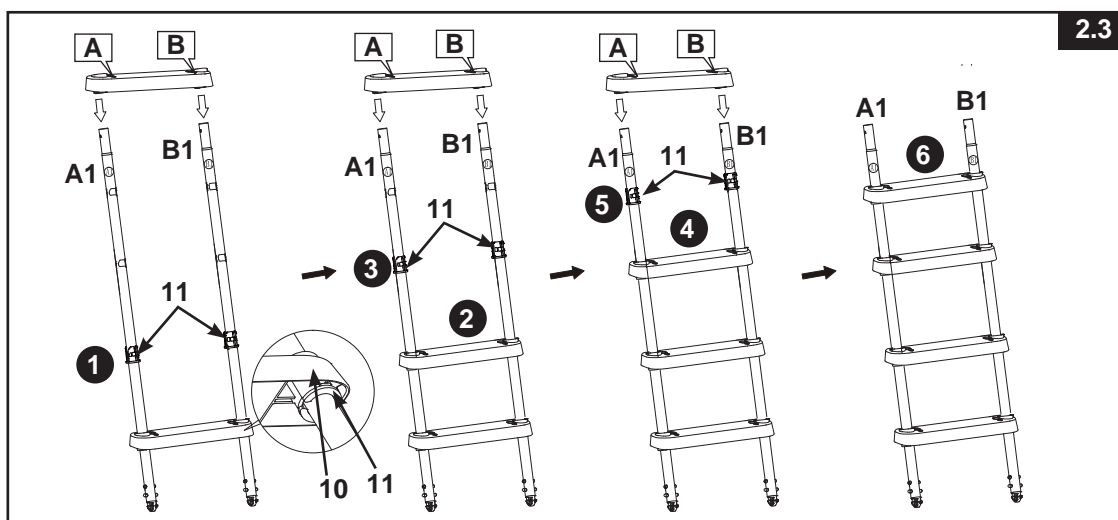
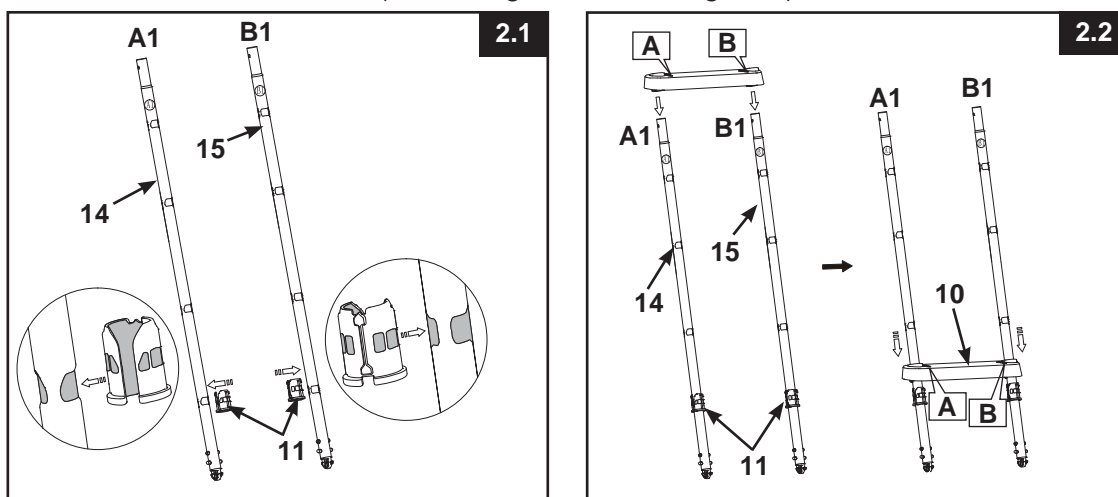


LADDER SETUP (continued)

- UPPER SIDE A LEGS ASSEMBLY (refer to figure 1.4):

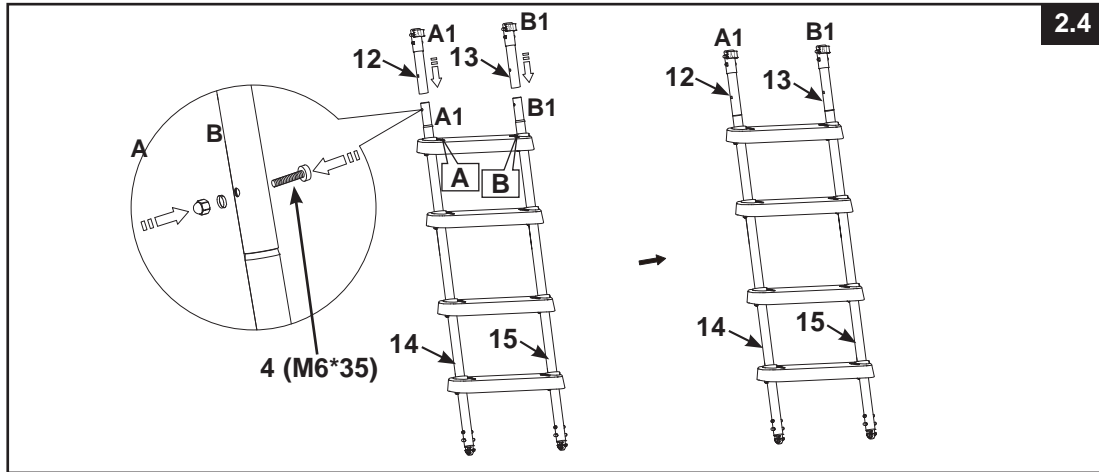


- 2. SIDE B LEGS ASSEMBLY (refer to figures 2.1 through 2.4):

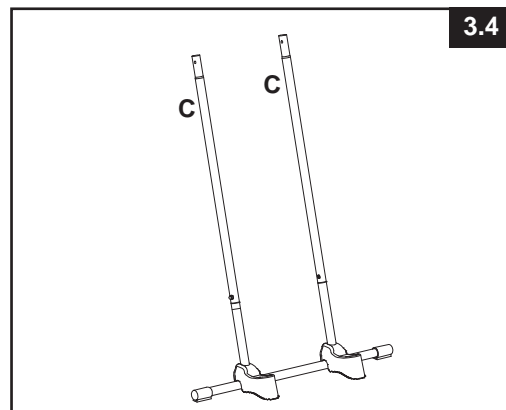
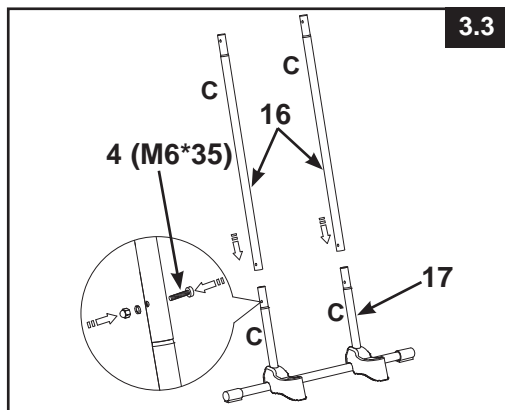
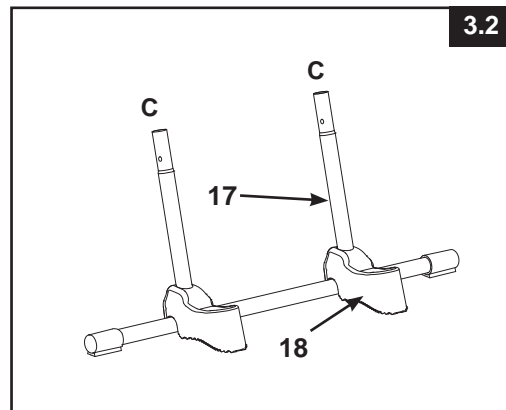
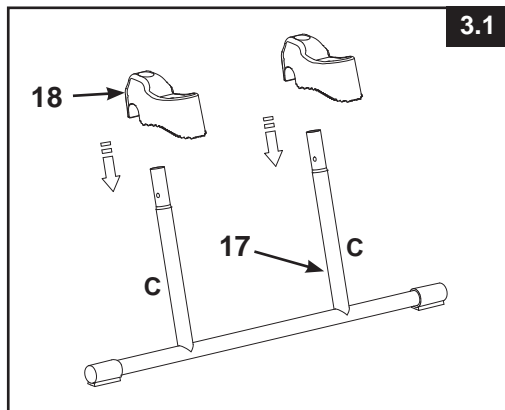


LADDER SETUP (continued)

- **UPPER SIDE B LEGS ASSEMBLY** (refer to figure 2.4):



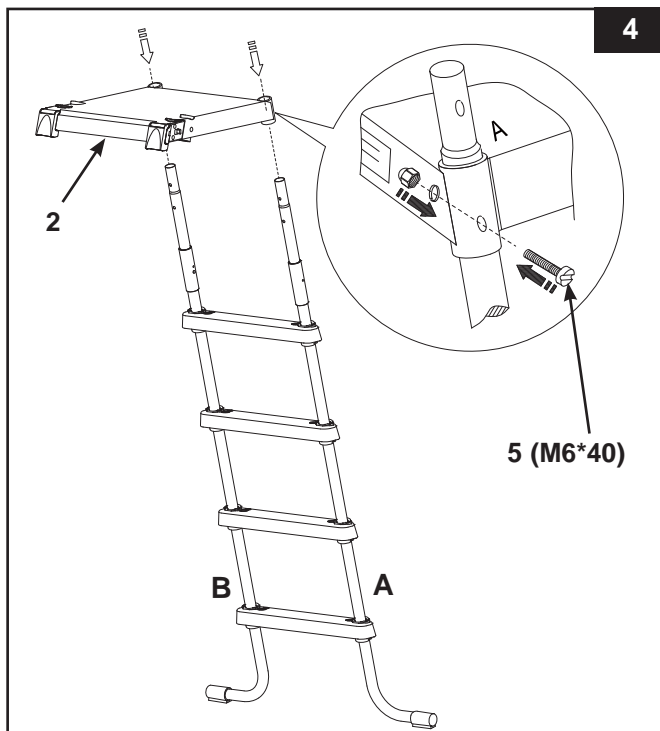
- **3. SIDE C LEGS ASSEMBLY** (refer to figures 3.1 through 3.4):



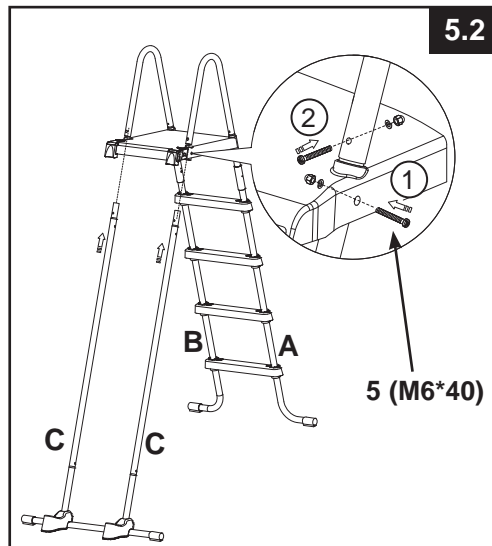
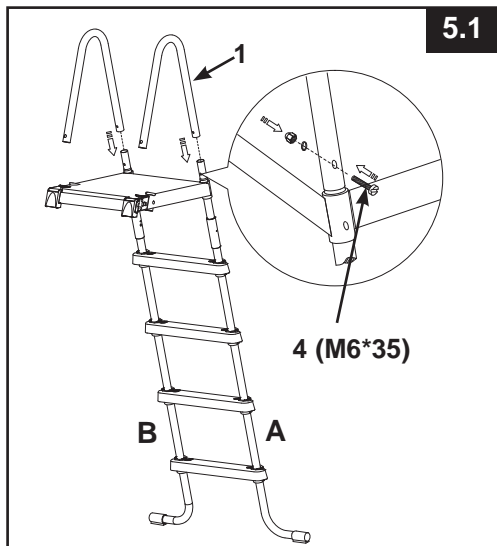
IMPORTANT: Make sure the legs are securely connected and locked.

LADDER SETUP (continued)

4. TOP PLATFORM INSTALLATION (refer to figure 4):



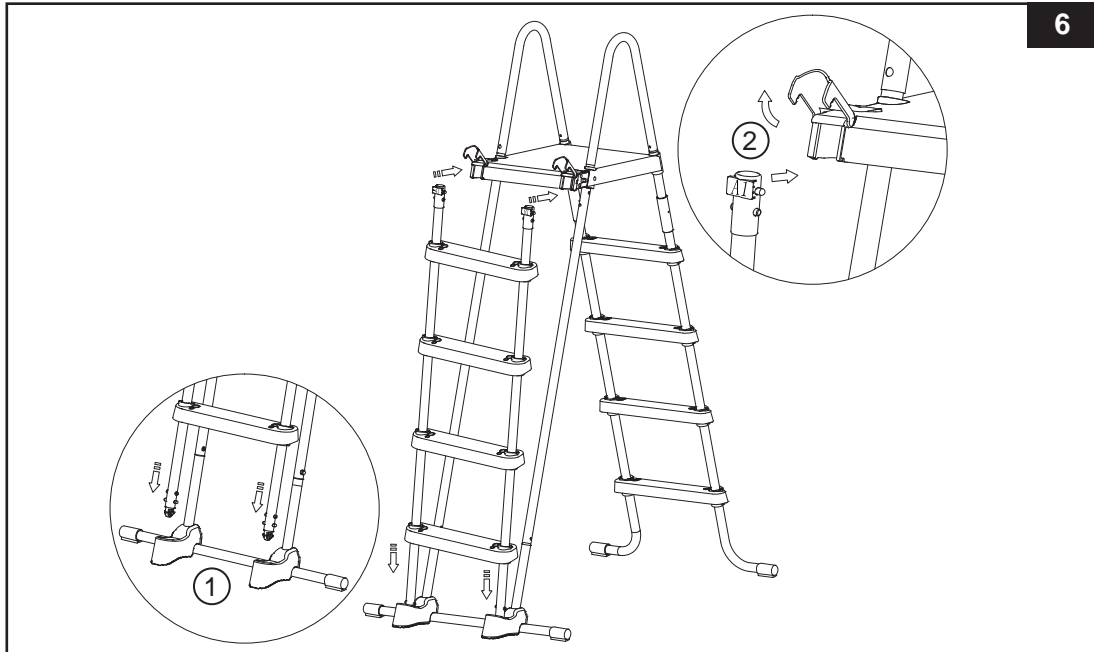
5. U-SHAPED TOP RAIL INSTALLATION (refer to figure 5.1 through 5.2):



IMPORTANT: One side at a time. Do not attach the other side of the ladder until the U-shaped top rail is installed. Make sure all nuts and bolts are securely tightened. Do not fully tighten fasteners until last assembly operation.

LADDER SETUP (continued)

6. SIDE B LEGS INSTALLATION (refer to figure 6):



WARNING

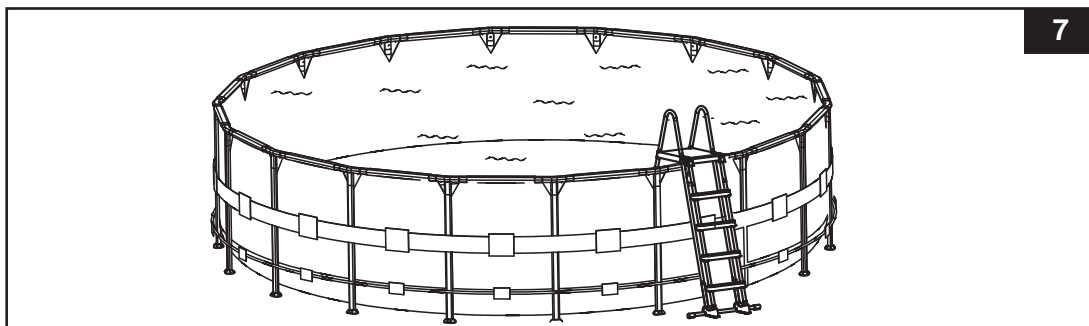
BEFORE EACH USE, ENSURE THE REMOVABLE STEPS SIDE IS ANCHORED INTO THE SUPPORT BASE AND SECURELY LOCKED IN THE CLASPS LOCATED AT THE FRONT EDGE OF THE TOP PLATFORM.

7. MAINTENANCE : Regularly check all nuts, bolts, steps and step anchor sleeves to ensure all parts are secured properly and the ladder is sturdy.

8. BEFORE USE OF LADDER (refer to figure 7):

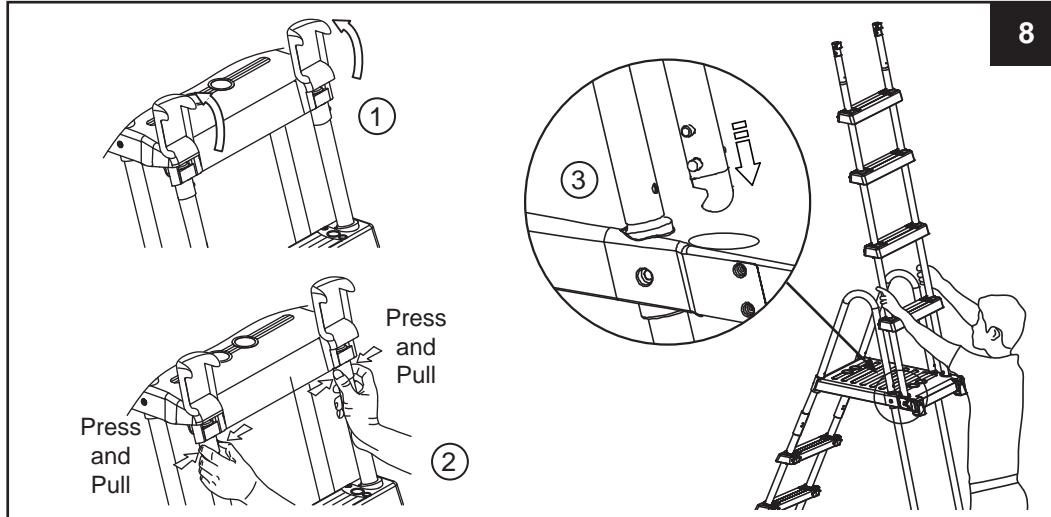
With all parts now in place, verify that all fasteners/screws are fully tightened and apply downward pressure to each step to be sure they are fully anchored in place.

IMPORTANT: The removable steps side must be located outside of the pool.



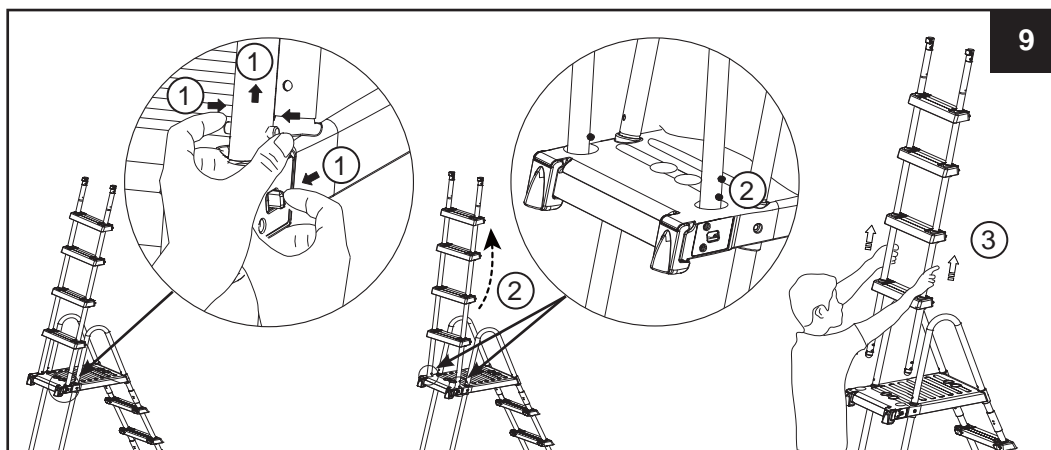
LADDER SETUP (continued)

9. AFTER USE OF LADDER (refer to figure 8):



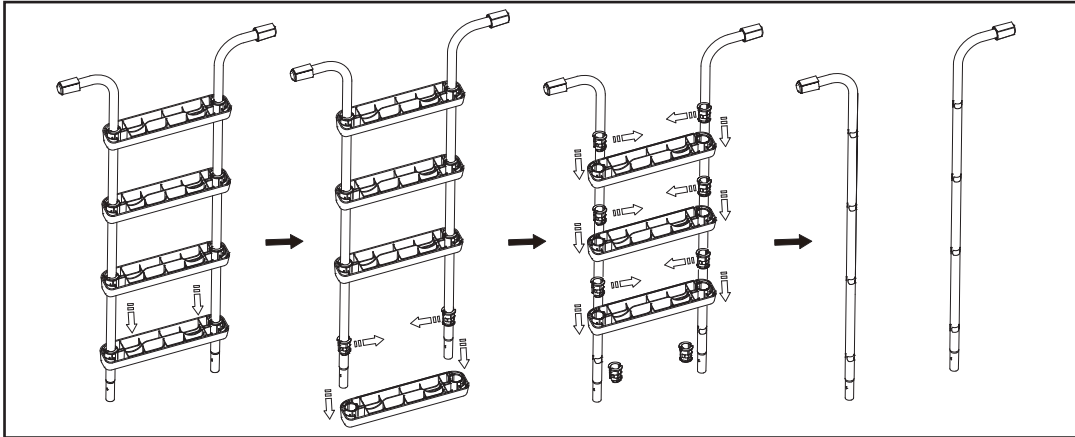
10. Removing the steps from the secured position (refer to figure 9):

- With your right hand pull and hold the latch towards you, while at the same time with your left hand press the white protruding buttons and simultaneously lift that leg out of the cavity exposing the lower white protruding buttons.
- Allow the leg to rest over the top brace (make sure it does not fall back into the cavity), and quickly lift up the "removable step assembly" out of its secured position.
- See step 6 for re-attaching the removable steps.



WINTERIZING/LONG TERM STORAGE

1. Remove the "removable steps" as shown in the After Use of Ladder section, see figure 8.
2. Remove the ladder from the pool, and make sure the ladder and the removable steps are thoroughly dry before long term storage.
3. Bring the ladder and all its components indoors and store in a safe and dry area, preferably between 32° F (0° C) and 104° F (40° C).
4. Be sure the ladder and all components are stored in a safe place away from children's reach.
5. Step disassembly:



⚠ WARNING

WHEN NOT IN USE, LADDER SHOULD BE KEPT IN SAFETY POSITION. REMOVE THE FRONT STEPS SIDE WHEN THE POOL IS NOT IN USE OR OCCUPIED. STORE THE REMOVABLE STEPS SIDE IN A SAFE PLACE AWAY FROM CHILDREN REACH. CLOSE THE CLASPS BACK.

GENERAL AQUATIC SAFETY

Water recreation is both fun and therapeutic. However, it involves inherent risks of injury and death. To reduce your risk of injury, read and follow all product, package and package insert warnings and instructions. Remember, however, that product warnings, instructions and safety guidelines cover some common risks of water recreation, but do not cover all risks and or dangers.

For additional safeguards, also familiarize yourself with the following general guidelines as well as guidelines provided by nationally recognized Safety Organizations:

- Demand constant supervision. A competent adult should be appointed as a "lifeguard" or water watcher, especially when children are in and around the pool.
- Learn to swim.
- Take the time to learn CPR and first aid.
- Instruct anyone who is supervising pool users about potential pool hazards and about the use of protective devices such as locked doors, barriers, etc.
- Instruct all pool users, including children what to do in case of an emergency.
- Always use common sense and good judgement when enjoying any water activity.
- Supervise, supervise, supervise.

LIMITED WARRANTY

Your Intex Pool Ladder has been manufactured using the highest quality materials and workmanship. All Intex products have been inspected and found free of defects prior to leaving the factory. This Limited Warranty applies to the Intex Pool Ladder only.

This limited warranty is in addition to, and not a substitute for, your legal rights and remedies. To the extent that this warranty is inconsistent with any of your legal rights, they take priority. For example, consumer laws across the European Union provide statutory warranty rights in addition to the coverage you receive from this limited warranty: for information on EU-wide consumer laws, please visit the European Consumer Center website at http://ec.europa.eu/consumers/ecc/contact_en/htm.

The provisions of this Limited Warranty apply only to the original purchaser and are not transferable. This Limited Warranty is valid for a period of 90 days from the date of the initial retail purchase. Keep your original sales receipt with this document, as proof of purchase will be required and must accompany warranty claims or the Limited Warranty will be invalid.

If you find a manufacturing defect in the Intex Pool Ladder during the warranty period, please contact the appropriate Intex Service Center listed in the separate "Authorized Service Centers" sheet. If the item is returned as directed by the Intex Service Center, the Service Center will inspect the item and determine the validity of the claim. If the item is covered by the provisions of the warranty, the item will be repaired or replaced, with the same or comparable item (at Intex's choice) at no charge to you.

Other than this warranty, and other legal rights in your country, no further warranties are implied. To the extent possibly in your country, in no event shall Intex be liable to you or any third party for direct or consequential damages arising out of the use of your Intex Pool Ladder, or Intex or its agents' and employees' actions (including the manufacture of the product). If your country does not allow the exclusion or limitation of incidental or consequential damages, this limitation or exclusion does not apply to you.

You should note that this limited warranty does not apply in the following circumstances:

- If the Intex Pool Ladder is subject to negligence, abnormal use or application, accident, improper operation, improper maintenance or storage.
- If the Intex Pool Ladder is subject to damage by circumstances beyond Intex's control, including but not limited to, ordinary wear and tear and damage caused by exposure to fire, flood, freezing, rain, or other external environmental forces;
- To parts and components not sold by Intex; and/or
- To unauthorized alterations, repairs or disassembly to the Intex Pool Ladder by anyone other than Intex Service Center personnel.

The costs associated with the loss of pool water, chemicals or water damages are not covered by this warranty. Injury or damage to any property or person is not covered by this warranty.

Read the owner's manual carefully and follow all instructions regarding proper operation and maintenance of your Intex Pool Ladder. Always inspect your product prior to use. This limited warranty will be void if use instructions are not followed.

IMPORTANT

Lisez et suivez attentivement toutes ces instructions avant d'installer et d'utiliser ce produit.

Echelle avec marches amovibles

Manuel d'utilisation pour :

Avec plateforme 48" (122 cm) & 52" (132 cm)



N'oubliez pas d'essayer les autres produits de la gamme Intex : piscines hors sol, accessoires de piscine, piscines gonflables, jouets d'intérieur gonflables, airbeds et bateaux. Ces produits sont disponibles chez les différents revendeurs ou sur notre site internet.

En raison d'une politique d'amélioration continue de ses produits, Intex se réserve le droit de modifier les spécifications et l'apparence, ce qui peut entraîner des mises à jour du manuel d'instruction sans préavis.



©2017 Intex Marketing Ltd. - Intex Development Co. Ltd. - Intex Trading Ltd.
- Intex Recreation Corp.

All rights reserved/Tous droits réservés/Todos los derechos reservados/Alle Rechte vorbehalten. Printed in China/Imprimé en Chine/Impreso en China/Gedruckt in China.

®™ Trademarks used in some countries of the world under license from/®™ Marques utilisées dans certains pays sous licence de/
Marcas registradas utilizadas en algunos países del mundo bajo licencia de/Warenzeichen verwendet in einigen Ländern der Welt in
Lizenz von/Intex Marketing Ltd. to/à/a/an Intex Trading Ltd., Intex Development Co. Ltd., G.P.O Box 28829, Hong Kong & Intex
Recreation Corp., P.O. Box 1440, Long Beach, CA 90801 • Distributed in the European Union by/Distribué dans l'Union Européenne
par/Distribuido en la unión Europea por/Vertrieb in der Europäischen Union durch/Intex Trading B.V., Venneveld 9, 4705 RR
Roosendaal - The Netherlands
www.intexcorp.com

TABLES DES MATIERES

Attention.....	3
Detail des pieces.....	4
Instructions de montage.....	5-10
Stockage Hivernal.....	11
Règles de sécurité en milieu aquatique.....	11
Garantie.....	12

**CONSERVEZ LE CARTON D'EMBALLAGE POUR L'HIVERNAGE ET LE MANUEL
D'UTILISATION POUR UNE INSTALLATION ULTERIEURE**

IMPORTANT

Lisez et suivez attentivement toutes ces instructions avant d'installer et d'utiliser ce produit.

▲ ATTENTION

- Surveillez les enfants et les personnes handicapées à tous les instants.
- Pour éviter les chutes et les blessures, aidez toujours les enfants quand ils utilisent l'échelle.
- Ne plongez ou sautez jamais depuis l'échelle.
- Installez l'échelle sur un terrain solide et de niveau.
- Une seule personne à la fois sur l'échelle.
- Charge maximum : 300 lbs (136 kg). Conforme aux exigences de charge de la EN16582.
- Soyez face à l'échelle à tout moment pour entrer ou sortir de la piscine.
- Enlevez et empêchez l'utilisation de l'échelle lorsque la piscine n'est pas occupée.
- Ne nagez pas dessous, entre ou derrière l'échelle.
- Vérifiez régulièrement l'état des écrous et des boulons pour vous assurez que l'échelle est en bon état.
- Si vous vous baignez de nuit, utilisez une lumière artificielle pour éclairer tous les sigles de sécurité, l'échelle, le fond et les chemins d'accès de la piscine.
- Le montage et le démontage de ce produit doivent être réalisés par un adulte.
- Cette échelle est conçue et fabriquée pour une hauteur spécifique de la paroi d'une piscine et/ou pour le deck de la piscine. Ne pas utiliser avec d'autres piscines.
- Le non-respect des consignes d'entretien peut engendrer des risques graves pour la santé notamment celle des enfants.
- Utilisez seulement cette échelle aux fins décrites dans ce manuel d'utilisation.

LE NON RESPECT DE CES CONSIGNES DE SECURITE PEUT ENTRAINER DES DOMMAGES CORPORELS, LA NOYADE OU LA PARALYSIE.

Les règles de sécurité décrites dans le manuel, sur le produit et l'emballage mentionnent les risques courants liés à l'utilisation d'une piscine et ne couvrent pas toutes les situations. Faites preuve de bon sens afin de profiter au maximum de votre piscine en toute sécurité.

IMPORTANT

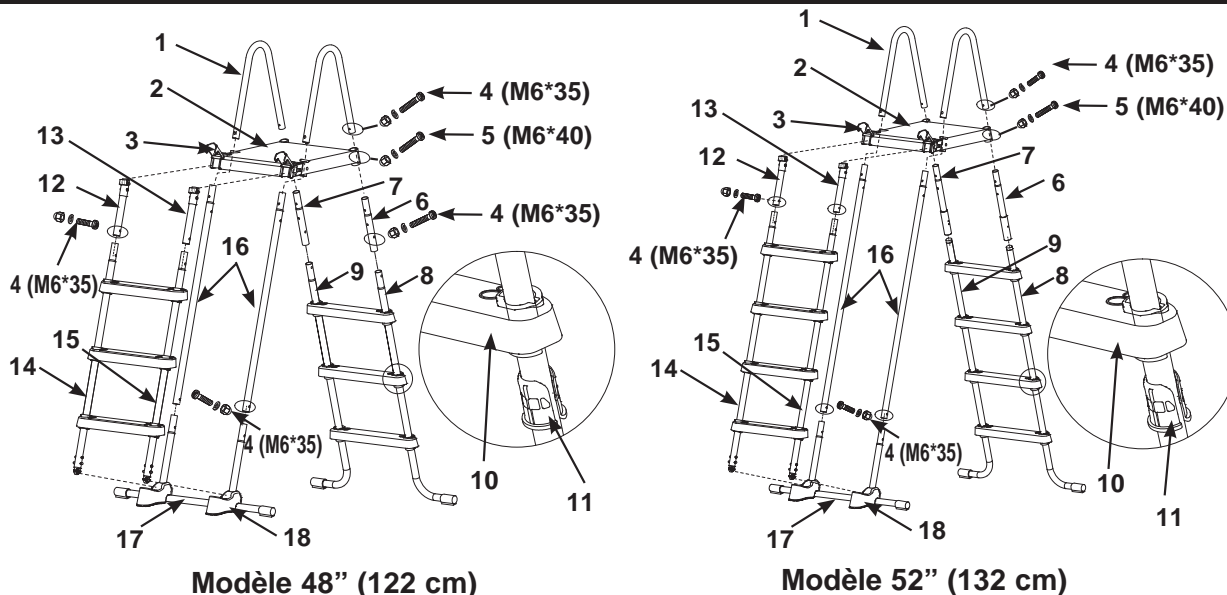
IL EST TRÈS IMPORTANT D'EXAMINER TOUTES LES PIÈCES ET D'IDENTIFIER CELLES QUI SE CONNECTENT ENTRE ELLES AVANT DE COMMENCER L'ASSEMBLAGE. BIEN QUE CERTAINES PIÈCES SE RESSEMBLENT, ELLES NE SONT PAS TOUTES INTERCHANGEABLES.

Cette échelle est destinée à être utilisée avec les piscines Intex d'une hauteur de :

Références	Wall
28076	48in (122cm)
28077	52in (132cm)

DETAIL DES PIÈCES

Avant d'assembler votre produit, prenez quelques instants pour vérifier son contenu et vous familiariser avec chaque pièce.



Modèle 48" (122 cm)

Modèle 52" (132 cm)

NOTE : Ce croquis est une simple représentation du produit. Il n'est pas à l'échelle réelle.

N°	DÉSIGNATION	TAILLE DE L'ÉCHELLE & QUANTITÉ		RÉFÉRENCE PIÈCE DÉTACHÉE	
		48in	52in	48in	52in
				#28076	#28077
1	U-SHAPED TOP RAIL	2	2	12512	12512
2	TOP PLATFORM	1	1	12182	12182
3	FERMOIR	2	2	12190	12190
4	PETITES VIS POUR FIXER LES POIGNÉES (1 EN PLUS)	11	9	10810	10810
5	GRANDES VIS POUR FIXER LES ENTRETOISES (1 EN PLUS)	5	5	10227	10227
6	COTÉ A - PARTIE SUPERIEURE DU PIED (MARQUE "A")	1	1	12669A	12643A
7	COTÉ A - PARTIE SUPERIEURE DU PIED (MARQUE "B")	1	1	12669B	12643B
8	COTÉ A - PARTIE INFÉRIEURE DU PIED EN J (MARQUE "A")	1	1	12670A	12644A
9	COTÉ A - PARTIE INFÉRIEURE DU PIED EN J (MARQUE "B")	1	1	12670B	12644B
10	MARCHES	6	8	12629	12629
11	MANCHON D'ANCRAGE DE MARCHÉ	12	16	12630	12630
12	COTÉ B - PARTIE SUPERIEURE DU PIED (MARQUE "A1")	1	1	12653A	12653A
13	COTÉ B - PARTIE SUPERIEURE DU PIED (MARQUE "B1")	1	1	12653B	12653B
14	COTÉ B - PARTIE INFÉRIEURE DU PIED (MARQUE "A1")	1	1	12651A	12654A
15	COTÉ B - PARTIE INFÉRIEURE DU PIED (MARQUE "B1")	1	1	12651B	12654B
16	COTÉ C - PARTIE SUPERIEURE DU PIED (MARQUE "C")	2	2	12652	12655
17	COTÉ C - PARTIE INFÉRIEURE EN U DU PIED DE COTE (MARQUE "C")	1	1	12650	12650
18	SUPPORT	2	2	11356	11356

Outils nécessaires : 1 tournevis cruciforme, un (1) petit tournevis plat
1 pince ou 1 clef à ouverture variable

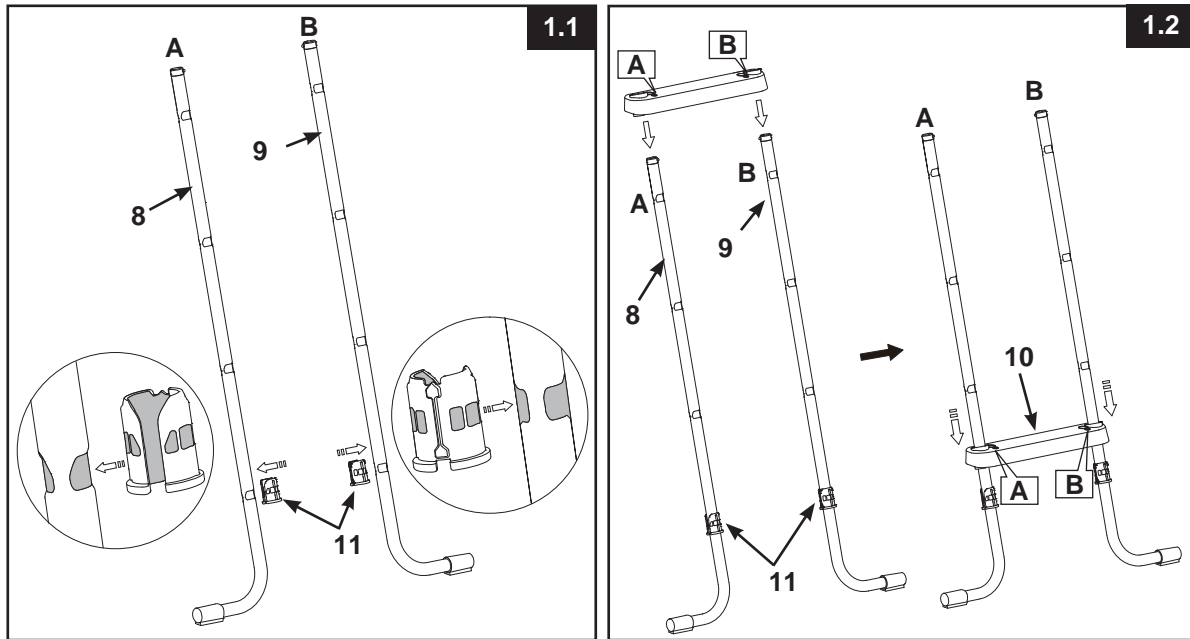
INSTALLATION DE L'ECHELLE

Temps moyen de montage : 30-60 minutes (Merci de noter que le temps de montage est approximatif et peut varier selon l'expérience des personnes).

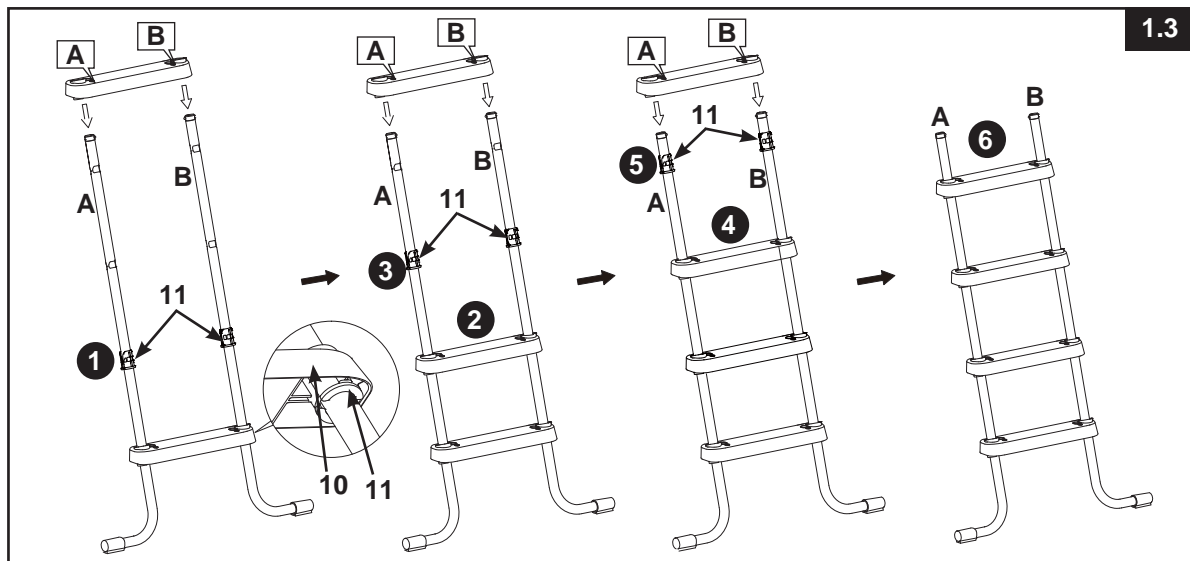
⚠ ATTENTION

UNE MAUVAISE CONNEXION DES PIECES PEUT ENTRAINER L'INSTABILITE DE L'ECHELLE ET PROVOQUER DES CHUTES GRAVES.

1. ASSEMBLAGE DU PIED COTE A (Voir les schémas 1.1 à 1.4):

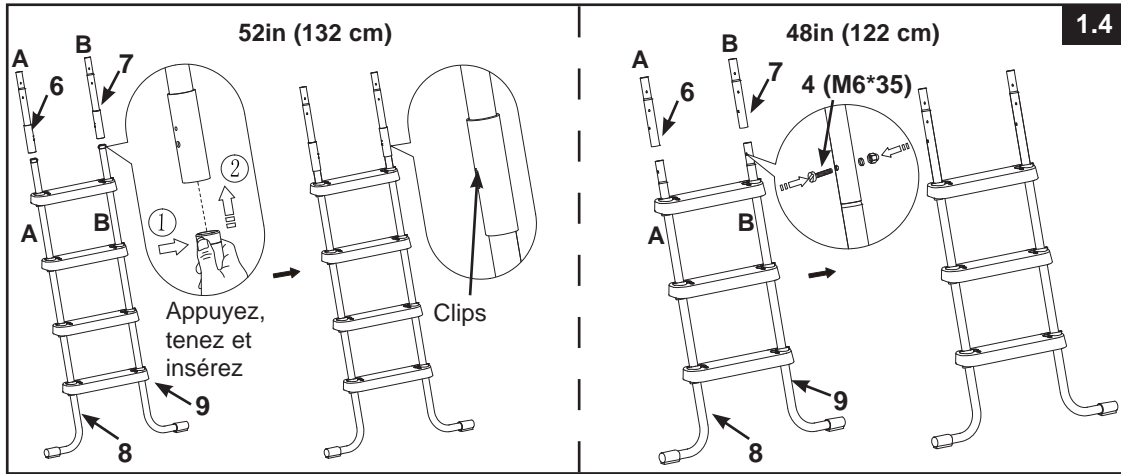


IMPORTANT: Assurez-vous que les pieds en forme de J soient dirigés vers l'extérieur avant d'installer les marches.

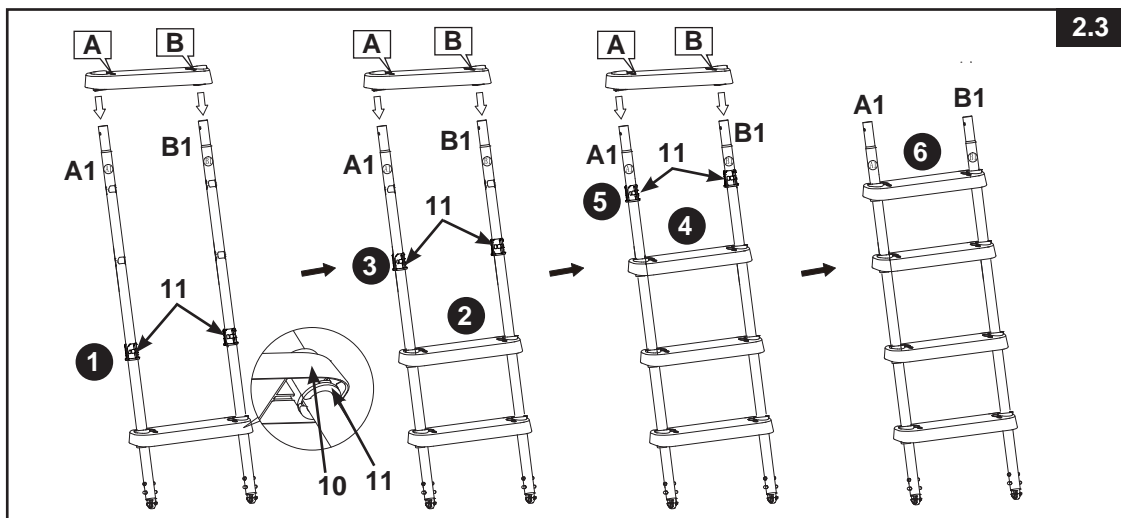
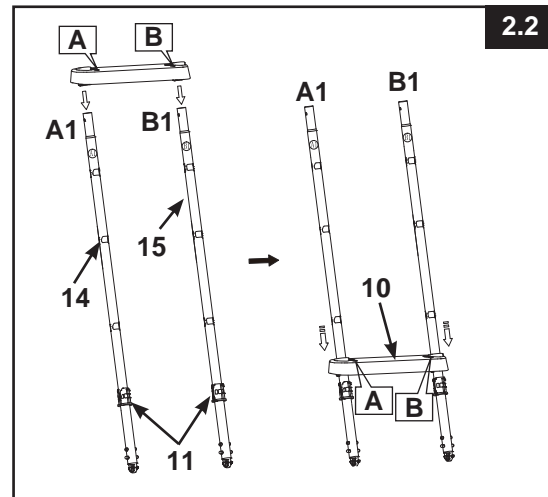
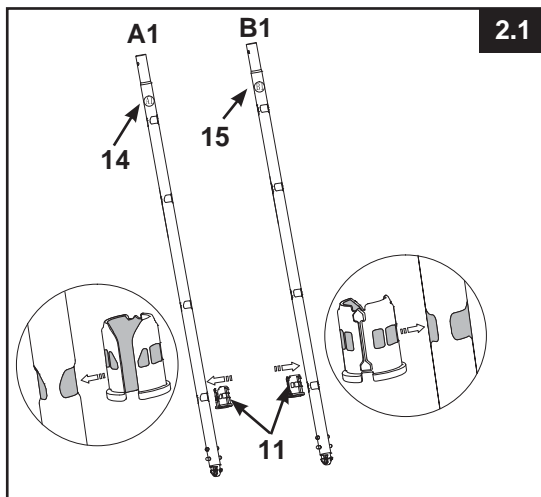


INSTALLATION DE L'ECHELLE (suite)

• ASSEMBLAGE DES MONTANTS SUPERIEURS A (Voir le schéma 1.4):

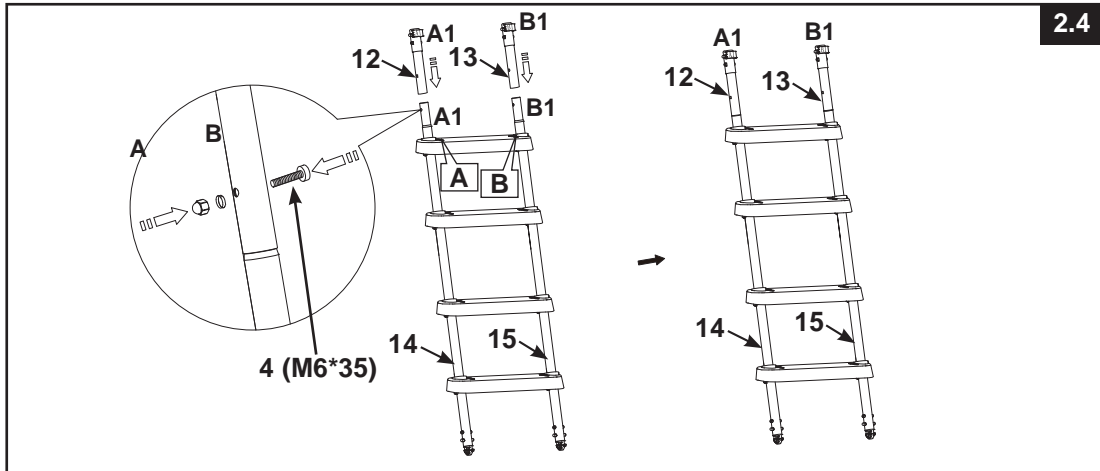


2. ASSEMBLAGE DU PIED COTE B (Voir les schémas 2.1 à 2.4):

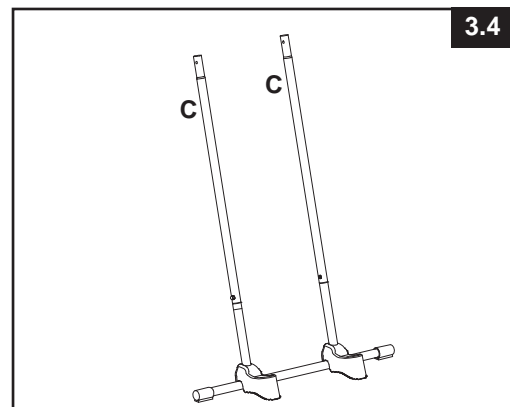
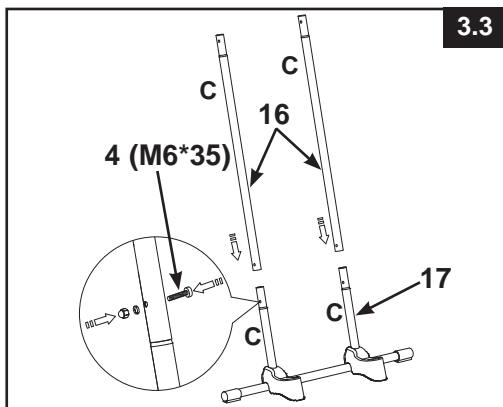
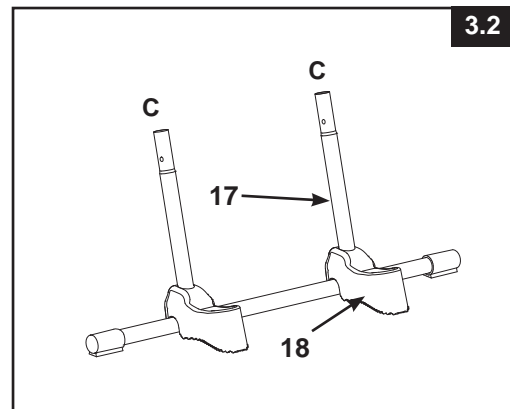
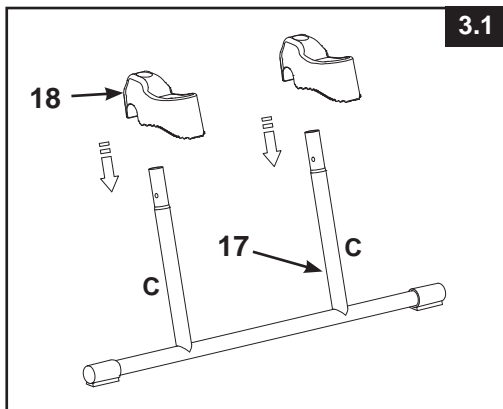


INSTALLATION DE L'ECHELLE (suite)

- **ASSEMBLAGE DES MONTANTS SUPÉRIEURS B** (Voir le schéma 2.4):



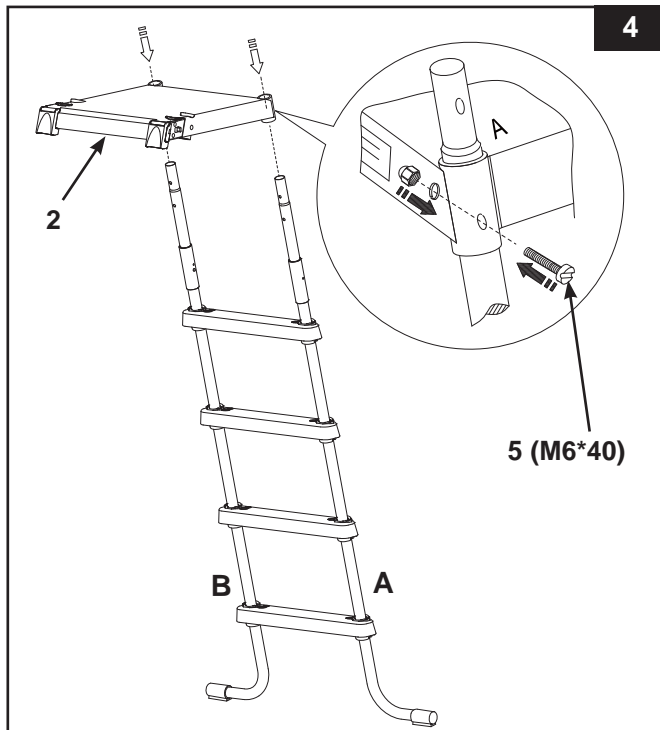
- **3. ASSEMBLAGE DU PIED COTE C** (Voir les schémas 3.1 à 3.4):



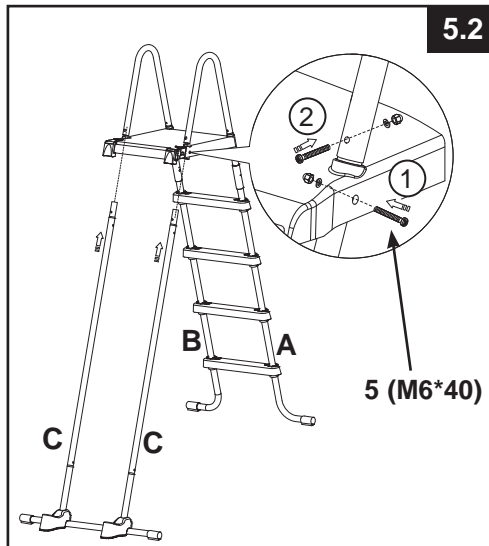
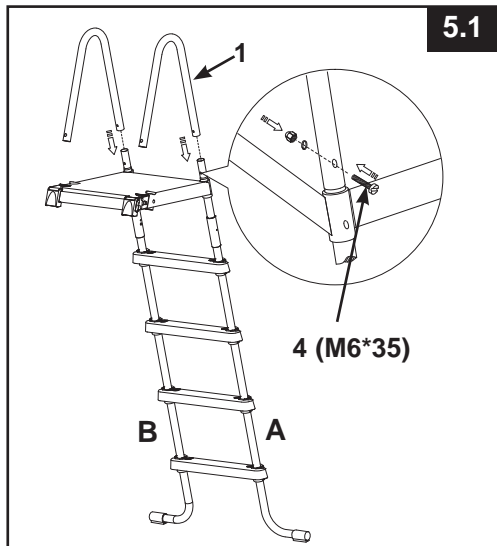
IMPORTANT : Assurez-vous que les pieds soient correctement connectés et verrouillés.

INSTALLATION DE L'ECHELLE (suite)

4. MONTAGE DE L'ENTRETOISE (Voir le schéma 4):



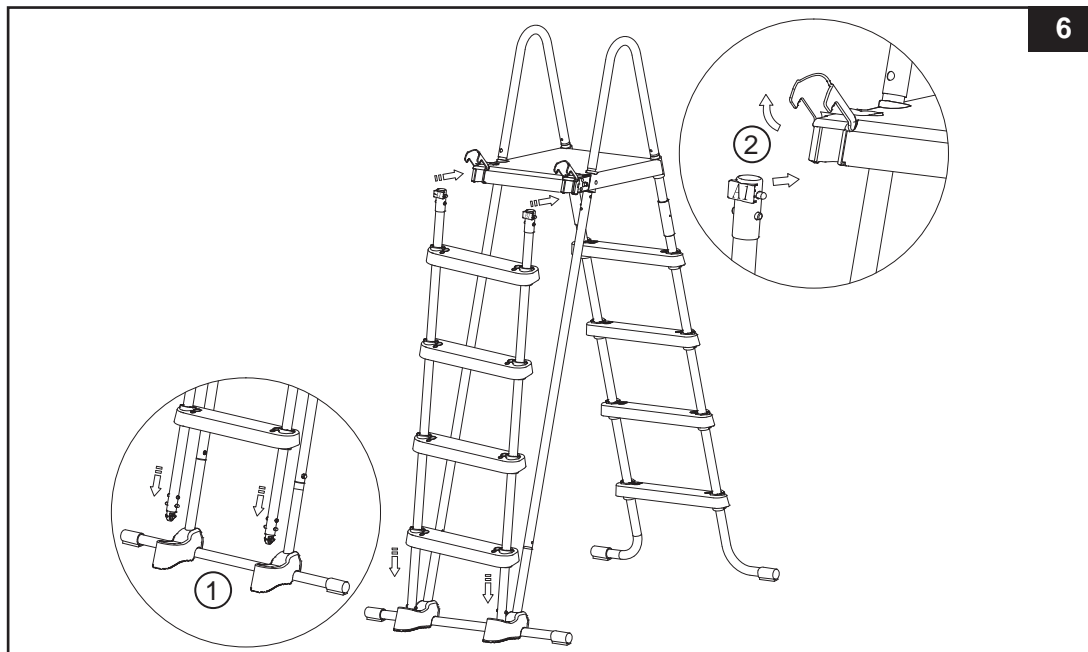
5. MONTAGE DES POIGNÉES (Voir les schémas 5.1 à 5.2):



IMPORTANT : Un côté à la fois. Ne pas attacher l'autre côté de l'échelle avant que la structure en U supérieure ne soit installée. Ne bloquez pas les vis avant d'avoir effectué la dernière opération de montage.

INSTALLATION DE L'ECHELLE (suite)

6. ASSEMBLAGE DU PIED COTE B (Voir le schéma 6):



⚠ ATTENTION

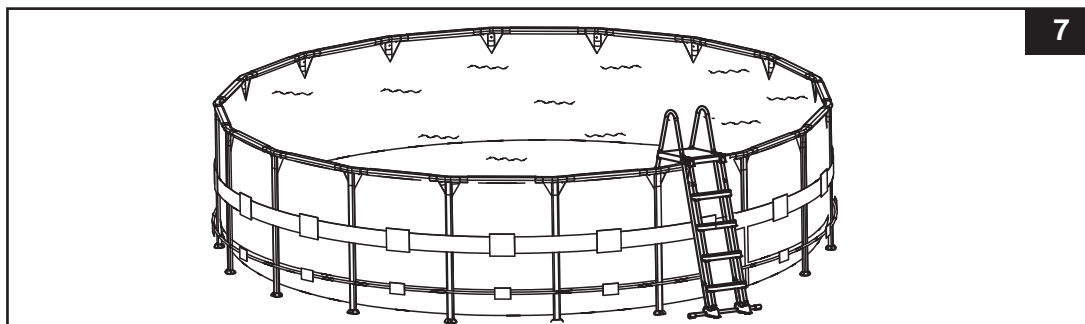
AVANT CHAQUE USAGE, ASSUREZ-VOUS QUE LES MARCHES AMOVIBLES SOIENT BIEN FIXÉES SUR LE SUPPORT ET VERROUILLÉES SUR LES FERMOIRS SITUÉS SUR LE DEVANT DE LA PLATE-FORME.

7. ENTRETIEN: Inspectez régulièrement tous les écrous, vis, marches et manchons d'ancrage de marche pour vérifier que toutes les pièces sont solidement fixées et que l'échelle est solide.

8. AVANT L'UTILISATION DE L'ECHELLE (Voir le schéma 7):

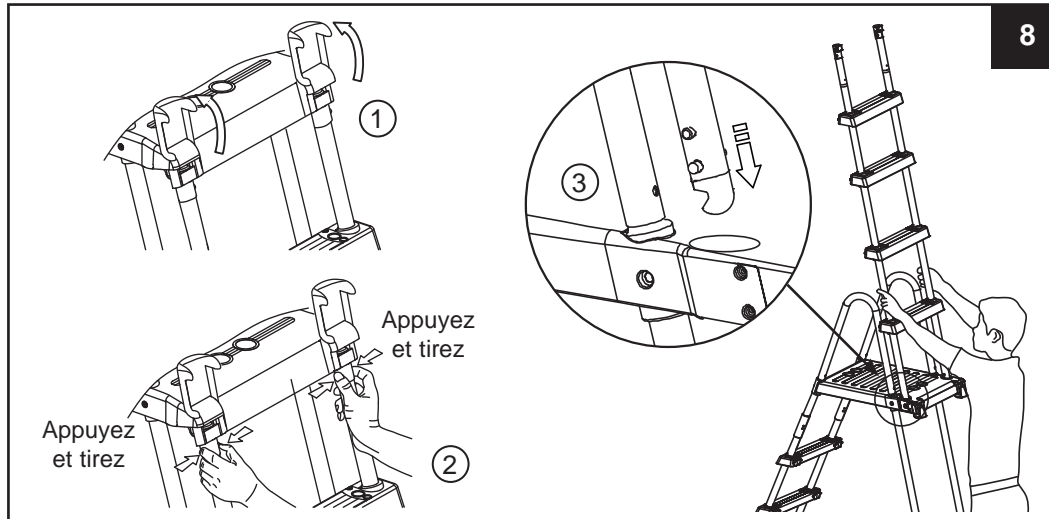
Avec toutes les pièces en place, vérifiez que toutes les fixations / vis sont bien serrées et appuyer sur chaque marche pour vérifier qu'elles soient bien fixées.

IMPORTANT : Les marches amovibles doivent être placées à l'extérieur de la piscine.



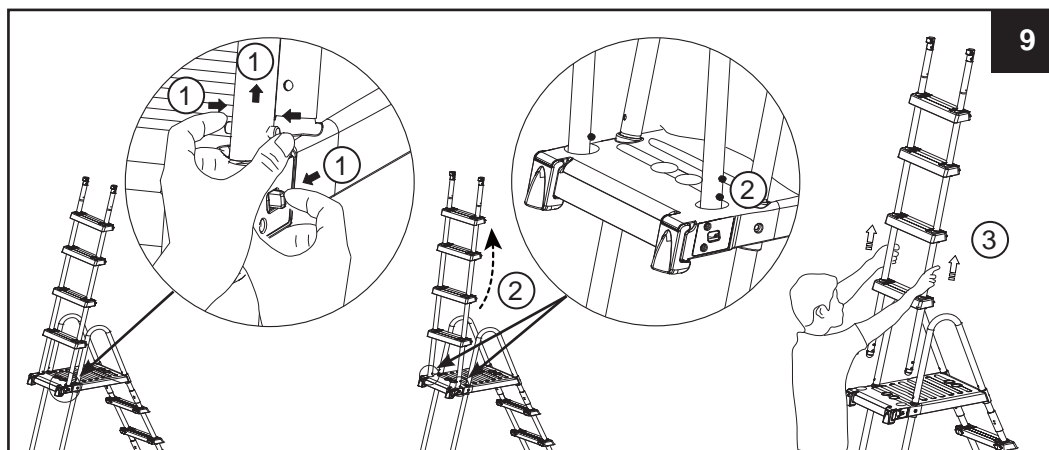
INSTALLATION DE L'ECHELLE (suite)

9. APRES S'ETRE SERVI DE L'ECHELLE (Voir les schéma 8):



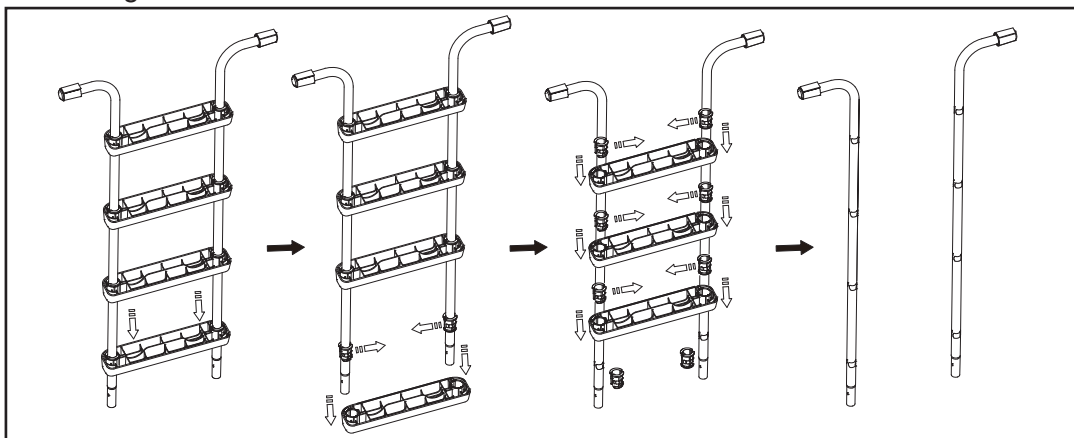
10. Enlever les marches de la position de sécurité (Voir les schéma 9):

- Avec votre main droite, tirez et amenez le loquet vers vous tout en appuyant avec votre main gauche sur les boutons blancs qui dépassent et levez simultanément ce pied pour le sortir de la cavité exposant les boutons blancs inférieurs qui dépassent.
- Laissez le pied reposer sur le support du haut (assurez-vous qu'il ne retombe pas dans la cavité) et enlevez rapidement les « marches assemblées amovibles » de leur position de sécurité.
- Voir l'étape 6 pour réinstaller les marches amovibles.



HIVERNAGE/STOCKAGE HIVERNAL

1. Otez les "marches amovibles" comme expliqué au niveau de la section "Après usage", voir schéma 8.
2. Otez l'échelle de la piscine, assurez vous que l'échelle et les marches amovibles soient parfaitement sèches si vous les stockez pour longtemps.
3. Rangez l'échelle et tous ses composants dans un endroit sec, de préférence entre 0°C et 40°C.
4. Assurez-vous que l'échelle et tous ses composants soient rangés dans un endroit sûr, loin des enfants.
5. Démontage des marches:



ATTENTION

QUAND ELLE N'EST PAS UTILISÉE, L'ÉCHELLE DOIT ÊTRE MISE EN POSITION SÉCURITÉ. OTEZ LES MARCHES AMOVIBLES QUAND LA PISCINE N'EST PAS UTILISÉE OU OCCUPÉE. RANGEZ LES MARCHES AMOVIBLES DANS UN ENDROIT SÛR, LOIN DES ENFANTS. REFERMEZ LES FERMOIRS.

RÈGLES DE SÉCURITÉ EN MILIEU AQUATIQUE

Les loisirs nautiques sont à la fois amusants et relaxants. Cependant, ils représentent des risques de blessures et de mort. Afin de réduire ces risques, lisez et suivez toutes les instructions présentes sur les produits, les emballages et les notices. Soyez conscient que les instructions et mises en garde couvrent les risques les plus communs mais d'autres existent.

Pour plus de sécurité, familiarisez-vous avec les mises en garde suivantes ainsi qu'à celles propres à chaque organisation nationale :

- Demandez lui une surveillance constante. Un adulte compétent doit être désigné comme "maître nageur" ou surveillant de baignade, surtout quand des enfants sont dans ou autour de la piscine.
- Apprenez à nager.
- Prenez le temps d'apprendre les premiers gestes de secours.
- N'hésitez pas à informer toute personne en charge de la surveillance de la baignade de l'existence de système de sécurité tels que les barrières, portes verrouillées....
- Informez tout les utilisateurs de la piscine, les enfants inclus des procédures d'urgence.
- Faites preuve de bon sens et de raison lors d'activités nautiques.
- Surveillez, surveillez, surveillez.

GARANTIE LIMITÉE

Votre échelle de piscine a été fabriquée avec des matériaux de la meilleure qualité et un savoir-faire de haut niveau. Tous les produits Intex ont été inspectés et sont exempts de vices de fabrication. La garantie limitée ne s'applique qu'à la échelle de piscine.

Cette garantie limitée est en complément, et non en remplacement, de la garantie légale. Dans les cas où cette garantie serait en contradiction avec vos droits locaux, ces derniers restent prioritaires. Par exemple, les lois européennes apportent des droits statutaires complémentaires à ceux offerts par la garantie limitée. Pour plus d'informations, consultez le site Internet européen : http://ec.europa.eu/consumers/ecc/contact_en/htm.

Les dispositions de cette garantie limitée s'appliquent seulement au premier acheteur. Cette garantie limitée n'est pas transférable. La garantie limitée est valide pour une période de 90 jours à partir de la date d'achat. Conservez l'original du ticket de caisse avec ce manuel, car une preuve d'achat sera exigée et devra accompagner les réclamations ; dans le cas contraire, la garantie limitée n'est pas valide.

Si un défaut de fabrication est détecté durant cette période de 90 jours, merci de contacter le Service Consommateur Intex approprié listé dans le document « Services Consommateurs agréés » ci-joint. Si l'article est couvert par les termes de la garantie, le produit sera réparé ou échangé avec un produit similaire (de notre choix) sans frais de votre part.

Aucune garantie complémentaire (autre que légale) ne sera appliquée. En aucun cas INTEXX, ses agents et/ou employés ne sauront être tenus responsables des dommages directs ou indirects résultant de l'utilisation de l'échelle de piscine (y compris la fabrication du produit). Certains pays ou certaines juridictions n'autorisent pas l'exclusion ou la limitation des dommages impliqués ou accessoires, les limitations ou exclusions ci-dessus ne s'appliquent donc peut-être pas à vous.

Cette garantie limitée ne s'applique pas dans les circonstances suivantes:

- Si l'échelle de piscine est l'objet de négligences, d'une utilisation ou une application anormales, d'un accident, d'une mauvaise utilisation, un mauvais entretien ou stockage.
- Si l'échelle de piscine est soumise à des dégâts par des circonstances indépendantes de la volonté d'INTEXX, y compris mais sans s'y limiter, l'usure normale et les dommages causés par exposition au feu, au gel, à la pluie, à une inondation ou à tout autre facteur environnemental externe.
- Pour les pièces et composants non vendus par INTEXX; et/ ou.
- Les modifications non autorisées, les réparations ou le démontage de l'échelle de piscine par une personne autre que le personnel des centres SAV INTEXX.

Les coûts résultant de la perte d'eau de la piscine, les dégâts causés par les produits de traitement chimique ou l'eau ne sont pas couverts par cette garantie. Les blessures ou les dégâts matériels ne sont en aucun cas couverts par cette garantie.

Lisez le manuel avec attention et suivez les instructions concernant le fonctionnement et l'entretien de votre échelle de piscine. Inspectez toujours votre produit avant de l'utiliser. La garantie peut être annulée si les instructions ne sont pas suivies.



NORMAS IMPORTANTES DE SEGURIDAD

Lea, comprenda y siga todas las instrucciones cuidadosamente antes de instalar y utilizar este producto.

Escalera con escalones extraíbles

Manuel de usuario para:

48in (122 cm) & 52in (132 cm) modelos



Es una ilustración

132 cm (52 pulgadas mostradas)

No se olvide de probar otros productos Intex: Piscinas, Accesorios para piscinas, Piscinas inflables, Juguetes, Camas de aire y barcas están disponibles en nuestros distribuidores o visitando nuestra página web. Debido a una política de mejora continuada de producto, Intex se reserva el derecho a modificar las especificaciones y la apariencia, lo cual puede implicar cambios en el manual de instrucciones, sin previo aviso.



©2017 Intex Marketing Ltd. - Intex Development Co. Ltd. - Intex Trading Ltd.

- Intex Recreation Corp.

All rights reserved/Tous droits réservés/Todos los derechos reservados/Alle Rechte vorbehalten. Printed in China/Imprimé en Chine/Impreso en China/Gedruckt in China.

®™ Trademarks used in some countries of the world under license from/®™ Marques utilisées dans certains pays sous licence de/
Marcas registradas utilizadas en algunos países del mundo bajo licencia de/Warenzeichen verwendet in einigen Ländern der Welt in
Lizenz von/Intex Marketing Ltd. to/a/a/an Intex Trading Ltd., Intex Development Co. Ltd., G.P.O Box 28829, Hong Kong & Intex
Recreation Corp., P.O. Box 1440, Long Beach, CA 90801 • Distributed in the European Union by/Distribué dans l'Union Européenne
par/Distribuido en la unión Europea por/Vertrieb in der Europäischen Union durch/Intex Trading B.V., Venneveld 9, 4705 RR
Roosendaal - The Netherlands
www.intexcorp.com

TABLA DE CONTENIDOS

Advertencia.....	3
Referencia de piezas.....	4
Instrucciones de montaje.....	5-10
Preparación para almacenar durante un periodo largo.....	11
Seguridad acuática.....	11
Garantía limitada.....	12

**GUARDE LA CAJA PARA ALMACENARLA Y LAS
INSTRUCCIONES PARA VOLVERLA A MONTAR**

NORMAS IMPORTANTES DE SEGURIDAD

Lea, comprenda y siga todas las instrucciones cuidadosamente antes de instalar y utilizar este producto.

ADVERTENCIA

- Supervisar siempre a los niños y a las personas discapacitadas.
- Siempre ayude a los niños cuando utilicen la escalera para evitar caídas y/o lesiones graves.
- No se tire de cabeza o salte desde la escalera.
- Sitúe la escalera en una base sólida.
- Capacidad para una persona al mismo tiempo.
- Peso máximo: 300 lbs (136 kg). Cumple con los requisitos de resistencia según normativa EN16582.
- Sitúe la escalera para entrar o salir de la piscina.
- Retire la escalera y guárdela en un lugar seguro cuando la piscina no esté en uso.
- No nade debajo, detrás o a través de la escalera.
- Compruebe cada cierto tiempo que todos los tornillos estén perfectamente ajustados.
- Si nada en la noche utilice luces artificiales para iluminar la escalera, el suelo de la piscina y los carteles de advertencia.
- Montaje y desmontaje por adultos solo.
- La escalera está diseñada y fabricada para un medida específica de piscina y para una determinada playa. No lo use con otras piscinas.
- El incumplimiento del mantenimiento adecuado puede ocasionar un grave riesgo para la salud, especialmente para los niños.
- Utilice este producto tan sólo para el propósito descrito en el manual.

NO SEGUIR ESTAS INSTRUCCIONES PUEDE PROVOCAR ACCIDENTES, ATRAPAMIENTOS, PARALISISL, AHOGAMIENTOS U OTROS ACCIDENTES MÁS GRAVES.

Las advertencias del producto, instrucciones y normas de seguridad proporcionadas con el producto representan los riesgos más comunes de jugar y utilizar el producto, pero no abarca todos los riesgos posibles. Por favor, utilice el sentido común y el buen juicio cuando esté disfrutando de alguna actividad de agua.

IMPORTANTE

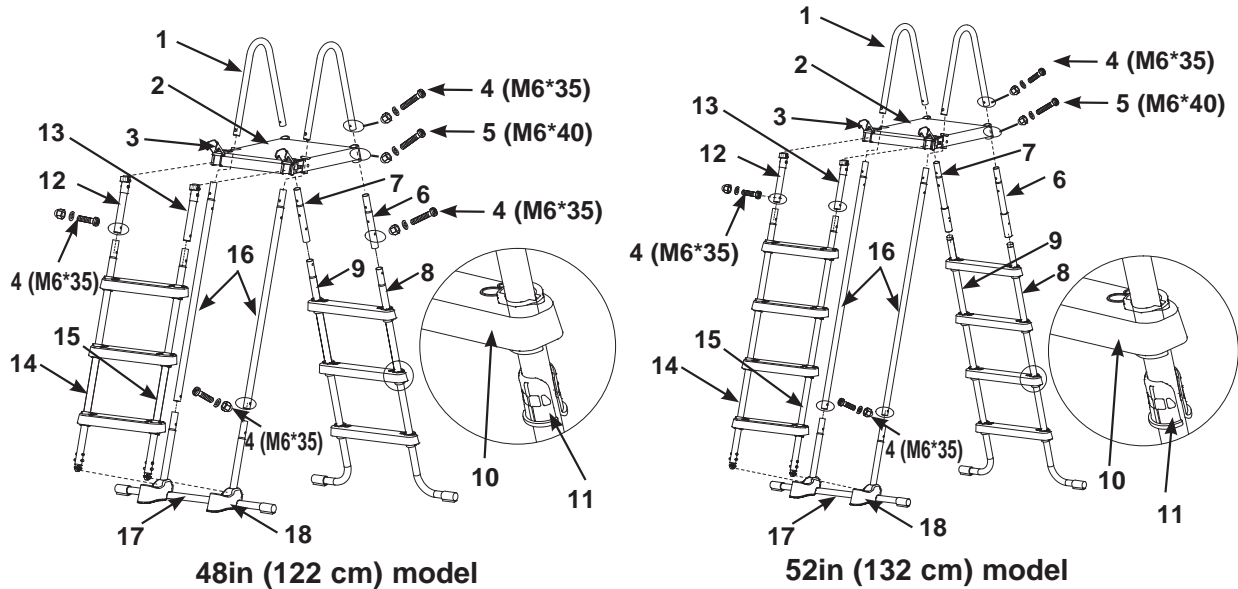
Es muy importante preparar las piezas cor rectamente e identificar qué partes se conectan entre sí antes de comenzar el ensamblado. Aunque algunas partes se parecen, no son siempre intercambi ables. Consulte la lista de piezas.

Esta escalera ha sido diseñada y fabricada para la altura de las paredes de las piscinas Intex:

Número de referencia	Altura pared de la piscina
28076	48in (122cm)
28077	52in (132cm)

REFERENCIA DE PIEZAS

Antes de montar este producto, por favor, tómese unos minutos para chequear el contenido y familiarizarse con todas las piezas.



48in (122 cm) model

52in (132 cm) model

ADVERTENCIA: Los dibujos son solo para su referencia, pueden no reflejar el producto real y no son a escala.

PIEZA NO.	DESCRIPCION	ESCALERA DE ALTURA & CANTIDAD		REFERENCIA N°	
		48in	52in	48in	52in
		#28076	#28077	#28076	#28077
1	PASAMANOS U	2	2	12512	12512
2	PLATAFORMA SUPERIOR	1	1	12182	12182
3	ABRAZADERA	2	2	12190	12190
4	TORNILLOS CORTOS PARA LOS PASAMANOS (CON 1 EXTRA)	11	9	10810	10810
5	TORNILLOS LARGOS PARA LA ABRAZADERA (CON 1 EXTRA)	5	5	10227	10227
6	PIEZA A - PIEZA DE ARRIBA DE LA BARANDA ("A"IMPRESO)	1	1	12669A	12643A
7	PIEZA A - PIEZA DE ARRIBA DE LA BARANDA ("B"IMPRESO)	1	1	12669B	12643B
8	PIEZA A - PIEZA DE ABAJO DE LA BARANDA EN J ("A" IMPRESO)	1	1	12670A	12644A
9	PIEZA A - PIEZA DE ABAJO DE LA BARANDA EN J ("B" IMPRESO)	1	1	12670B	12644B
10	ESCALONES	6	8	12629	12629
11	MANGUITO DE ANCLAJE DEL PELDAÑO	12	16	12630	12630
12	PIEZA B - PIEZA DE ARRIBA DE LA BARANDA ("A1"IMPRESO)	1	1	12653A	12653A
13	PIEZA B - PIEZA DE ARRIBA DE LA BARANDA ("B1"IMPRESO)	1	1	12653B	12653B
14	PIEZA B - PIEZA DE ABAJO DE LA BARANDA ("A1"IMPRESO)	1	1	12651A	12654A
15	PIEZA B - PIEZA DE ABAJO DE LA BARANDA ("B1"IMPRESO)	1	1	12651B	12654B
16	PIEZA C - PIEZA DE ARRIBA DE LA BARANDA ("C"IMPRESO)	2	2	12652	12655
17	PIEZA C - PIEZA DE ABAJO EN JOTA DE LA BARANDA ("C"IMPRESO)	1	1	12650	12650
18	SOPORTE	2	2	11356	11356

HERRAMIENTAS NECESARIAS: Un (1) desatornillador Phillips, un (1) destornillador plano pequeño
Un (1) par de alicates o una llave ajustable pequeña

MONTAJE DE LA ESCALERA

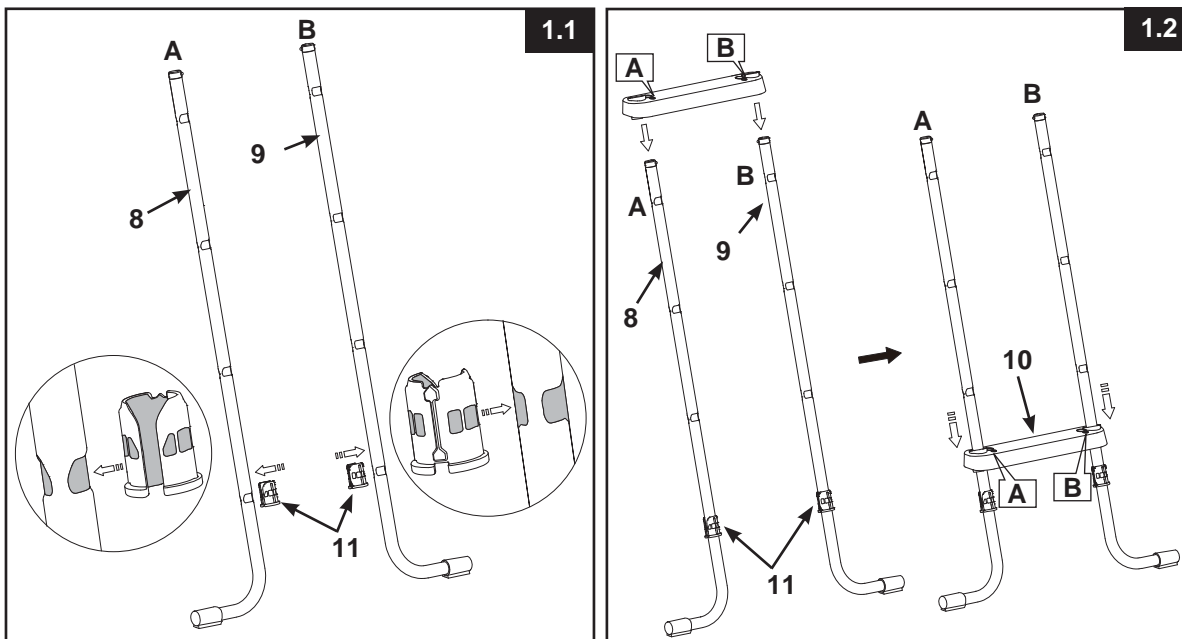
Tiempo estimado de montaje 30-60 minutos (estimación aproximada y variará en función de cada persona).



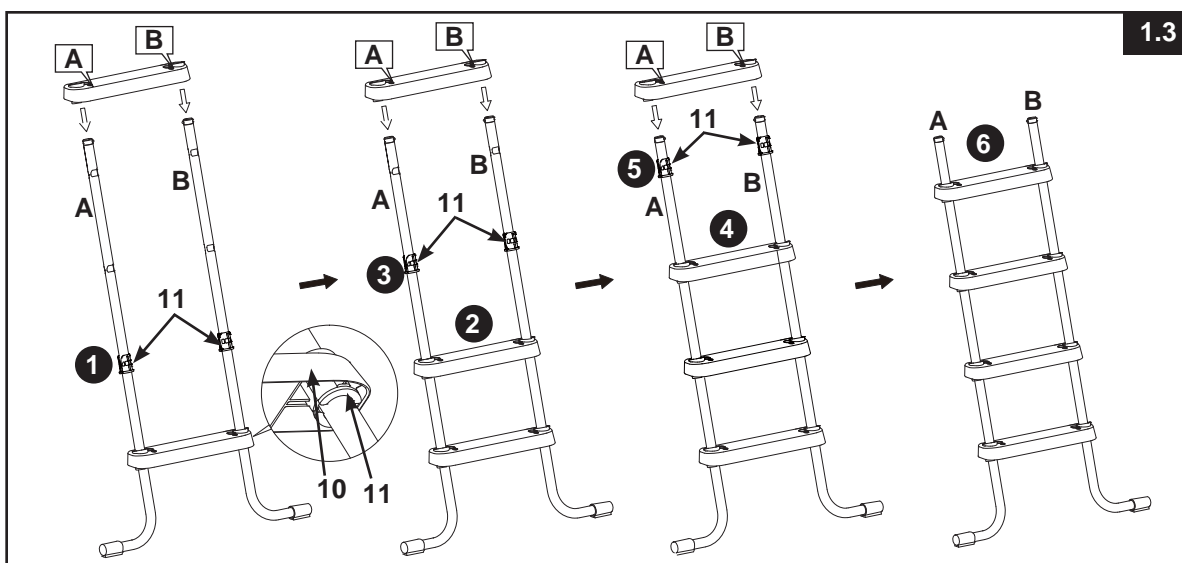
ADVERTENCIA

PARTES MAL CONECTADAS ENTRE SI, PUEDEN OCASIONAR QUE LA ESCALERA SEA INESTABLE O QUE SE DESPRENDA ALGUNA PIEZA, PUDIENDO CAUSAR LESIONES, CAÍDAS O LA MUERTE.

1. MONTAJE DE LA PIEZA A DE LA BARANDA (Vea las figuras del 1.1 a 1.4):

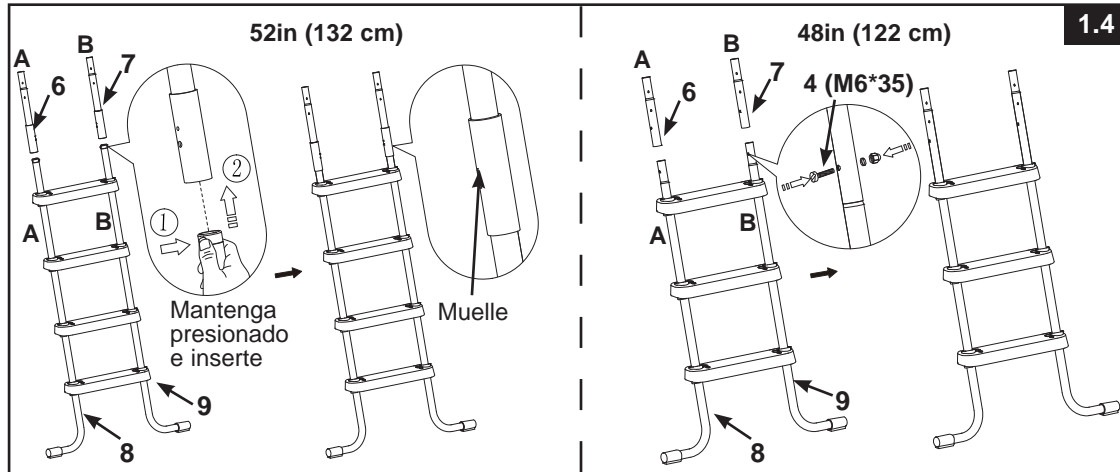


IMPORTANT: Asegúrese que las barandas en J miran hacia afuera antes de instalar los escalones.

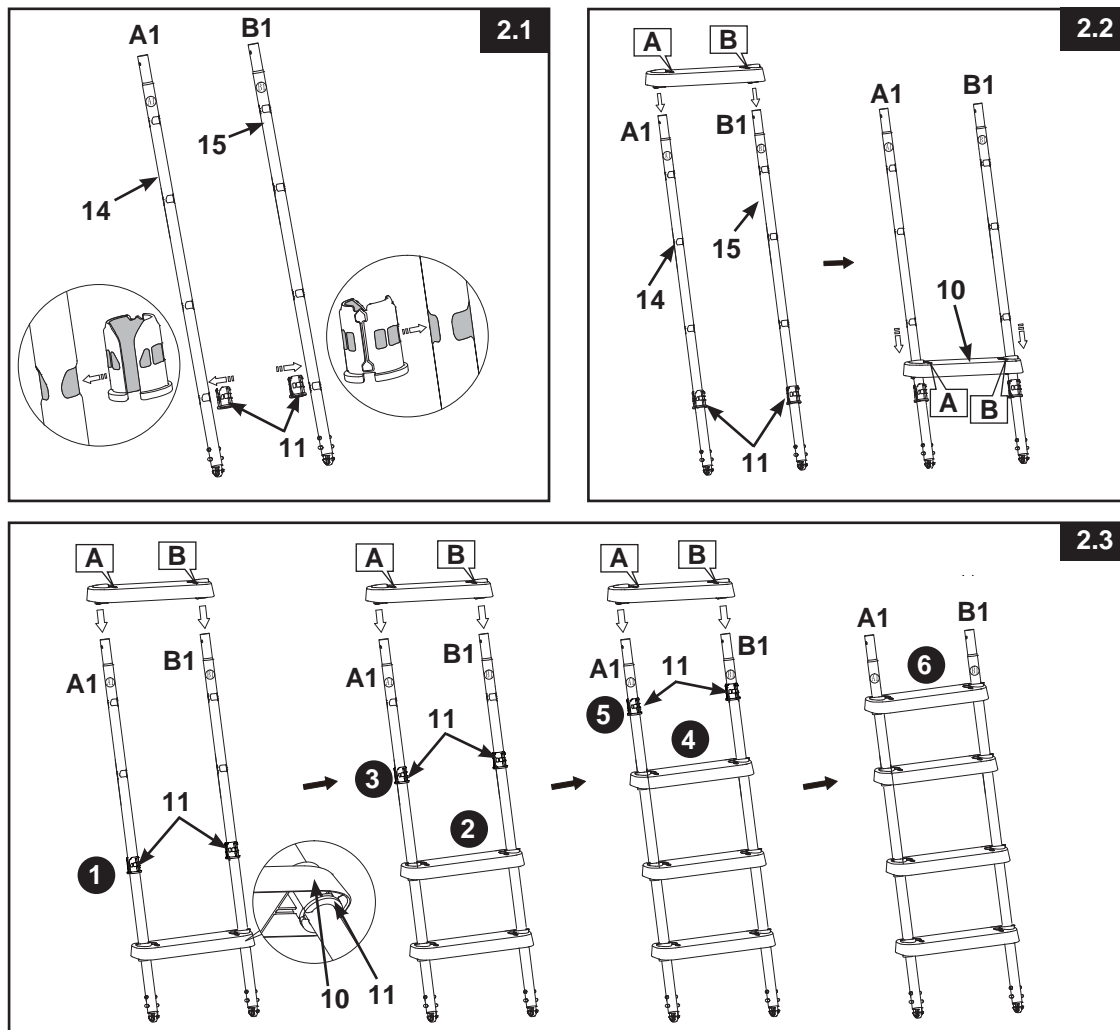


MONTAJE DE LA ESCALERA (cont.)

- MONTAJE DE LAS PATAS DEL LADO SUPERIOR A (ver figura 1.4):

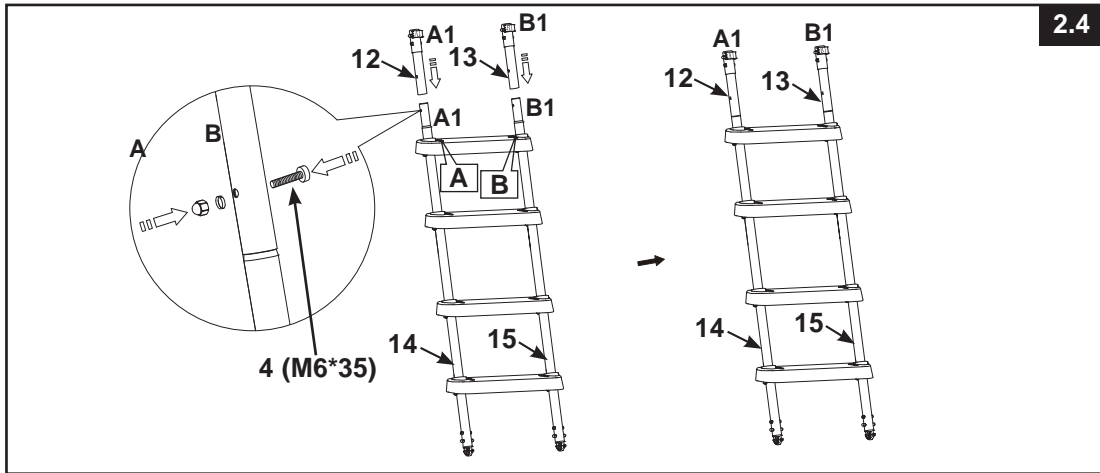


- 2. MONTAJE DE LA PIEZA B DE LA BARANDA (Vea las figuras del 2.1 a 2.4):

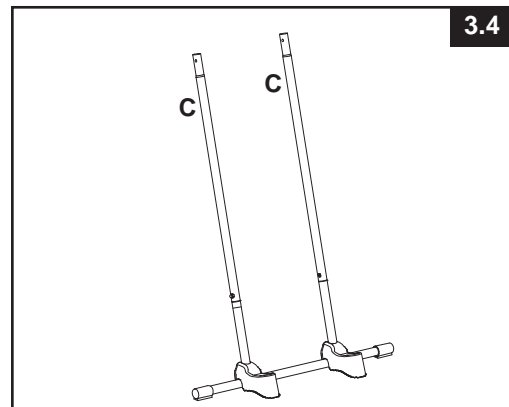
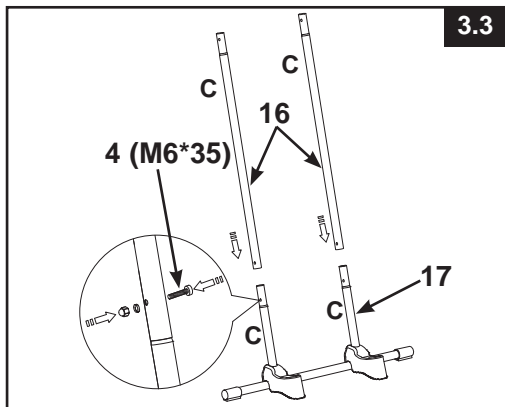
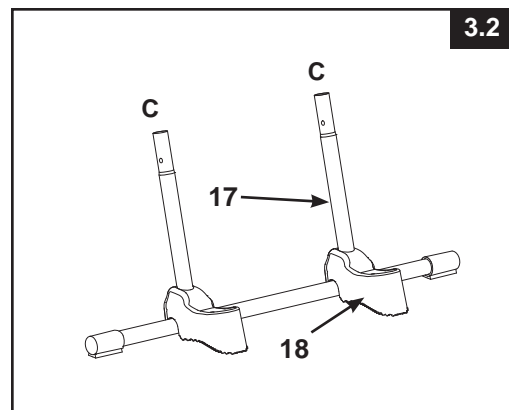
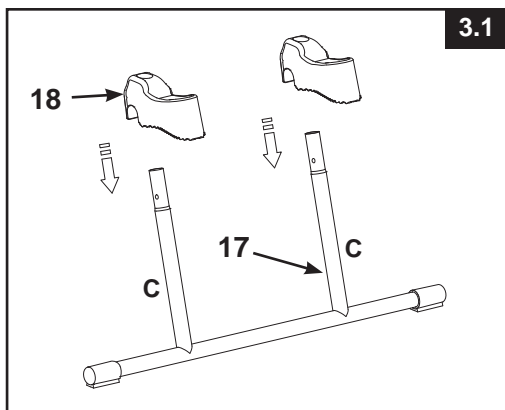


MONTAJE DE LA ESCALERA (cont.)

- MONTAJE DE LAS PATAS DEL LADO SUPERIOR B (ver figura 2.4):



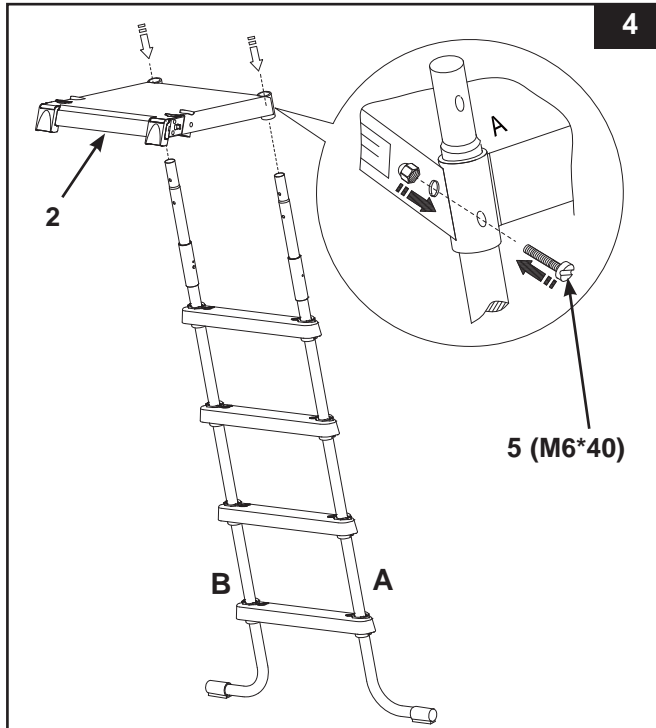
- 3. MONTAJE DE LA PIEZA C DE LA BARANDA (Vea las figuras del 3.1 a 3.4):



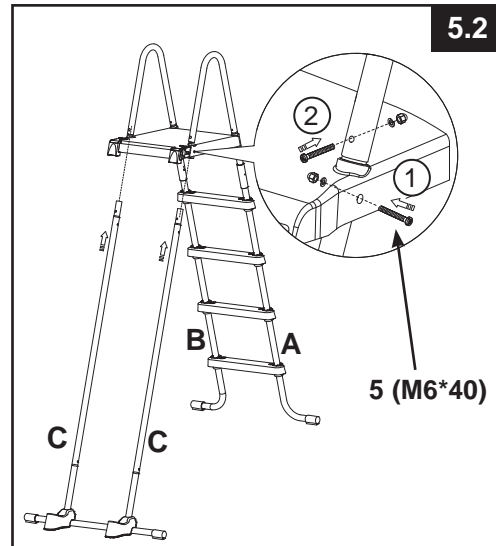
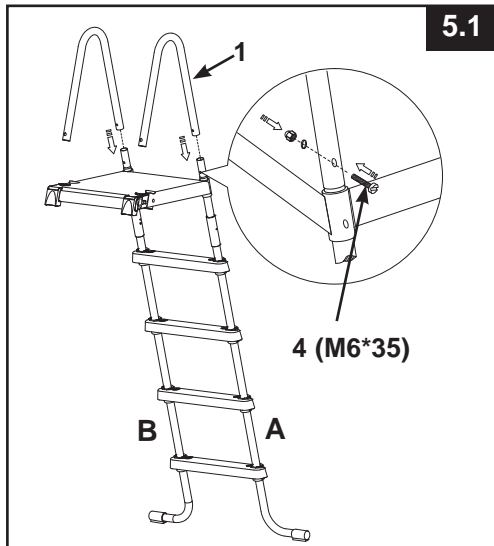
IMPORTANTE: Asegúrese de que las barandas (patas de la escalera) se encuentran correctamente ensambladas y totalmente encajadas.

MONTAJE DE LA ESCALERA (cont.)

4. INSTALACIÓN DE LOS SOPORTES SUPERIORES (ver figura 4):



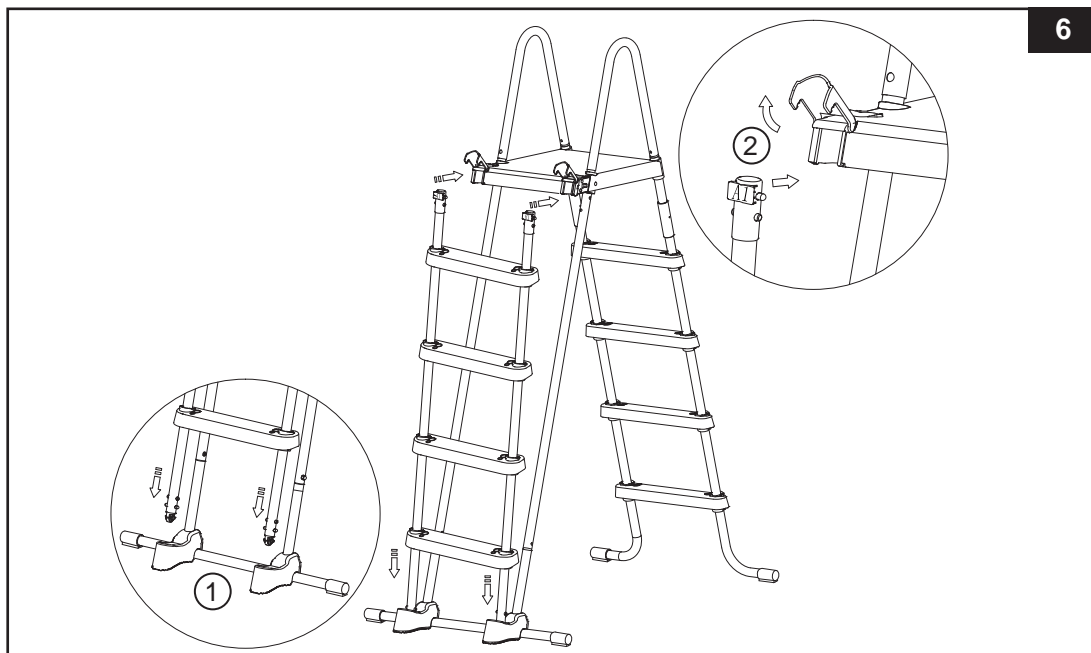
5. INSTALACIÓN DE LOS PASAMANOS "U" (Vea las figuras del 5.1 a 5.2):



IMPORTANTE: Cada lado a la vez. No conecte el otro lado de la escalera hasta que el pasamanos en forma de U se haya instalado. Asegúrese de que todas las tuercas y tornillos estén bien apretados. No apriete totalmente los tornillos hasta que haya terminado el montaje.

MONTAJE DE LA ESCALERA (cont.)

6. MONTAJE DE LA PIEZA B DE LA BARANDA (ver figura 6):



ADVERTENCIA

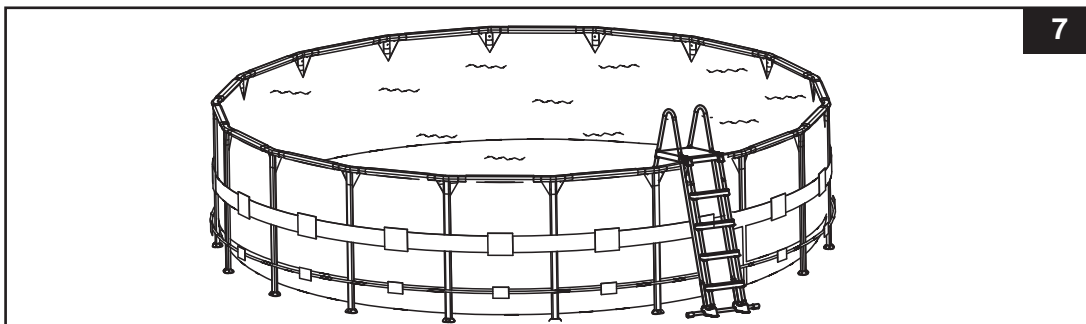
ANTES DE CADA USO, ASEGÚRESE DE QUE LOS ESCALONES EXTRAÍBLES ESTÉN ANCLADOS EN EL SOPORTE Y CORRECTAMENTE ENCAJADOS EN LAS ABRAZADERAS SITUADAS EN EL BORDE FRONTAL DE LA PARTE SUPERIOR.

7. MANTENIMIENTO: Compruebe regularmente todas las tuercas, los tornillos, los peldaños y los manguitos de anclaje de los peldaños, para asegurarse de que todas las piezas estén sujetadas correctamente y de que la escalera sea resistente.

8. ANTES DE USAR LA ESCALERA (ver figura 7):

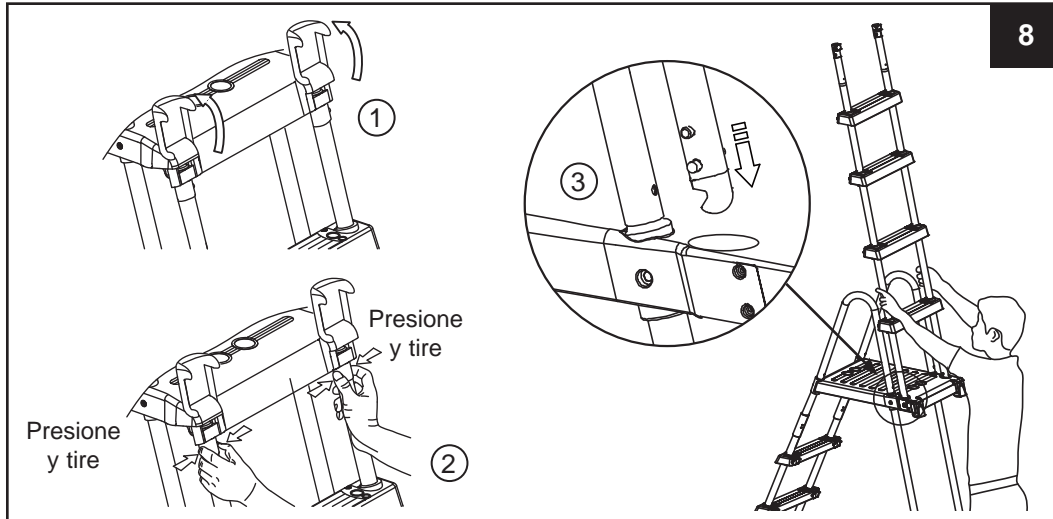
Con todas las partes ahora en su lugar, compruebe que todos los tornillos / tuercas estén bien apretados y aplicar presión a cada peldaño para asegurarse de que están plenamente anclado en su lugar.

IMPORTANTE: La parte de la escalera donde los escalones son extraíbles, deberá estar situada fuera de la piscina.



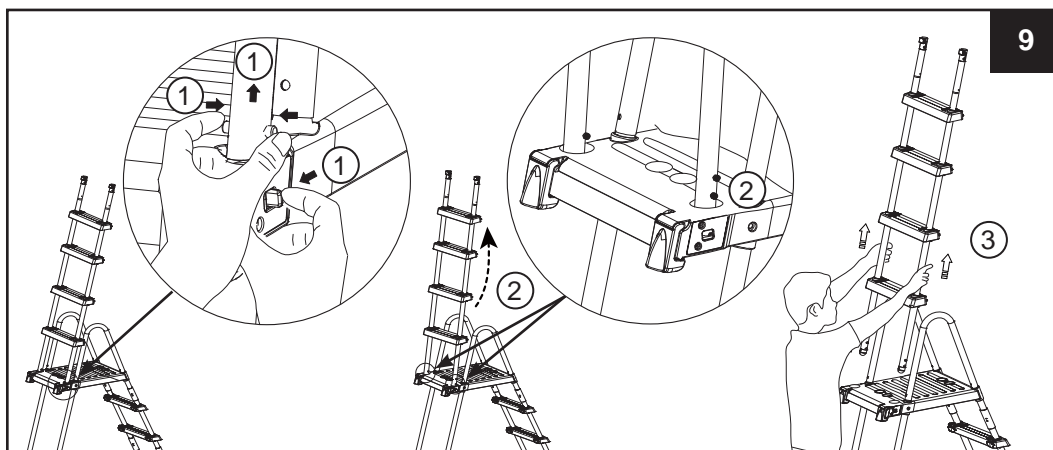
MONTAJE DE LA ESCALERA (cont.)

9. DESPUÉS DEL USO DE LA ESCALERA (ver figura 8):



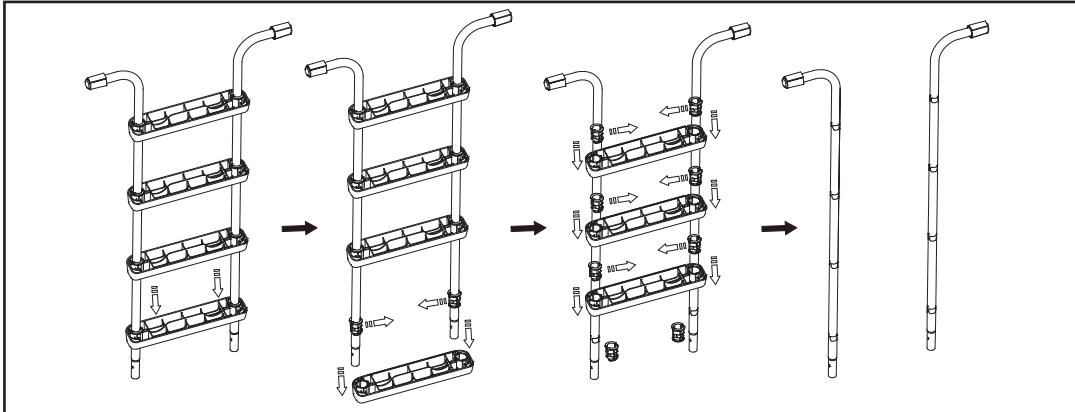
10. Cómo retirar el conjunto de peldaños de su posición bloqueada (ver figura 9):

- Mientras mantiene tirado hacia usted el pestillo con su mano derecha, presione los extremos blancos de los pasadores de resorte con su mano izquierda y, simultáneamente, levante dicha pata para extraerla de su alojamiento y dejar expuesto los extremos blancos de los pasadores de resorte.
- Deje la pata apoyada sobre el refuerzo superior (asegurándose de que no descienda y vuelva a encajarse en su alojamiento) y, actuando con rapidez, levante el conjunto de peldaños desmontable para retirarlo de su posición bloqueada.
- Consulte el paso 6 para informarse sobre cómo volver a fijar en su sitio el conjunto de peldaños desmontable.



ALMACENAJE EN INVIERNO/PREPARACIÓN PARA ALMACENAR DURANTE UN PERIODO LARGO

1. Retire los "escalones extraíbles" como se ilustra en la sección <Después del uso>, ver figura 8.
2. Retire la escalera de la piscina y asegúrese de que la escalera y los escalones extraíbles estén completamente secos antes de su almacenamiento a largo plazo.
3. Guarde la escalera y todos sus componentes interiores en un lugar seguro y seco, preferentemente entre 32 ° F (0 ° C) y 104 ° F (40 ° C).
4. Asegúrese de que la escalera y todos los componentes se almacenen en un lugar seguro fuera del alcance de los niños.
5. Desmontaje de los peldaños:



ADVERTENCIA

CUANDO NO UTILICE LA ESCALERA, DEBE PERMANECER EN POSICIÓN DE SEGURIDAD. EXTRAIGA LOS ESCALONES FRONTALES CUANDO NO SE USE LA PISCINA O ESTÉ OCUPADA. GUARDE LOS ESCALONES EXTRAIBLES EN UN LUGAR SEGURO, FUERA DEL ALCANCE DE LOS NIÑOS. VUELVA A CERRAR LAS ABRAZADERAS.

SEGURIDAD ACUÁTICA

Recrearse en el agua es divertido y terapéutico. Aunque envuelve riesgos inherentes de daños e incluso la muerte. Para reducir el riesgo de daños o lesiones, lea y siga todas las advertencias e instrucciones del producto y del embalaje. Recuerde que aunque las instrucciones de seguridad y las advertencias del producto mencionan los riesgos más comunes de la diversión en el agua, no cubren ni mencionan todos los riesgos y/o peligros.

Para una protección adicional, familiarícese Usted mismo con las siguientes instrucciones, así como con las instrucciones reconocidas nacionalmente por Organizaciones de Seguridad:

- Exija una constante vigilancia. Un adulto competente debe ser designado como "salvavidas" o guardián del agua, especialmente cuando los niños están en la piscina o próximos a ésta.
- Aprenda a nadar.
- Dedique tiempo a aprender primeros auxilios.
- Enseñe a las personas que estén designadas para supervisar los usuarios de la piscina sobre los peligros potenciales así como el uso de dispositivos de protección, tales como puertas cerradas, barreras, etc.
- Instruya a todos los usuarios de la piscina, incluidos los niños, como actuar en caso de emergencia.
- Utilice siempre el sentido común y un buen juicio cuando esté disfrutando de alguna actividad en el agua.
- Supervisión, supervisión y supervisión.

GARANTÍA LIMITADA

Su Escalera para Piscina ha sido fabricada con los materiales de más alta calidad y utilizando mano de obra calificada. Todos los productos Intex han sido cuidadosamente examinados para comprobar que no tienen ningún defecto antes de salir de la fábrica. La Garantía Limitada sólo se aplica a las Escalera para Piscina.

Esa garantía limitada es un anexo, y no un sustituto para sus derechos y recursos legales. En la medida en que esta garantía sea incompatible con sus términos legales, tales términos tienen prioridad. Por ejemplo, la ley de consumidores de la Unión Europea establece derechos de garantía adicionales a los cubiertos por esta garantía limitada: para información sobre la ley de consumidores, por favor, visite la página del Centro de la Comunidad Europea en http://ec.europa.eu/consumers/ecc/contact_en/htm.

La cláusula de garantía sólo concierne al comprador y no es transferible. Esta Garantía Limitada es válida por un período de 90 días desde la fecha de compra inicial. Conserve su ticket de compra junto con este manual para probar de esta manera su compra en caso de que le sea requerido y siempre debe acompañar a las reclamaciones en garantía en caso contrario será invalidada dicha garantía.

Si el defecto de fabricación se encuentra dentro de los plazos que se señalan anteriormente, por favor, póngase en contacto con el correspondiente Centro de Servicio de Intex que aparece en la hoja "Centros Autorizados de Atención". Si el ítem estuviera cubierto por lo previsto en la garantía, el artículo será reparado o sustituido, por un artículo igual o semejante (por elección de Intex) sin ningún coste para Usted.

Cualquier otra garantía, y cualquier otro derecho legal de su país, no implican garantías adicionales. En la medida del posible en su país, en ningún caso Intex será responsable por Usted o cualquier tercera parte por los daños directos o indirectos causados fuera del ámbito de utilización de su Escalera para Piscina, o de las acciones de Intex o sus agentes y empleados (incluyendo la fabricación del producto). Alcuni paesi o giurisdizioni non consentono l'esclusione o la limitazione dei danni incidentali o consequenziali, pertanto la suddetta limitazione o esclusione potrebbe non applicarsi a voi.

Usted debe ser consciente que esta garantía limitada no es aplicable a las siguientes circunstancias:

- Si el Escalera para Piscina fuera objeto de negligencia, utilización o aplicación anormal, accidente, operación inadecuada, arrastre o remolque, mantenimiento o almacenaje inapropiados.
- Si el Escalera para Piscina es objeto de defecto en circunstancias que se encuentren fuera del alcance de Intex, incluyendo, pero no limitado a uso y desgaste comunes y daños causados por exposición a fuego, inundaciones, congelación, lluvias o fuerzas externas de la naturaleza;
- A las partes y componentes no vendidos por Intex; y/o
- A alteraciones, reparaciones o desmontaje no autorizados del Escalera para Piscina por cualquier persona ajena al Servicio Técnico de Intex.

Los gastos asociados a la pérdida de agua de la piscina, utilización de productos químicos o daños causados por fuga de agua no están cubiertos por esta Garantía. Las lesiones o daños a cualquier propiedad o persona no están cubiertos por esta Garantía.

Leer el manual del propietario con atención y seguir todas las instrucciones referentes a la operación y mantenimiento apropiados de su Escalera para Piscina. Revise siempre su producto antes de su utilización. Su garantía limitada puede invalidarse si no sigue las instrucciones.

WICHTIGE SICHERHEITSHINWEISE

Lesen Sie die Anleitung, bevor Sie mit der Installation des Produktes beginnen, und befolgen Sie die Anweisungen genau.

Leiter mit entfernbaren Stufen

Bedienungsanleitung für: Leiter 48"
122 cm & 132 cm - Modelle



Ist der Pool nicht herrlich? Wenn Sie Lust verspüren, noch andere Intex-Produkte auszuprobieren, wie unser Pool-Zubehör oder die Luftbetten, sowie die Spielwaren oder die Boote, dann besuchen Sie uns doch einfach auf unserer Homepage unter www.steinbach.at. Unsere Produkte sind auch im Fachhandel erhältlich. Wegen der Politik der kontinuierlichen Produktverbesserung behält sich INTEX das Recht vor, Daten, Erscheinungsbilder oder Updates (Produktspezifikationen) jederzeit ohne Vorankündigung zu ändern!



©2017 Intex Marketing Ltd. - Intex Development Co. Ltd. - Intex Trading Ltd.
- Intex Recreation Corp.

All rights reserved/Tous droits réservés/Todos los derechos reservados/Alle Rechte vorbehalten. Printed in China/Imprimé en Chine/Impreso en China/Gedruckt in China.

©™ Trademarks used in some countries of the world under license from/©™ Marques utilisées dans certains pays sous licence de/ Marcas registradas utilizadas en algunos países del mundo bajo licencia de/Warenzeichen verwendet in einigen Ländern der Welt in Lizenz von/Intex Marketing Ltd. to/à/a/an Intex Trading Ltd., Intex Development Co. Ltd., G.P.O Box 28829, Hong Kong & Intex Recreation Corp., P.O. Box 1440, Long Beach, CA 90801 • Distributed in the European Union by/Distribué dans l'Union Européenne par/Distribuido en la unión Europea por/Vertrieb in der Europäischen Union durch/Intex Trading B.V., Venneveld 9, 4705 RR Roosendaal – The Netherlands
www.intexcorp.com

INHALTSVERZEICHNIS

Wichtige Sicherheitsvorschriften.....	3
Teilerferenz.....	4
Aufbauanleitung.....	5-10
Langzeitlagerung.....	11
Generelle Sicherheitshinweise.....	11
Garantie.....	12

HEBEN SIE DEN KARTON FÜR DIE LAGERUNG UND DIE ANWEISUNGEN FÜR DIE ZERLEGUNG DER LEITER AUF

WICHTIGE SICHERHEITSVORSCHRIFTEN

Lesen und befolgen Sie alle Anweisungen, bevor Sie das Produkt in Betrieb nehmen!

⚠️ WARNUNG

- Lassen Sie Kinder und Menschen mit Behinderung nie unbeaufsichtigt.
- Bitte unterstützen und beaufsichtigen Sie Kinder bei der Benützung der Leiter, um Stürze bzw. ernsthafte Verletzungen zu vermeiden!
- Springen oder tauchen Sie nicht von dieser Leiter.
- Stellen Sie die Leiter auf eine ebene, solide Standfläche.
- Die Leiter kann immer nur von einer Person benutzt werden.
- Maximale Tragkraft: 136 kg. Entspricht den Belastungsanforderungen der Norm EN16582.
- Halten Sie die Leiter für den Ein- und Ausstieg stets griffbereit.
- Entfernen und verstauen Sie die Leiter, wenn der Pool nicht benützt wird.
- Schwimmen Sie nicht unter, durch oder hinter die Leiter.
- Überprüfen Sie regelmäßig alle Schrauben und Bolzen um sicher zu stellen, dass die Leiter stabil ist und stabil steht.
- Wenn Sie den Pool in der Nacht benutzen, sollten Sie Sicherheitszeichen Leitern, Poolboden und Wege beleuchten.
- Darf nur von Erwachsenen zusammen- und auseinander gebaut werden.
- Diese Leiter wurde für eine bestimmte Poolwandhöhe gefertigt. Nicht mit anderen Pools verwenden.
- Die Nichteinhaltung der Wartungsempfehlungen und Warnungen kann eine ein große Gefahr für die Gesundheit darstellen, besonders für Kinder.
- Die Leiter darf nur für die Zwecke verwendet werden, die in dieser Anleitung angeführt werden.

WENN SIE DIESE WARNHINWEISE NICHT BEACHTEN, KANN DIES ZU KNOCHENBRÜCHEN, ERTRINKEN ODER ANDEREN VERLETZUNGEN FÜHREN.

Diese Produktwarnungen, Anleitungen und Sicherheitsvorschriften können nicht alle Sicherheitsrichtlinien, die mit dem Produkt zusammenhängen, enthalten. Sie stellen nur allgemeine Risiken dar, und decken nicht alle Gefahren und möglichen Risiken ab. Wenn Sie sich im Pool befinden und entspannen, müssen Sie dennoch immer aufmerksam und vorsichtig sein.

WICHTIG

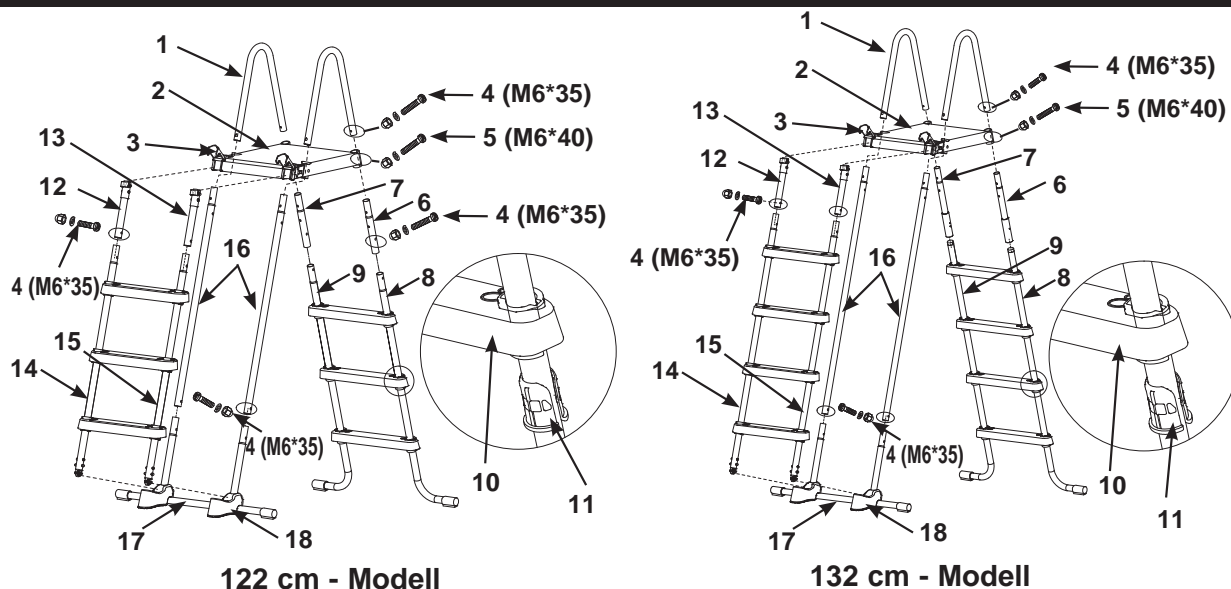
ÜBERPRÜFUNG DER EINZELTEILE: ES IST SEHR WICHTIG, DIE TEILE VOR DEM ZUSAMMENBAU MITTELS ANLEITUNG ZU PRÜFEN. AUFGRUND DER ÄHNLICHKEIT EINIGER TEILE IST DIE KORREKTE MONTAGE SEHR WICHTIG.

Diese Leiter ist konstruiert und hergestellt für die Wandhöhe des Intex-Pools:

Artikel Nr.	Höhe der Poolwand
28076	122cm
28077	132cm

TEILEREFERENZ

Bevor Sie mit dem Zusammenbau des Produkts beginnen, nehmen Sie sich bitte kurz Zeit, um den Inhalt zu überprüfen und sich mit den Einzelteilen vertraut zu machen.



122 cm - Modell

132 cm - Modell

HINWEIS: Abweichungen zum Produkt können vorhanden sein. Nicht maßstabgetreu.

TEILNUMMER	BESCHREIBUNG	LEITERGRÖSSE & MENGE		ERSATZTEILNUMMER	
				48in	52in
		48in	52in	#28076	#28077
1	U-FÖRMIGER OBERER HANDLAUF	2	2	12512	12512
2	OBERES TRITTBRETT	1	1	12182	12182
3	SCHNALLE	2	2	12190	12190
4	KURZE SCHRAUBEN FÜR U-FÖRMIGE HANDLÄUFE (1ERSATZ-SCHRAUBE)	11	9	10810	10810
5	LANGE SCHRAUBEN FÜR OBERSTES TRITTBRETT (1ERSATZ-SCHRAUBE)	5	5	10227	10227
6	A SEITE - OBERE SEITENSTANGE (MARKIERT MIT "A")	1	1	12669A	12643A
7	A SEITE - OBERE SEITENSTANGE (MARKIERT MIT "B")	1	1	12669B	12643B
8	A SEITE - J-FÖRMIGER FUSS (MARKIERT MIT "A")	1	1	12670A	12644A
9	A SEITE - J-FÖRMIGER FUSS (MARKIERT MIT "B")	1	1	12670B	12644B
10	STUFE	6	8	12629	12629
11	VERANKERUNGSMUFFE DER STUFE	12	16	12630	12630
12	B SEITE - OBERE SEITENSTANGE (MARKIERT MIT "A1")	1	1	12653A	12653A
13	B SEITE - OBERE SEITENSTANGE (MARKIERT MIT "B1")	1	1	12653B	12653B
14	B SEITE - UNTERE SEITENSTANGE (MARKIERT MIT "A1")	1	1	12651A	12654A
15	B SEITE - UNTERE SEITENSTANGE (MARKIERT MIT "B1")	1	1	12651B	12654B
16	C SEITE - OBERE SEITENSTANGE (MARKIERT MIT "C")	2	2	12652	12655
17	C SEITE - UNTERE U-FÖRMIGE SEITENSTANGE (MARKIERT MIT "C")	1	1	12650	12650
18	SOCKEL	2	2	11356	11356

BENÖTIGTES WERKZEUG:

Ein (1) Kreuzschlitzschraubenzieher, ein (1) kleiner Flachschaubendreher
Eine Zange oder ein kleiner verstellbarer Schraubenschlüssel

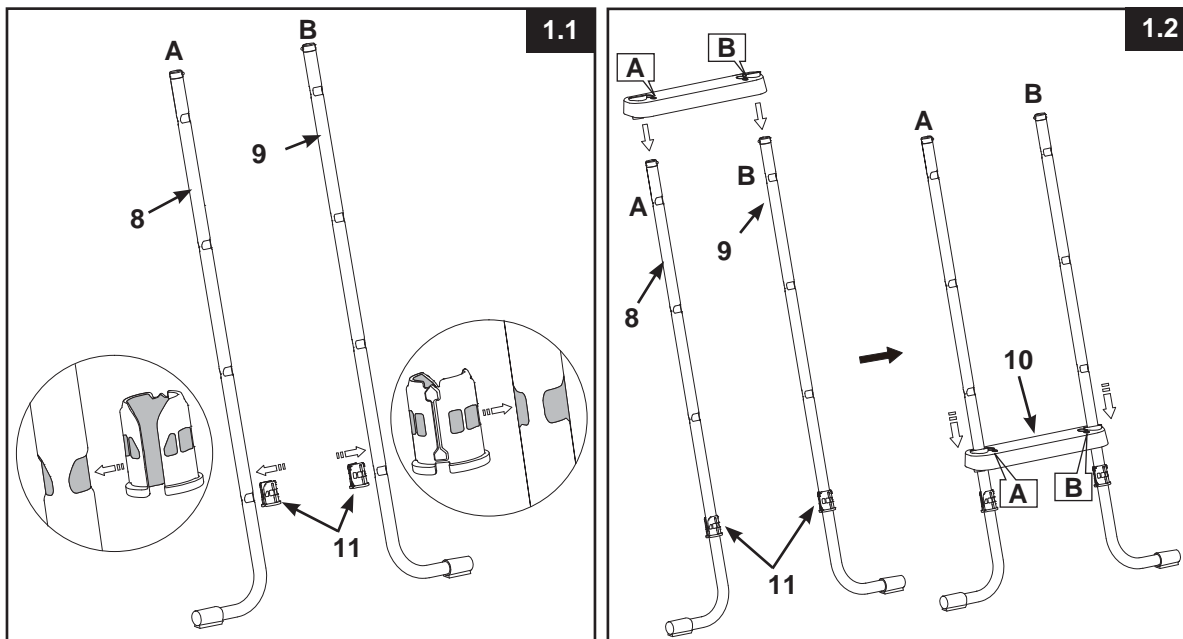
AUFSTELLEN DER LEITER

Die geschätzte Aufbauzeit beträgt 30-60 min. (Bitte berücksichtigen Sie, dass es sich hier um eine ungefähre Richtzeit handelt - die individuelle Aufbauzeit kann variieren.)

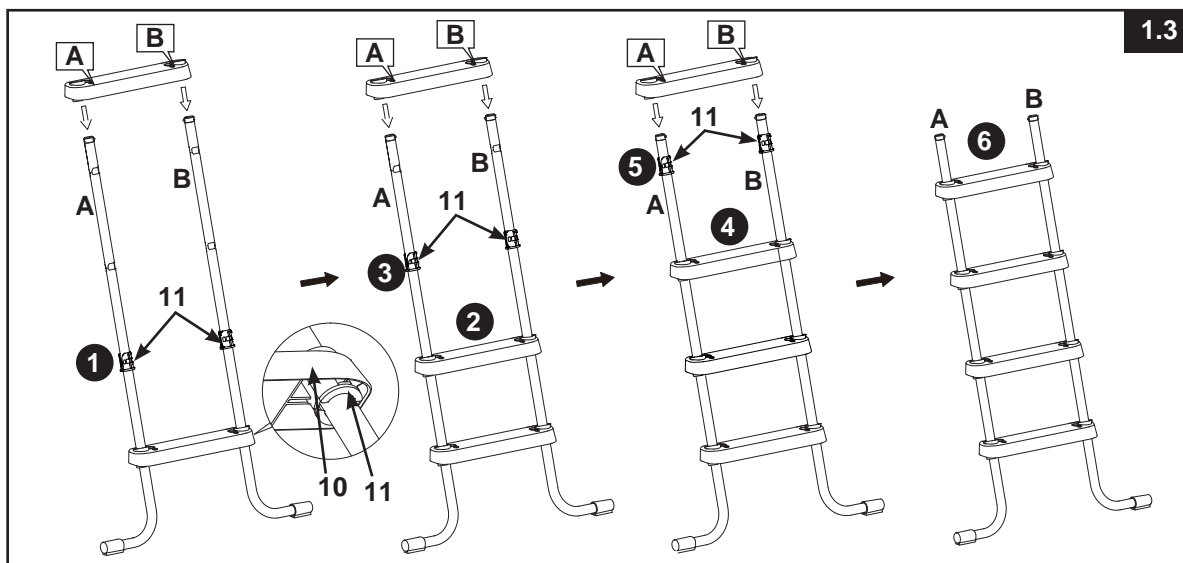
⚠️ WARNUNG

FALSCH VERBUNDENE TEILE KÖNNEN ZUR INSTABILITÄT DER LEITER FÜHREN. RESULTAT DER FALSCHEN MONTAGE KÖNNTEN STÜRZE BZW. SCHWERE VERLETZUNGEN SEIN.

1. ZUSAMMENBAU DER STANGEN AUF SEITE A (Sehen Sie Abb. 1.1 bis 1.4):

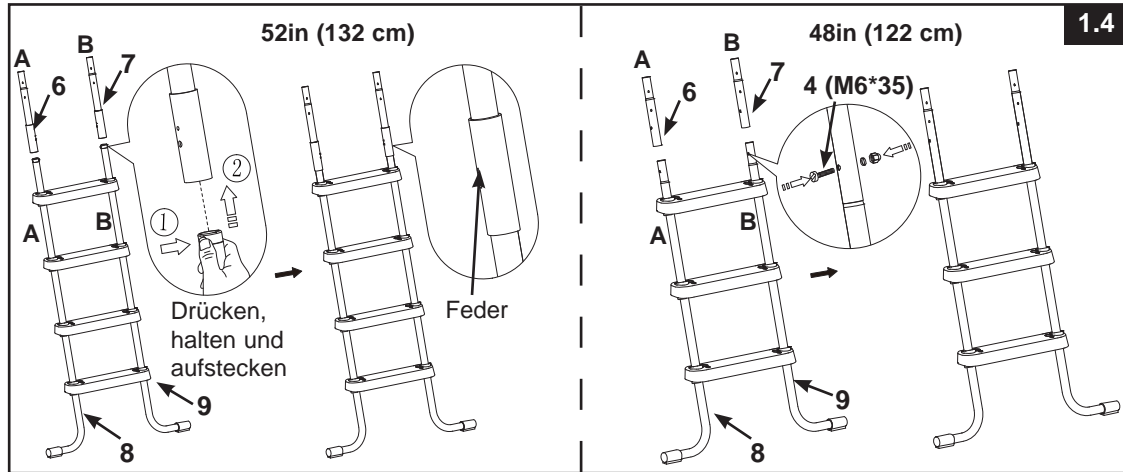


WICHTIG: Versichern Sie sich, dass die J-förmigen Füße nach außen schauen, bevor Sie die Stufen montieren.

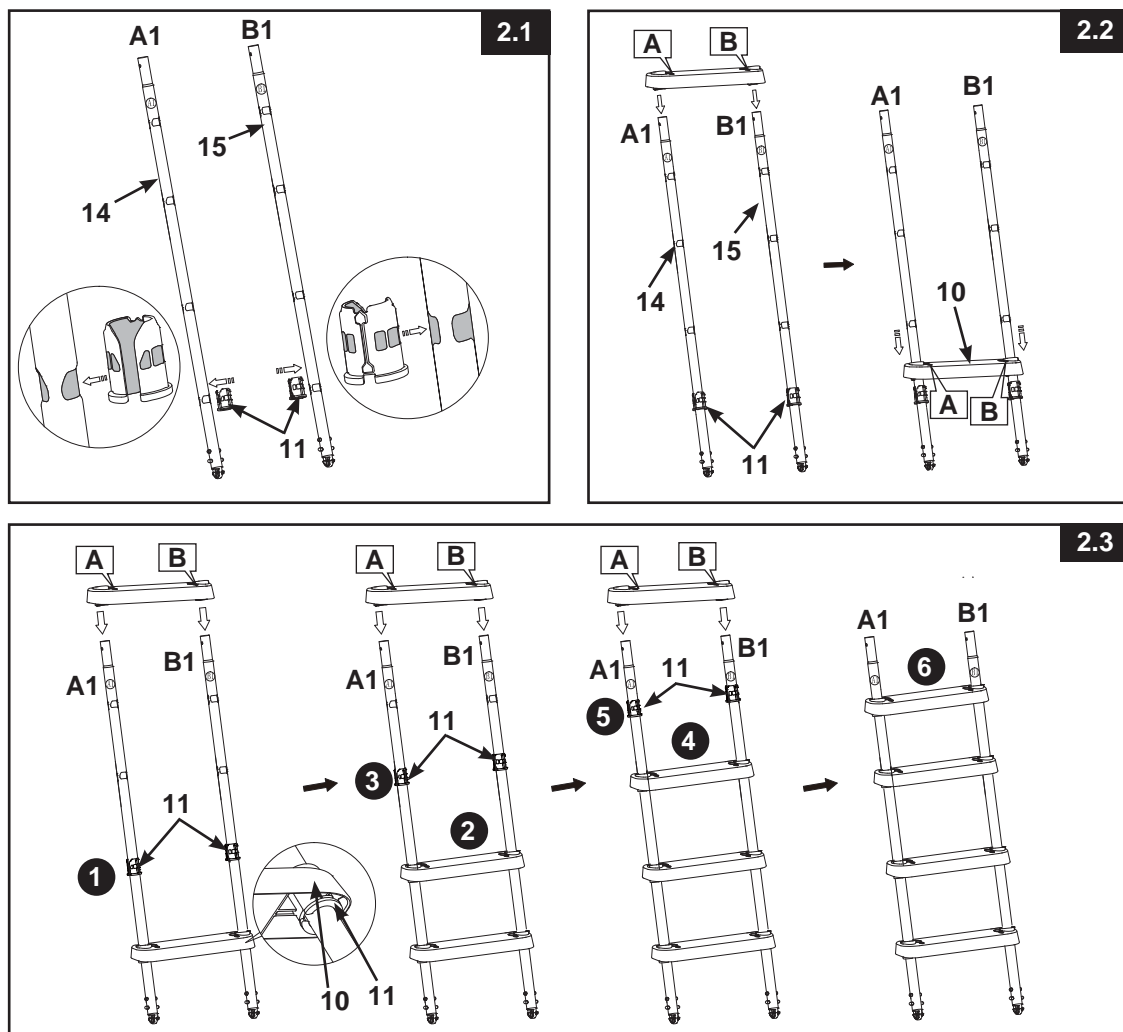


AUFSTELLEN DER LEITER (Fortsetzung)

- ZUSAMMENBAU DER OBEREN STANGEN SEITE A (Sehen Sie Abb.1.4):

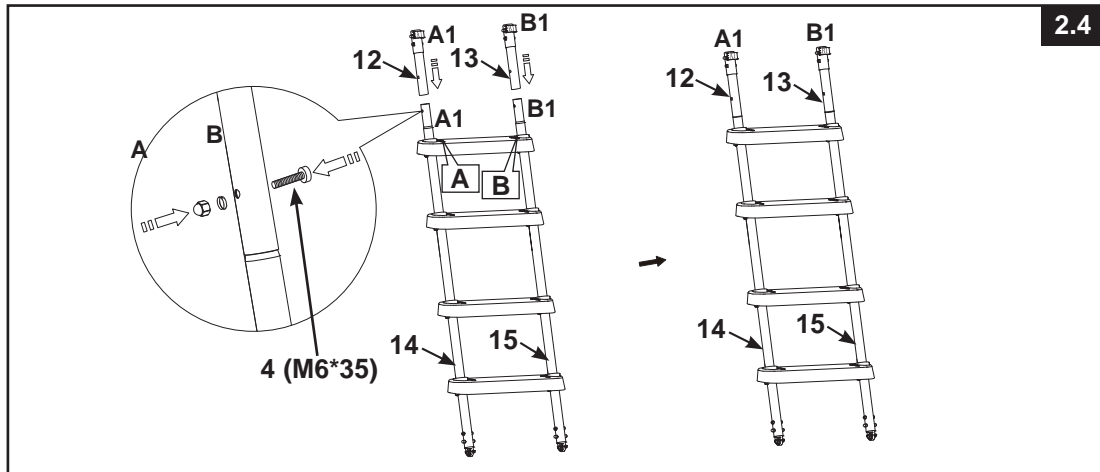


- 2. ZUSAMMENBAU DER STANGEN AUF SEITE B (Sehen Sie Abb. 2.1 bis 2.4):

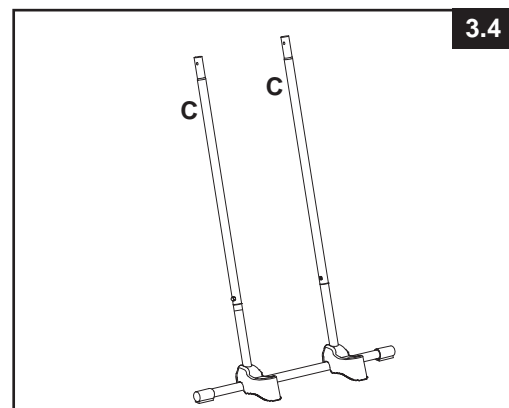
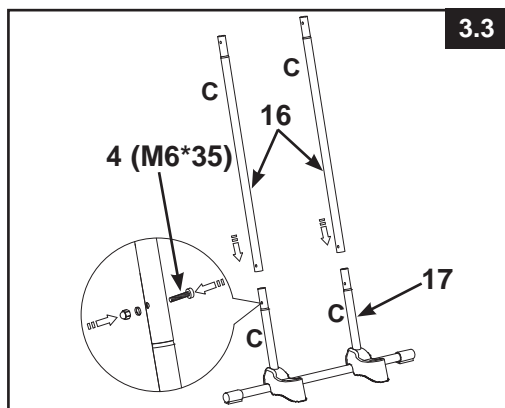
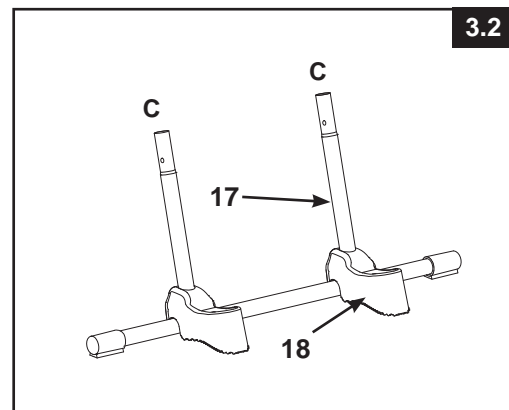
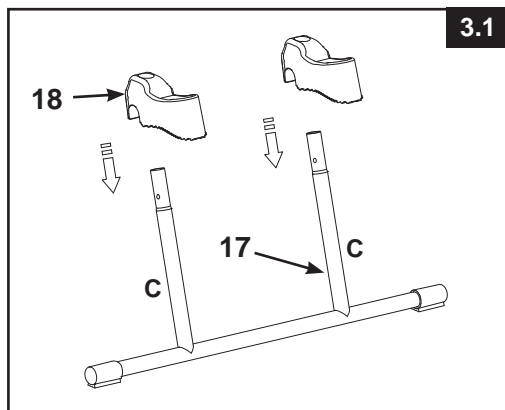


AUFSTELLEN DER LEITER (Fortsetzung)

- **ZUSAMMENBAU DER OBEREN STANGEN SEITE B (Sehen Sie Abb.2.4):**



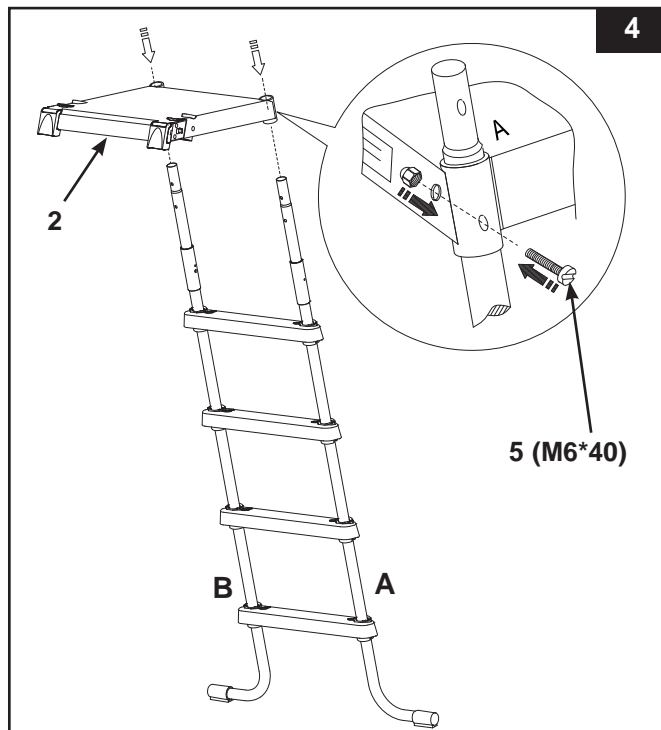
- **3. ZUSAMMENBAU DER STANGEN AUF SEITE C (Sehen Sie Abb. 3.1 bis 3.4):**



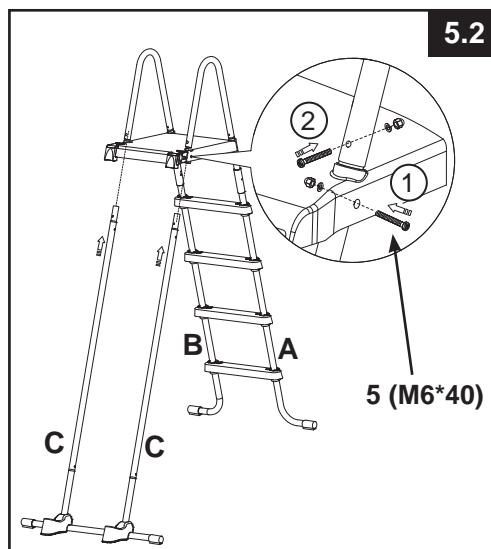
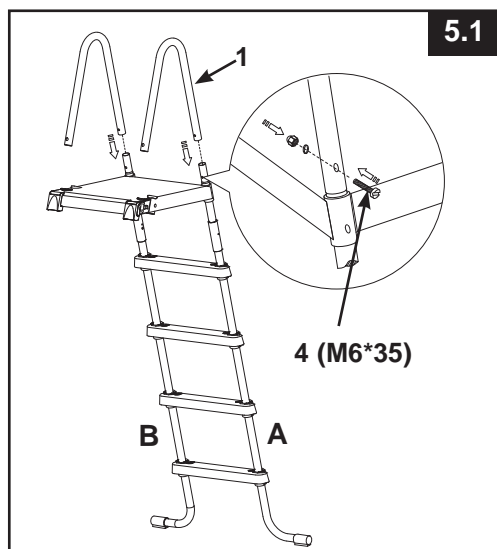
WICHTIG: Versichern Sie sich, dass alle Stangen sicher und fest zusammengebaut sind.

AUFSTELLEN DER LEITER (Fortsetzung)

4. ANBRINGEN DES OBEREN TRITTBRETTES (Sehen Sie Abb.4):



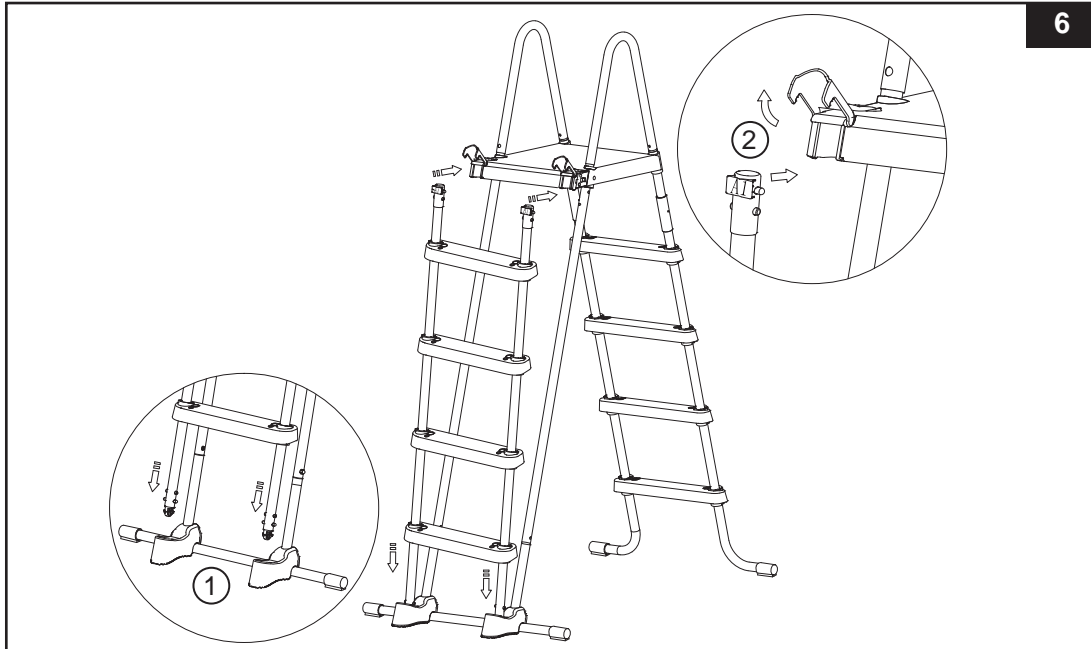
5. MONTAGE DER OBEREN HANDLÄUFE (Sehen Sie Abb. 5.1 bis 5.2):



WICHTIG: Bauen Sie die Leiter Seite für Seite zusammen. Verbinden Sie die zwei Seiten nicht, bevor die U-förmigen Handläufe montiert sind. Versichern Sie sich, dass alle Muttern und Bolzen sicher und fest angezogen sind. Die Schrauben sollten Sie erst dann fest anziehen, wenn die Leiter komplett zusammengebaut ist.

AUFSTELLEN DER LEITER (Fortsetzung)

6. MONTAGE DER STANGEN AUF SEITE B (Sehen Sie Abb. 6):



! WARNUNG

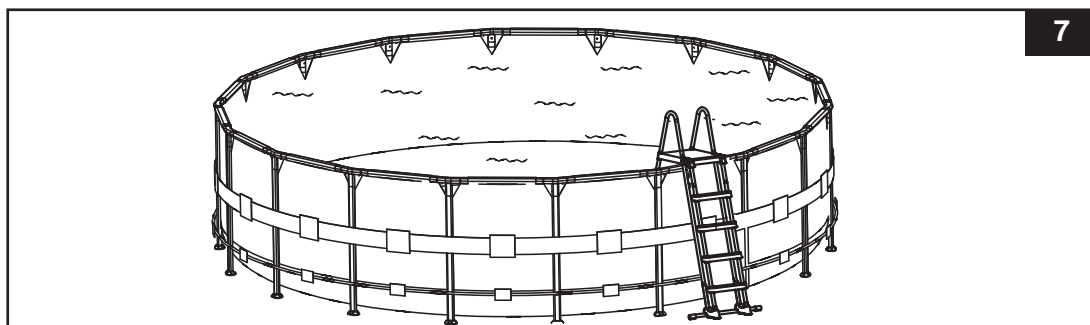
VERSICHERN SIE SICH VOR JEDER VERWENDUNG, DASS DIE ENTFERNBAREN STUFEN IM SOCKEL VERANKERT SIND UND SICHER ARRETIERT IN DEN SCHNALLEN SIND, DIE SICH AN DEN VORDEREN ECKEN DES TRITTBRETTES BEFINDEN..

7. Wartung: Prüfen Sie regelmäßig alle Muttern, Bolzen, Stufen und Verankerungsmuffen der Stufen, um sicherzustellen, dass alle Teile richtig fest sitzen und die Leiter stabil ist.

8. Vor Benützung der Leiter (siehe Abb. 7):

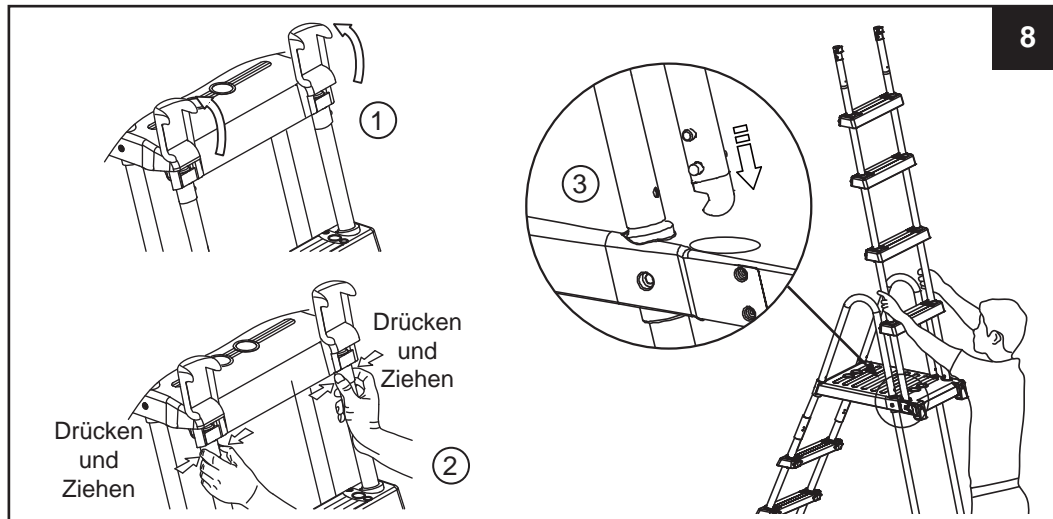
Nun befinden sich alle Teile an der richtigen Stelle. Überprüfen Sie nun, ob alle Schrauben vollständig angezogen sind. Drücken Sie jede Stufe fest nach unten, damit sie sicher vollständig verankert ist.

WICHTIG: Die Seite mit den entfernbaren Stufen muss sich außerhalb des Pools befinden.



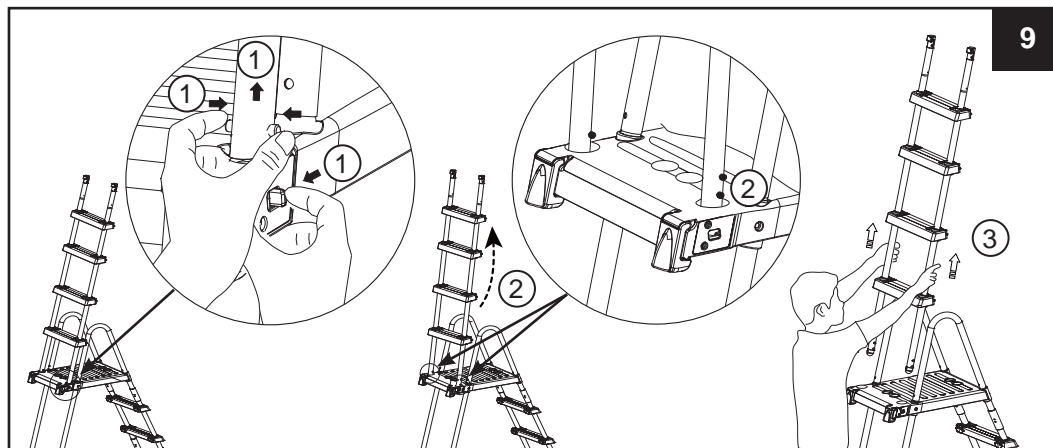
AUFSTELLEN DER LEITER (Fortsetzung)

9. Nach Verwendung der Leiter (Sehen Sie Abb. 8):



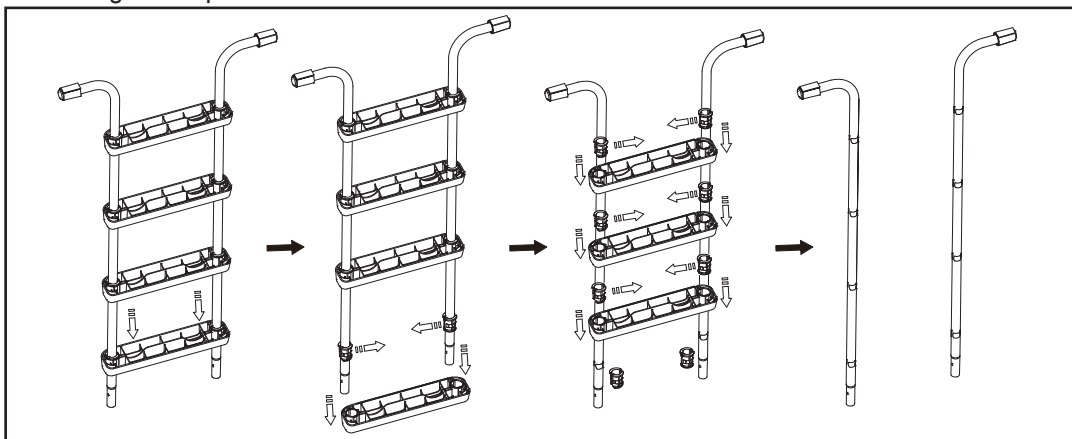
10. Stufen aus der gesicherten Position entfernen (Sehen Sie Abb. 9):

- Ziehen und halten Sie mit Ihrer rechten Hand den Verschlussriegel in Ihre Richtung, während Sie gleichzeitig mit Ihrer linken Hand die weißen hervorstehenden Knöpfe drücken und simultan das Standbein aus dem Hohlraum heben, sodass die unteren weißen, hervorstehenden Knöpfe freiliegen.
- Stützen Sie das Standbein auf der oberen Verstärkung auf (achten Sie darauf, dass es nicht zurück in den Hohlraum rutscht) und heben Sie rasch die „abnehmbare Stufeneinheit“ aus ihrer gesicherten Position.
- Siehe Schritt 6 zum erneuten Befestigen der abnehmbaren Stufen.



EINWINTERN/LANGZEITLAGERUNG

1. Entfernen Sie die "entfernbar Stufen" wie im Kapitel "Nach Verwendung der Leiter" (siehe Abbildung 8) beschrieben.
2. Geben Sie die Leiter aus dem Pool und vergewissern Sie sich, dass die Leiter und die entfernbaren Stufen komplett trocken sind, bevor Sie diese lagern.
3. Verstauen Sie die Leiter und alle Komponenten innen und lagern Sie diese an einem sicheren und trockenen Platz (empfohlene Raumtemperatur zwischen 0° und C / 32 ° F und 40° C).
4. Stellen Sie sicher, dass alle Komponenten sicher außerhalb der Reichweite von Kindern verstaut sind.
5. Demontage der sprasse Stufe:



WARNUNG

WIRD DIE LEITER NICHT VERWENDET, SOLLTE DIESE AN EINEM SICHEREN ORT AUFBEWAHRT WERDEN. ENTFERNEN SIE DIE VORDERE STUFENSEITE, WENN DER POOL NICHT VERWENDET WIRD. VERSTAUEN SIE DIE ENTFERNBAREN STUFEN AN EINEM SICHEREN ORT AUSSERHALB DER REICHWEITE VON KINDERN. SCHLIESSEN SIE DIE HINTEREN SCHNALLEN.

GENERELLE SICHERHEITSHINWEISE

Ihr Swimmingpool kann Ihnen viel Spaß und Freude bereiten, jedoch bringt das Wasser auch Risiken mit sich. Um eventuelle Verletzungsgefahren und lebensbedrohliche Situationen vermeiden zu können, lesen und halten Sie sich unbedingt an die Sicherheitshinweise, die dem Produkt beigelegt sind. Vergessen Sie nicht, dass die Warnhinweise auf den Packungen zwar viele, aber natürlich nicht alle möglichen Risiken beinhalten.

Zur zusätzlichen Sicherheit machen Sie sich bitte mit folgenden Richtlinien bekannt sowie mit Warnungen, die von nationalen Sicherheitsorganisationen zur Verfügung gestellt werden.

- Sorgen Sie für ununterbrochene Aufsicht. Ein zuverlässiger und kompetenter Erwachsener sollte die Funktion des Badewärters übernehmen, insbesondere wenn sich Kinder im oder in der Nähe des Pools befinden.
- Lernen Sie schwimmen.
- Nehmen Sie sich Zeit und machen Sie sich mit Erster Hilfe vertraut.
- Informieren sie jeden, der den Pool beaufsichtigt über die möglichen Gefahren sowie über die Benutzung von Schutzvorrichtungen, wie zum Beispiel verschlossene Türen, Absperrungen, usw.
- Informieren Sie alle Personen, inklusive Kinder, die den Pool benutzen darüber, was im Falle eines Unfalls zu tun ist.
- Vernunft und richtiges Einschätzungsvermögen während dem Baden sind wichtig.
- Beaufsichtigen, beaufsichtigen, beaufsichtigen.

GARANTIE

Ihre Intex-Pool-Leiter wurde aus hochwertigen Materialien hergestellt sowie erstklassig verarbeitet. Alle Intex-Produkte wurden vor Verlassen des Werks kontrolliert und als mangelfrei befunden. Diese Garantie gilt nur für die Intex-Pool-Leiter.

Diese eingeschränkte Garantie gilt nicht anstatt, sondern zusätzlich zu Ihren Rechtsansprüchen und Rechtsmitteln. Soweit diese Garantie unvereinbar mit jeglichen Ihrer Rechtsansprüche ist, haben diese Vorrang. Ein Beispiel: Verbraucherschutzgesetze in der gesamten Europäischen Union sorgen für gesetzliche Gewährleistungsrechte zusätzlich zu dem Bereich, der durch diese eingeschränkte Garantie abgedeckt ist. Für Informationen zu den EU-weiten Verbraucherschutzgesetzen besuchen Sie bitte das Europäische Verbraucherzentrum unter http://ec.europa.eu/consumers/ecc/contact_en/htm.

Die Bestimmungen dieser eingeschränkten Garantie kann nur der Ersterwerber des Produktes geltend machen und die eingeschränkte Garantie ist nicht übertragbar. Die Garantie gilt für einen Zeitraum von 90 Tagen ab Kaufdatum. Bewahren Sie bitte Ihre Kaufquittung mit dieser Bedienungsanleitung auf. Bei allen Garantieansprüchen ist ein Kaufnachweis vorzulegen oder die eingeschränkte Garantie ist ungültig.

Falls im Verlauf dieses Zeitraums von 90 Tagen ein Herstellungsfehler auftritt, kontaktieren Sie bitte das zuständige INTEX Service Center, angeführt in der separaten "autorisierte Service Center"-Liste. Wenn der Artikel - wie vom Service Center angewiesen - zurückgeschickt wurde, kontrolliert das Service Center den Artikel und stellt die Berechtigung Ihres Anspruchs fest. Wenn der Artikel unter die Garantiebestimmungen fällt, wird er kostenlos repariert oder kostenlos durch einen gleichen oder einen vergleichbaren Artikel (Entscheidung von Intex) ersetzt.

Außer dieser Garantie und anderen Rechtsansprüchen in Ihrem Land sind keine weiteren Garantien impliziert. In dem Ausmaß, das in Ihrem Land möglich ist, haftet Intex unter keinen Umständen gegenüber Ihnen oder einem Dritten für unmittelbare oder daraus folgende Schäden, die sich aus dem Gebrauch Ihre Intex-Pool-Leiter, ergeben, oder für Handlungen von Intex oder seinen zugelassenen Vertretern und Mitarbeitern (einschließlich der Herstellung des Produkts). Einige Länder erlauben keine Ausschließung oder Einschränkung von Schäden und Folgeschäden. Die o.g. Ausschließung oder Einschränkung ist auf diese Länder nicht anzuwenden.

Folgendes führt zum Ausschluss der eingeschränkten Garantie für Ihre Intex-Pool-Leiter bzw. unterliegt nicht der eingeschränkten Garantie:

- Wenn Ihre Intex-Pool-Leiter Fahrlässigkeit, unsachgemäßem Gebrauch oder Anwendung, Unfall, missbräuchlicher Verwendung, unsachgemäßer Wartung oder Lagerung ausgesetzt ist.
- Wenn Ihre Intex-Pool-Leiter beschädigt wird durch Umstände, die außerhalb des Einflussbereiches von Intex liegen, u.a. gewöhnlicher Verschleiß und Abrieb und Schaden, der durch Brandeinwirkung verursacht wurde, Überschwemmung, Gefrieren, Regen oder andere äußere Umwelteinflüsse.
- Teile und Komponenten, die nicht von Intex verkauft wurden und / oder
- Nicht genehmigte Änderungen, Reparaturen oder Demontage durch jemanden anderen als das Intex-Service-Center-Personal.

Die Garantie umfasst nicht die Kosten, die mit dem Auslaufen des Poolwassers, Chemikalien oder Wasserschäden in Verbindung stehen. Sach- oder Personenschäden fallen ebenfalls nicht unter diese Garantie.

Bitte lesen Sie die Bedienungsanleitung äußerst sorgfältig und beachten Sie alle Anweisungen in Bezug auf den ordnungsgemäßen Einsatz und die Wartung Ihres Ihre Intex-Pool-Leiter Stufen. Kontrollieren Sie das Produkt immer bevor Sie dieses in Betrieb nehmen. Die beschränkte Garantie erlischt, wenn die Anweisungen nicht befolgt werden.

REGOLE PER LA SICUREZZA

Leggere attentamente e capire le istruzioni di seguito riportate prima di montare ed utilizzare il prodotto.

Scaletta con gradini removibili

Manuale d'istruzioni per:

Modelli: 48" (122cm) & 52" (132 cm)



Immagine a solo scopo illustrativo. 132 cm (52 pollici) come indicato

Non dimenticate di acquistare anche gli altri prodotti Intex: Le Piscine fuori terra, gli Accessori per piscine, le Piscine gonfiabili, I Prodotti In-Toyz, i Materassi gonfiabili Airbed e i Canotti sono prodotti Intex disponibili presso i rivenditori oppure visitando il sito Internet.

A seguito dell'applicazione di una politica di miglioramento continuo dei prodotti, Intex si riserva il diritto, senza preavviso, di modificare le specifiche e l'aspetto dei prodotti, che potrebbero comportare l'aggiornamento del manuale di istruzioni.



©2017 Intex Marketing Ltd. - Intex Development Co. Ltd. - Intex Trading Ltd.
- Intex Recreation Corp.

All rights reserved/Tous droits réservés/Todos los derechos reservados/Alle Rechte vorbehalten. Printed in China/Imprimé en Chine/Impreso en China/Gedruckt in China.

®™ Trademarks used in some countries of the world under license from/®™ Marques utilisées dans certains pays sous licence de/
Marcas registradas utilizadas en algunos países del mundo bajo licencia de/Warenzeichen verwendet in einigen Ländern der Welt in
Lizenz von/Intex Marketing Ltd. to/à/a/an Intex Trading Ltd., Intex Development Co. Ltd., G.P.O Box 28829, Hong Kong & Intex
Recreation Corp., P.O. Box 1440, Long Beach, CA 90801 • Distributed in the European Union by/Distribué dans l'Union Européenne
par/Distribuido en la unión Europea por/Vertrieb in der Europäischen Union durch/Intex Trading B.V., Venneveld 9, 4705 RR
Roosendaal - The Netherlands
www.intexcorp.com

TAVOLA DEI CONTENUTI

Attenzione.....	3
Riferimento ai componenti.....	4
Istruzioni di montaggio.....	5-10
Come riporre l'apparecchio per lungo tempo.....	11
Linee Guida Generali per la sicurezza in acqua.....	11
Garanzia Limitata.....	12

**CONSERVARE L'IMBALLO E LE ISTRUZIONI PER FUTURE
REFERENZE E PER IL RIASSEMBLAGGIO DELLA SCALETTA**

REGOLE PER LA SICUREZZA

Leggere attentamente e capire le istruzioni di seguito riportate prima di montare ed utilizzare il prodotto.

⚠ ATTENZIONE

- Non lasciare mai soli i bambini e i disabili.
- Per i bambini usare la scaletta SOLO in presenza di adulti per evitare cadute o ferite serie/ oppure assistere i bambini durante l'utilizzo della scaletta onde evitare cadute o ferite serie.
- Non tuffarsi e non saltare mai dalla scaletta.
- Posizionare la scaletta su una superficie piana e solida.
- La scaletta deve essere usata con una sola persona alla volta.
- Portata massima della scaletta: 136 Kg (300 lbs). Il prodotto è conforme ai requisiti di resistenza EN16582.
- Prestare attenzione alla scaletta tutte le volte che si entra e si esce dalla piscina.
- Spostare la scaletta quando la piscina non è in uso.
- Non nuotare sotto o dietro la scaletta.
- Controllare regolarmente tutti i bulloni e i dadi per assicurarsi che la scaletta sia stabile.
- Se si utilizza la piscina di sera, usare delle luci per illuminare tutti i segnali di sicurezza, la scaletta, il fondo della piscina e i luoghi di passaggio.
- Assemblaggio e smontaggio solo da parte di persone adulte.
- Questa scaletta è progettata e prodotta per un'altezza specifica delle pareti e/o dei bordi della piscina. Da non usare con altre piscine.
- Il mancato rispetto delle avvertenze di manutenzione può provocare gravi pericoli alla salute, soprattutto ai bambini.
- Utilizzare la scaletta solo nel modo in cui è specificato sul manuale d'istruzione.

NON SEGUIRE QUESTE AVVERTENZE POTREBBE CAUSARE OSSA FRATTURATE, INTRAPPOLAMENTO, PARALISI, ANNEGAMENTO O ALTRI SERI INCIDENTI.

Le avvertenze, le istruzioni e le regole di sicurezza fornite con il prodotto si riferiscono ad alcuni comuni rischi legati alle attività ricreative svolte in acqua e non coprono tutte le possibili cause di pericolo nell'utilizzo del prodotto. Utilizzare il buon senso durante le attività svolte in piscina per limitare i rischi.

IMPORTANTE

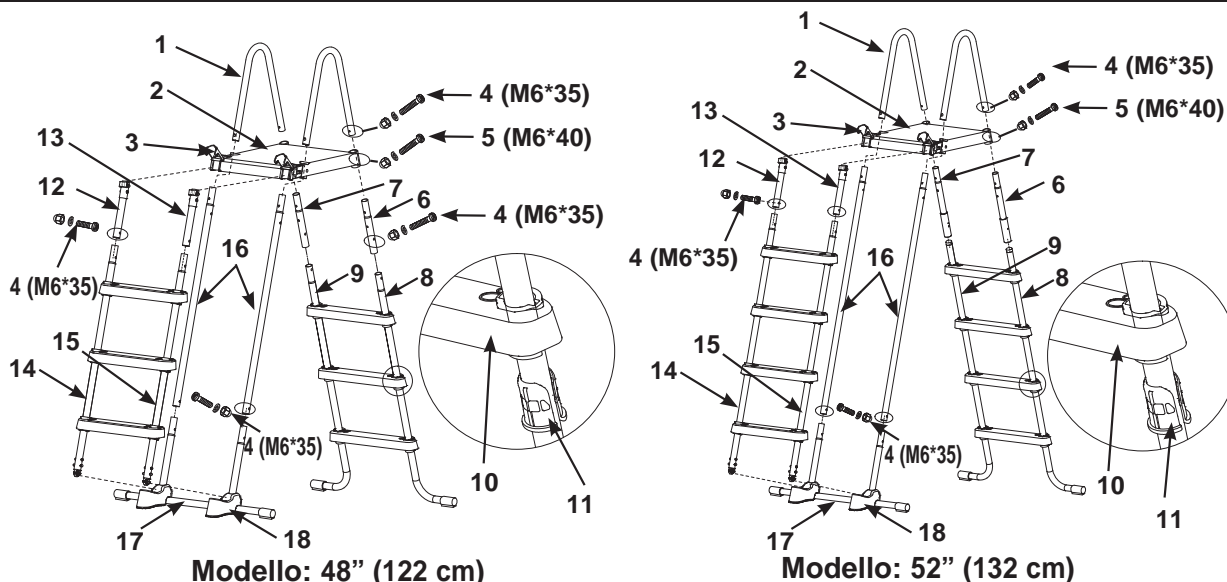
E' MOLTO IMPORTANTE PREPARARE I COMPONENTI E IDENTIFICARE QUALI PARTI ANDRANNO COLLEGATE PRIMA DI INIZIARE L'ASSEMBLAGGIO. SEBBENE ALCUNE PARTI SEMBRINO INTERSCAMBIABILI NON LO SONO. FARE RIFERIMENTO ALLA LISTA DEI COMPONENTI.

La scaletta è progettata e prodotta per muri perimetrali dei seguenti modelli di piscine Intex:

Articolo no.	Altezza del muro della piscina
28076	48in (122cm)
28077	52in (132cm)

RIFERIMENTO AI COMPONENTI

Prima di montare il prodotto, spendere qualche minuto a prendere visione di cosa comprende e familiarizzare con i vari componenti.



Modello: 48" (122 cm)

Modello: 52" (132 cm)

NOTA: I disegni sono da considerarsi soltanto a scopo di esempio. Potrebbero non rispecchiare il reale prodotto. Non in scala.

NO RIFERIMENTO	DESCRIZIONE	DIMENSIONI DELLA SCALETTA & QUANTITÀ		CODICE RICAMBIO	
		48in	52in	48in	52in
				#28076	#28077
1	BINARIO FORMA U	2	2	12512	12512
2	PIATTAFORMA SUPERIORE	1	1	12182	12182
3	GANCIO	2	2	12190	12190
4	VITI CORTE PER BINARI A U (1 DI RICAMBIO)	11	9	10810	10810
5	VITI LUNGHE PER LA PIATTAFORMA SUPERIORE (1 DI RICAMBIO)	5	5	10227	10227
6	LATO A - GAMBA SUPERIORE LATERALE (SEGNATO CON "A")	1	1	12669A	12643A
7	LATO A - GAMBA SUPERIORE LATERALE (SEGNATO CON "B")	1	1	12669B	12643B
8	LATO A - GAMBA A J INFERIORE (SEGNATO CON "A")	1	1	12670A	12644A
9	LATO A - GAMBA A J INFERIORE (SEGNATO CON "B")	1	1	12670B	12644B
10	SCALINI	6	8	12629	12629
11	MANICOTTO DI ANCORAGGIO DELLO SCALINO	12	16	12630	12630
12	LATO B - GAMBA SUPERIORE LATERALE (SEGNATO CON "A1")	1	1	12653A	12653A
13	LATO B - GAMBA SUPERIORE LATERALE (SEGNATO CON "B1")	1	1	12653B	12653B
14	LATO B - GAMBA INFERIORE LATERALE (SEGNATO CON "A1")	1	1	12651A	12654A
15	LATO B - GAMBA INFERIORE LATERALE (SEGNATO CON "B1")	1	1	12651B	12654B
16	LATO C - GAMBA SUPERIORE LATERALE (SEGNATO CON "C")	2	2	12652	12655
17	LATO C - GAMBA INFERIORE U (SEGNATO CON "C")	1	1	12650	12650
18	BASE DI SUPPORTO	2	2	11356	11356

UTENSILI RICHIESTI: Un cacciavite, un (1) piccolo cacciavite a testa piatta
Un paio di pinze oppure una piccola chiave inglese

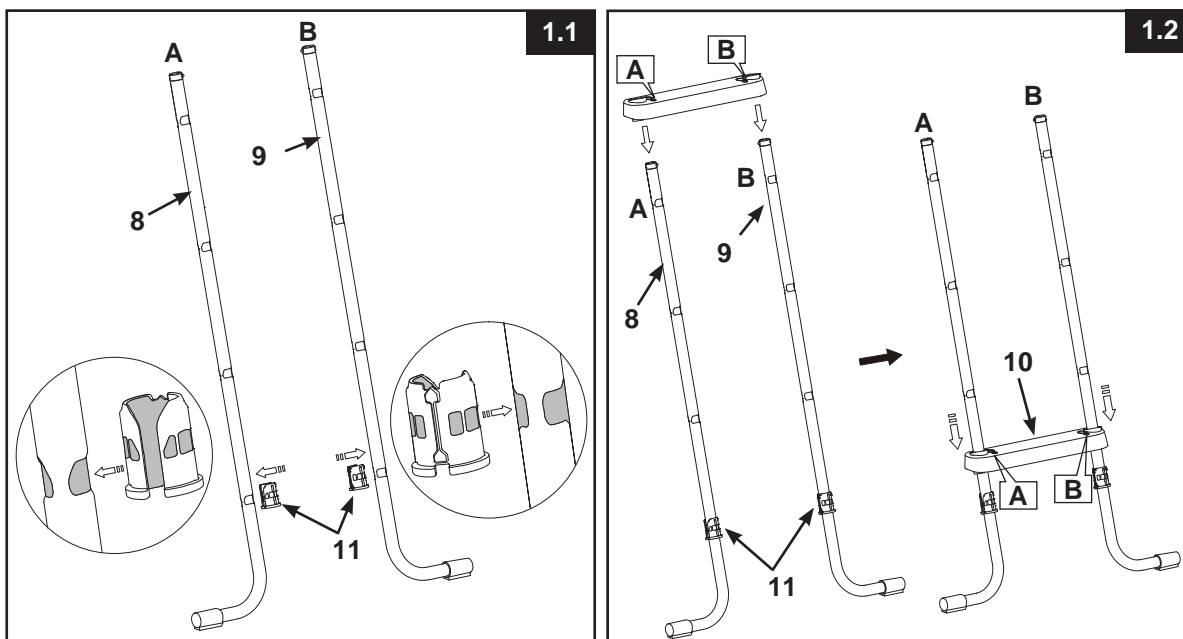
MONTAGGIO DELLA SCALETTA

Tempo stimato di montaggio: 30-60 min (Nota bene: Il tempo di montaggio approssimativo e pu variare a seconda dell'individuo addetto all'assemblaggio).

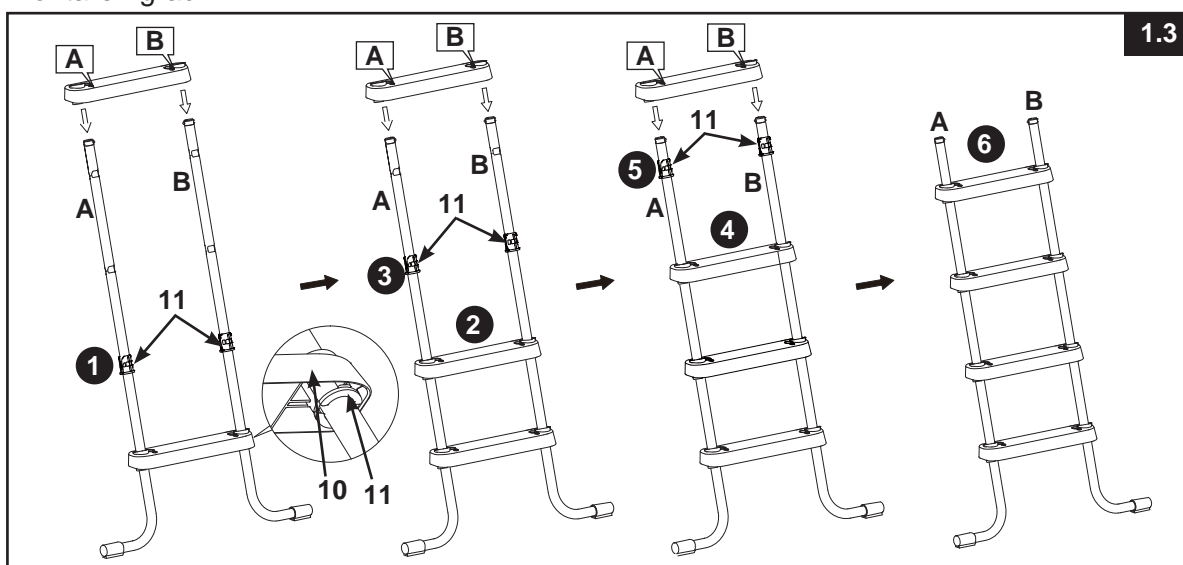
⚠ ATTENZIONE

PARTI COLLEGATE IN MODO NON CORRETTO POSSONO FAR SI CHE LA SCALETTA SIA INSTABILE O NON UTILIZZABILE CAUSANDO GRAVI FERITE O MORTE ALLE PERSONE.

1. Assemblaggio gambe lato A (vedi figure da 1.1 a 1.4):

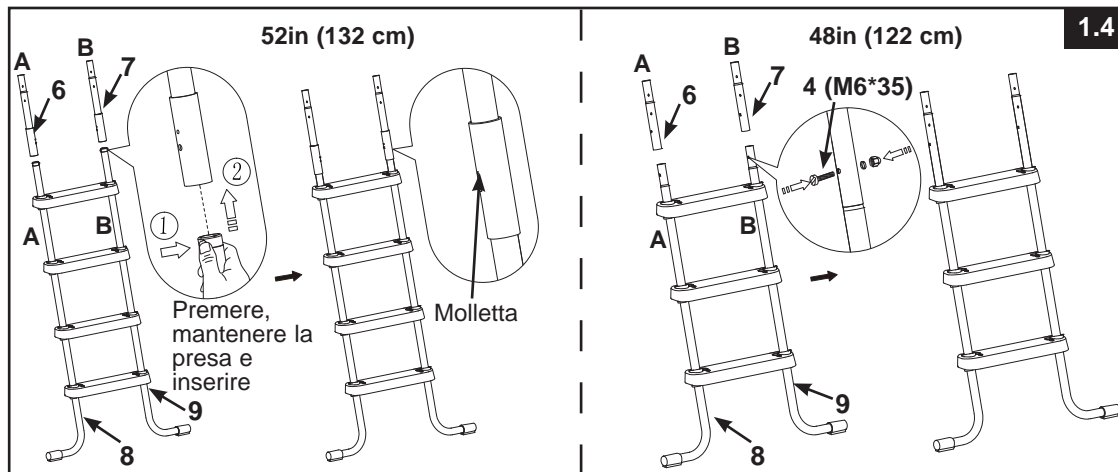


IMPORTANTE: Assicurarsi che le gambe j siano rivolte verso l'esterno prima di montare i gradini.

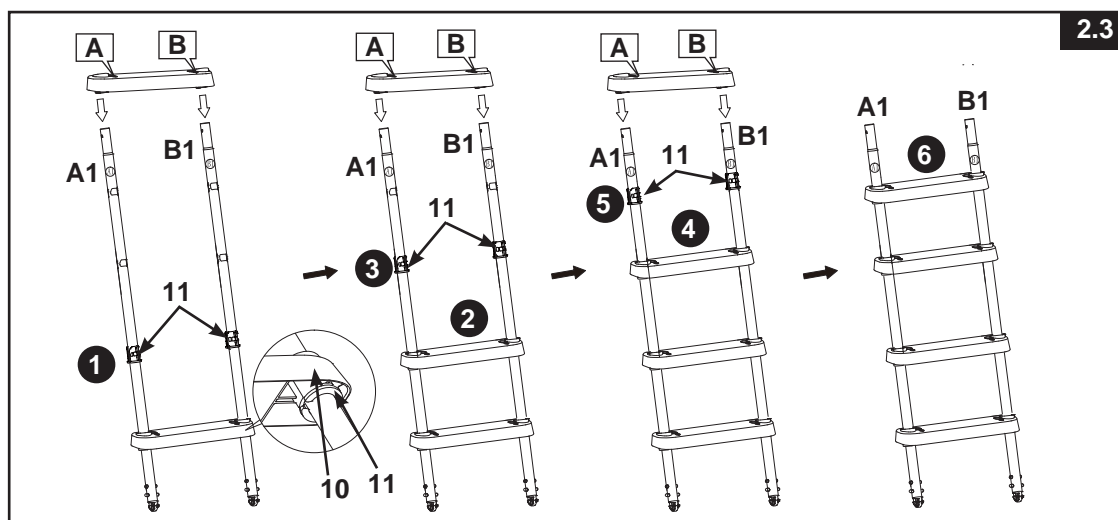
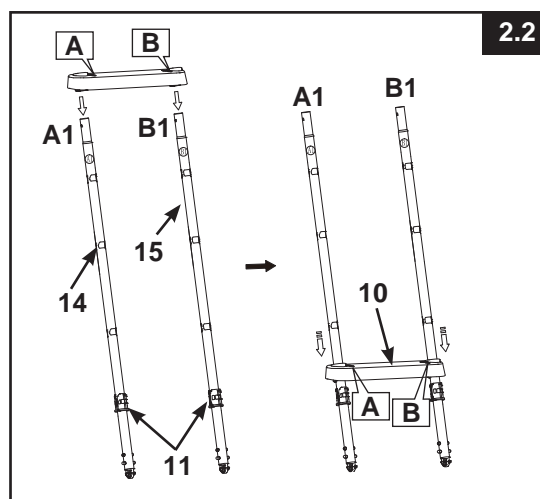
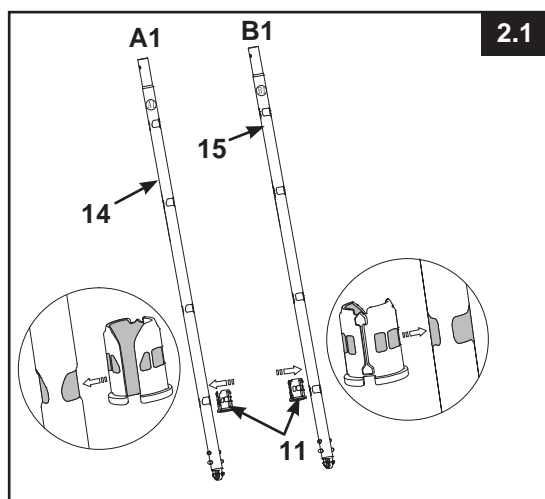


MONTAGGIO DELLA SCALETTA (SEGUE)

- Gruppo gambe superiori A (vedi figura 1.4):

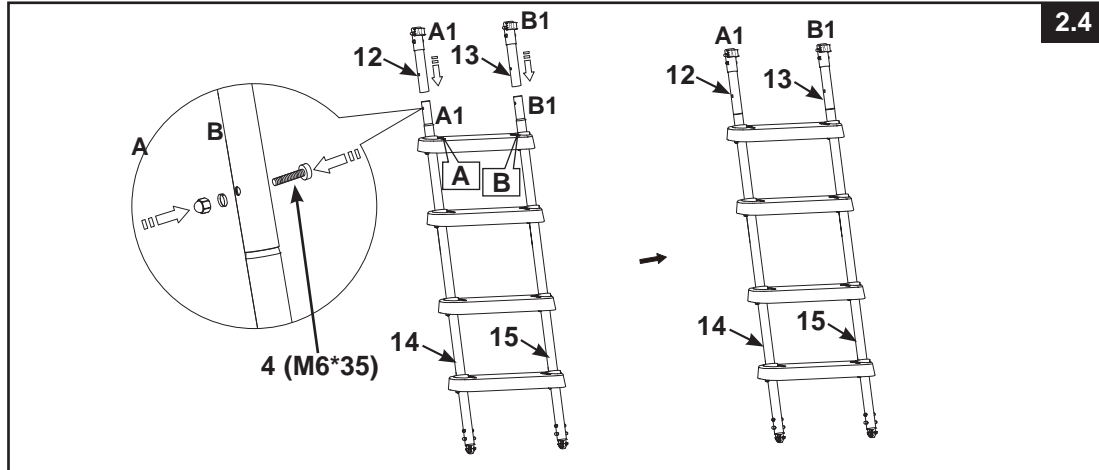


- 2. Assemblaggio gambe lato B (vedi figure da 2.1 a 2.4):

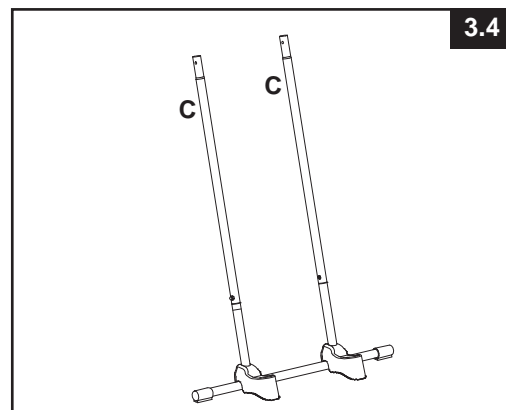
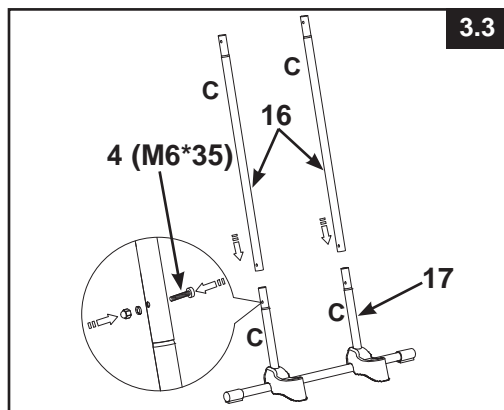
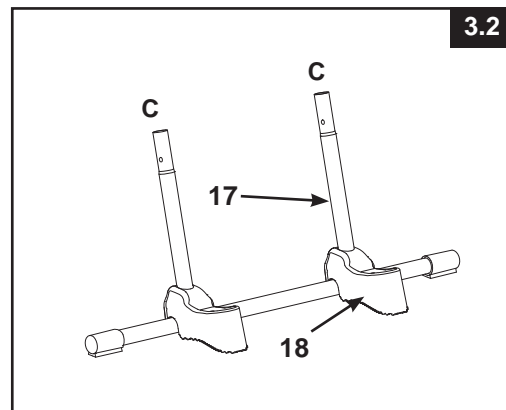
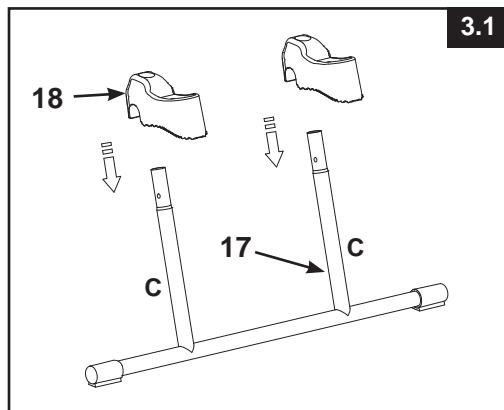


MONTAGGIO DELLA SCALETTA (SEGUE)

- Gruppo gambe superiori B (vedi figura 2.4):



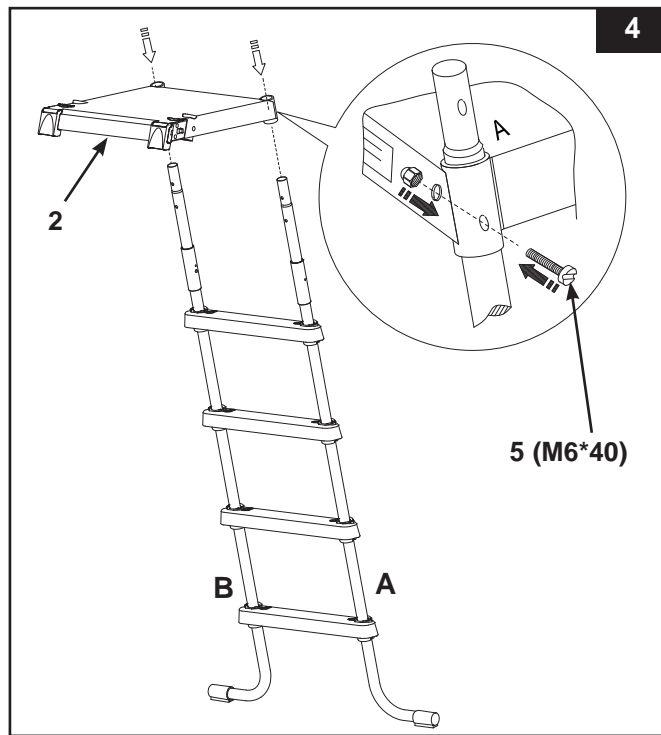
- 3. Assemblaggio gambe lato C (vedi figure da 3.1 a 3.4):



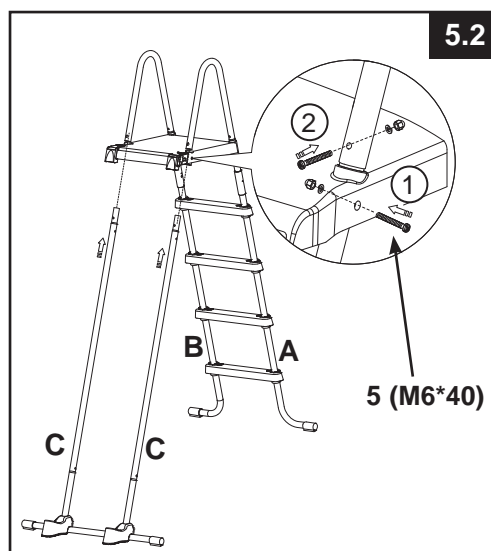
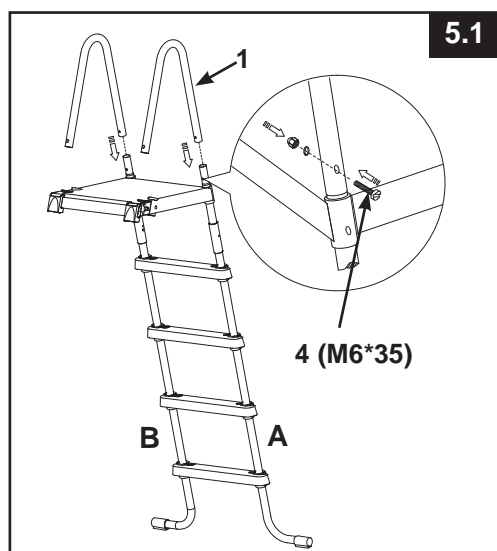
IMPORTANTE: Assicurarsi che le gambe siano collegate e fissate saldamente.

MONTAGGIO DELLA SCALETTA (SEGUE)

4. Installazione dei sostegni (vedi figura 4):



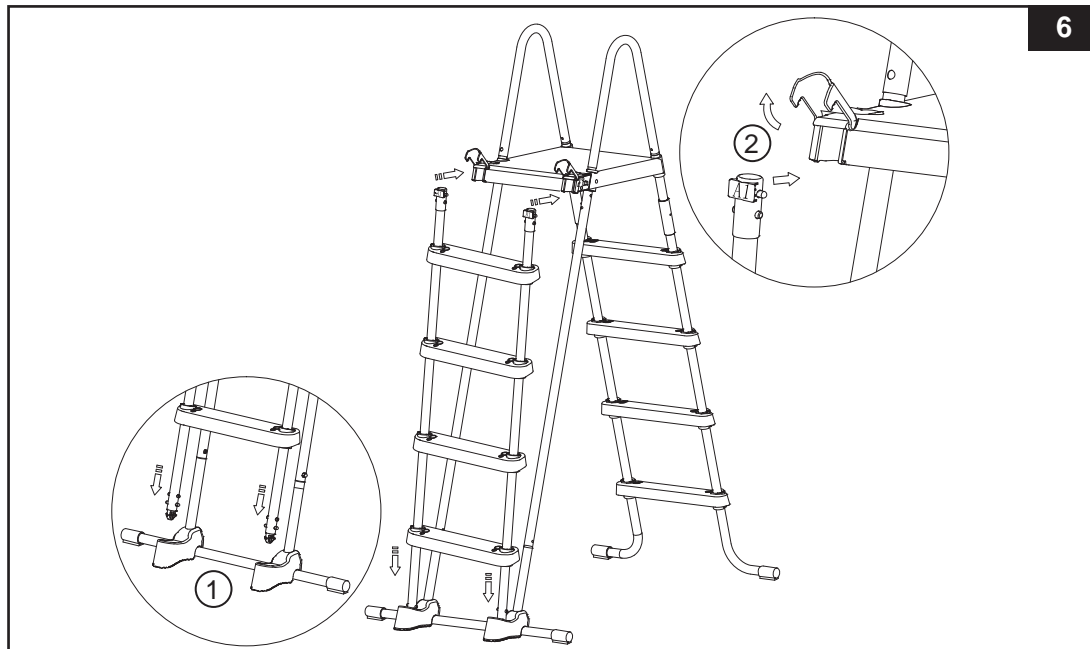
5. Inserimento binario a "U" (vedi figure da 5.1 a 5.2):



IMPORTANTE: Procedere con un lato alla volta. Non attaccare l'altro lato della scaletta fino a quando il corrimano non è installato. Non fissare tutti i pezzi prima di aver ultimato l'assemblaggio.

MONTAGGIO DELLA SCALETTA (SEGUE)

6. Assemblaggio gambe lato B (vedi figura 6):



ATTENZIONE

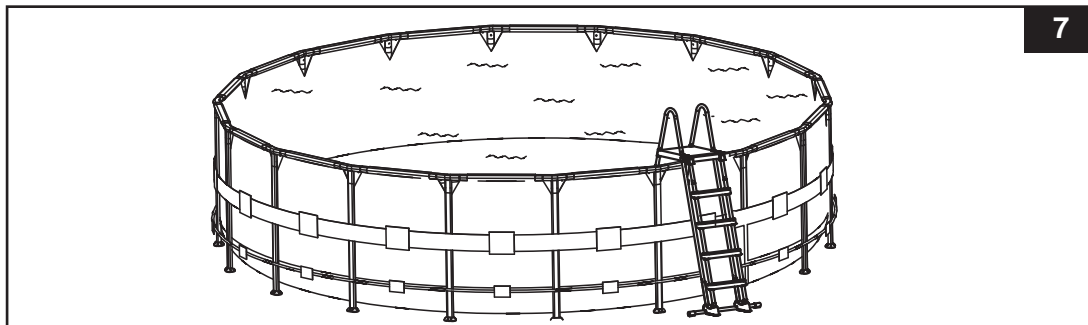
PRIMA DELL'UTILIZZO, ASSICURARSI CHE IL LATO REMOVIBILE CON I GRADINI SIA ANCORATO ALL'INTERNO DEL SUPPORTO DI BASE E FISSATO SALDAMENTE NEI GANCI POSIZIONATI SUL BORDO DI FRONTE DELLA PIATTAFORMA.

7. MANUTENZIONE: Controllare periodicamente tutti i dadi, i bulloni, gli scalini e i manicotti di ancoraggio degli scalini per assicurarsi che tutte le parti siano fissate saldamente e che la scaletta sia stabile.

8. Prima di usare la scaletta (vedi figura 7):

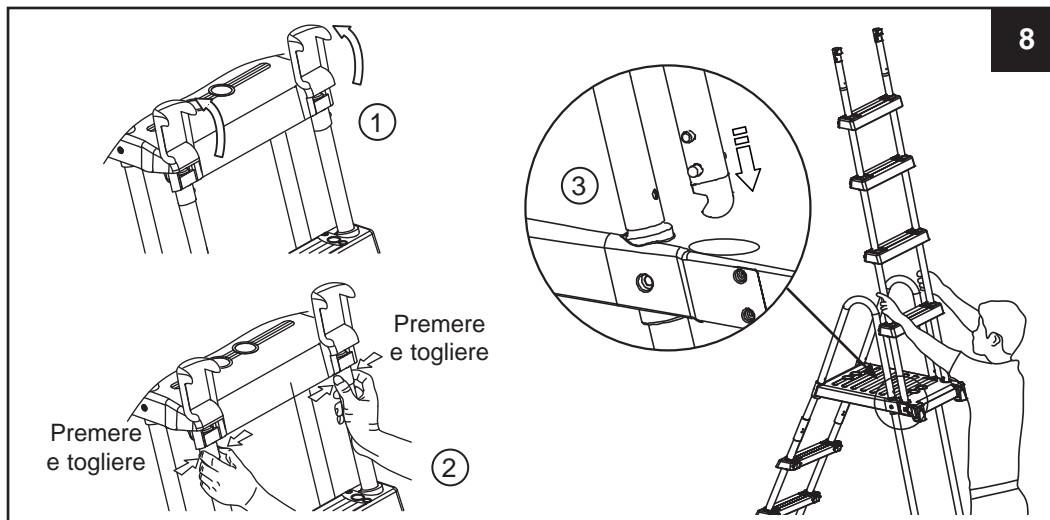
Dopo aver inserito tutte le parti, verificare che ciascuna vite lunga sia fissata correttamente ed esercitare una pressione ulteriore verso il basso su ogni gradino per essere sicuri che siano ben ancorati e posizionati.

IMPORTANTE: Il lato removibile dei gradini deve essere posizionato all'esterno della piscina.



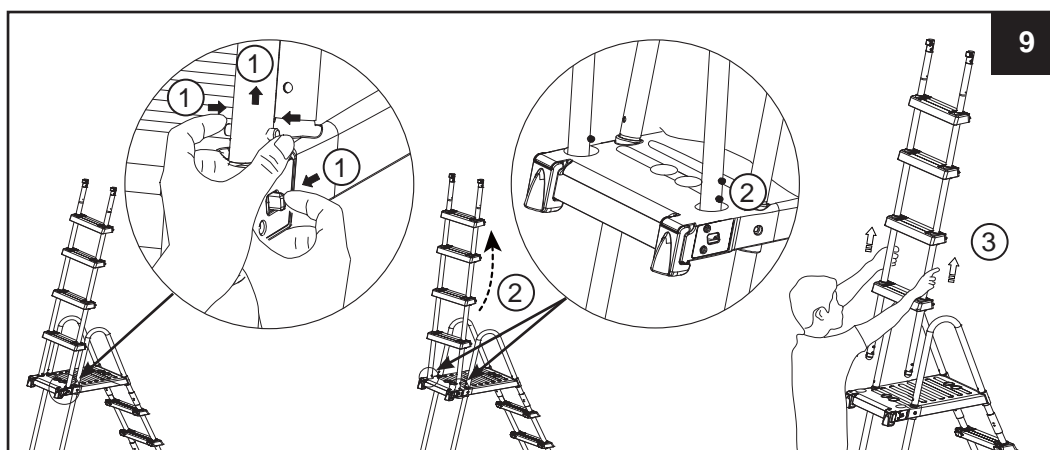
MONTAGGIO DELLA SCALETTA (SEGUE)

9. Dopo l'uso della scaletta (vedi figura 8):



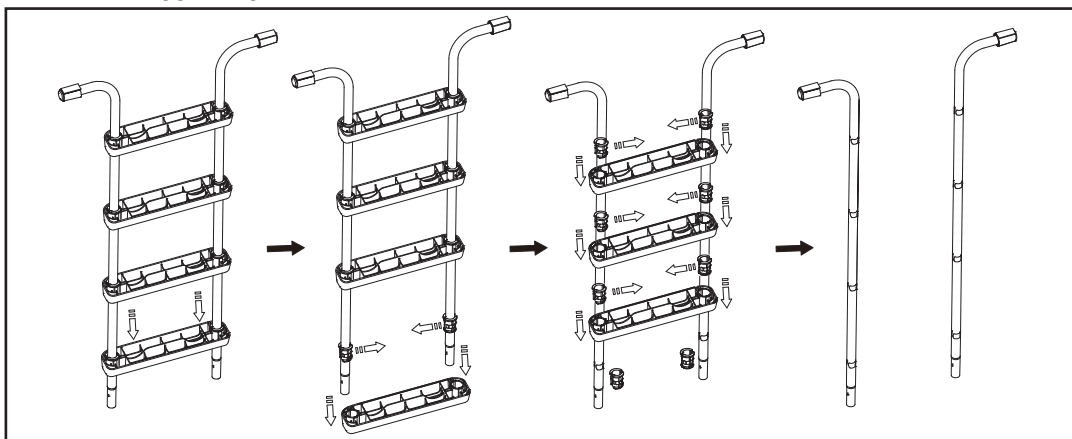
10. Rimuovere gli scalini dalla posizione di fissaggio (vedi figura 9):

- Con la mano destra tirare verso di sé le linguette e con la mano sinistra premere i pulsanti bianchi, e simultaneamente sollevare la gamba fuori dalla cavità, esponendo i pulsanti bianchi inferiori.
- Appoggiare la gamba sul supporto superiore (facendo attenzione affinché non ritorni dentro la cavità) e sollevare rapidamente il "gruppo scalini removibile" dalla posizione di fissaggio.
- Vedere il passaggio 6 per fissare nuovamente gli scalini removibili.



RICOVERO INVERNALE / COME RIPORRE L'APPARECCHIO PER LUNGO TEMPO

1. Rimuovere la parte removibile come illustrato nella sezione "Dopo l'uso della scaletta", vedi figura 8.
2. Rimuovere la scaletta dalla piscina e assicurarsi che la scaletta e la parte removibile siano asciutte completamente prima di immagazzinare per la stagione invernale.
3. Prendere la scaletta e tutte le componenti e immagazzinarle in un luogo asciutto e pulito, preferibilmente ad una temperatura compresa tra 0° C (32° F) e 40° C (104° F).
4. Assicurarsi che la scaletta e tutte le componenti siano poste in un luogo sicuro lontano ai bambini.
5. Disassemblaggio degli scalini:



⚠ ATTENZIONE

QUANDO NON E' IN USO, LA SCALETTA DOVREBBE ESSERE CONSERVATA IN POSIZIONE DI SICUREZZA. RIMUOVERE IL LATO FRONTALE DEI GRADINI QUANDO LA PISCINA NON E' IN USO O OCCUPATA. IMMAGAZZINARE IL LATO REMOVIBILE DEI GRADINI IN UN LUOGO SICURO LONTANO DA BAMBINI. RICHI UDERE I GANCI.

LINEE GUIDA GENERALI PER LA SICUREZZA IN ACQUA

Lo svago in acqua è sia divertente sia terapeutico. In ogni caso può causare danni seri e addirittura la morte. Per ridurre il rischio di danni leggere e seguire tutte le istruzioni e le avvertenze riportate sul prodotto e sulla confezione ed inserite nella confezione stessa. Ricordare che comunque le avvertenze del prodotto, le istruzioni e le linee guida per la sicurezza trattano alcuni rischi comuni legati allo svago in acqua ma non riportano ogni possibile caso di rischio o pericolo.

Per un'ulteriore sicurezza prendere visione con le seguenti linee guida emanate e riconosciute dall'Organizzazione nazionale della sicurezza:

- Richiedere una costante sorveglianza. Si consiglia di nominare un adulto competente in qualità di "bagnino" soprattutto in presenza di bambini dentro o intorno alla piscina.
- Imparare a nuotare;
- Dedicare del tempo per imparare le norme per il primo soccorso.
- Informare le persone addette al controllo della piscina sui possibili danni che possono verificarsi durante l'uso della piscina e sull'utilizzo dei dispositivi di protezione come porte chiuse a chiave, barriere o altro.
- Informare tutti gli utenti, compresi i bambini, sulle azioni da adottare in caso di emergenza.
- Usare sempre il buonsenso quando ci si diverte in acqua.
- Sorvegliare, sorvegliare, sorvegliare.

GARANZIA LIMITATA

La tua Scaletta Per Piscina è stata prodotta con l'utilizzo dei materiali e mano d'opera di alta qualità. Tutti i prodotti Intex sono stati ispezionati e trovati privi di difetti prima dell'uscita dalla fabbrica. Questa garanzia si applica solo alle Scaletta Per Piscina.

Questa garanzia si aggiunge a, e non è in sostituzione di, i vostri diritti di legge. Qualora questa garanzia non rispetti i vostri diritti di legge, questi ultimi hanno la priorità. Ad esempio, le leggi a tutela dei consumatori all'interno dell'Unione Europea, prevedono dei diritti di legge aggiuntivi alla copertura prevista da questa garanzia. Per conoscere i diritti garantiti dalla UE, visitate il sito: http://ec.europa.eu/consumers/ecc/contact_en/htm.

Le condizioni di questa garanzia sono da considerarsi valide soltanto per l'acquirente originale e non è trasferibile. Questa garanzia è valida solo per un periodo di 90 giorni dalla data dell'acquisto iniziale dal rivenditore. Conservate la ricevuta con il manuale e la garanzia altrimenti, in caso di reclami, quest'ultima verrà ritenuta invalida.

Se un difetto di fabbrica dovesse insorgere entro i 90 giorni dall'acquisto, pregate di contattare il Centro Assistenza appropriato tra quelli elencati nella pagina "Centri Assistenza Autorizzati". Se il prodotto è restituito, come suggerito dal Centro di Servizio Intex, esso verrà controllato e ispezionato per determinare la veridicità del reclamo. Se il prodotto è coperto dalle disposizioni della garanzia, il prodotto verrà riparato o sostituito, con lo stesso prodotto o un altro di valore simile (a scelta di Intex), senza nessun costo aggiuntivo per il cliente finale.

Oltre a questa garanzia e ad eventuali altri diritti garantiti dal rispettivo paese di appartenenza, non sono previste ulteriori garanzie. Anche se previsto dal paese di appartenenza, in nessun caso Intex sarà responsabile nei confronti dell'utente o di terzi per danni diretti o indiretti derivanti dall'uso del Scaletta Per Piscina, o per azioni da parte di Intex, suoi agenti e suoi dipendenti (compresa la fabbricazione del prodotto). Alcuni paesi o giurisdizioni non consentono l'esclusione o la limitazione dei danni incidentali o consequenziali, pertanto la suddetta limitazione o esclusione potrebbe non applicarsi a voi.

La presente garanzia non trova applicazione qualora:

- Se Scaletta Per Piscina è soggetto a negligenza, utilizzo o applicazioni non idonee, incidenti, per operazioni improprie, manutenzione o conservazione non corretta;
- Se Scaletta Per Piscina è soggetto a negligenza, utilizzo o applicazioni non idonee, incidenti, per operazioni improprie, manutenzione o conservazione non corretta;
- Per parti e componenti non vendute da Intex; e/o
- Per modifiche non autorizzate, riparazioni o smontaggio al Scaletta Per Piscina da soggetti diversi del personale del centro assistenza Intex.

I costi sostenuti per la perdita d'acqua della piscina, additivi chimici o danni idrici non vengono coperti dalla garanzia. Danni a persona o a cosa non vengono coperti da questa garanzia.

Leggere attentamente il manuale e seguire le istruzioni relative al funzionamento e manutenzione delle Scaletta Per Piscina. Controllare sempre il prodotto prima dell'uso. La garanzia può decadere se non vengono seguite le avvertenze.

BELANGRIJKE VEILIGHEIDS INSTRUCTIES

Lees, begrijp en volg dan ook alle
aanwijzingen nauwkeurig op vóór
installatie en gebruik.

Trap met
verwijderbare treden
Gebruiksaanwijzing voor: 48"
(122 cm) & 52" (132 cm) Modellen



Enkel voor illustratieve doeleinden.

132 cm (52 Inch) afgebeeld

Vergeet niet om ook onze andere Intex-producten uit te proberen:
zwembaden, zwembadonderdelen, opblaasbare zwembaden, speelgoed
voor binnenshuis, luchtbedden en boten. Alles verkrijgbaar bij
speelgoed/swembadwinkels of kijk op onze website.

Door ons streven naar continue productverbeteringen heeft Intex het
recht productspecificaties en ontwerpen zonder kennisgeving te
wijzigen, wat zou kunnen resulteren in wijzigingen in de handleiding.



©2017 Intex Marketing Ltd. - Intex Development Co. Ltd. - Intex Trading Ltd.
- Intex Recreation Corp.

All rights reserved/Tous droits réservés/Todos los derechos reservados/Alle Rechte
vorbehalten. Printed in China/Imprimé en Chine/Impreso en China/Gedruckt in China.

®™ Trademarks used in some countries of the world under license from/®™ Marques utilisées dans certains pays sous licence de/
Marcas registradas utilizadas en algunos países del mundo bajo licencia de/Warenzeichen verwendet in einigen Ländern der Welt in
Lizenz von/Intex Marketing Ltd. to/à/a/an Intex Trading Ltd., Intex Development Co. Ltd., G.P.O Box 28829, Hong Kong & Intex
Recreation Corp., P.O. Box 1440, Long Beach, CA 90801 • Distributed in the European Union by/Distribué dans l'Union Européenne
par/Distribuido en la unión Europea por/Vertrieb in der Europäischen Union durch/Intex Trading B.V., Venneveld 9, 4705 RR
Roosendaal - The Netherlands
www.intexcorp.com

INHOUD

Waarschuwing.....	3
Onderdelen lijst.....	4
Montage instructies.....	5-10
Opbergen zwembadsysteem.....	11
Algemene regels voor veiligheid.....	11
Verklaring van beperkte garantie.....	12

**BEWAAR DEZE DOOS OM OP TE BERGEN EN BEWAAR DE
HANDLEIDING VOOR EEN VOLGENDE MONTAGE**

BELANGRIJKE VEILIGHEIDS INSTRUCTIES

Lees, begrijp en volg dan ook alle aanwijzingen nauwkeurig op vóór installatie en gebruik.

⚠ WAARSCHUWING

- Houd ten allen tijden toezicht op kinderen en gehandicapten.
- Help kinderen altijd als ze de ladder gebruiken om valpartijen en/of ernstige verwondingen te voorkomen.
- Onder geen omstandigheden mag er van deze trap gesprongen of gedoken worden.
- Plaats de trap op een egale, stevige ondergrond.
- Één persoon op de trap per keer.
- Maximaal draaggewicht: 136 kg. Voldoet aan de EN16582 sterkte eisen.
- Plaats de trap ten allen tijden enkel voor het betreden van het zwembad.
- Verplaats of berg de trap op wanneer het zwembad niet in gebruik is.
- Zwem niet onder, door of achter de trap.
- Controleer alle schroeven en bouten regelmatig om er zeker van te zijn dat de trap ten allen tijden stevig is.
- Als u zwemt na zonsondergang zorgt u dan voor verlichting die alle veiligheidsaanwijzingen, de trap, de bodem van het bad en de loopbaden duidelijk zichtbaar maken.
- Montage en demontage enkel door volwassenen laten verrichten.
- Deze ladder is ontworpen en gefabriceerd voor een specifieke zijhoogte van een zwembad en/of dek van het zwembad. Niet gebruiken met andere zwembaden.
- Het niet opvolgen van de instructies in de gebruiksaanwijzing kan resulteren in ongelukken, specifiek voor kinderen.
- Gebruik deze trap enkel voor doeleinden beschreven in deze gebruiksaanwijzing.

HET NEGEREN VAN DEZE WAARSCHUWINGEN KAN RESULTEREN IN SCHADE AAN UW TUIN, ELECTRISCHE SHOCK, ERNSTIGE VERWONDINGEN OF EEN FATALE AFLOOP.

De waarschuwingen, instructies en veiligheidsaanwijzingen, die bij dit product worden bijgeleverd, wijzen slechts op algemene gevaren, die met water recreatie verband houden en nooit op alle specifieke risico's en gevaren. Gebruik uw gezond verstand en helder oordeel bij alle vormen van activiteiten in het water. Lees, begrijp en volg dan ook alle aanwijzingen nauwkeurig op vóór installatie en gebruik.

BELANGRIJK

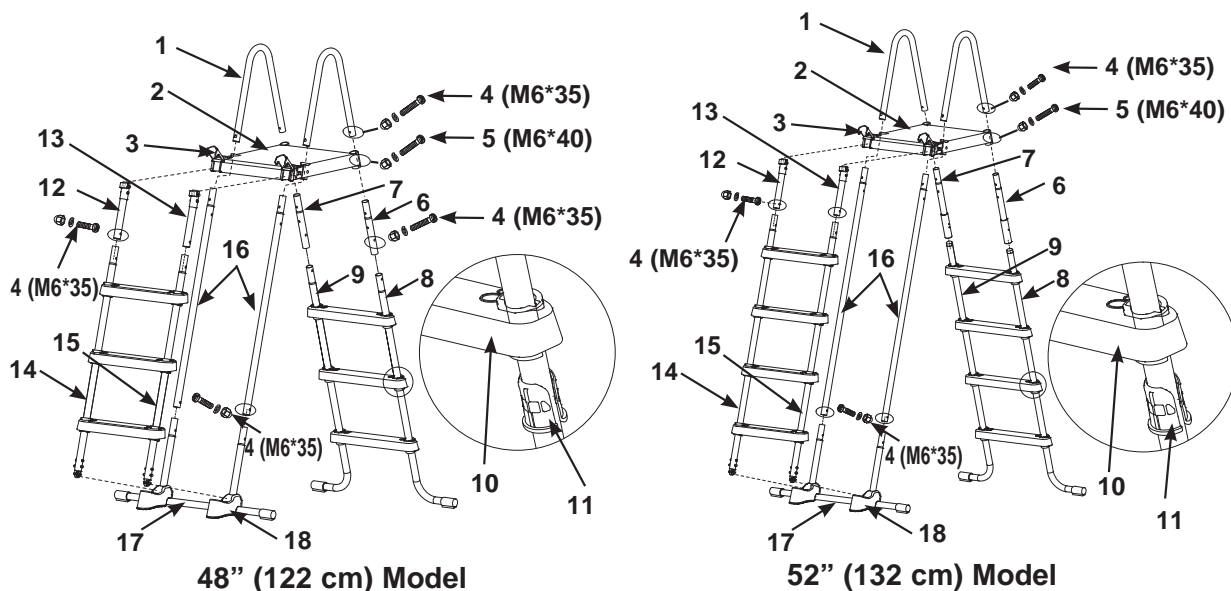
HET IS ERG BELANGRIJK OM DE ONDERDELEN CORRECT UIT TE LEGGEN EN TE CONTROLEREN WELKE ONDERDELEN BIJ ELKAAR HOREN VOORDAT U BEGINT MET DE LADDER IN ELKAAR TE ZETTEN. SOMMIGE ONDERDELEN LIJKEN ERG OP ELKAAR, MAAR ZE ZIJN NIET ALTIJD VERWISSELBAAR. GEBRUIK HIERBIJ DE LIJST MET ONDERDELEN.

Deze trap is ontworpen en gefabriceerd voor Intex zwembad:

Artikel nr.	Wandhoogte
28076	48in (122cm)
28077	52in (132cm)

LIJST VAN ONDERDELEN

Alvorens het bad in elkaar te zetten, kijk eerst goed naar de diverse onderdelen en controleer of ze allemaal aanwezig zijn.



48" (122 cm) Model

52" (132 cm) Model

NB: Tekening dient slechts ter verduidelijking. Kan afwijken van bijgesloten product. Niet op schaal.

NR.	OMSCHRIJVING	TRAP MAAT & AANTAL		SPARE PART NR.	
		48in	52in	48in	52in
				#28076	#28077
1	U-VORMIG GEBOGEN BOVENLEUNING	2	2	12512	12512
2	PLATEAU	1	1	12182	12182
3	KLEM	2	2	12190	12190
4	KORTE BOUT EN MOER VOOR U-VORMIG GEBOGEN BOVENLEUNING (MET 1 EXTRA)	11	9	10810	10810
5	LANGE BOUT EN MOER VOOR PLATEAU (MET 1 EXTRA)	5	5	10227	10227
6	A ZIJDE - BOVENSTE ZIJPOOT (GEMARKEERD "A")	1	1	12669A	12643A
7	A ZIJDE - BOVENSTE ZIJPOOT (GEMARKEERD "B")	1	1	12669B	12643B
8	A ZIJDE - ONDERSTE J-VORMIGE POOT (GEMARKEERD "A")	1	1	12670A	12644A
9	A ZIJDE - ONDERSTE J-VORMIGE POOT (GEMARKEERD "B")	1	1	12670B	12644B
10	TRAPTREDEN	6	8	12629	12629
11	ANKERMOF VOOR TREDE	12	16	12630	12630
12	B ZIJDE - BOVENSTE ZIJPOOT (GEMARKEERD "A1")	1	1	12653A	12653A
13	B ZIJDE - BOVENSTE ZIJPOOT (GEMARKEERD "B1")	1	1	12653B	12653B
14	B ZIJDE - ONDERSTE ZIJPOOT (GEMARKEERD "A1")	1	1	12651A	12654A
15	B ZIJDE - ONDERSTE ZIJPOOT (GEMARKEERD "B1")	1	1	12651B	12654B
16	C ZIJDE - BOVENSTE ZIJPOOT (GEMARKEERD "C")	2	2	12652	12655
17	C ZIJDE - ONDERSTE U-VORMIGE POOT (GEMARKEERD "C")	1	1	12650	12650
18	VOETSTUK	2	2	11356	11356

Benodigd gereedschap: 1 kruiskop schroevendraaier, één (1) kleine platkopschroevendraaier
1 plattebek tang of waterpomptang

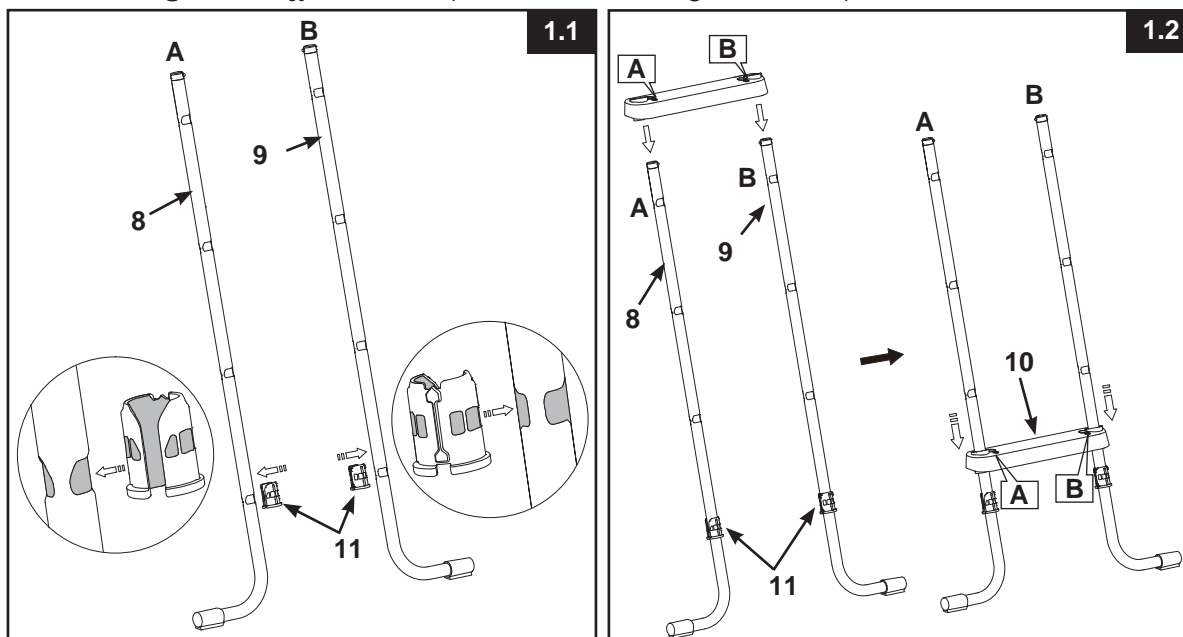
ZWEMBADTRAP HANDLEIDING

Geschatte tijd van opbouwen: 30-60 min. (let op dit is slechts een geschatte tijd, wanneer u het bad alleen opzet duurt het langer voordat u klaar bent)

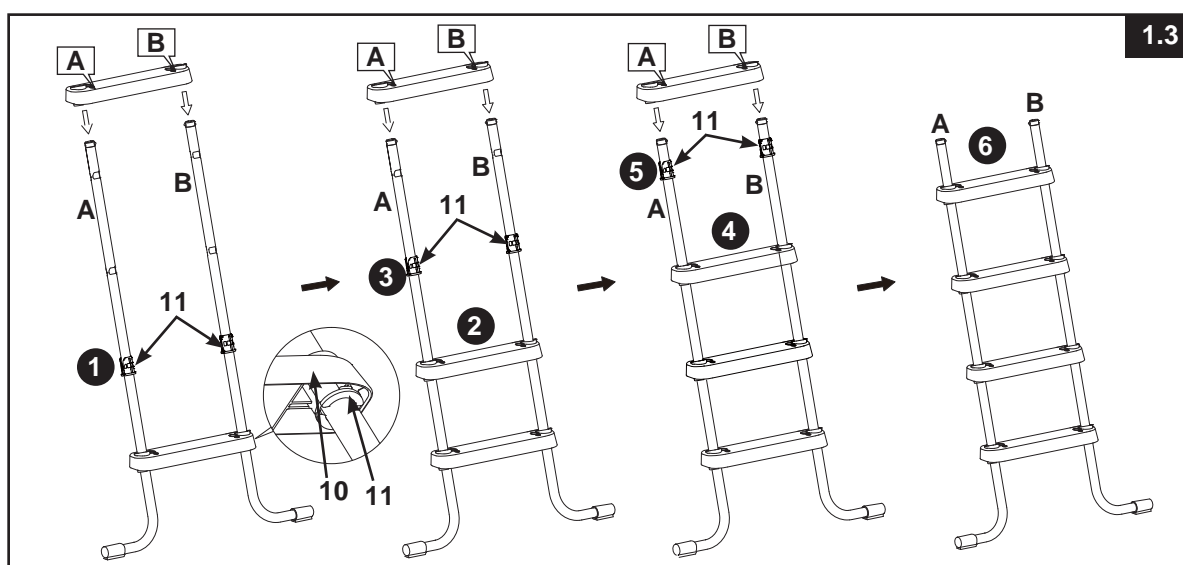
⚠ WAARSCHUWING

VERKEERD VERBONDEN ONDERDELEN KUNNEN RESULTEREN IN EEN ONSTABIELE LADDER OF BEZWIJING VAN DE LADDER WAARDOOR VALPARTIJEN KUNNEN ONTSTAAN EN VERWONDINGEN OF ERGER TOT GEVOLG KUNNEN HEBBEN.

1. Assemblage van zijpoten "A" (Gebruik afbeelding 1.1 tot 1.4):

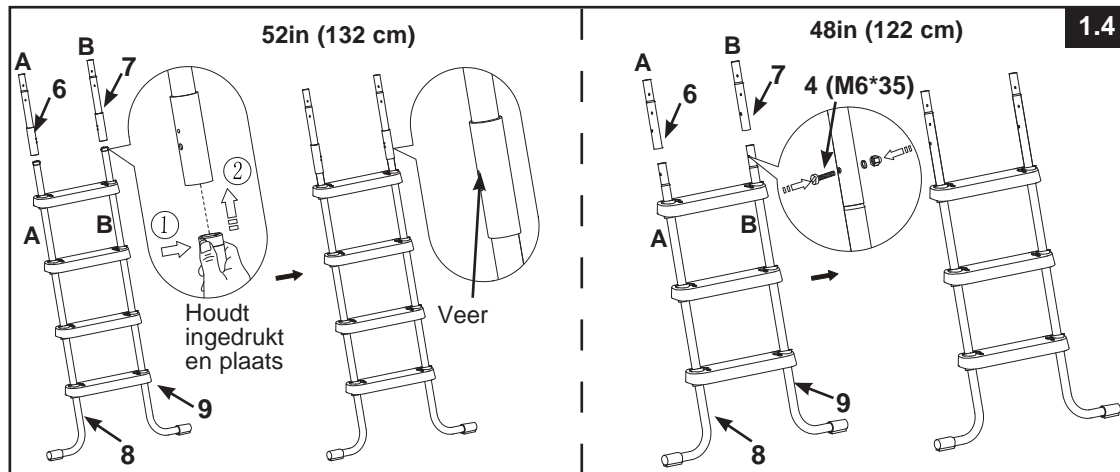


BELANGRIJK: Plaats de J-vormige poten naar buiten wijzend alvorens de treden te installeren.

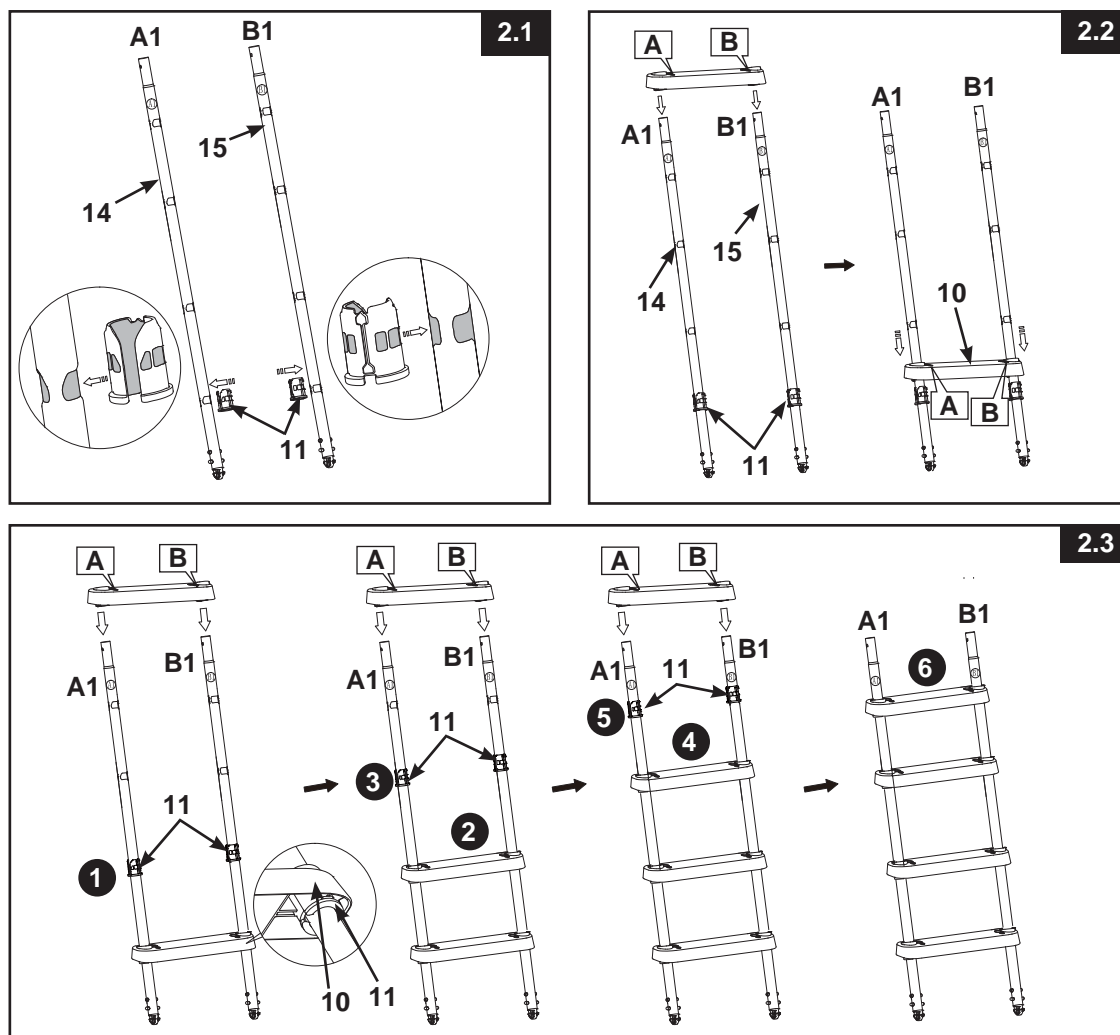


ZWEMBADTRAP HANDLEIDING (vervolg)

- Bovenste deel van de A poten in elkaar zetten (zie figuur 1.4):

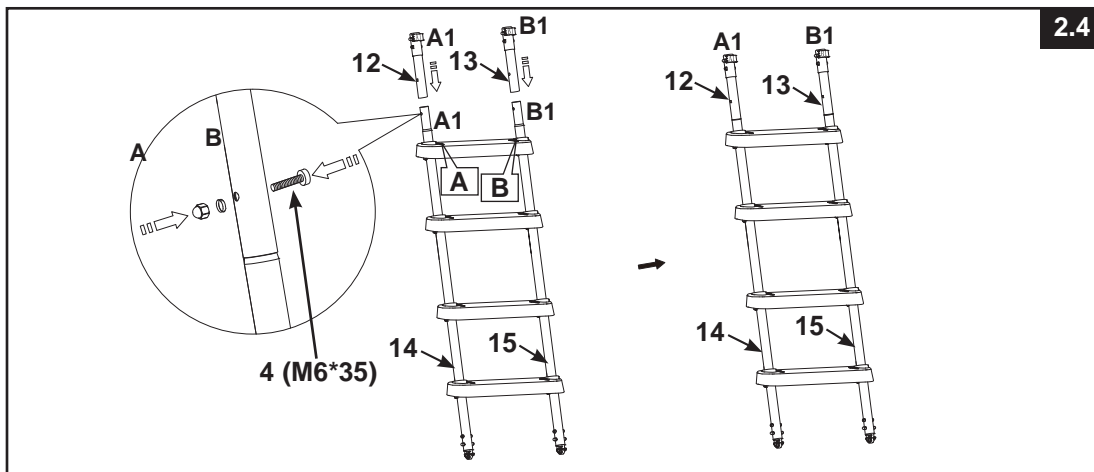


- 2. Assemblage van zijpoten "B" (Gebruik afbeelding 2.1 tot 2.4):

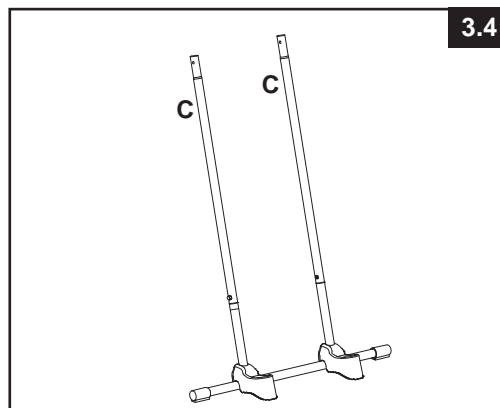
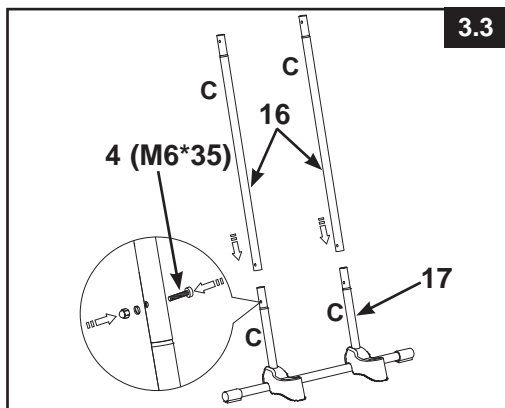
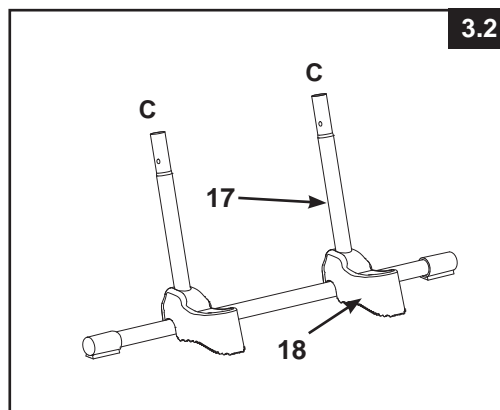
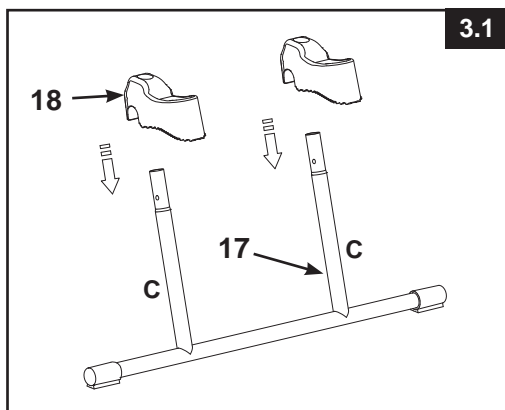


ZWEMBADTRAP HANDLEIDING (vervolg)

- Bovenste deel van de B poten in elkaar zetten (zie figuur 2.4):



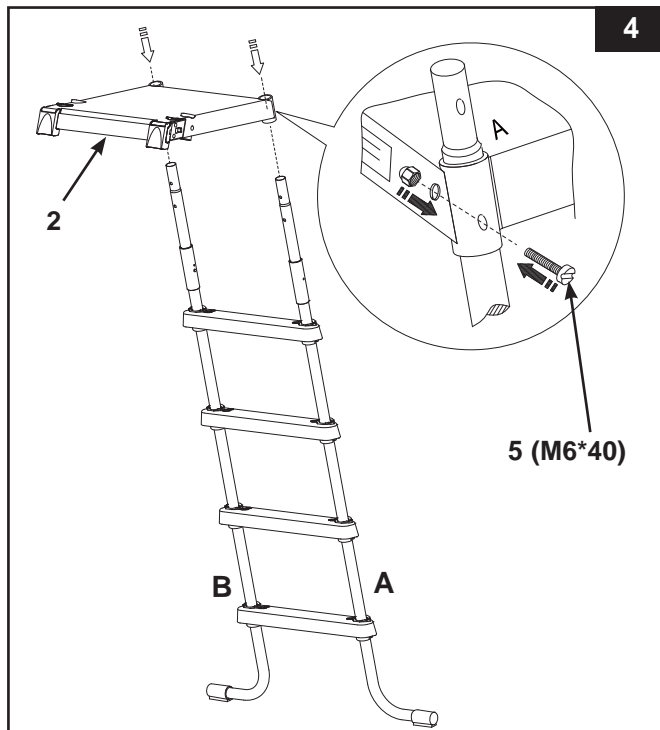
- 3. Assemblage van zijpoten "C" (Gebruik afbeelding 3.1 tot 3.4):



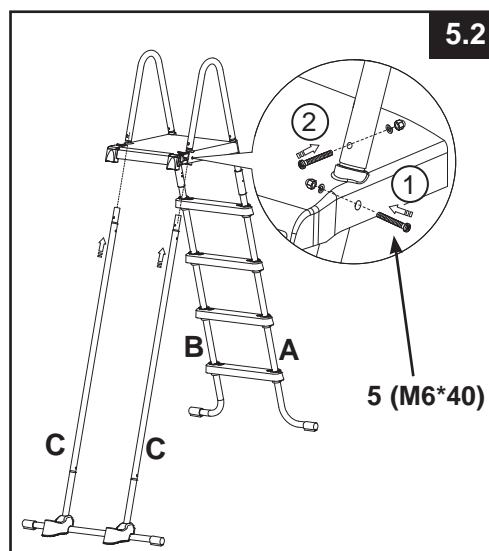
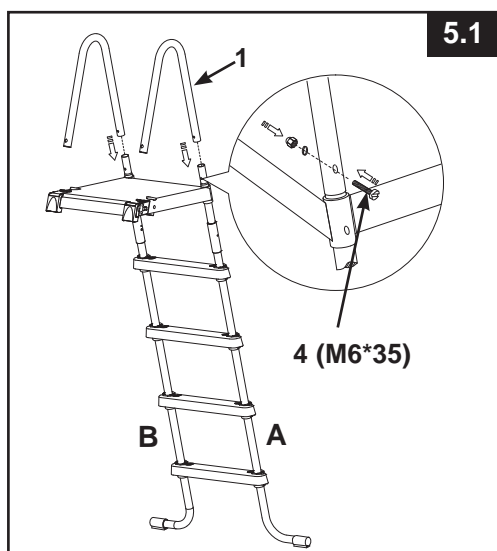
BELANGRIJK: controleer of de poten correct en stevig zijn gemonteerd.

ZWEMBADTRAP HANDLEIDING (vervolg)

4. Montage van het plateau (zie figuur 4):



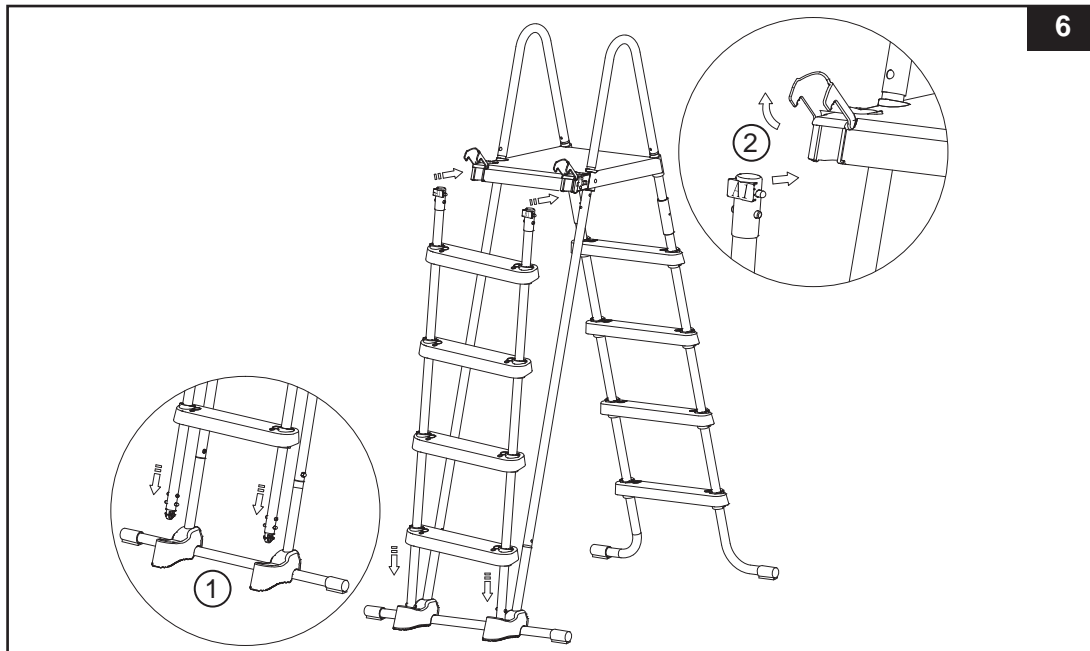
5. Montage van de bovenleuning (Gebruik afbeelding 5.1 tot 5.2):



BELANGRIJK: monteer één zijde per keer. Plaats de andere zijde van de trap niet alvorens de U-vormige toprailing is geïnstalleerd. De trap moet in elkaar worden gezet volgens de instructies van de fabrikant.

ZWEMBADTRAP HANDLEIDING (vervolg)

6. Assemblage van zijpoten "B" (zie figuur 6):



WAARSCHUWING

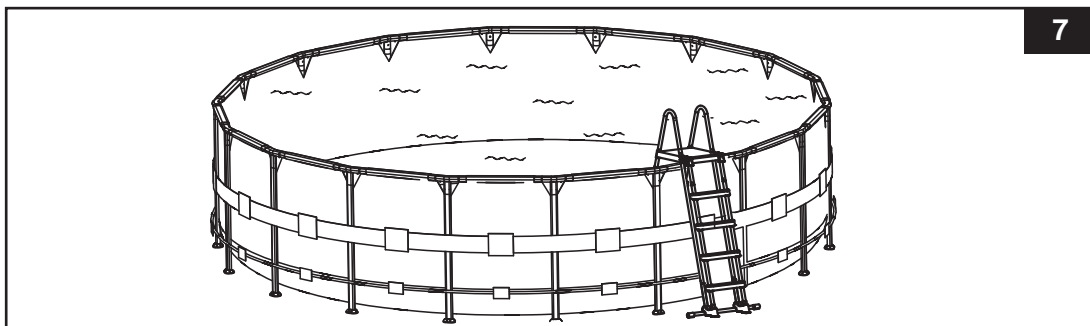
CONTROLEER VOOR IEDER GEBRUIK OF DE VERWIJDERBARE ZIJDE STE VIG IN HET VOETSTUK IS GEPLAATST EN DE KLEMMEN AAN DE VOORZIJDE VAN HET PLATFORM CORRECT ZIJN GESLOTEN

7. ONDERHOUD: Controleer alle moeren, bouten, treden en ankerموffen regelmatig om ervoor te zorgen dat alle onderdelen juist vastzitten en de ladder stevig staat.

8. Voor gebruik van de ladder (zie figuur 7):

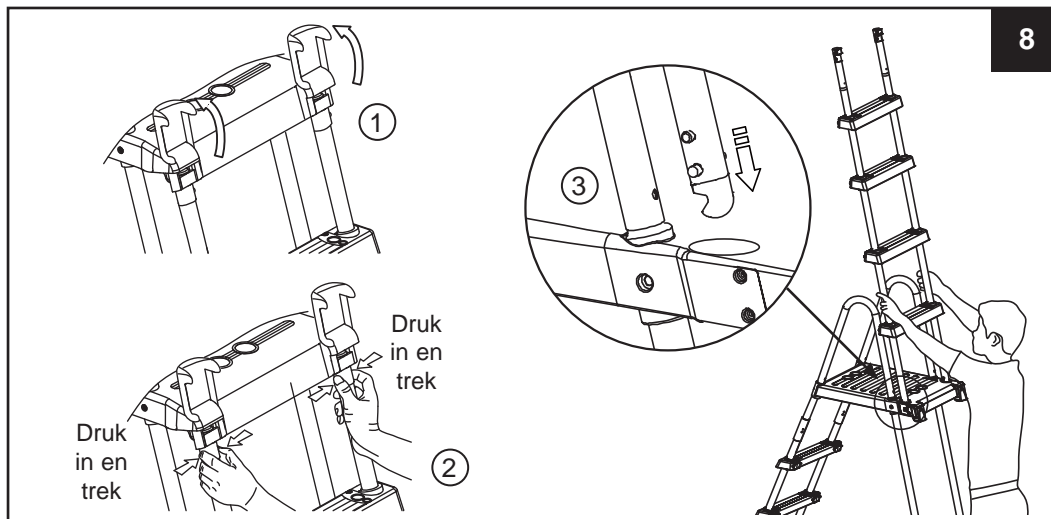
Controleer, als alle onderdelen in elkaar zitten, of alle schroeven en bouten goed vastzitten en oefen nu verticale druk uit op elk van de treden, om te controleren dat ze allemaal stevig verankerd zijn.

BELANGRIJK: Plaats de verwijderbare zijde aan de buitenzijde van het zwembad.



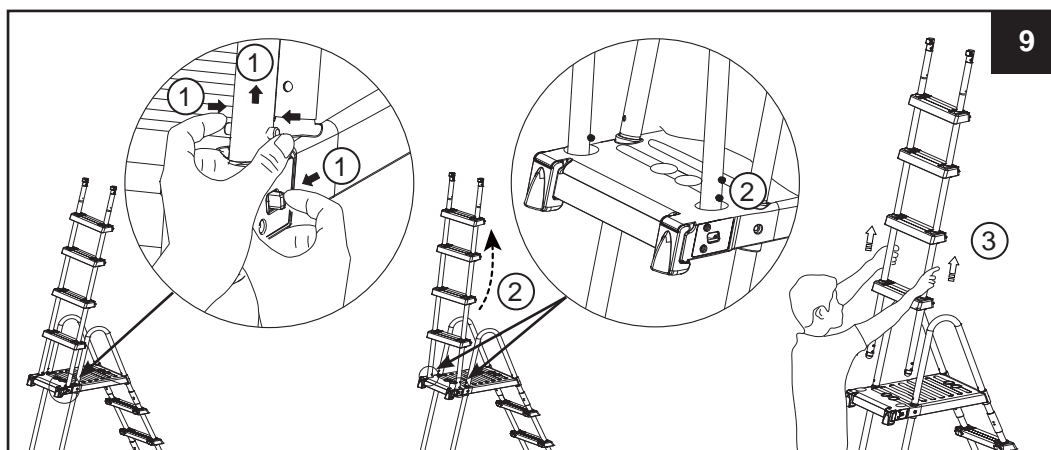
ZWEMBADTRAP HANDLEIDING (vervolg)

9. Na gebruik (zie figuur 8):



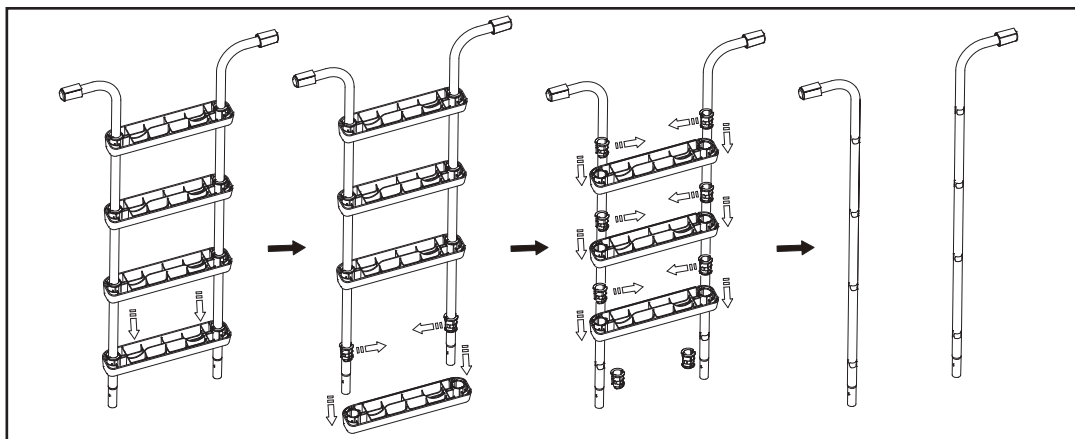
10. Het afneembare trapgedeelte losmaken en verwijderen (zie figuur 9):

- Trek het veerslot naar u toe met uw rechterhand en houd het in deze positie, druk tegelijkertijd met uw linkerhand de witte uitstekende knoppen in en haal de poot uit de holte die de onderste witte uitstekende knoppen onthullen.
- Laat de poot op de bovenste steun rusten (zorg dat deze niet opnieuw in de holte schuift) en haal het "afneembare trapgedeelte" uit de vastgezette positie.
- Zie stap 6 als u het afneembare trapgedeelte opnieuw wilt bevestigen.



WINTER KLAAR MAKEN/OPBERGEN ZWEMBADSISTEEM

1. Verwijder de "verwijderbare treden" als afgebeeld in het kopje "na gebruik", zie figuur 8.
2. Haal de trap uit het zwembad en droog alle onderdelen zorgvuldig alvorens deze voor een langere termijn op te bergen.
3. Berg de ladder en alle bijbehorende onderdelen binnenshuis op een veilige en droge locatie tussen 0° C (32° F) en 40° C (104° F) op.
4. Berg de ladder en alle bijbehorende onderdelen buiten bereik van kinderen op.
5. De ladder uit elkaar halen:



WAARSCHUWING

WANNEER NIET IN GEBRUIK DIEN T U DE TRAP IN DE VEILIGHEIDSSTAND TE PLAATSEN. BERG DE TREDEN OP EEN VEILIGE PLAATS OP BUITEN BEREIK VAN KINDEREN. SLUIT DE KLEMMEN.

ALGEMENE REGELS BETREFFENDE VEILIGHEID IN HET WATER

Recreëren in het water is leuk en heilzaam. Maar er zijn ook risico's aan verbonden, die kunnen leiden tot ernstige ongelukken of zelfs de verdrinkingsdood. Voorkom risico's: lees alle instructies aandachtig door en volg ze nauwkeurig op.

Realiseer dat de handleiding en alle meegeleverde instructies, u slechts in algemene zin op de gevaren van waterrecreatie kunnen wijzen. Het valt buiten de reikwijdte ervan om specifieke gevallen te behandelen. Wees dus altijd alert en gebruik uw gezond verstand. Uiteindelijk bent u zelf verantwoordelijk voor hoe u het product gebruikt.

Ter aanvulling nog enkele adviezen:

- Zorg voor constant toezicht. Wanneer kinderen gebruik maken van het zwembad dient een volwassene toezicht te houden.
- Leer zwemmen.
- Volg een cursus Eerste Hulp en leer mond-op-mond beademing.
- Zorg dat u op de hoogte bent van de gevaren van water en dat er veiligheidsmaatregelen getroffen zijn.
- Zorg dat de gebruikers van het zwembad op de hoogte zijn van de manier van handelen bij een noodgeval.
- Gebruik altijd uw gezond verstand bij spellen en activiteiten in het water.
- Houd toezicht, houd toezicht en houd toezicht.

VERKLARING VAN BEPERKTE GARANTIE

Uw Zwembad Trap is geproduceerd met de hoogste kwaliteit materialen en vakmanschap. Alle Intex producten zijn gecontroleerd en in orde bevonden vóór het verlaten van de fabriek. Deze beperkte garantie geldt alleen voor het Zwembad Trap.

Deze beperkte garantie wordt verstrekt als aanvulling op en zonder afbreuk te doen aan uw consumentenrechten. Indien deze garantie niet overeenkomt met een van uw wettelijke rechten, zullen de wettelijke rechten gelden.

De voorwaarden van deze Beperkte Garantie gelden slechts jegens de eerste eigenaar. Deze beperkte garantie geldt allen voor een periode van 90 dagen vanaf de datum van aankoop. Bewaar uw originele aankoopbon bij deze handleiding, daar het aankoopbewijs dient te worden overlegd ingeval van een klacht. Zonder aankoopbon is deze Beperkte Garantie niet geldig.

Indien er zich een productiefout voordoet binnen de periode van 90 dagen kunt u contact opnemen met het juiste service center, te vinden in de lijst met service centers. INTEX SERVICE zal de klacht met u bespreken en u eventueel vragen het artikel op te sturen voor inspectie. Is uw klacht gegrond en is aan de voorwaarden van deze Beperkte Garantie voldaan, dan wordt het artikel gerepareerd dan wel omgeruild en aan u geretourneerd, zonder kosten voor u. Indien er sprake is van garantie zal het product kosteloos gerepareerd worden of vervangen voor hetzelfde of een gelijkwaardig product (Intex bepalende factor).

Andere garanties dan deze en de wettelijk bepaalde rechten in uw land zijn niet van toepassing. Intex, haar agentschappen en/of medewerkers zijn onder geen enkele voorwaarde aansprakelijk jegens de koper of enige andere partij voor indirecte of vervolgschade veroorzaakt door Zwembad Trap van welke aard dan ook. Het is mogelijk dat sommige landen of rechtsgebieden de uitsluiting of beperking van aansprakelijkheid wegens bijkomende schade of gevolgschade niet toelaten. In dit geval zijn de bovenstaande uitsluitingen mogelijk niet van toepassing op u.

Deze beperkte garantie is niet van toepassing in onderstaande gevallen:

- Indien Zwembad Trap is onderworpen aan nalatigheid, abnormaal gebruik of toepassing, een ongeluk, onjuist gebruik, onderhoud of opslag.
- Indien Zwembad Trap onderhevig is aan schade veroorzaakt door omstandigheden buiten de macht van Intex, inclusief maar niet beperkt tot, normale slijtage en beschadiging veroorzaakt door blootstelling aan vuur, overstroming, vrieskou, regen en andere natuurkrachten.
- Op artikelen welke niet van het merk Intex zijn of Intex artikelen welke in combinatie met artikelen/onderdelen van een ander merk gebruikt worden; en/of
- Indien er aanpassingen, reparaties of demontage van Zwembad Trap zijn uitgevoerd door iemand anders dan een medewerker van Intex service.

Kosten van water, chemicaliën of waterschade worden niet door deze garantie gedekt. Tevens is de garantie niet van toepassing bij schade aan eigendommen of personen.

Lees de handleiding zorgvuldig voordat u het product gebruikt. Volg alle instructies nauwkeurig op voor het correct opzetten, afbreken en onderhouden van uw Zwembad Trap. Inspecteer het product altijd alvorens u het in gebruik neemt. Als u de aanwijzingen niet opvolgt, kan de Beperkte Garantie vervallen.



INTEX

Don't forget to try these other fine Intex products: Pools, Pool Accessories, Inflatable Pools and In-Home Toys, Airbeds and Boats available at fine retailers or visit our website.

N'oubliez pas d'essayer les autres produits de la gamme Intex : piscines hors sol, accessoires de piscine, piscines gonflables, jouets d'intérieur gonflables, airbeds et bateaux. Ces produits sont disponibles chez les différents revendeurs ou sur notre site internet.

No se olvide de probar otros productos Intex: Piscinas, Accesorios para piscinas, Piscinas inflables, Juguetes, Camas de aire y barcas están disponibles en nuestros distribuidores o visitando nuestra página web.

Wenn Sie Lust verspüren noch andere Intex Produkte auszuprobieren, wie unser Pool-Zubehör oder die Luftbetten, sowie die Spielwaren oder die Boote , dann besuchen Sie uns doch einfach auf unserer Homepage unter www.steinbach.at, einige Produkte sind auch im Fachhandel erhältlich.

Non dimenticate di acquistare anche gli altri prodotti Intex: Le Piscine fuori terra, gli Accessori per piscine, le Piscine gonfiabili, I Prodotti In-Toyz, i Materassi gonfiabili Airbed e i Canotti sono prodotti Intex disponibili presso i rivenditori oppure visitando il sito Internet.

Probeer ook eens onze andere Intex producten, zoals: zwembad accessoires, opblaasbare zwembaden, speelgoed voor binnenshuis, luchtbedden en boten. Te verkrijgen bij de betere speelgoed- en zwembadwinkels. Of kijk eens op onze website.

©2017 Intex Marketing Ltd. - Intex Development Co. Ltd. - Intex Trading Ltd. - Intex Recreation Corp.
All rights reserved/Tous droits réservés/Todos los derechos reservados/Alle Rechte vorbehalten. Printed in China/Imprimé en Chine/Impreso en China/Gedruckt in China.
®™ Trademarks used in some countries of the world under license from/®™ Marques utilisées dans certains pays sous licence de/Marcas registradas utilizadas en algunos países del mundo bajo licencia de/Warenzeichen verwendet in einigen Ländern der Welt in Lizenz von/Intex Marketing Ltd. to/à/a/an Intex Trading Ltd., Intex Development Co. Ltd., G.P.O Box 28829, Hong Kong & Intex Recreation Corp., P.O. Box 1440, Long Beach, CA 90801 • Distributed in the European Union by/Distribué dans l'Union Européenne par/Distribuido en la unión Europea por/Vertrieb in der Europäischen Union durch/ Intex Trading B.V., Venneveld 9, 4705 RR Roosendaal – The Netherlands
www.intexcorp.com

