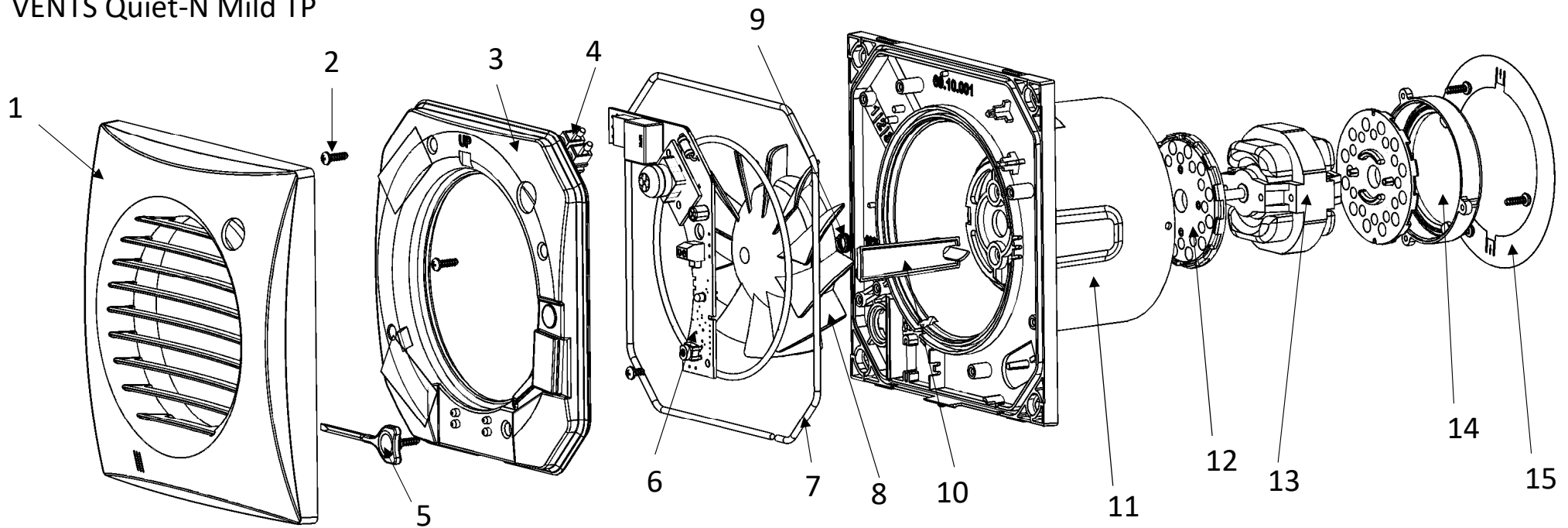


# VENTS Quiet-N Mild TP



No.	Quantity	Name	Designation	No.	Quantity	Name	Designation
1	1	Front grill	ABS	9	1	Spring	Steel
2	8	Screw 3,0	Steel	10	1	Plate	ABS
3	1	Cover	ABS	11	1	Case	ABS
4	1	Terminal	PAB	12	2	Damper	Rubber
5	1	Screwdriver	ABS	13	1	Motor	BL58-...
6	1	Terminal board with timer and motion sensor	PCB, Quiet-TP	14	1	Cover	ABS
7	1	Insulation	Gum	15	1	Membrane	PET
8	1	Impeller	ABS				