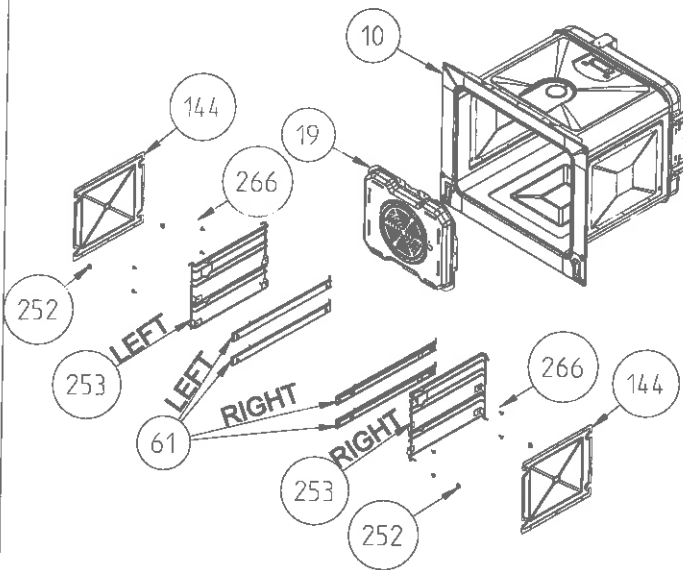
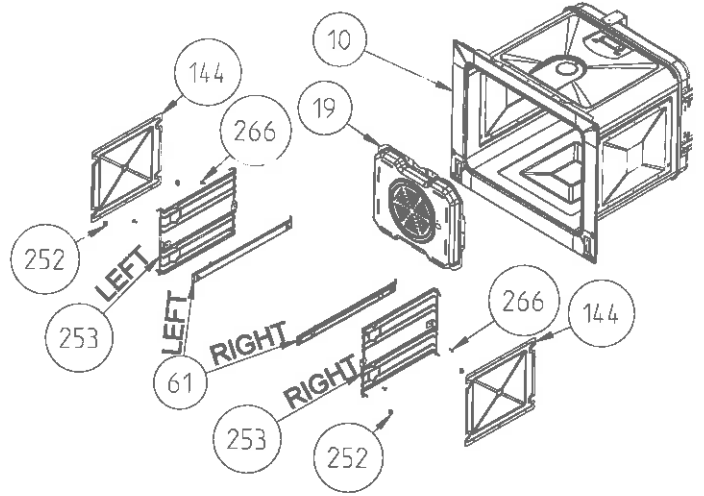


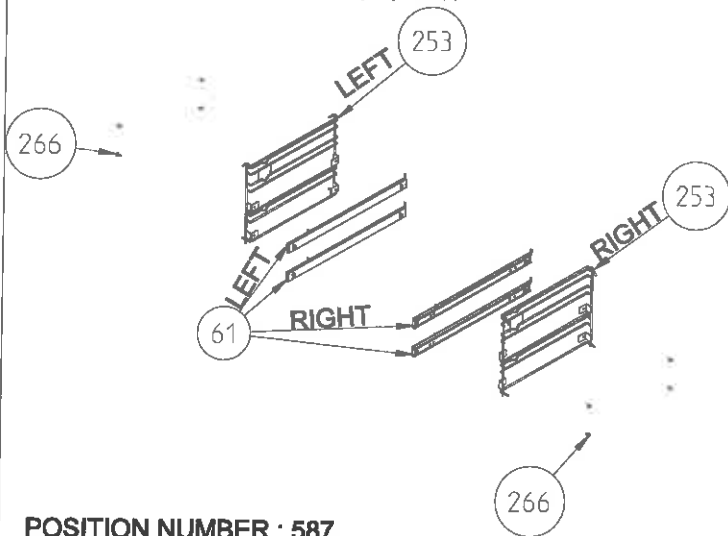
WIRE SHELF CAVITY ASSEMBLY  
WITH / WITHOUT CATALYTIC PANEL (OPTIONAL)



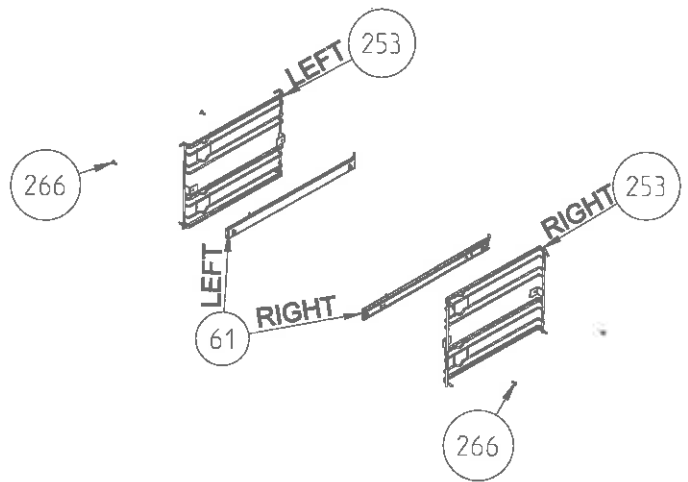
**WIRE SHELF CAVITY ASSEMBLY  
WITH/ WITHOUT CATALYTIC PANEL  
OPTIONAL:DOUBLE TELESCOPIC RAIL (R / L)**



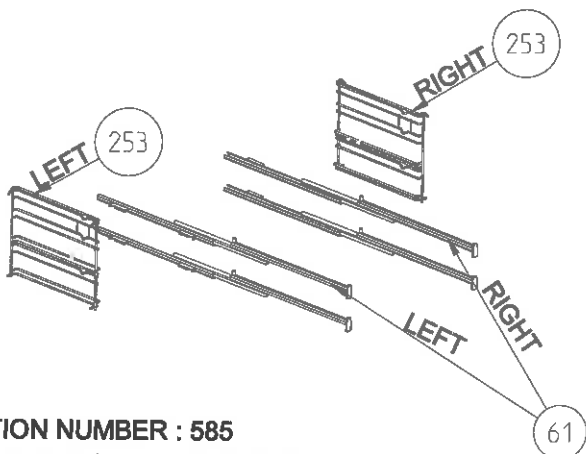
**WIRE SHELF CAVITY ASSEMBLY  
WITH/ WITHOUT CATALYTIC PANEL  
OPTIONAL:TELESCOPIC RAIL (R / L)**



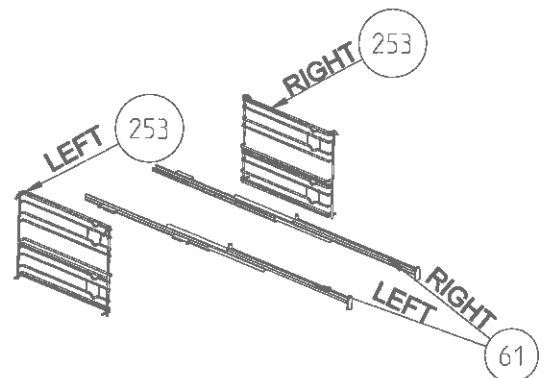
**POSITION NUMBER : 587  
WIRE SHELF (SINGLE EXTENSION)  
OPTIONAL:DOUBLE TELESCOPIC RAIL (R / L) GROUP**



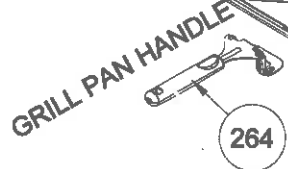
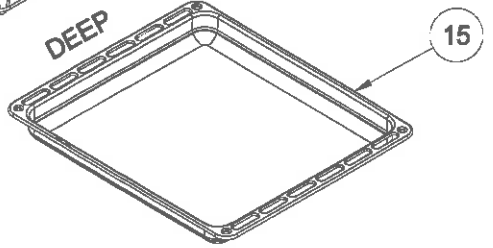
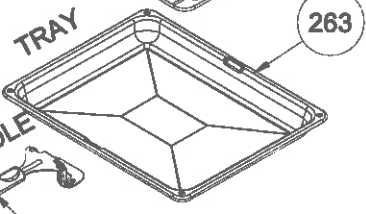
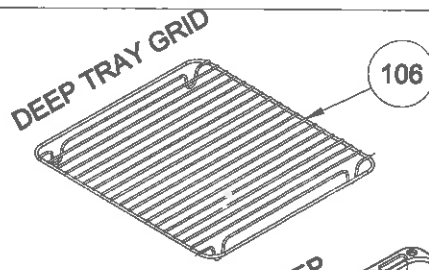
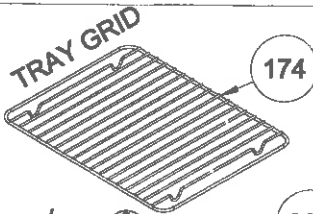
**POSITION NUMBER :588  
WIRE SHELF (SINGLE EXTENSION)  
OPTIONAL: SINGLE TELESCOPIC RAIL (R / L) GROUP**



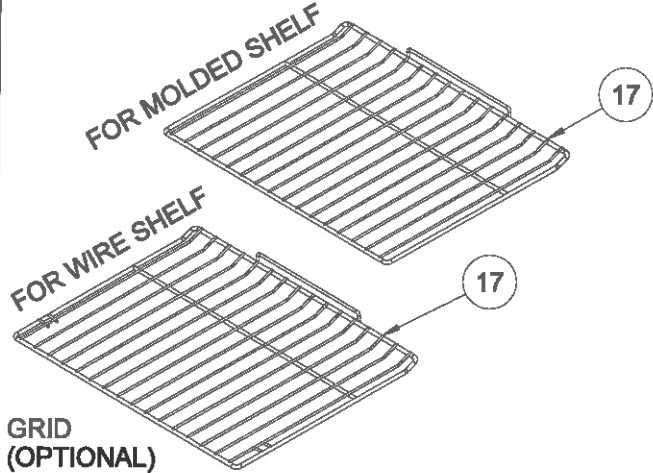
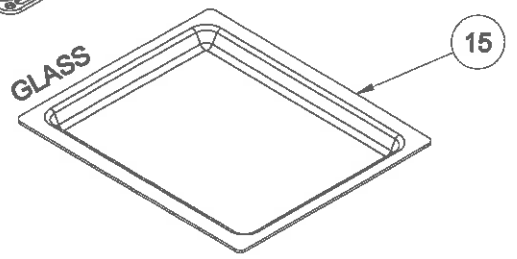
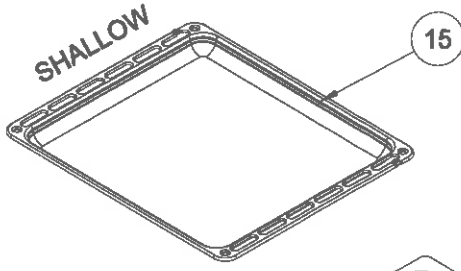
**POSITION NUMBER : 585  
WIRE SHELF (FULL EXTENSION)  
OPTIONAL:DOUBLE TELESCOPIC RAIL (R / L) GROUP**



**POSITION NUMBER: 586  
WIRE SHELF (FULL EXTENSION)  
OPTIONAL: SINGLE TELESCOPIC RAIL (R / L) GROUP**

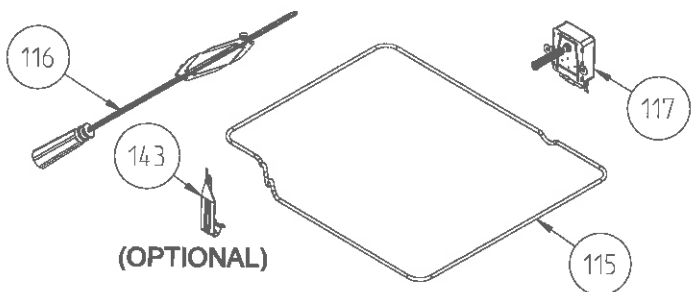


GRILL PAN AND HANDLE SET  
(TRAY SET FOR GRILL)  
POSITION NUMBER : 265 (OPTIONAL)

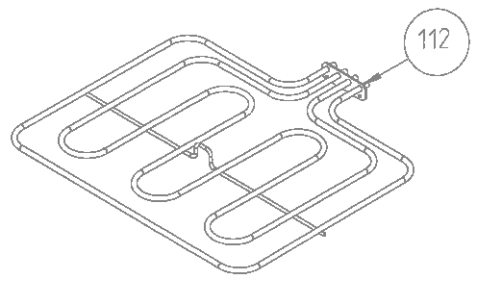


GRID  
(OPTIONAL)

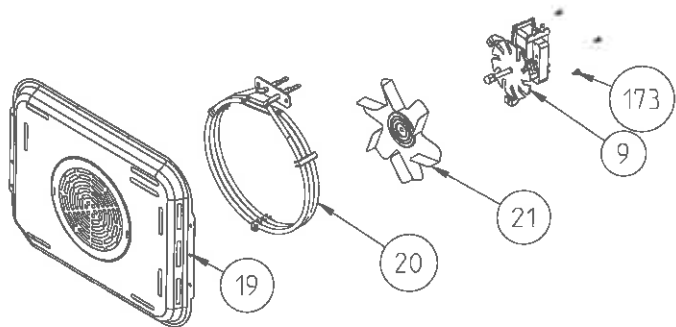
TRAYS & GRID  
(OPTIONAL FOR DB.OVEN ELC)



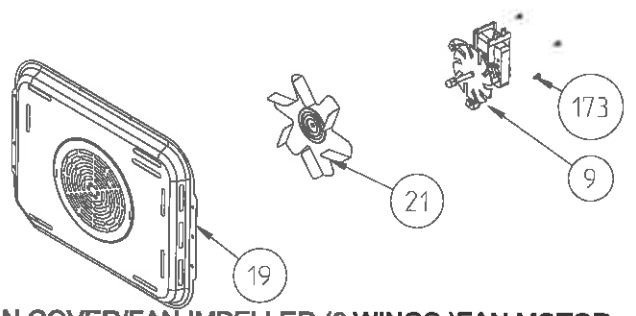
TRUNSPIT  
(OPTIONAL)



TOP AND HEATING GRILL ELEMENT  
(OPTIONAL)



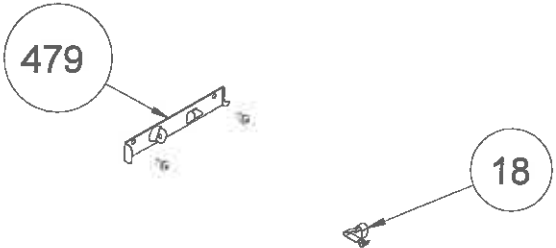
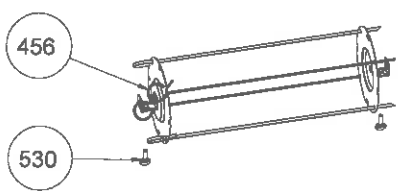
RING HEATING ELEMENT WITH FAN (OPTIONAL)



FAN COVER/FAN IMPELLER (6 WINGS) FAN MOTOR  
(OPTIONAL)

SHISH KEBAB ACCESSORY (OPTIONAL)

THERMOSTAT BULB HOLDER BRACKET



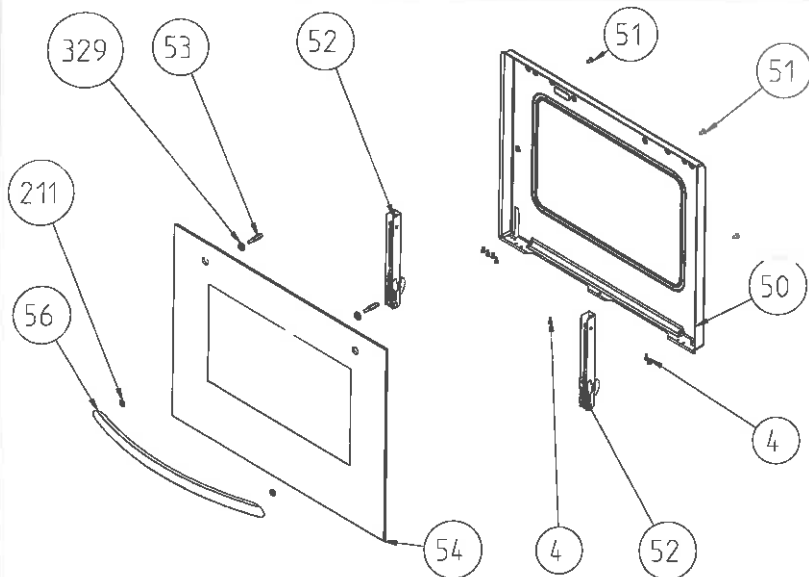
**CAVITY SPARE PART LIST**

<b>POSITION NUMBER</b>	<b>PART NAME</b>
2 / 618	OVEN LIGHT / LAMP
4	SCREW (3.9x9.5)
7	REAR INSULATION COVER
9	FAN MOTOR
10	CAVITY
12	HINGE COUNTERPART (RIGHT /LEFT)
13	SCREW (COUNTERSUNK-HEAD, M4*8, BLACK)
14	BOTTOM INSULATION COVER
15	TRAY (DEEP / SHALLOW / GLASS )
16	OVEN DOOR GASKET
17	GRID (LOCKED /W. TELESCOPIC RAIL)
18	THERMOSTAT BULB BRACKET (FROM 12 12 2011)
19	FAN COVER
20	RING TUBULAR HEATING ELEMENT
21	FAN IMPELLER
28	REAR TOP PANEL
29	REAR PANEL
30	TERMINAL BOX
31	POWER CORD
32	SIDE PANEL (RIGHT / LEFT)
40	SCREW (KNURLED, 3.5*9.5)
61	TELESCOPIC RAIL (LEFT / RIGHT)
71	SCREW (KNURLED, 3.9*6.5)
80	SCREW (KNURLED, M4*6)
106	DEEP TRAY GRID
107	WASHER
110	BOTTOM HEATING ELEMENT
111	BOTTOM HEATING ELEMENT HOLDER
112	TOP AND GRILL HEATING ELEMENT
114	TOP HEATING ELEMENT BULB BRACKET
115	TURNSPIT HOUSE (SHELF)
116	TURNSPIT SKEWER (OPTIONAL)
117	TURNSPIT MOTOR
125	SPACER
126	SCREW (COUNTERSUNK-HEAD, 3.5*25, BLACK)
143	TURNSPIT HOUSE
144	CATALYTIC PANEL WITH WIRE SHELF(
173	SCREW (KNURLED, 3.9*13)
174	TRAY GRID
200	BOTTOM PANEL (NEW B-IN)
201	COOLING MOTOR
202	TOP INSULATION COVER
203	COOLING FAN DUCT
207	TOP PANEL
252	WIRE SHELF FIXING CLIP
253	WIRE SHELF ( LEFT/RIGHT)
263	GRILL TRAY (BLACK)
264	TRAY HOLDER
265	GRILL PAN SET (SMALL / BLACK)
266	SCREW (KNURLED, M4*4T, STAINLESS)
292	DOOR SWITCH SCREW
294	WASHER

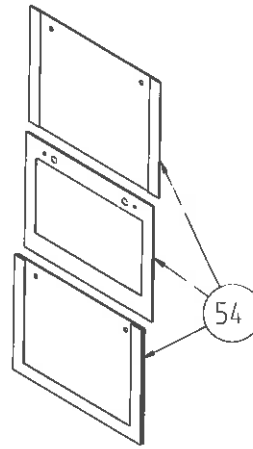
**CAVITY SPARE PART LIST**

<b>POSITION NUMBER</b>	<b>PART NAME</b>
328	WASHER (ENAMELLED,BLACK)
360	BUILT-IN OVEN DOOR SILICON BUFFER
448	LIMIT THERMOSTAT
456	SHISH KEBAB ACCESSORY
479	THERMST BULB HOLDER
515	ELECTRONIC THERMOSTAT
530	EYE SCREW (M5*12,AISI304)
552	EXHAUST (B-IN,NEW)
553	EXHAUST TOP PANEL (NEW G. B-IN)
585	STRING SHELF GROUP (FULL EXTENSION)
586	STRING SHELF GROUP (FULL EXTENSION)
587	STRING SHELF GROUP (SINGLE EXTENSION)
588	STRING SHELF GROUP (SINGLE EXTENSION)
608	LIMIT BRACKET SCREWING
621	FRAME SUPPORT PART ( LEFT/RIGHT)
622	DOOR SWITCH

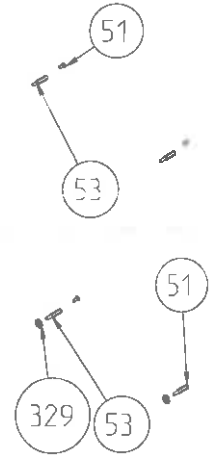
The exploded view given in this document are generic.They include all possible versions of the product.For specific part codes please refer to the bom list of regarding model.



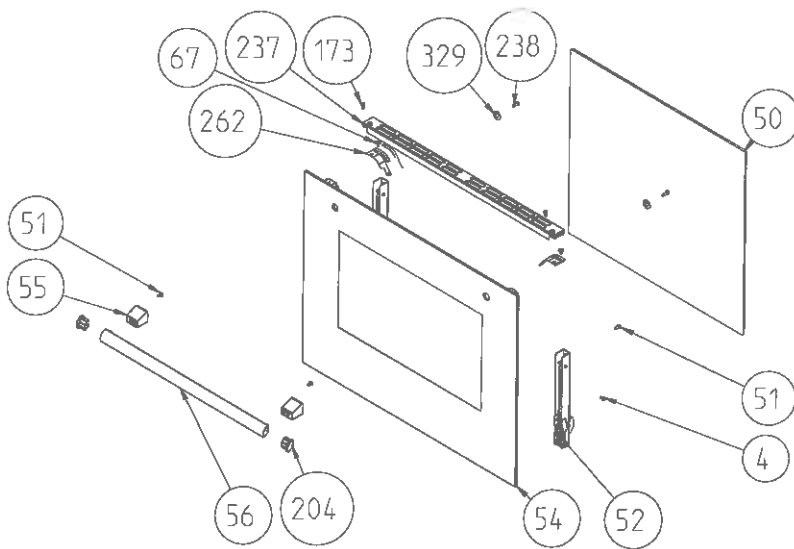
**OVEN DOOR ASSEMBLY (OUTER & INNER)  
(POSITION NO 378)**



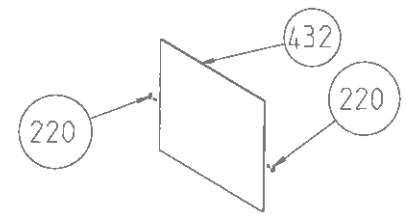
**OVEN DOOR OUTER  
GLASS ASSEMBLY WITH  
INOX ADD-ON TYPES  
(OPTIONAL)**



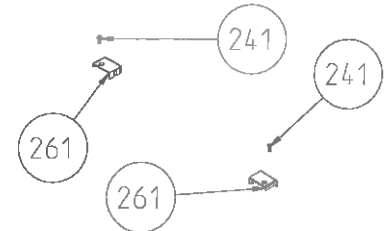
**HANDLE ASSEMBLY  
GROUP  
(POSITION NO 49)  
(OPTIONAL)**



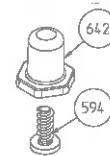
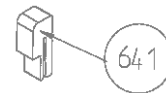
**FLAT OVEN DOOR WITH FULL GLASS STRUCTURE (POSITION NO 377)  
(OPTIONAL)**



**INTERVAL GLASS  
(OPTIONAL)**



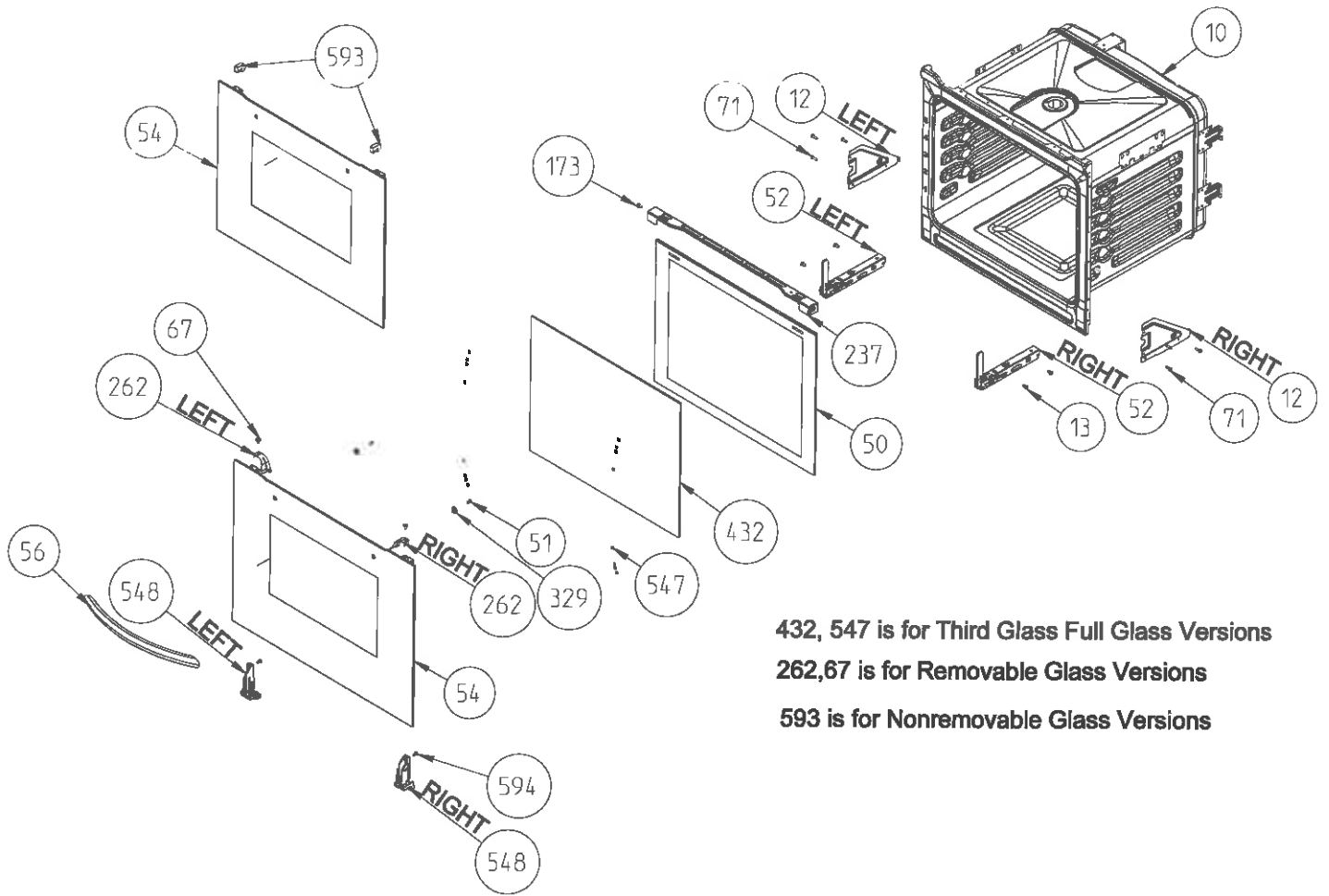
**OVEN DOOR TOP PANEL PARTS  
(OPTIONAL)**



USED IN ALL PRODUCT WITH DOOR SWITCH

\*Metal frames on outer glass, handle types, handle taps and brackets are optional.  
Your cooker may be different cosmetically.

BUILT-IN OVEN FULL GLASS OVEN DOOR

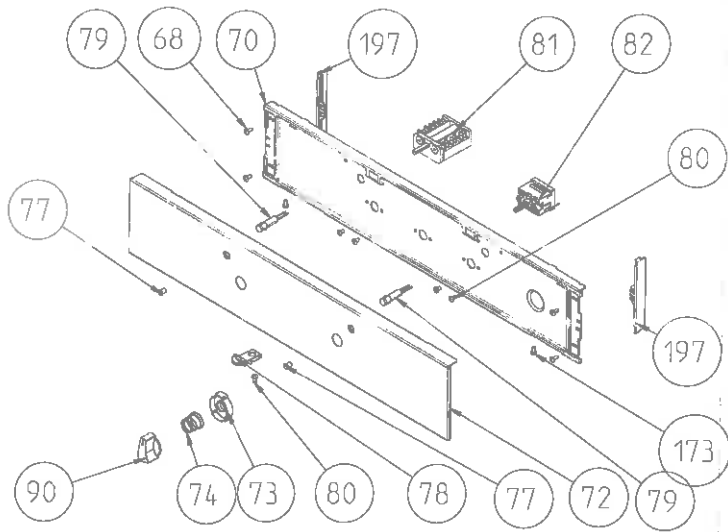


432, 547 is for Third Glass Full Glass Versions  
 262,67 is for Removable Glass Versions  
 593 is for Nonremovable Glass Versions

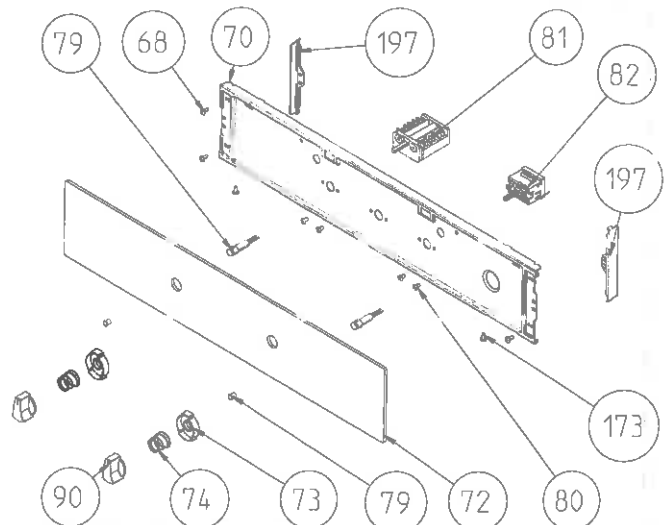
### OVEN DOOR OUTER GLASS ASSEMBLY PARTS

POSITION NUMBER	PART NAME
4	SCREW (KNURLED, 3.9*9.5, BLACK)
49	HANDLE ASSEMBLY GROUP
50	INNER GLASS ASSEMBLY
51	SCREW (CIRCULAR-HEAD, M5*10) SCREW (COUNTERSUNK-HEAD, M5*10, BLACK)
52	OVEN DOOR HINGE
53	OVEN DOOR HANDLE ASSEMBLY STUD
54	OUTER GLASS ASSEMBLY
55	HANDLE BRACKET / BRACKET WITH CAP
56	HANDLE BODY (ELLIPSE ARC,FLAT QUADRANGLE,ARC TUBE,FLAT SLICE,D PROFILE ARC,ARC QUADRANGLE,3D QUADRANGLE,TRIO,METALUX,HANDLE WITHOUT FAN)
67	SCREW (3.9*9.5, SLIM HEAD)
329	FLAT WASHER
173	SCREW (COUNTERSUNK-HEAD, 3.9*13, BLACK)
204	HANDLE TAP
211	HANDLE ASSEMBLY GASKET
220	INTERVAL FRONT PANEL SPRING
237	DOUBLE GLAZED OVEN DOOR METAL TRIM
238	SCREW (COUNTERSUNK-HEAD, M5*18, BLACK)
241	SCREW (COUNTERSUNK-HEAD, 3.9*22, BLACK)
261	TOP PANEL PROFILES (RIGHT / LEFT)
262	REMOVABLE INNER GLASS SPRING (RIGHT / LEFT)
329	FLAT WASHER
377	FLAT PROF. COMPLETE DOOR
378	SOLID TYPE OVEN DOOR ASSEMBLY
432	B-IN DOOR BIG INTERVAL GLASS
547	FG SILIKON RING
548	NEW PLASTIC HINGE SLOT (RIGHT /LEFT)
593	FG STOPPER BUFFER
594	SCREW(YSB, PT)
641	INNER GLASS STOPPER
642	DOOR SWITCH COUNTERPART

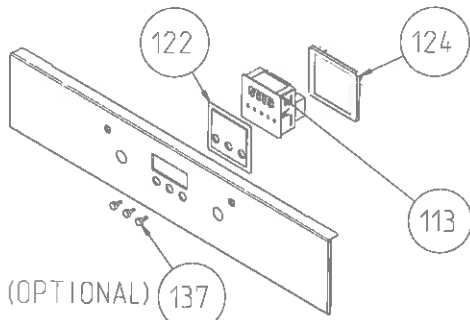
"The exploded views given in this document are generic.They include all possible versions of the product. For specific part codes, please refer to the bom list of regarding model."



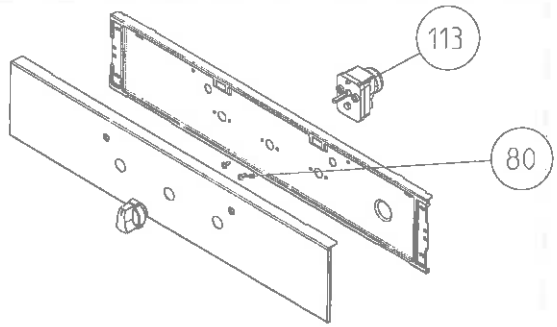
METAL CONTROL PANEL ASSEMBLY



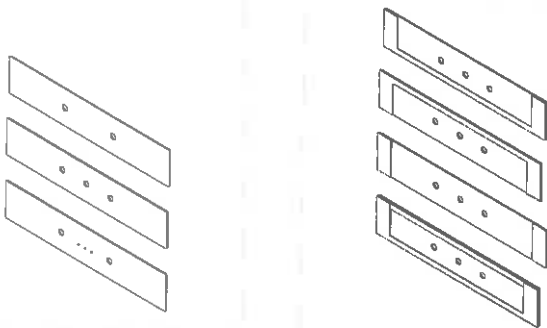
GLASS CONTROL PANEL ASSEMBLY (OPTIONAL)



(OPTIONAL) DIGITAL TIMER (OPTIONAL)

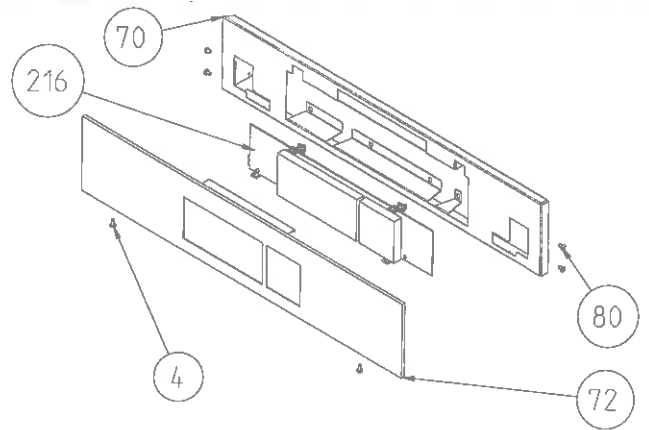


MECHANIC TIMER (OPTIONAL)

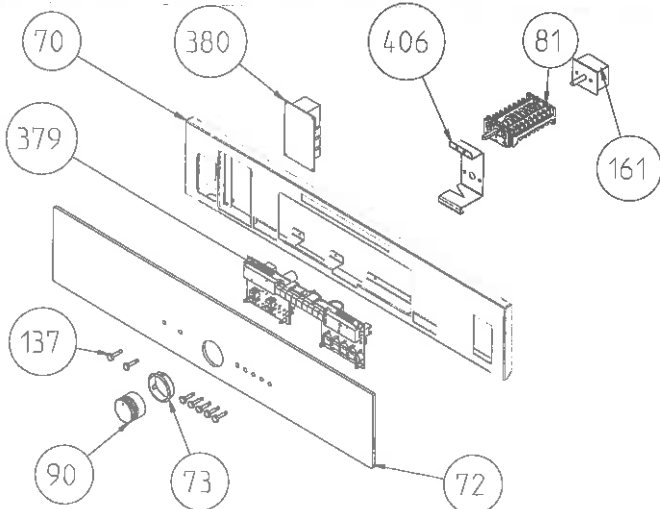


GLASS CONTROL PANELS (OPTIONAL)

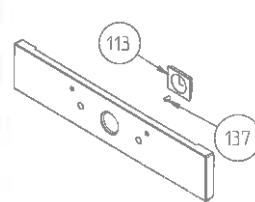
GLASS CONTROL PANELS WITH INOX ADD-ONS (OPTIONAL)



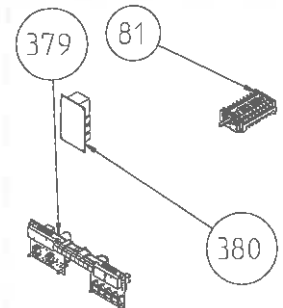
TOUCH CONTROLLED GLASS CONTROL PANEL ASSEMBLY (OPTIONAL)



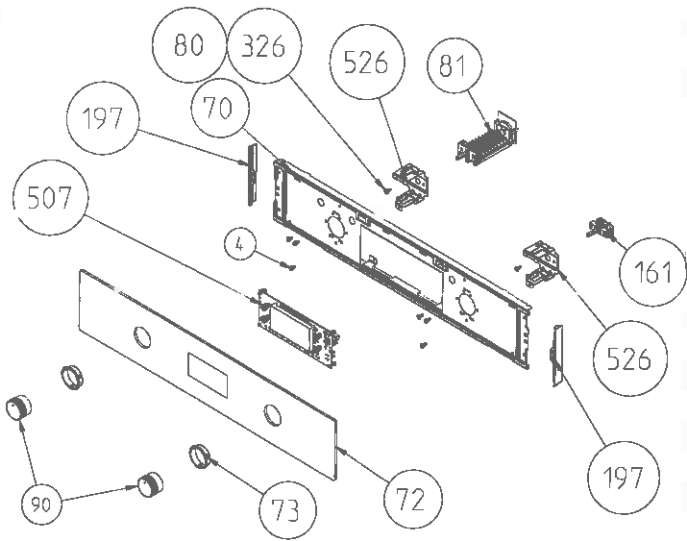
ELECTRONIC TIMERED GLASS CONTROL PANEL ASSEMBLY (OPTIONAL)



ANALOG TIMER (OPTIONAL)

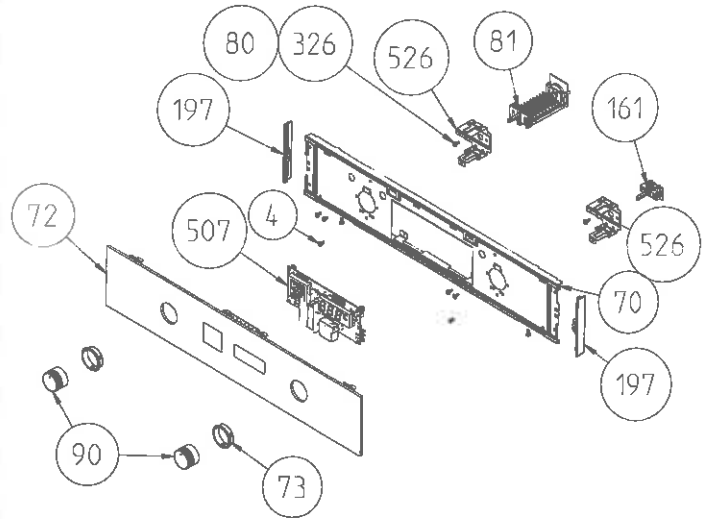


OVEN ELECTRONIC CONTROL GROUP (POSITION NO 381)



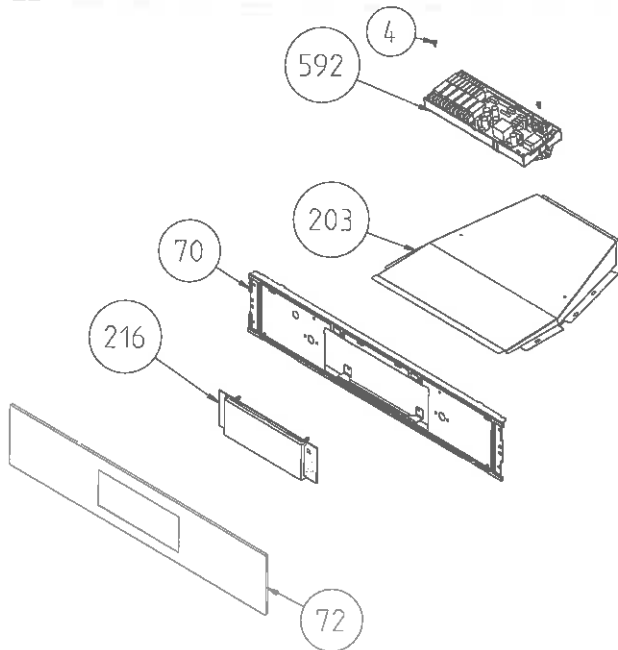
NOTE: The screws shown by the number 326 is used in transparent pipe knobs.

VISIO TOUCH TIMED GLASS CONTROL PANEL ASSEMBLY (OPTIONAL)

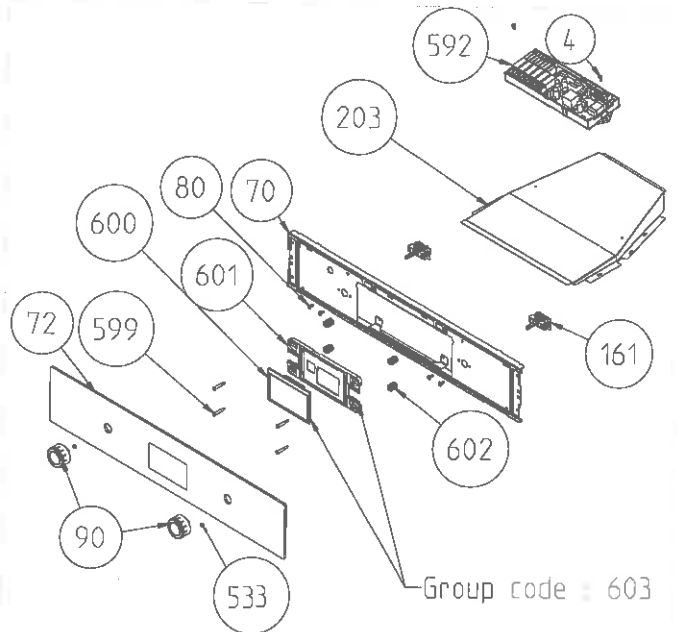


NOTE: The screws shown by the number 326 is used in transparent pipe knobs.

VISIO DISPLAY TIMED GLASS CONTROL PANEL ASSEMBLY (OPTIONAL)



VESTEL FULL TOUCH GLASS CONTROL PANEL ASSEMBLY (OPTIONAL)



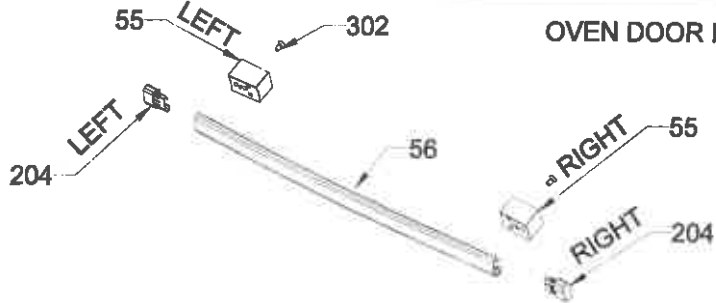
LCD SMART GLASS CONTROL PANEL ASSEMBLY (OPTIONAL)

**CONTROL PANEL ASSEMBLY SPARE PART LIST**

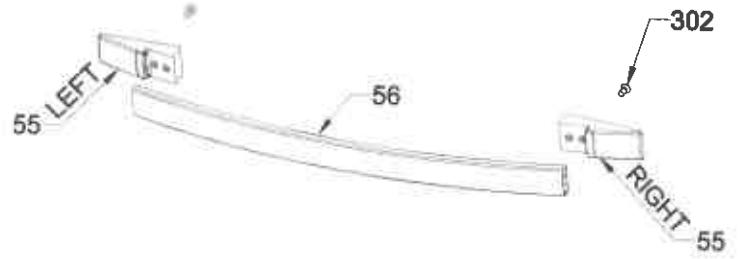
<b>POSITION NUMBER</b>	<b>PART NAME</b>
4	SCREW (KNURLED,3,9X9,5)
68	SCREW (KNURLED,3,9X9,5 BLUNT TYPE)
70	INNER PANEL
72	FRONT PANEL GROUP (GLASS / METAL)
73	KNOB RING
74	KNOB SPRING
77	SIGNAL LAMP LENS
78	CHILD LOCK
79	SIGNAL LAMP BODY
80	SCREW KNURLED (M4X6)
81	FUNCTION SELECTOR SWITCH
82	CAPILLARY THERMOSTAT
90	KNOB-ELECTRICAL
113	TIMER (MECHANIC / DIGITAL /ANALOG)
122	DIGITAL TIMER LENS (BULD-IN / FS)
124	TIMER HOLDER (ONLY FOR METAL PANEL)
137	TIMER BUTTON
161	ENCODER POWER SWITCH WITH 10 DEGREES
173	SCREW (COUNTERSUNK-HEAD, 3.9*13)
197	INNER PANEL SIDE PLASTIC PART (LEFT / RIGHT)
203	COOLING FAN DUCT
216	TOUCH CONTROL UNIT
326	SCREW (KNURLED, M4*8)
379	OVEN CIRCUIT
380	MAIN POWER CARD T105 230V 50HZ
381	OVEN ELECTRONIC CONTROL GROUP
406	POWER SWITCH SUPPORT
507	VISIO CONTROL WITH TOUCH INTERFACE
526	POP IN ASSEMBLY BRACKET (BUILT-IN)
533	KNOB FEED GASKET
592	VSTL FRN ANKRT 09/19/50/51 FR10 GRUP
599	TFT MODUL SCREW
600	VSTL LCD KNOB WIFI FR15 23103296
601	TFT DISPLAY HOLDER
602	TFT MODUL SPRING
603	TFT MODUL SPRING

The exploded views in given in this document are generic.They include all possible versions of product. For specific part codes,please refer to the bom list regarding model.

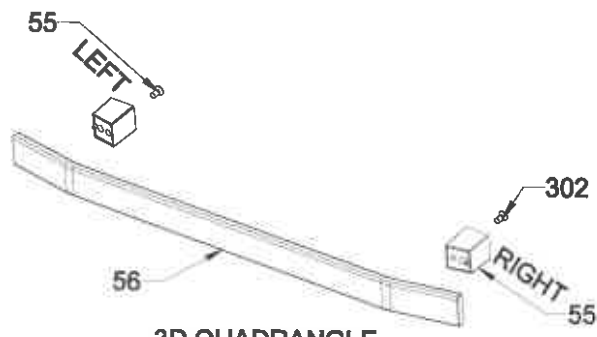
OVEN DOOR HANDLES (OPTIONAL)



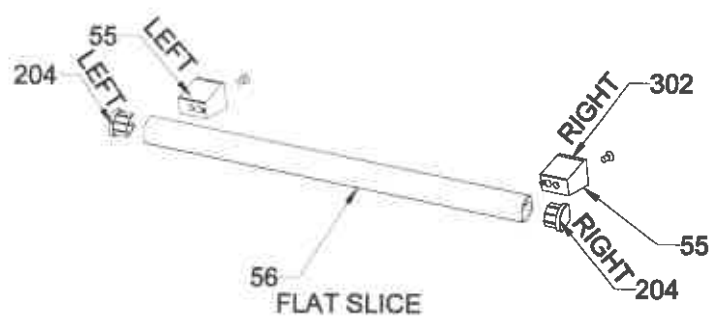
CURVED QUADRANGLE



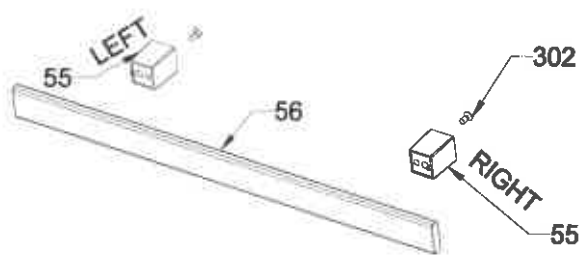
ARC QUADRANGLE



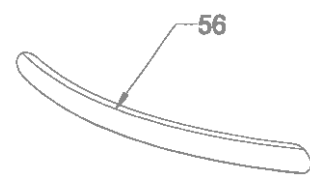
3D QUADRANGLE



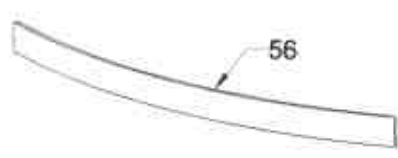
FLAT SLICE



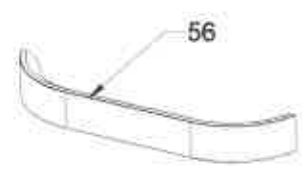
FLAT QUADRANGLE



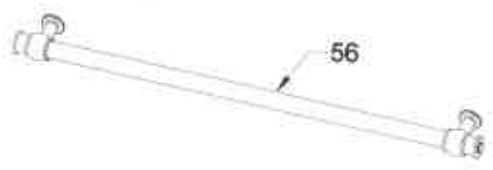
ELLIPSE ARC



D PROFILE ARC, ELECTROLUX



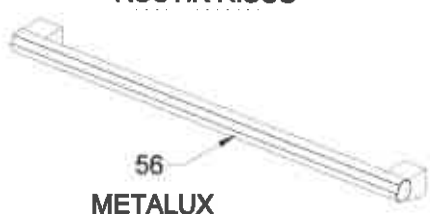
BOW



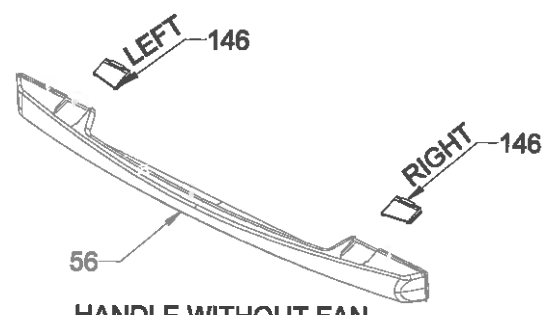
RUSTIK RISUS



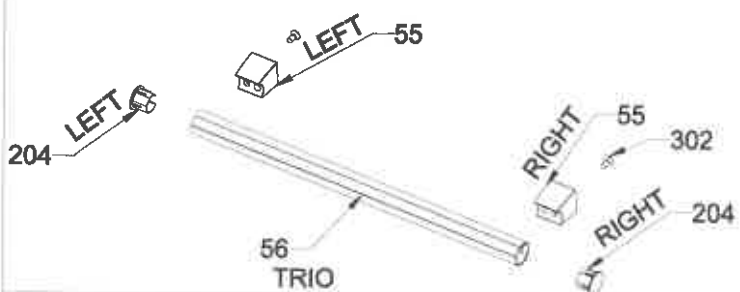
D PROFILE ARC



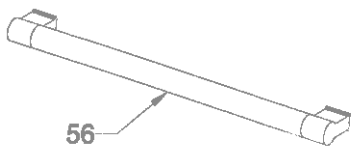
METALUX



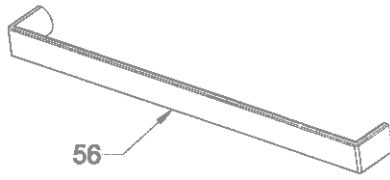
HANDLE WITHOUT FAN



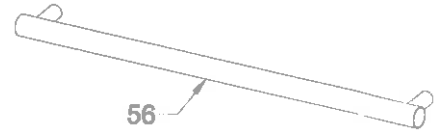
TRIO



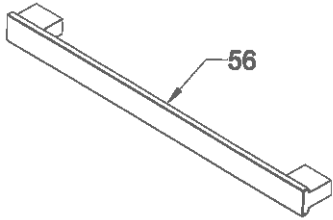
TROY



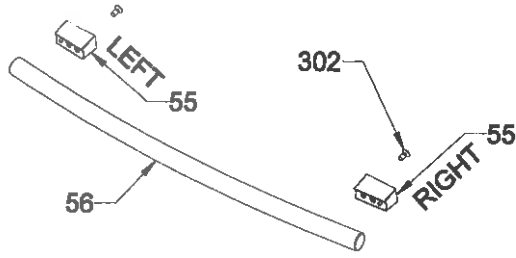
VERO



CYLINDER

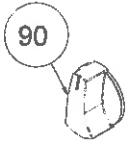


TITAN VESTEL & SHARP ONLY

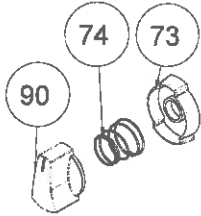


ARC TUBE

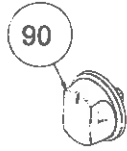
KNOBBS ( ONLY FOR BUILT-IN - OPTIONAL )



DELTA



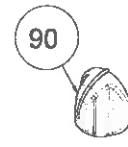
DELTA RING



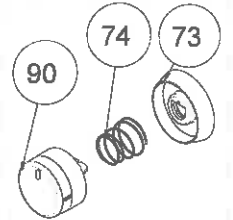
ALFA



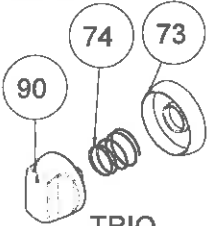
GAMA



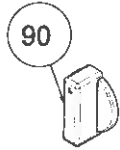
ZETA



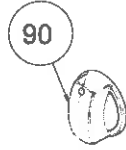
SIGMA(SMALL)



TRIO



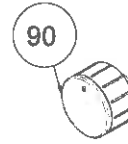
CANDY



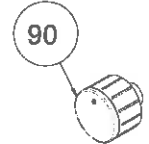
ECLIPSE



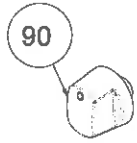
RUSTIC RISUS



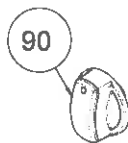
BIG MACRO



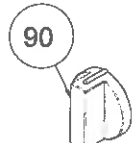
SMALL MACRO



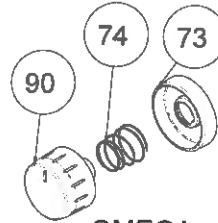
VESTA



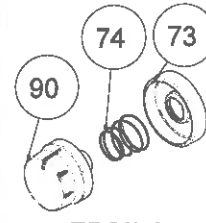
JANNU



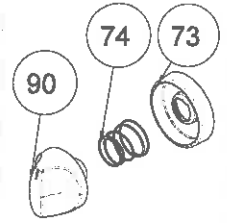
NORD



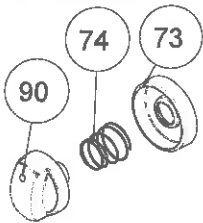
OMEGA



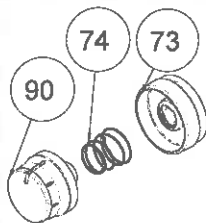
EPSILON



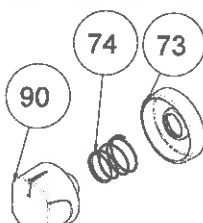
GAMA RING



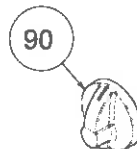
ECLIPSE RING



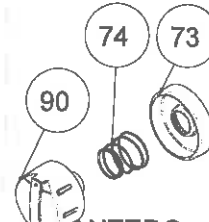
SPECTRUM



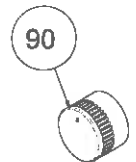
RIMO



VARIO



ANTERO



POP-IN