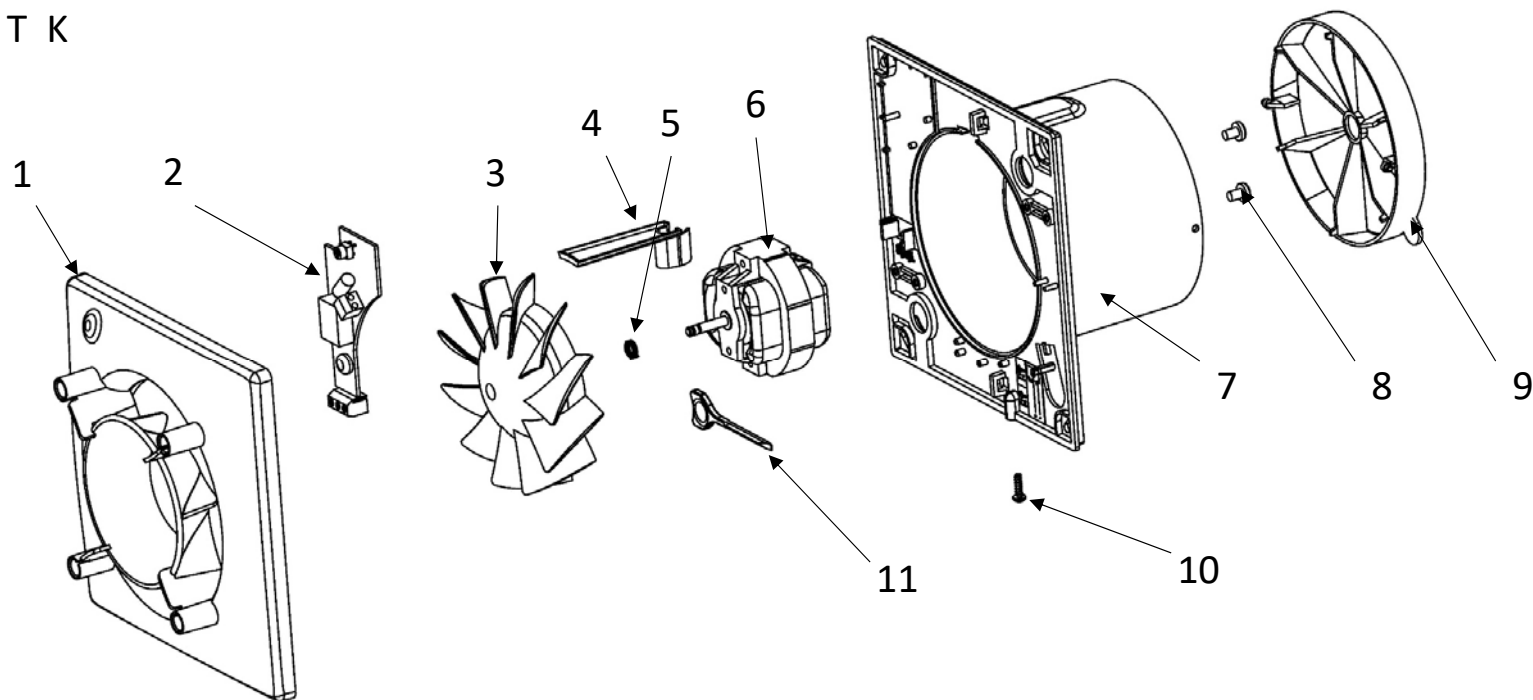


Vents 100/125 Ace T K



No.	Quantity	Name	Designation	No.	Quantity	Name	Designation
1	1	Front grill	ABS	7	1	Case	ABS
2	1	Terminal board with timer	PCB, MF-T	8	2	Screw M4	Steel
3	1	Impeller	ABS	9	1	Check valve	ABS
4	1	Cover	ABS	10	1	Screw 3,0	Steel
5	1	Spring	Steel	11	1	Screwdriver	PP
6	1	Motor	BL58-...				