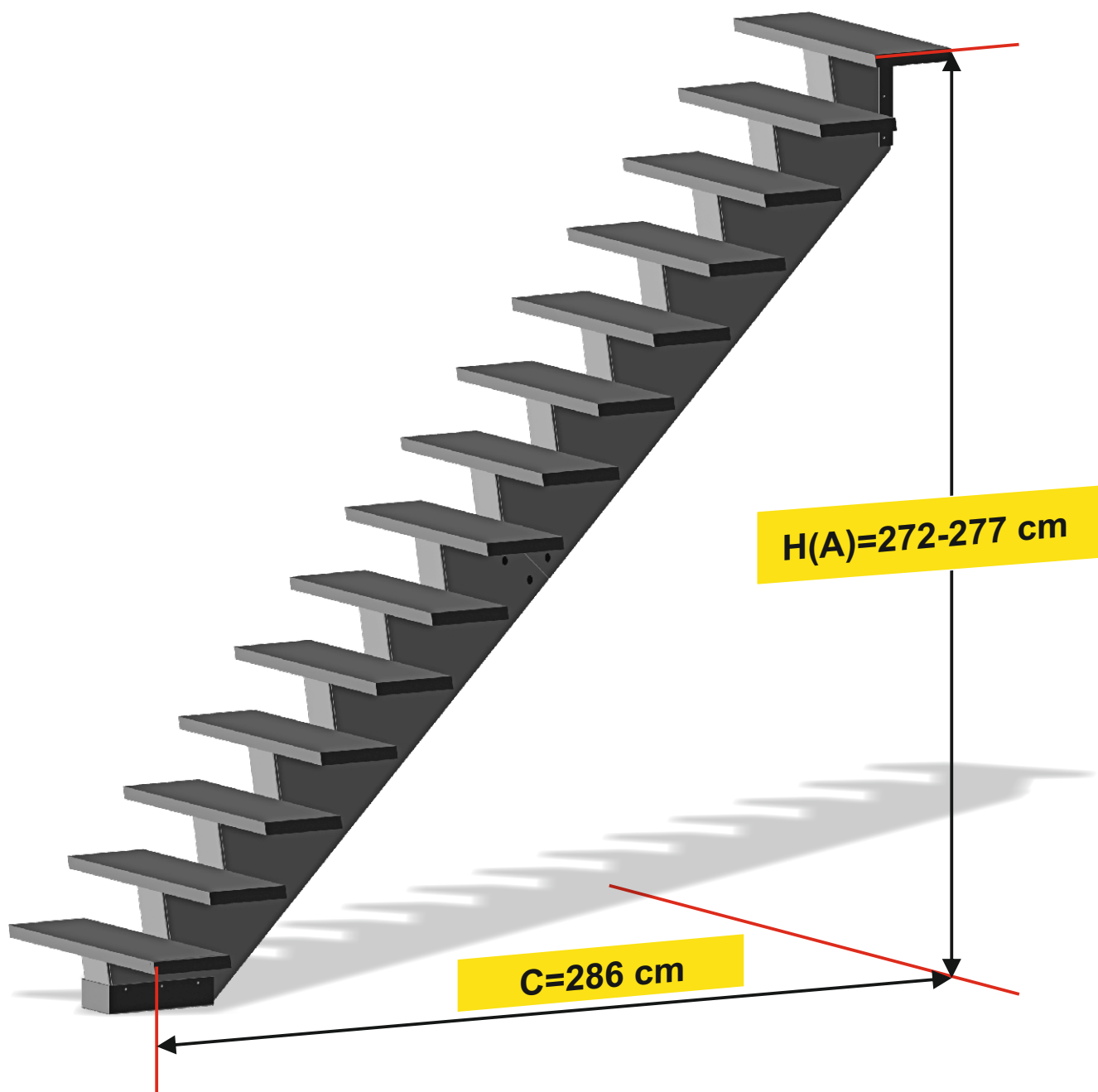





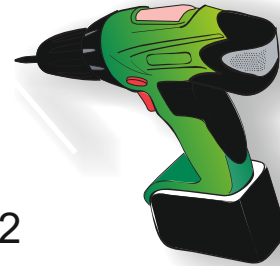
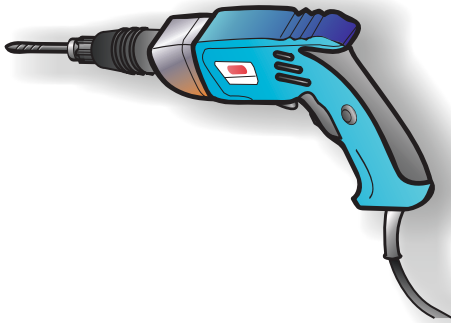
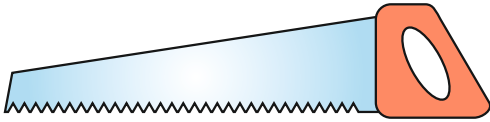
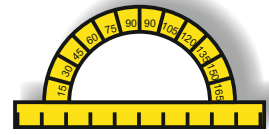
Video 

 [www.leroymerlin.fr](http://www.leroymerlin.fr)



# GOMERA ESCALIER DROIT H 2770 mm

<p>01 80033000</p>  <p>1946x390x150mm =1</p>	<p>02 80033001</p>  <p>1910x390x150mm =1</p>	<p>03 80032000</p>  <p>275x850x40mm =13</p>	<p>04 80032001</p>  <p>280x850x40mm =1</p>
<p>05 80032002</p>  <p>700x80x85mm =14</p>	<p>06 80031000</p>  <p>Φ5x25mm =89</p>	<p>07 80031001</p>  <p>M8x160mm =4</p>	<p>08 80031002</p>  <p>35x11x18mm =8</p>
<p>09 80031003</p>  <p>Φ40xΦ37x19 mm =8</p>	<p>10 80031004</p>  <p>M8 =8</p>	<p>11 80032021</p>  <p>50mm=&gt;5x 16 40mm=&gt;4x 16 30mm=&gt;3x 16 20mm=&gt;2x 16</p> <p>150x10x20-50mm =4</p>	<p>12 80031005</p>  <p>M12xΦ16x80mm =8</p>
<p>13 80031006</p>  <p>Φ7x40mm =12</p>	<p>14 80031007</p>  <p>Φ20x5 mm =56+2</p>	<p>15 80031008</p>  <p>Φ50x5mm =8+1</p>	<p>16 80032018</p>  <p>150x411x10mm =5</p>
<p>17 80032014</p>  <p>440x161x88mm =1</p>	<p>18 80032013</p>  <p>310x161x48 =1</p>	<p>19 80031009</p>  <p>Φ6,3x60mm =28+1</p>	<p>20 80031010</p>  <p>hex 4mm =1</p>
<p>21 80031011</p>  <p>20 ml =1</p>		<p>23 80031050</p>  <p>M6x50mm =28+1</p>	<p>24 80031051</p>  <p>Φ16x15 mm =28</p>



Pz2

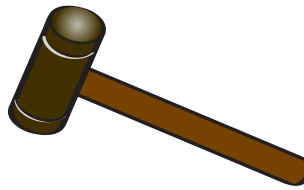
Ph2, Ph3



13 mm



19 mm



Pz2



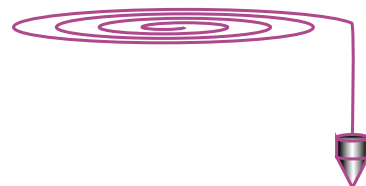
Ph2

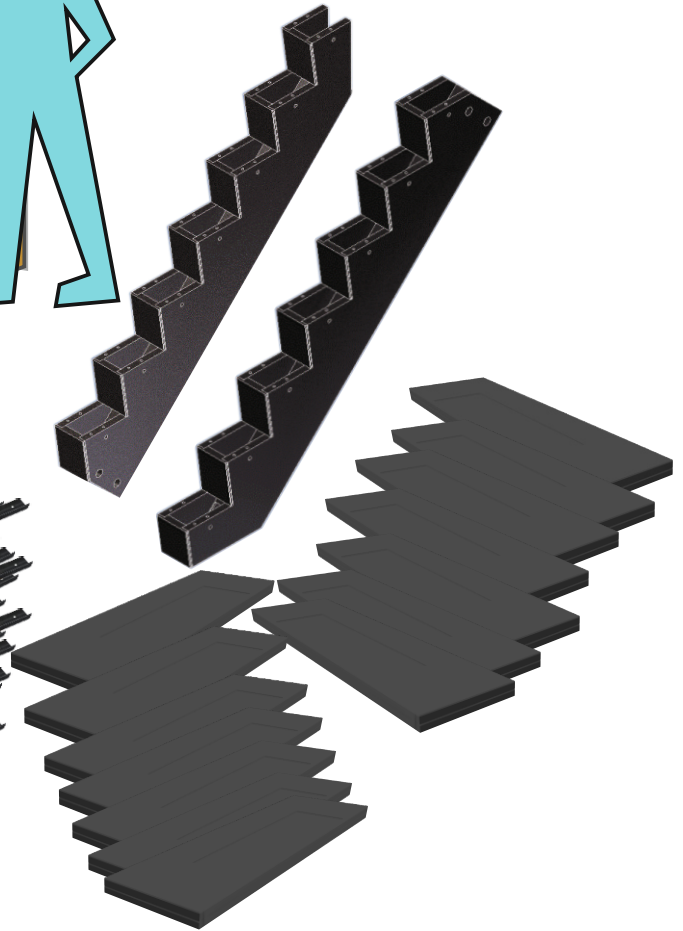
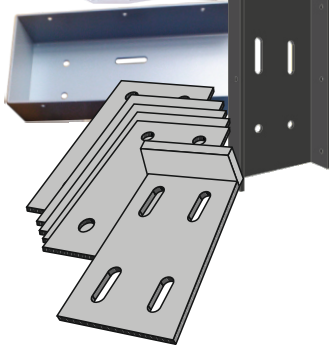
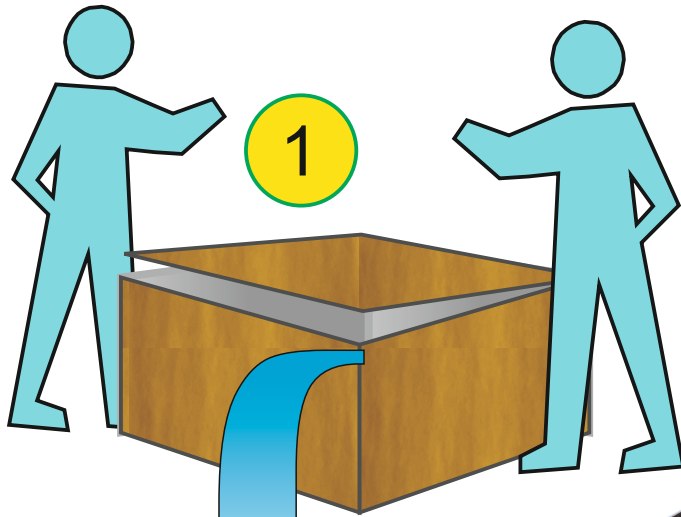


$\Phi 12 \times 120\text{mm}$

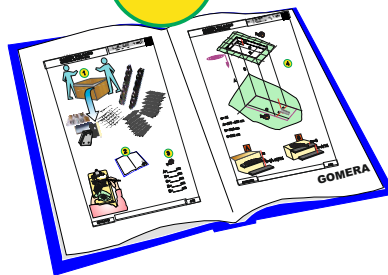


$\Phi 5 \times 70\text{mm}$

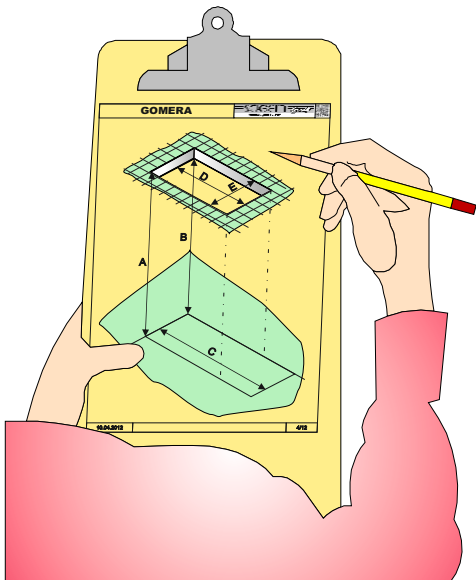




2



3



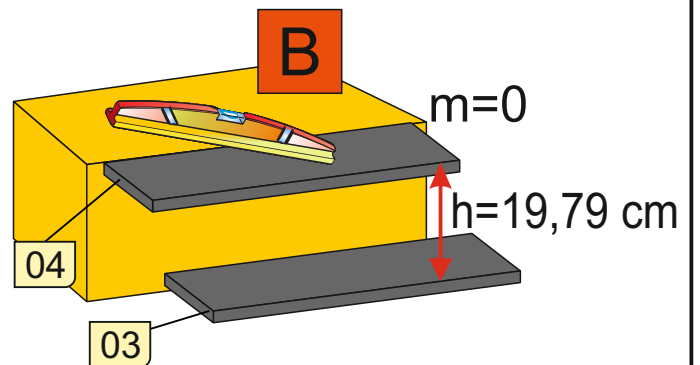
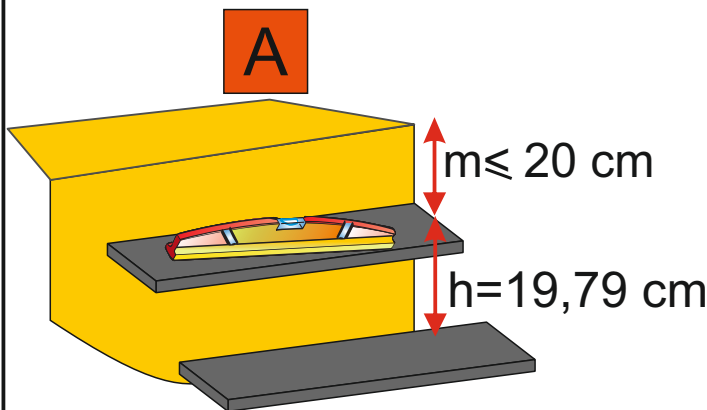
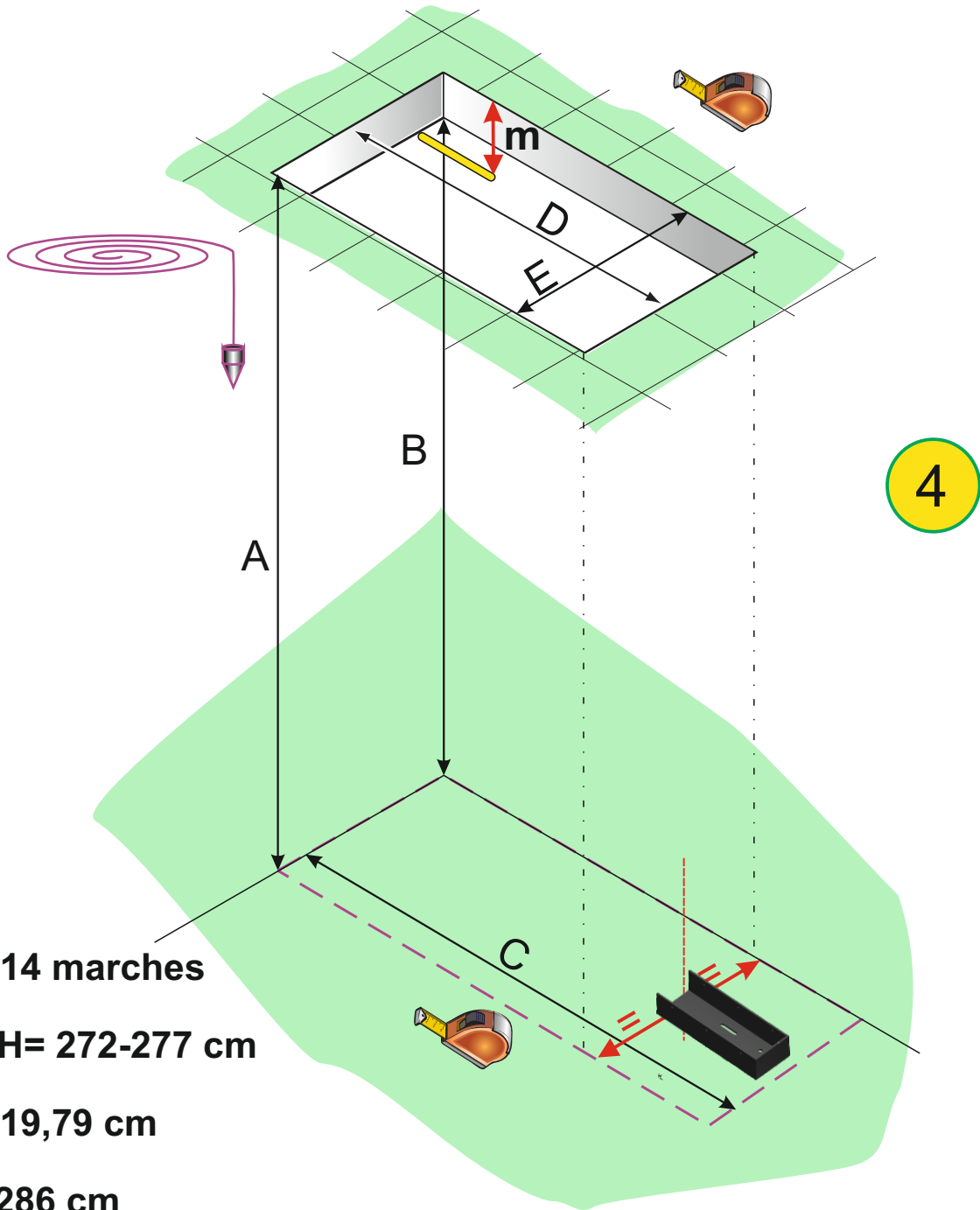
A= \_\_\_\_\_ cm

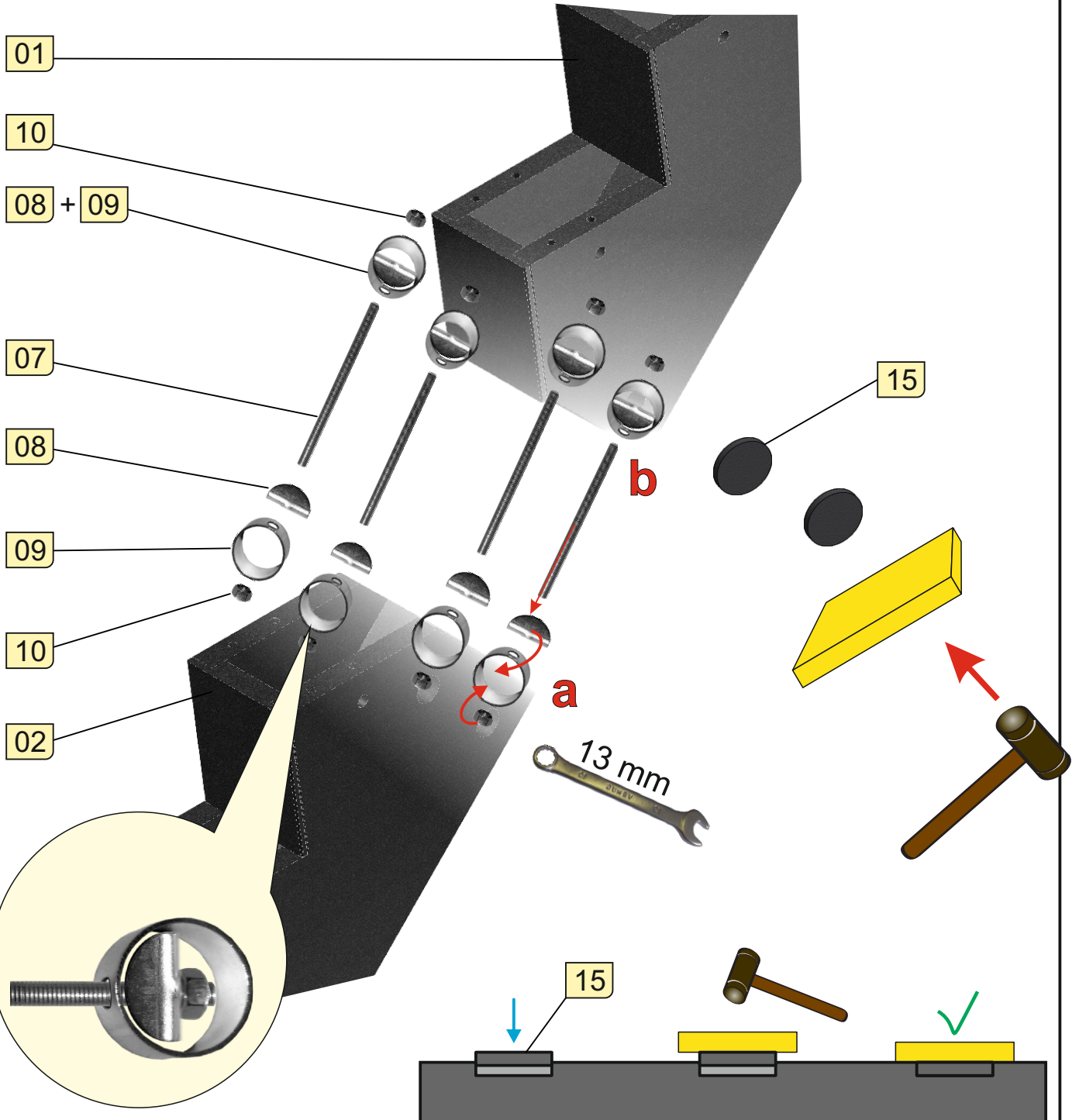
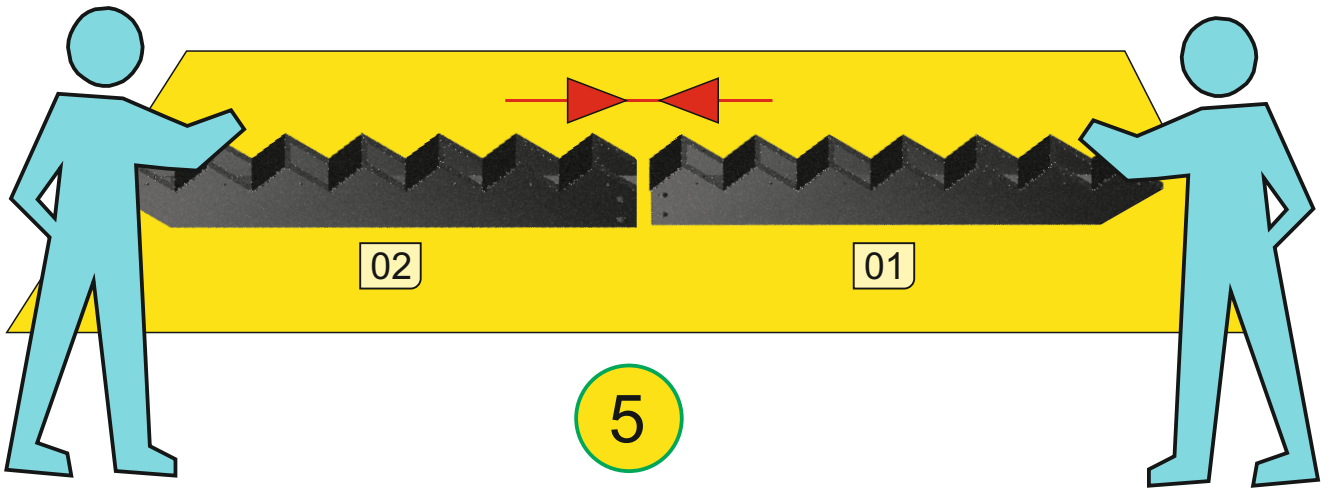
B= \_\_\_\_\_ cm

C= \_\_\_\_\_ cm

D= \_\_\_\_\_ cm

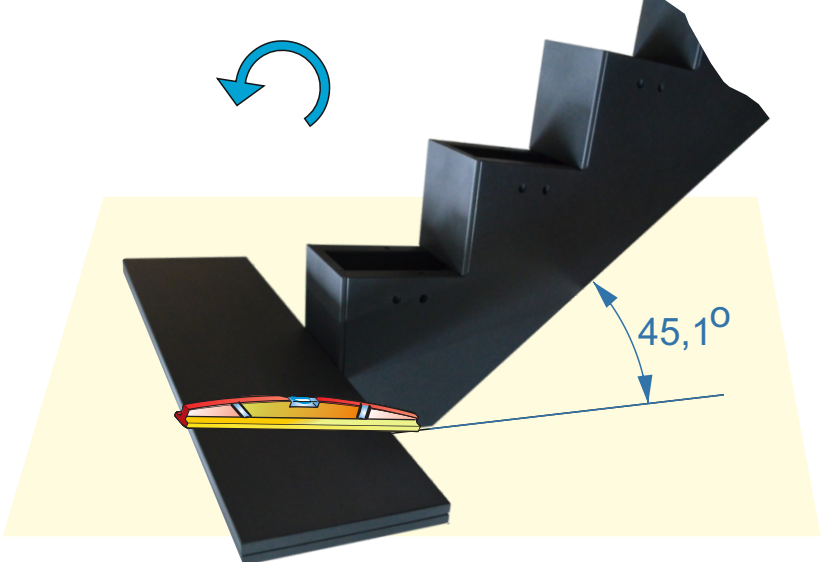
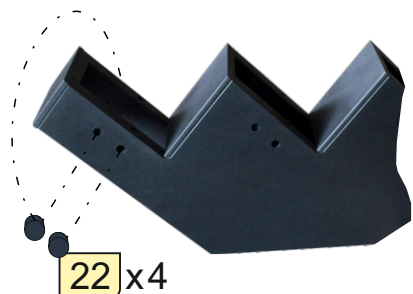
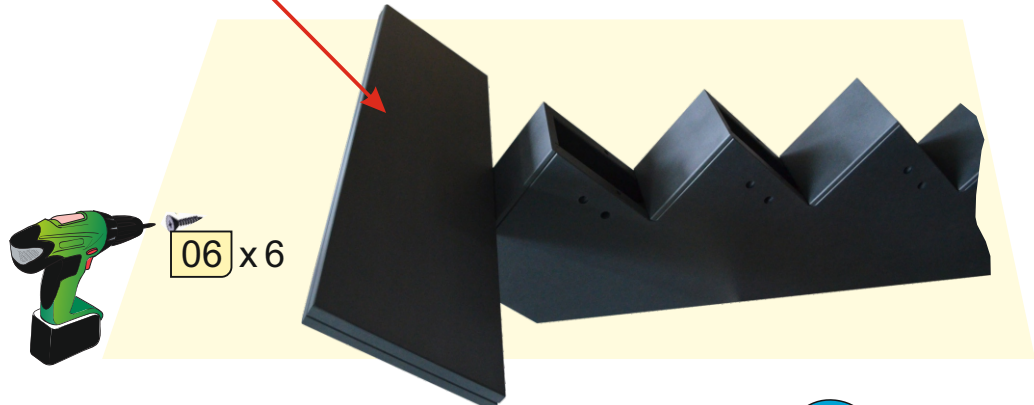
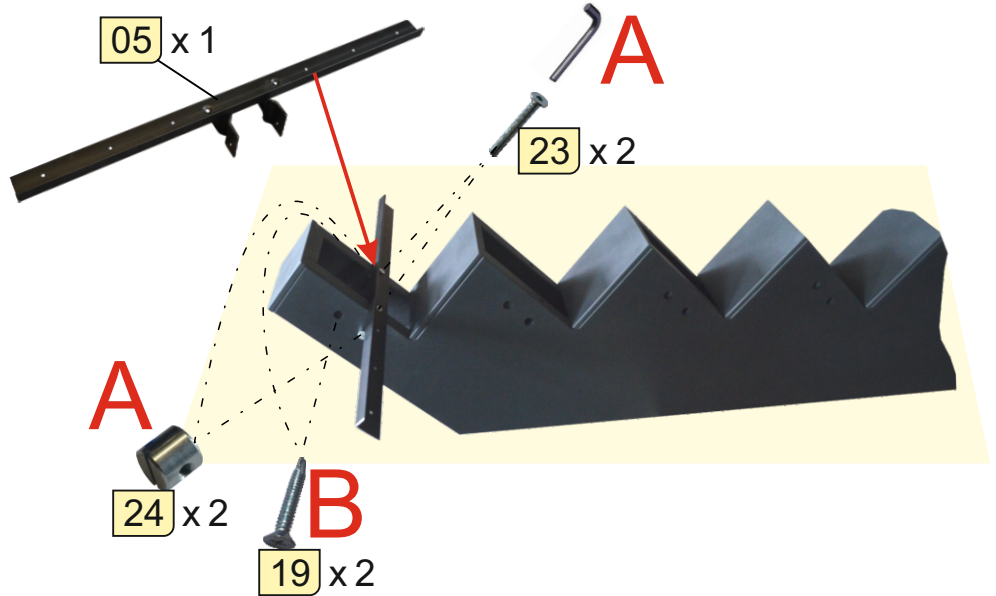
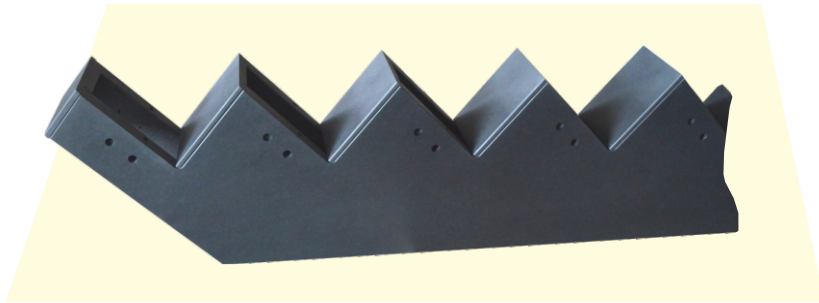
E= \_\_\_\_\_ cm





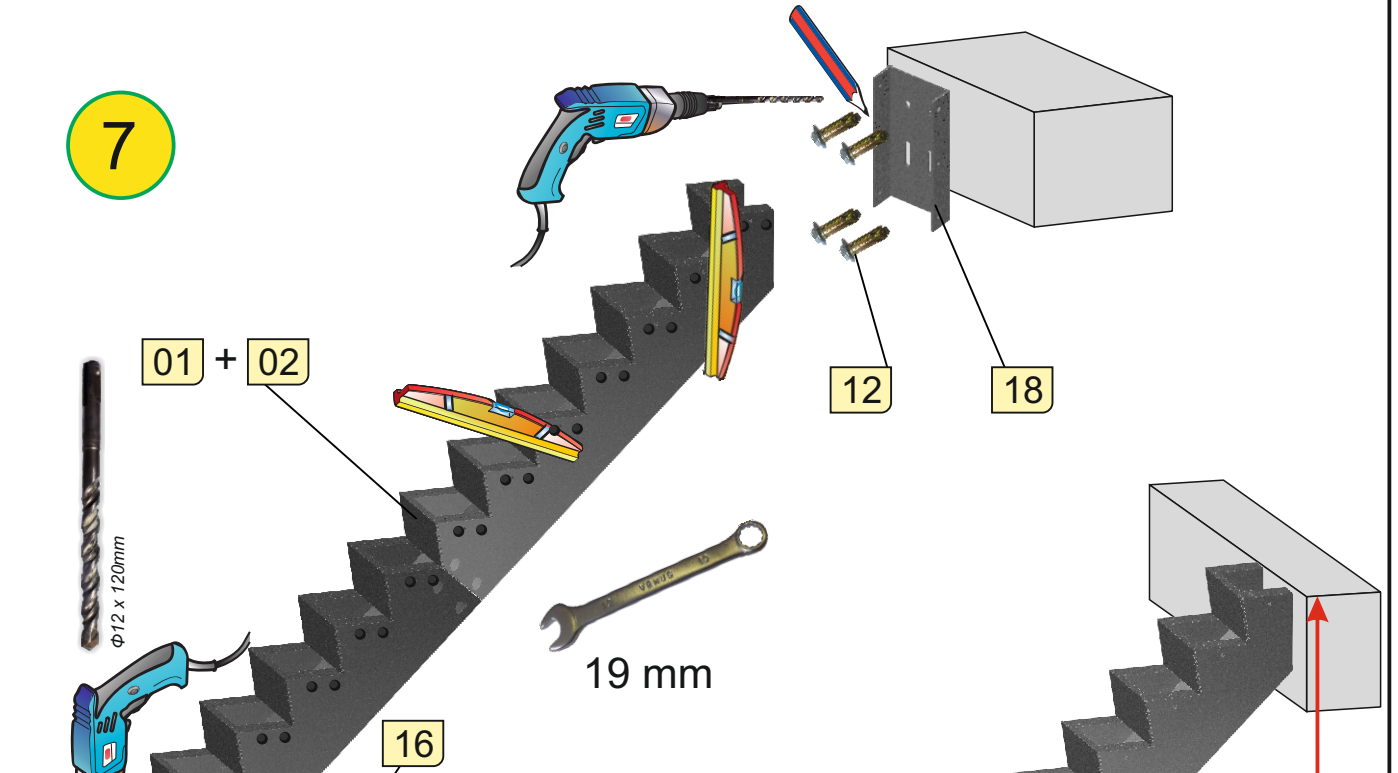


6

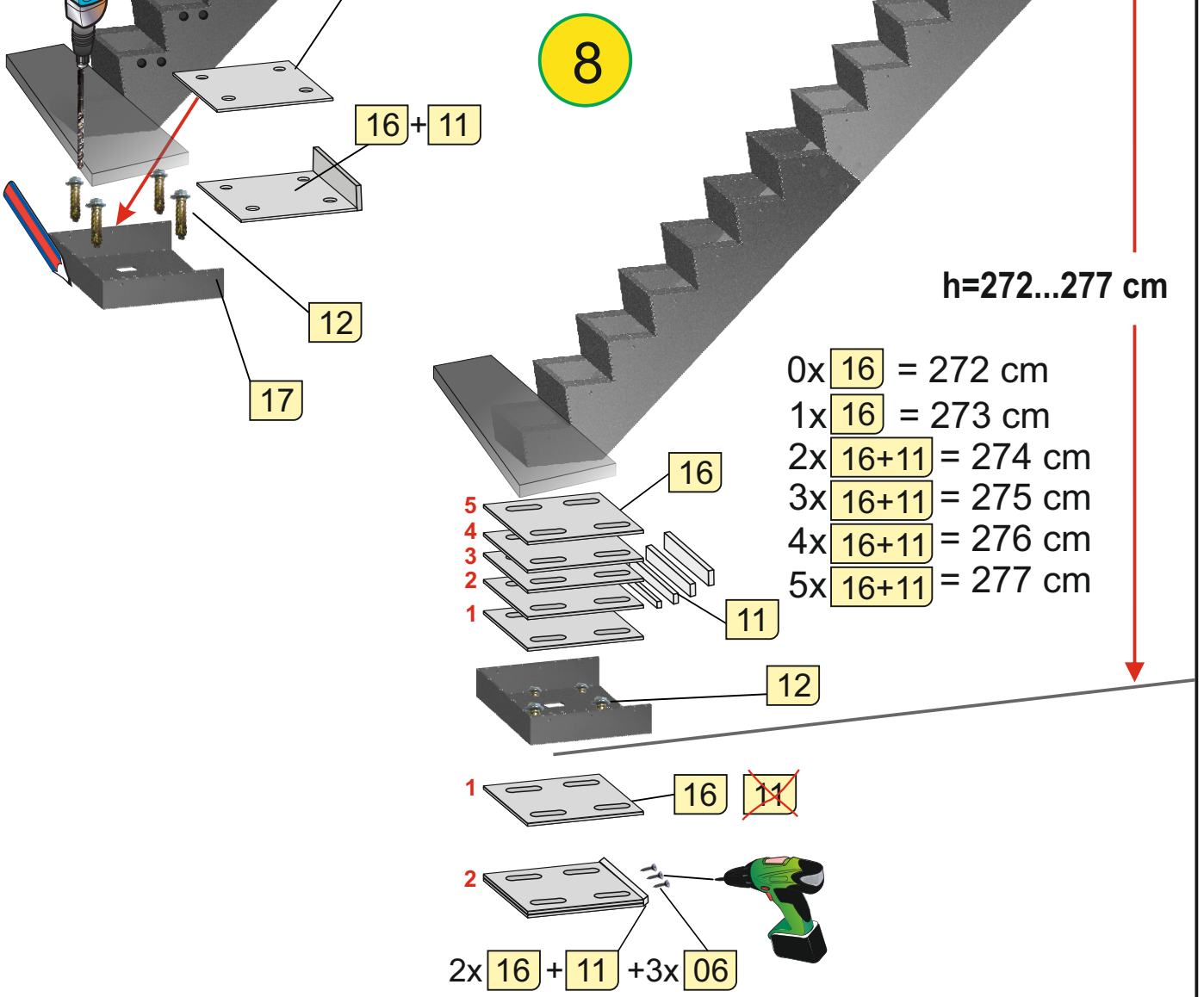


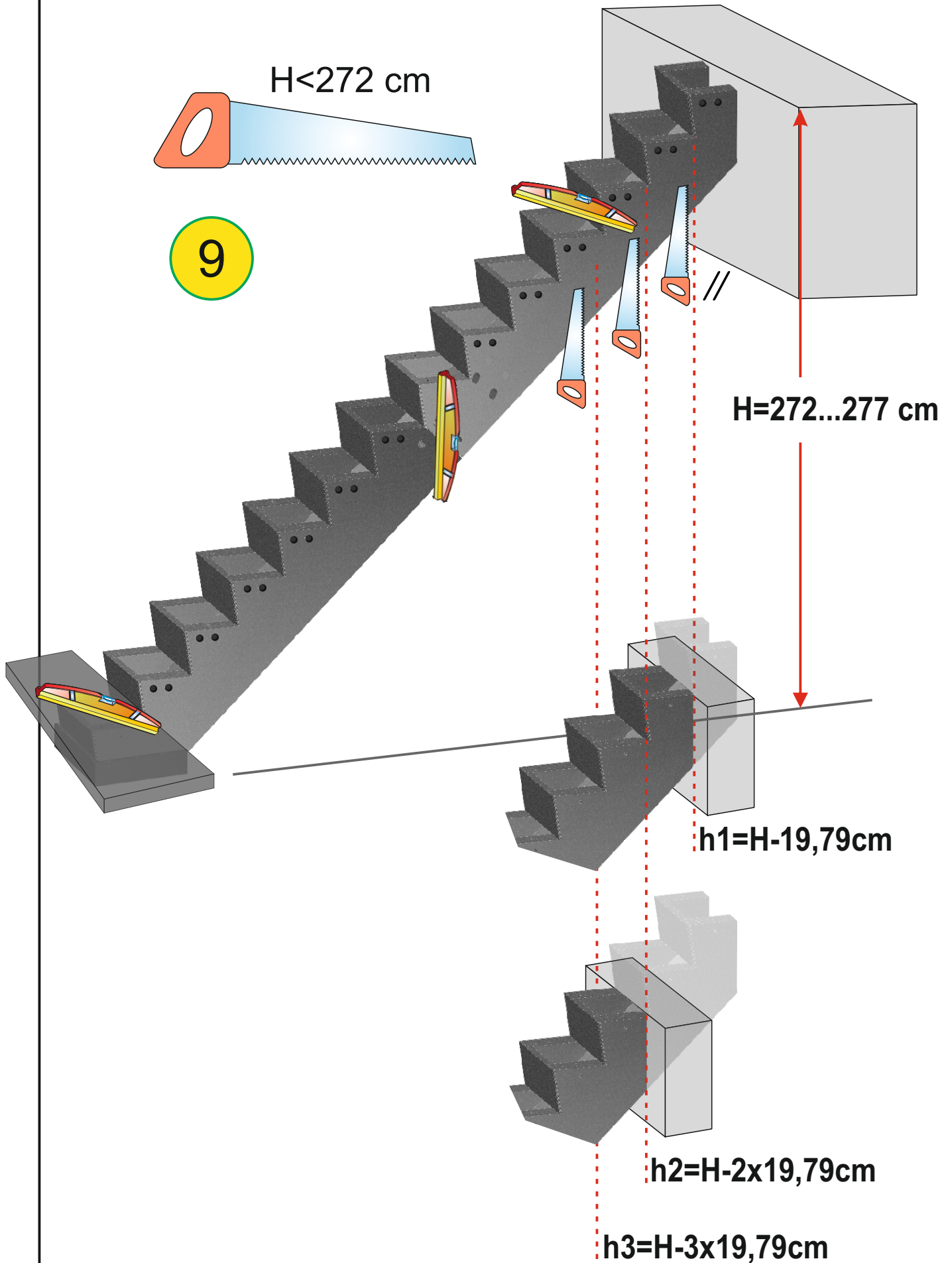


7



8









11

# kit LED



