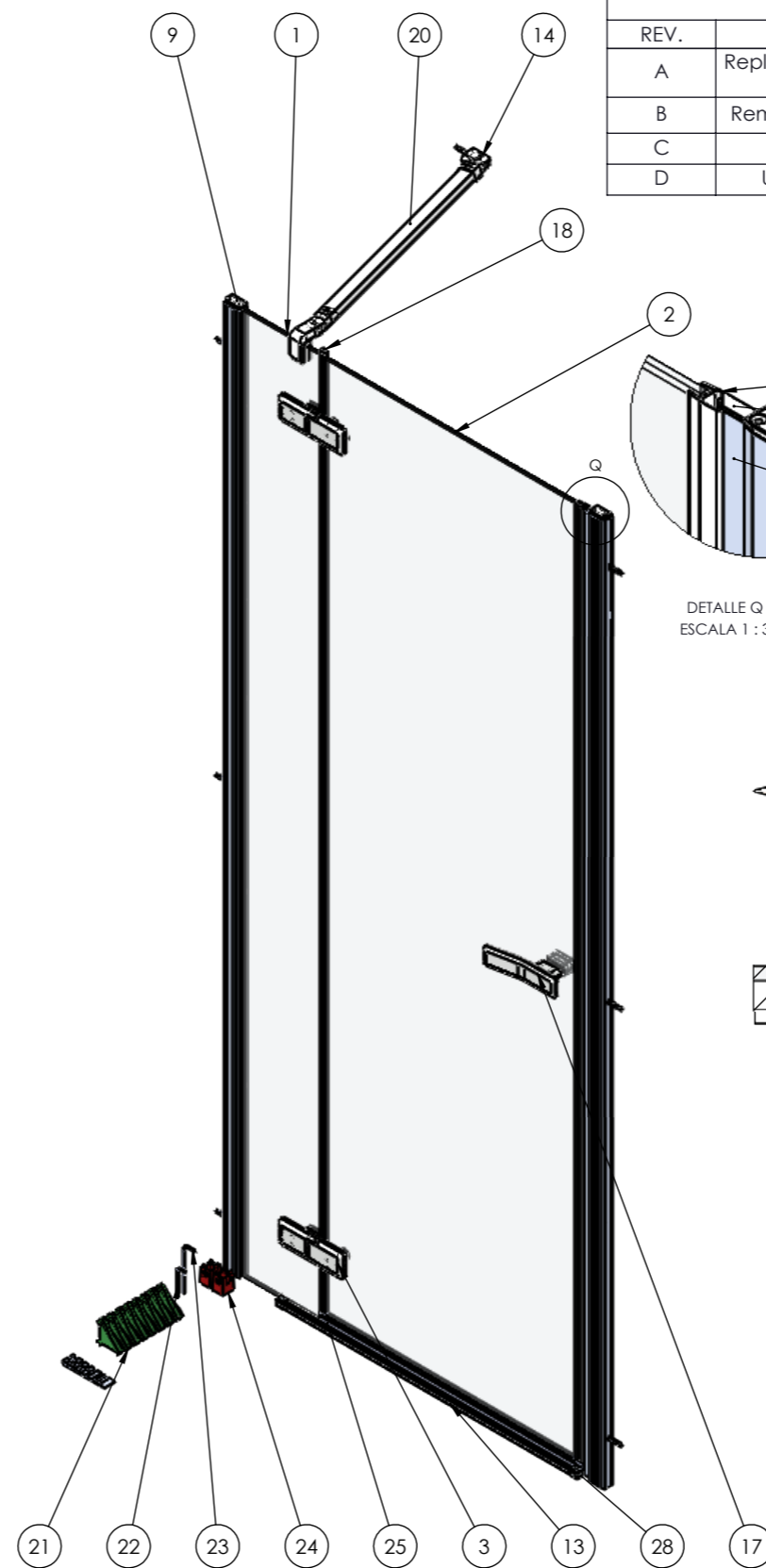
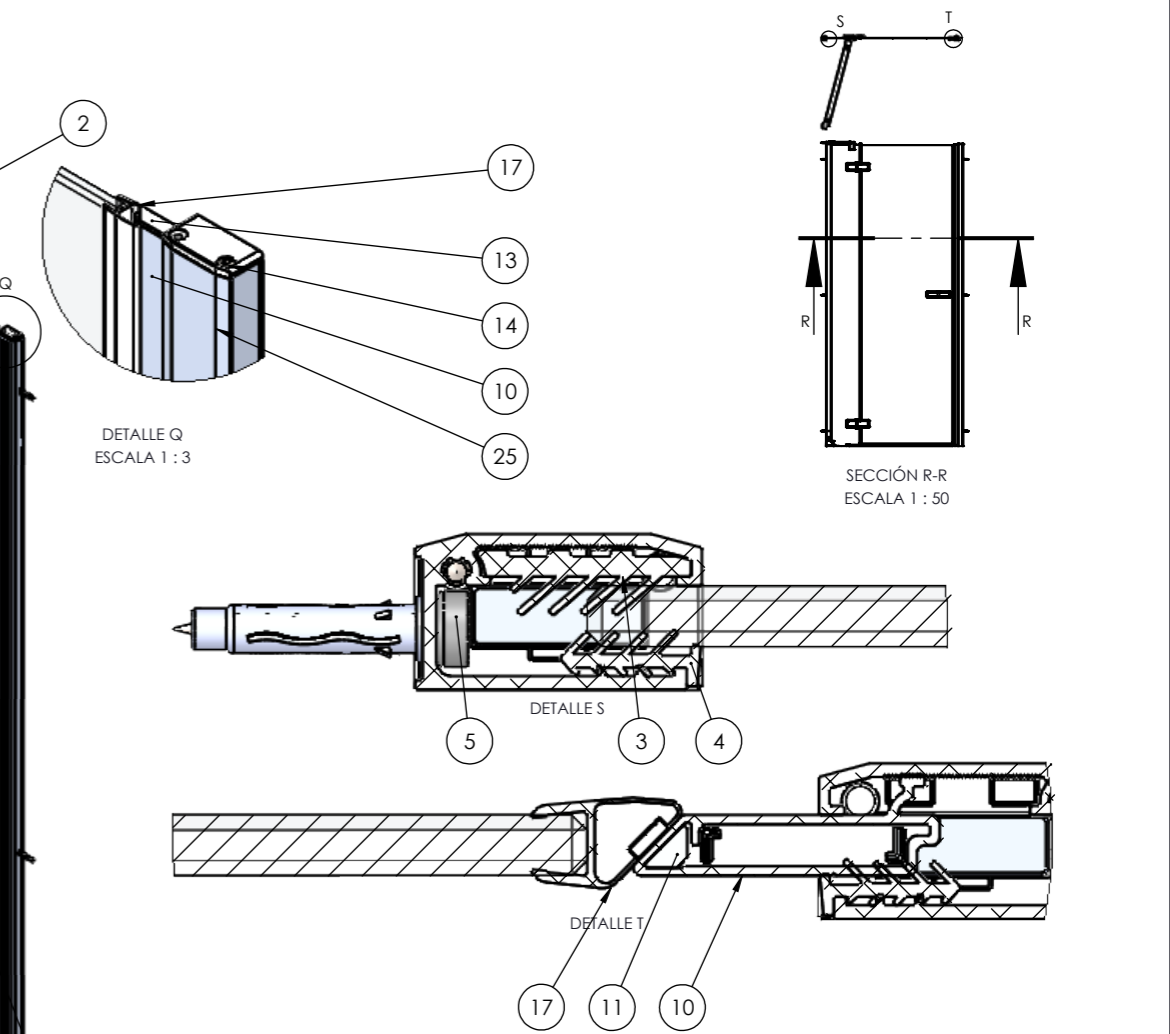


PIECE	Referencia	Descripción	FINISH	QTTY.
1	0308XXX10XXXXx1994	CRIS. 8 MM TRANS FIJO PIVOT F0800	TRANS / RALLWAY	1
2	0308XXX00XXXXx1978	CRIS. 8 MM TRANS PUERTA PIVOT F0900	TRANS / RALLWAY	1
3	04522400	P CONJ BISAGRA BRUTO(NEO)	CHROME / BLACK	2
4	01520700	PV ESP BRUTO (NEO)	CHROME / BLACK	2
5	065201	G INTERIOR PV WALK-IN (NEO)	TRANS	1
6	065202	G ACRISTALAR (NEO)	TRANS	2
7	04520713	P PROTECTOR VIDRIO NEGRO (NEO)	BLACK	6
8	050412	T DIN 7983 3,9X38	INOX	6
9	04520400	P CONJ TAPA PV BRUTO (NEO)	CHROME / BLACK	2
10	050130	TACO DEL 6 DIN TU	GREY	6
11	01520500	PV CIERRE CROMO 2M (NEO)	CHROME / BLACK	1
12	065208	G IMAN PERFIL (NEO)	NATURAL	1
13	01520600	PH BASE PIV900(NEO)	BLACK CHROME	1
14	04520100	P CONJ BARRA ESTAB. VID-PRD BRUTO (NEO)	CHROME / BLACK	1
15	04522600	P CONJ TAPA CIERRE BRUTO (NEO)	CHROME / BLACK	1
16	050303	T DIN 7982 3.5X22	INOX	2
17	04522800	P MANETA (NEO)	CHROME / BLACK	1
18	065205	G BURBUJA (NEO)	TRANSLUCENT	1
19	065207	G CIERRE IMAN PUERTA (NEO)	TRANSLUCENT	1
20	0152031000	0152035000 PH BARRA ESTABILIZADORA 500MM BRUTO (NEO)	CHROME / BLACK	1
21	060567	E ESCUADRA VIDRIO 8MM (VERDE)	GREEN	8
22	050208	T ALLEN DEL 2.5	GALVANIZED	1
23	050209	T ALLEN DE 4	GALVANIZED	1
24	04523700	P CALZO 6,8 MM	RED	2
25	06520003	G VIERTEAGUAS PIV 624		1
26	04522500	P UTIL ENGOMADO (NEO)	BLACK	1
27	04523900	P CONJ VERTICE PBASE PIVOT (NEO)	Chrome / Black	1


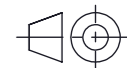


REVISION			
REV.	DESCRIPTION	DATE	APROVED
A	Replace pieces 04521800, 04521900 & 04522300 by set 04523100	11/06/2019	Juan Aznar
B	Remove 050168 part. Add pieces 050209 and 050208	05/08/2019	Juan Aznar
C	Wedge replacement	22/10/2019	Valeria Olivares
D	Updating of the assembly with base profile out	15/01/2020	Valeria Olivares



Product	Matrix Code	Product Length
PIVOT	0222-0225	0900

Product ref.	Description	Finish	Glass
25202060914	NEO206 - 1 ABATIBLE SOBRE FIJO 0900 CROMO TRANS	CHROME	TRANS
25212060914	NEO206 - 1 ABATIBLE SOBRE FIJO 0900 CROMO RALLWAY	CHROME	RALLWAY
25202060913	NEO206 - 1 ABATIBLE SOBRE FIJO 0900 NEGRO TRANS	BLACK	TRANS
25212060913	NEO206 - 1 ABATIBLE SOBRE FIJO 0900 NEGRO RALLWAY	BLACK	RALLWAY

D.L.M.	DRAWN BY:	NAME: Juan Aznar	DATE: 06/06/2019	SIGNATURE:	 <small>This drawing is the exclusive property of ADEO. Any reproduction in part or whole without the written permission of ADEO is prohibited.</small>
15/01/2020	CHECKED BY:	NAME:	DATE:	SIGNATURE:	
	APROVED BY:	NAME:	DATE:	SIGNATURE:	
DESCRIPTION:		NEO206 - 1 ABATIBLE SOBRE FIJO 0900		SYMMETRICAL:	
REFERENCE:		252X20609XX		SYMMETRICAL:	
TYPE OF SHEET: 2/6		MATERIAL:	RADIUS AGREEMENT: mm	WEIGHT: g	 SCALE: 1:12 DIMENSIONS IN MILLIMETERS
PIECE PROFILE SET		FAMILY: NEO	THICKNESS: mm	AREA: mm <sup>2</sup>	
		VOLUME: mm <sup>3</sup>	TOT PERIMETER: mm		