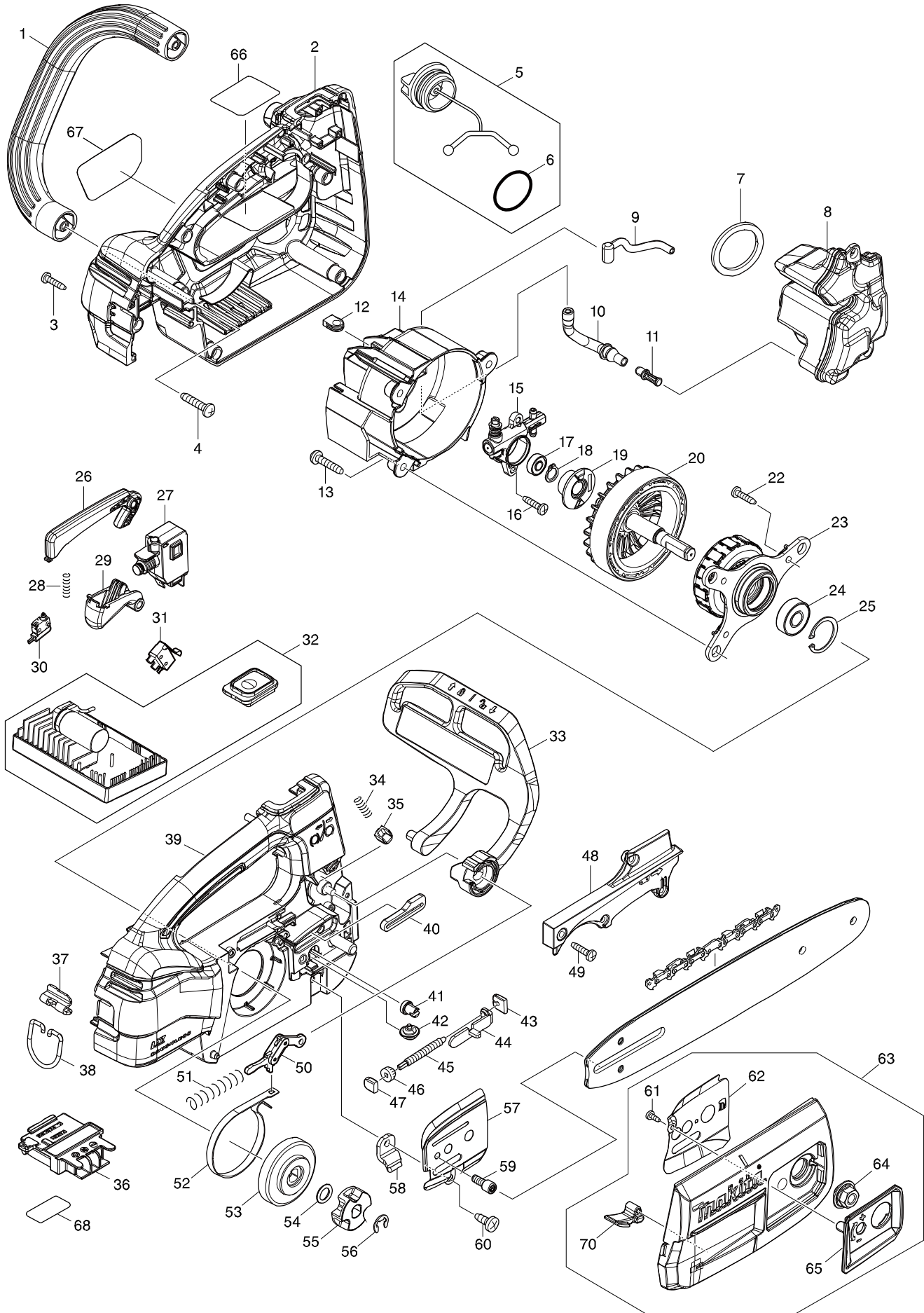


Numéro du modèle DUC254 250MM CORDLESS CHAIN SAW



| Position | Référence pièce | Description                   | Echar | QTE | N/O | Option 1 | Option 2 | COMMENTAIRE |
|----------|-----------------|-------------------------------|-------|-----|-----|----------|----------|-------------|
| 001      | 458490-5        | SIDE HANDLE                   |       | 1   |     |          |          |             |
| 002      | 183J27-6        | HOUSING SET                   |       | 1   |     |          |          |             |
| C10      | 263005-3        | CHEVILLE CAOUTCHOUC 6         |       | 2   | 65  |          | P2       |             |
| D10      |                 | INC. 39                       |       |     |     |          |          |             |
| 003      | 266326-2        | VIS 4x18                      |       | 8   | 65  |          | P2       |             |
| 004      | 266041-8        | VIS AUTOFORMEUSE EPAULEE 5X25 |       | 2   | 65  |          | P2       |             |
| 005      | 168508-1        | BOUCHON RESERVOIR CPL         |       | 1   |     |          | P4       |             |
| D10      |                 | INC. 6                        |       |     |     |          |          |             |
| 006      | 213355-6        | O-RING 25                     |       | 1   |     |          |          |             |
| 007      | 421959-2        | JOINT                         |       | 1   | 0   |          | P1       |             |
| 008      | 140A75-4        | OIL TANK COMPLETE             |       | 1   |     |          |          |             |
| 009      | 422271-3        | CONNECTOR A                   |       | 1   |     |          |          |             |
| 010      | 422272-1        | CONNECTOR B                   |       | 1   |     |          |          |             |
| 011      | 450437-5        | FILTRE                        |       | 1   | 55  |          | P14      |             |
| 012      | 424612-9        | BAGUE DE COMPRESSION          |       | 1   |     |          | P1       |             |
| 013      | 266041-8        | VIS AUTOFORMEUSE EPAULEE 5X25 |       | 3   | 65  |          | P2       |             |
| 014      | 458489-0        | MOTOR HOUSING                 |       | 1   |     |          |          |             |
| 015      | 142857-4        | POMPE HUILE CPL.              |       | 1   |     |          |          |             |
| 016      | 266326-2        | VIS 4x18                      |       | 2   | 65  |          | P2       |             |
| 017      | 210026-6        | ROULEMENT A BILLES 696ZZ      |       | 1   | 2   |          | P10      |             |
| 018      | 961006-2        | CIRCLIP MOD S EXT 10          |       | 1   | 65  |          | P1       |             |
| 019      | 221428-1        | PIGNON                        |       | 1   |     |          |          |             |
| 020      | 619518-6        | ROTOR                         |       | 1   |     |          |          |             |
| 022      | 266326-2        | VIS 4x18                      |       | 3   | 65  |          | P2       |             |
| 023      | 629378-8        | STATOR COMPLETE               |       | 1   |     |          |          |             |
| 024      | 210059-1        | ROULEMENT A BILLES 6000RD     |       | 1   | 1   |          | P20      |             |
| 025      | 962105-3        | CIRCLIP MOD R INT 26          |       | 1   | 1   |          | P1       |             |
| 026      | 458497-1        | CATCH LEVER                   |       | 1   |     |          |          |             |
| 027      | 651365-9        | SWITCH C3JW-6BM-P             |       | 1   |     |          |          |             |
| 028      | 233476-8        | RESSORT DE COMPRESSION 4      |       | 1   | 0   |          | P1       |             |
| 029      | 458495-5        | SWITCH LEVER                  |       | 1   |     |          |          |             |
| 030      | 632L49-0        | SWITCH UNIT                   |       | 1   |     |          |          |             |
| 031      | 632L48-2        | SWITCH UNIT                   |       | 1   |     |          |          |             |
| 032      | 140A76-2        | CONTROLLER COMPLETE           |       | 1   |     |          |          |             |
| C10      | 810D46-0        | SWITCH LABEL                  |       | 1   |     |          |          |             |
| 033      | 140A72-0        | FRONT HAND GUARD COMPLETE     |       | 1   |     |          |          |             |
| C10      | 816U31-3        | CAUTION LABEL                 |       | 1   |     |          |          |             |
| 034      | 232453-7        | COMPRESSION SPRING 3          |       | 1   |     |          |          |             |
| 035      | 310879-4        | HAND GUARD GUIDE              |       | 1   |     |          |          |             |
| 036      | 643874-2        | TERMINAL                      |       | 1   |     |          | P5       |             |
| 037      | 347377-5        | HOOK SUPPORT                  |       | 1   |     |          |          |             |
| 038      | 281222-3        | HOOK                          |       | 1   |     |          |          |             |
| 039      | 183J27-6        | HOUSING SET                   |       | 1   |     |          |          |             |
| C10      | 263005-3        | CHEVILLE CAOUTCHOUC 6         |       | 2   | 65  |          | P2       |             |
| D10      |                 | INC. 2                        |       |     |     |          |          |             |
| 040      | 422270-5        | GROMET                        |       | 1   |     |          |          |             |
| 041      | 227620-7        | DRIVE GEAR                    |       | 1   |     |          |          |             |
| 042      | 227634-6        | STRAIGHT BEVEL GEAR 14        |       | 1   |     |          |          |             |

