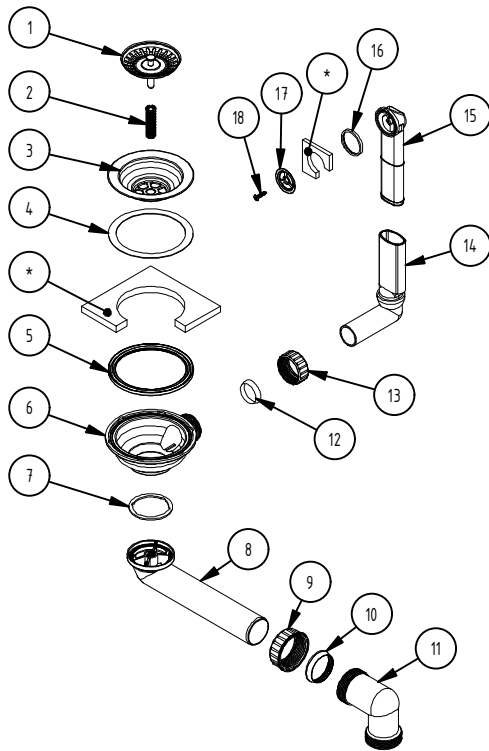
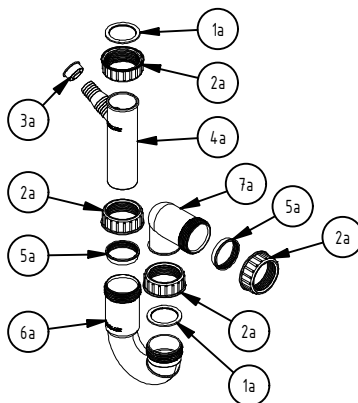


NUMBER	DESCRIPTION-EN	Q.TY
1b	clamp	4
*	sink	



NUMBER	DESCRIPTION-EN	Q.TY
1	basket plug	1
2	M12 fixing bolt	1
3	waste strainer	1
4	gasket between the sink and the waste strainer	1
5	waste body gasket	1
6	waste body with overflow outlet	1
7	gasket between elbow pipe and waste body	1
8	elbow pipe	1
9	G1-1/2" nut	1
10	conical gasket	1
11	G1-1/2" angle	1
12	small conical gasket	1
13	G1-1/8" nut	1
14	overflow pipe	1
15	overflow head	1
16	gasket for overflow	1
17	overflow grid	1
18	screw for overflow	1
*	sink	



NUMBER	DESCRIPTION-EN	Q.TY
1a	flat gasket	2
2a	G1-1/2" nut	4
3a	cap for dishwasher connection	1
4a	dishwasher connection	1
5a	conical gasket	2
6a	U-trap	1
7a	G1-1/2" angle	1