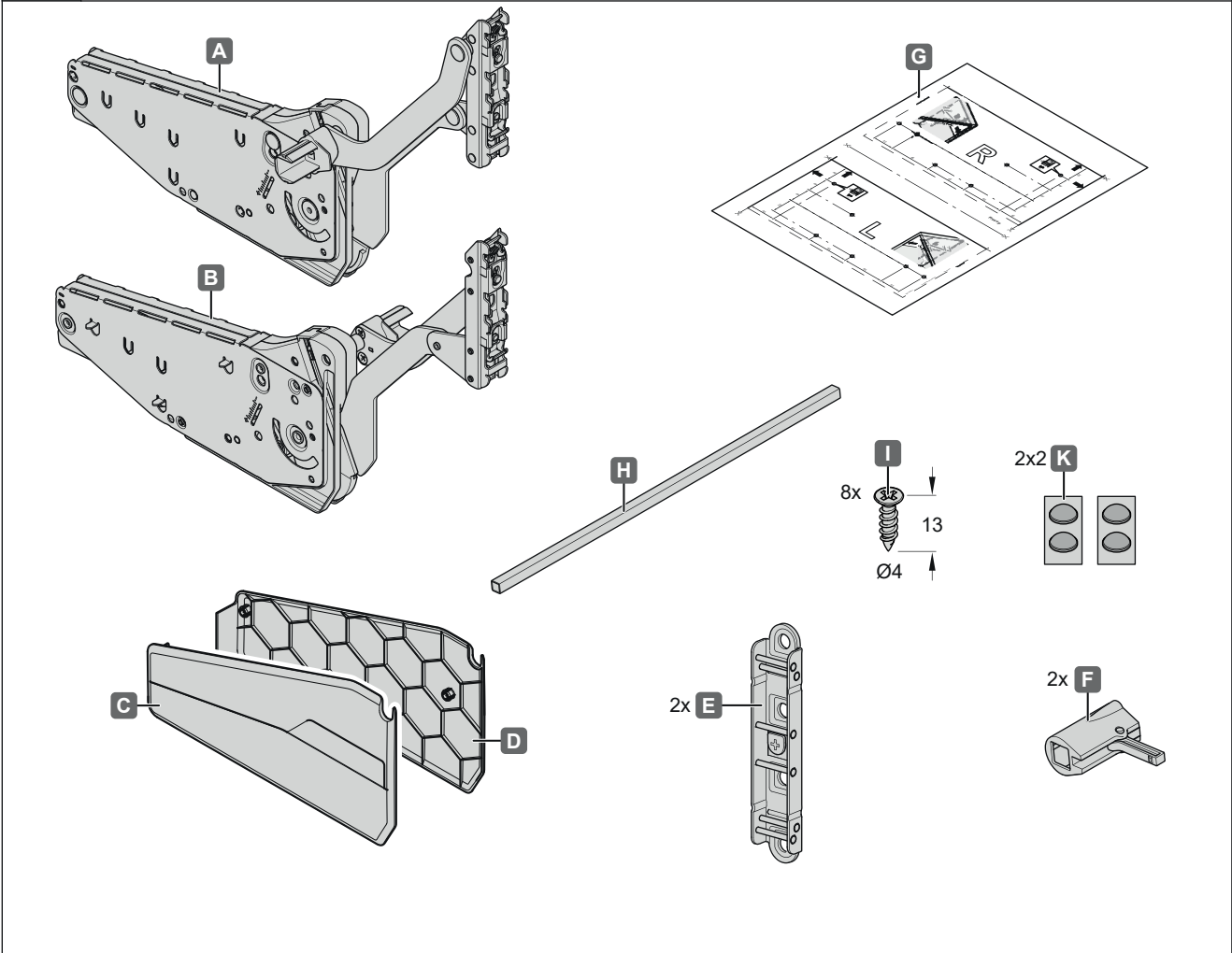
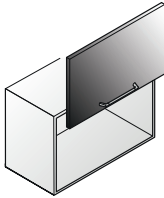




FREEslide

by Kesseböhmer



<p>Q1us</p>	<p>384, 448, 480</p>	<p>2,0 - 3,8</p>	<p>600</p>
<p>Q2us</p>		<p>3,4 - 6,7</p>	<p>600, 900</p>

2019/04

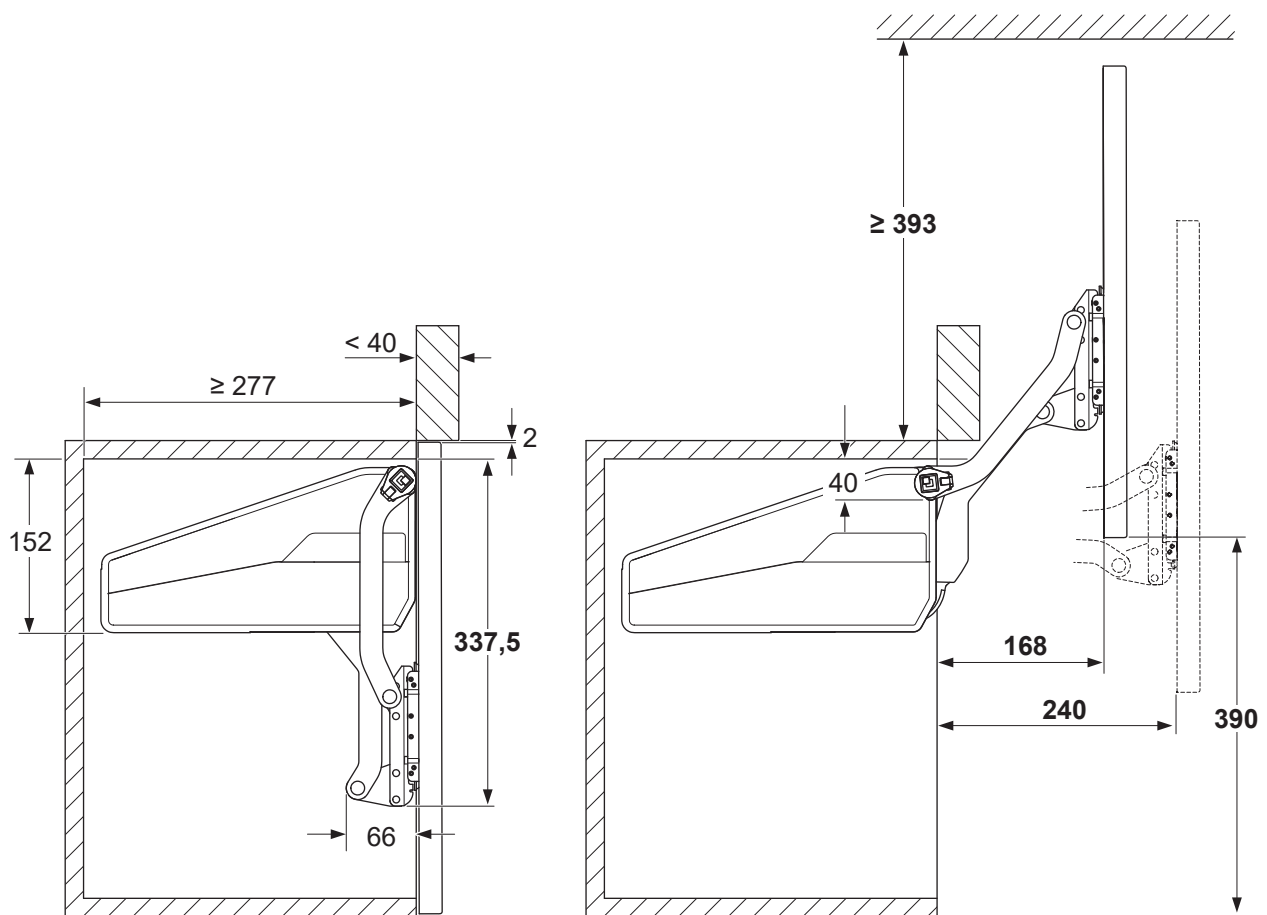
FREEslide

by Kesseböhmer

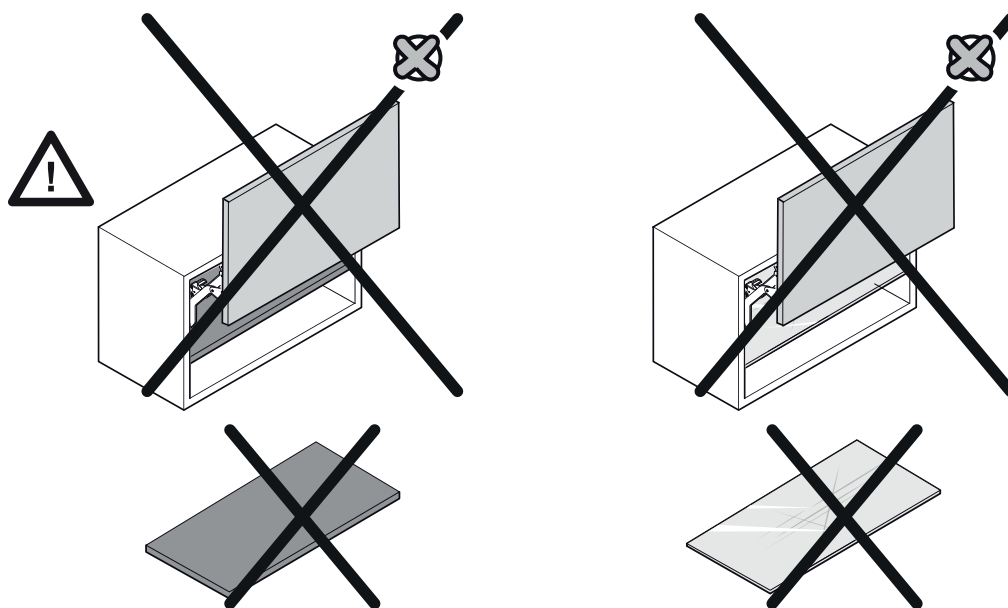
KESSEBÖHMER

i

mm



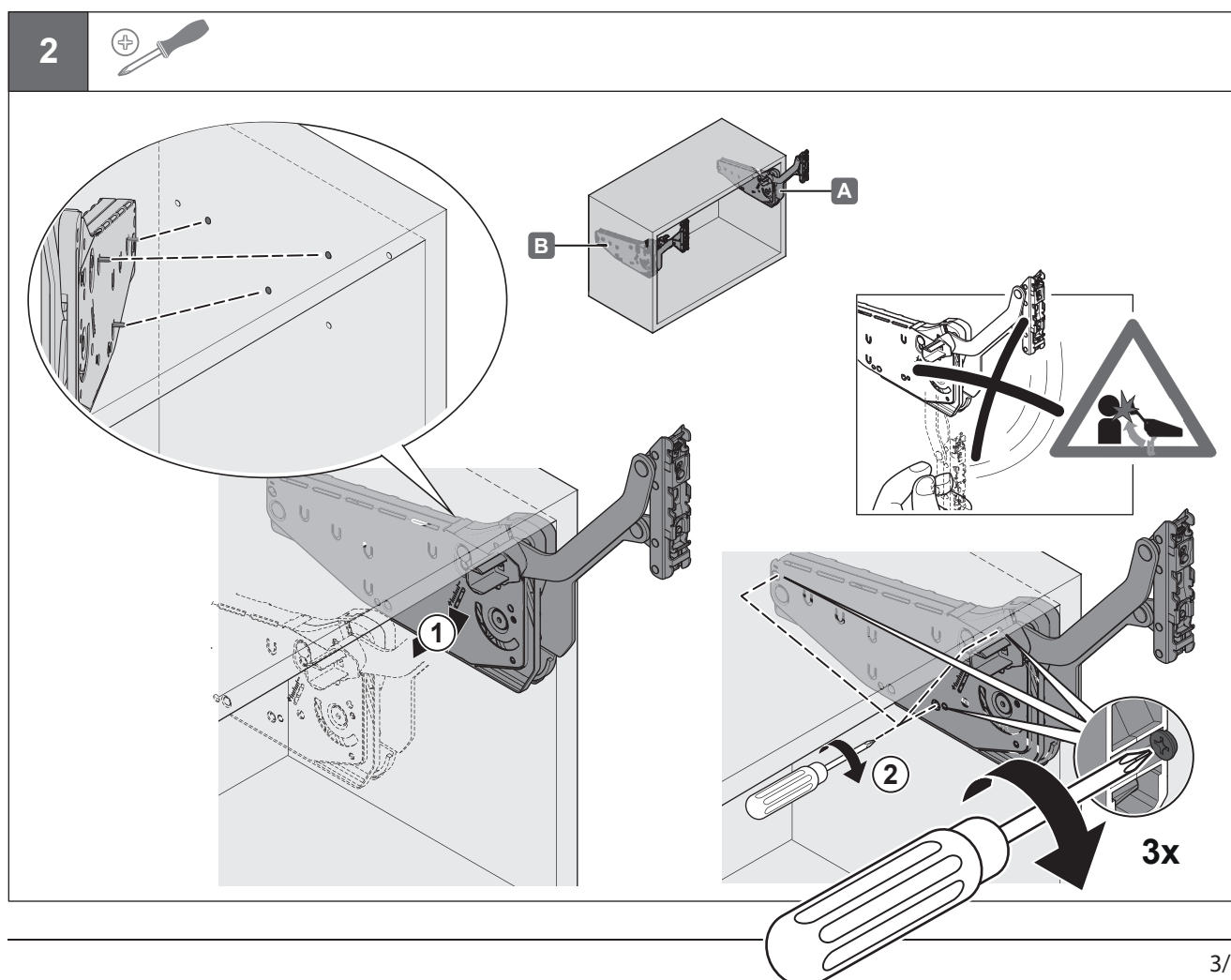
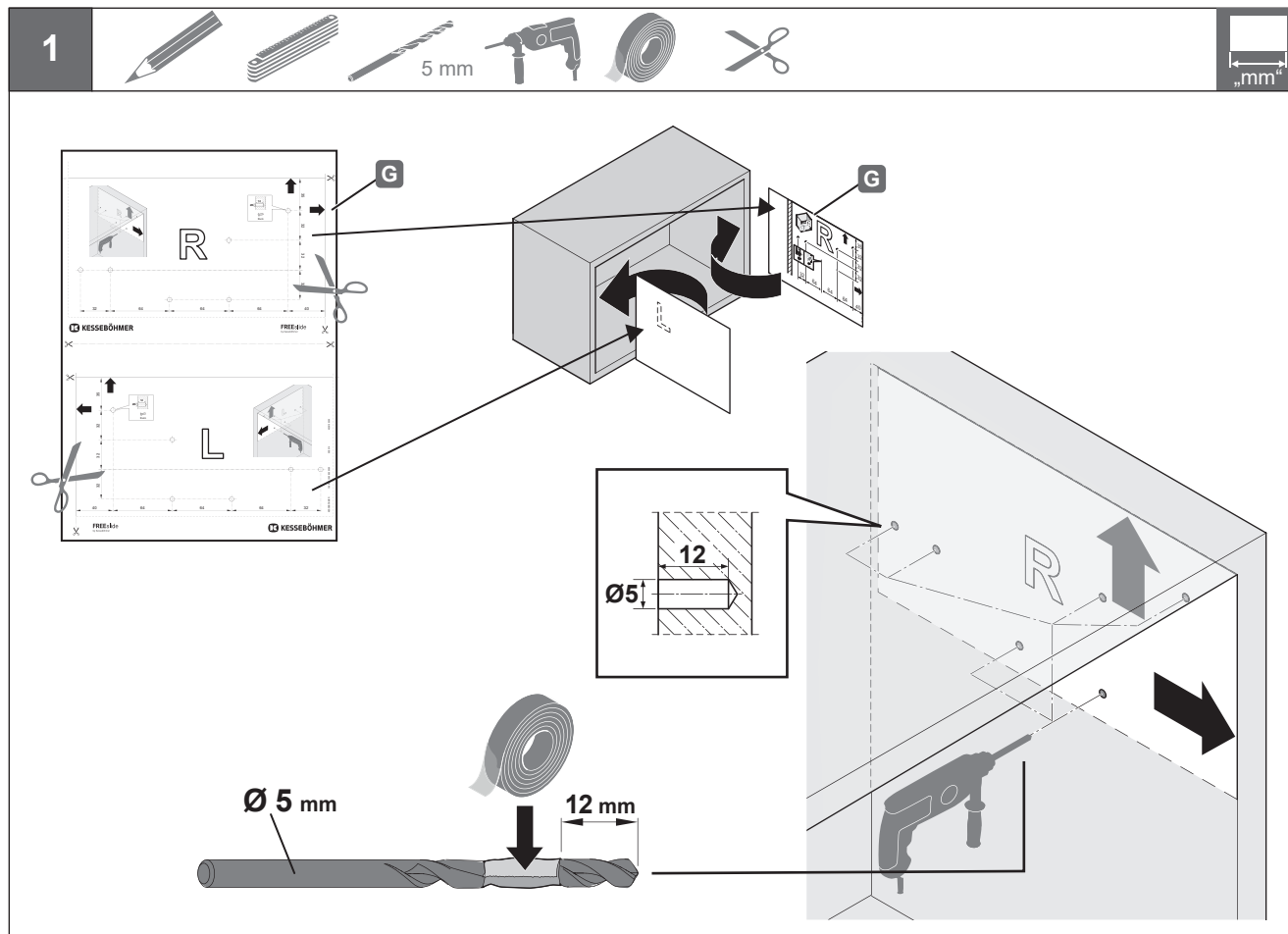
i



FREEslide

by Kesseböhmer

KESSEBÖHMER

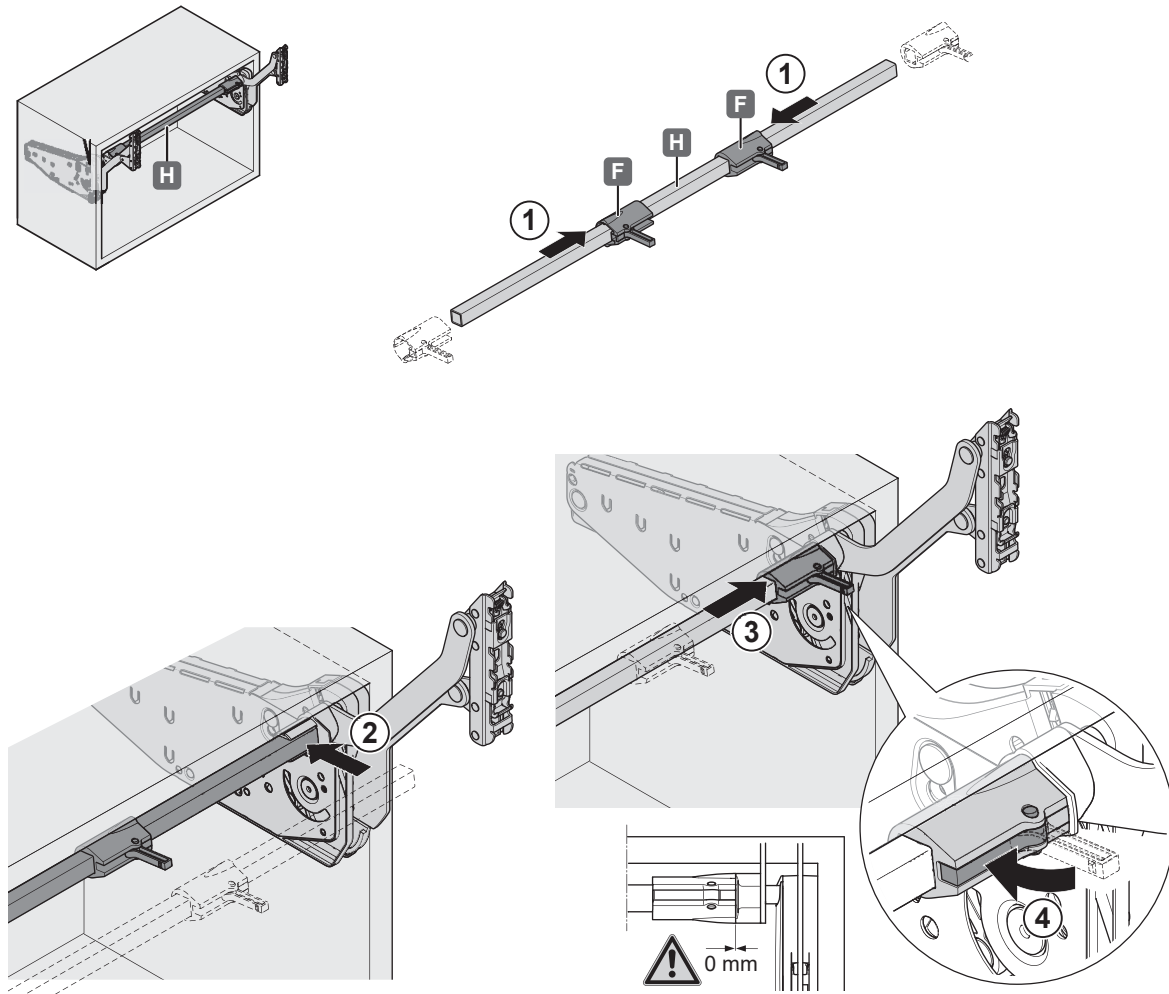


FREEslide

by Kesseböhmer



3

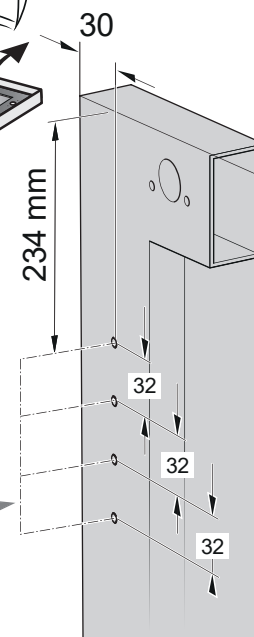
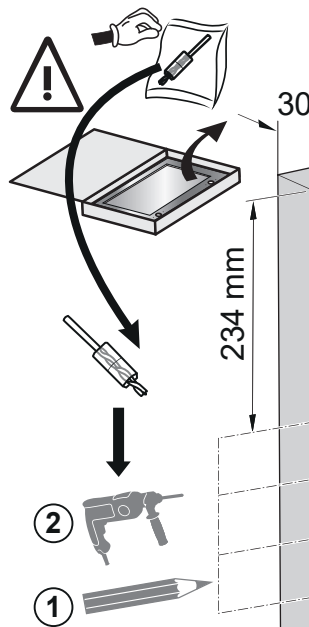
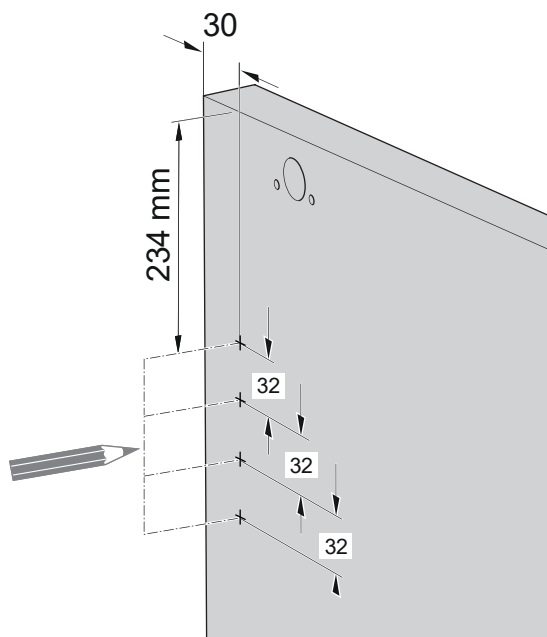
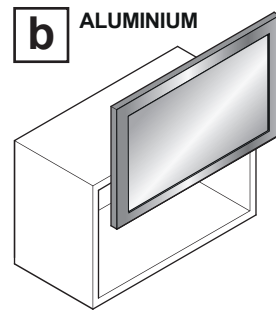
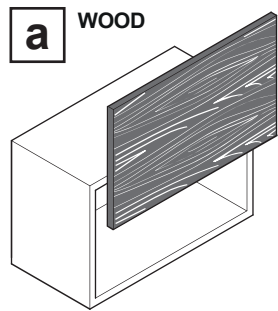
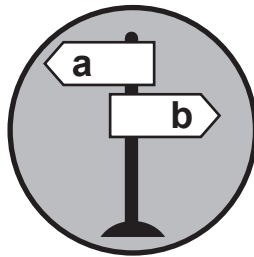
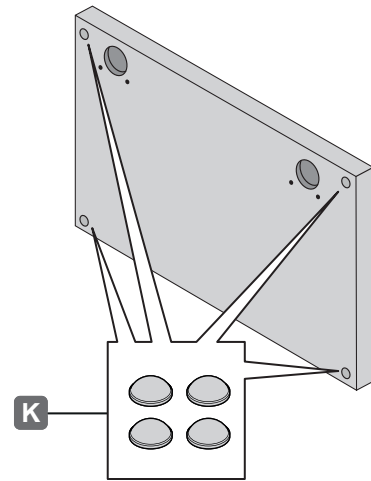
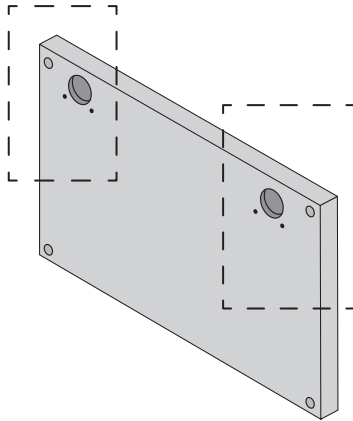
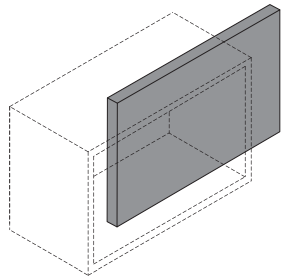


FREEslide

by Kesseböhmer

KESSEBÖHMER

4



FREEslide

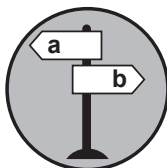
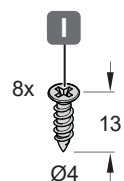
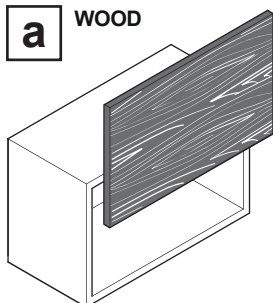
by Kesseböhmer

KESSEBÖHMER

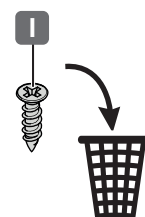
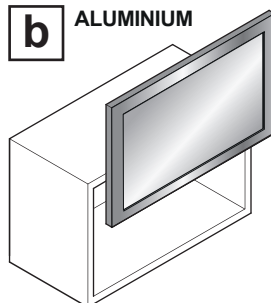
5



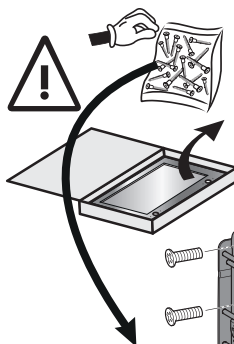
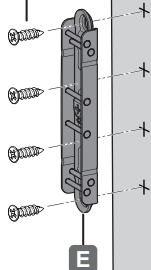
a WOOD



b ALUMINIUM

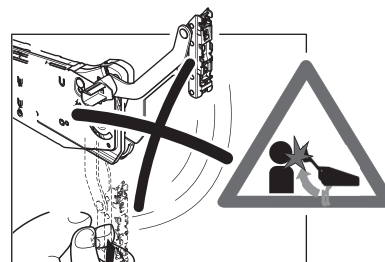
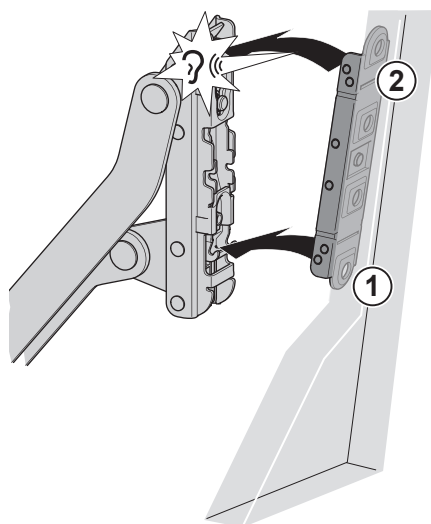
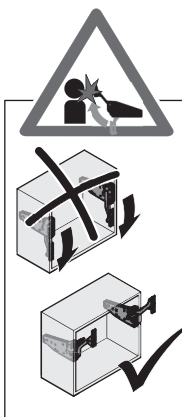
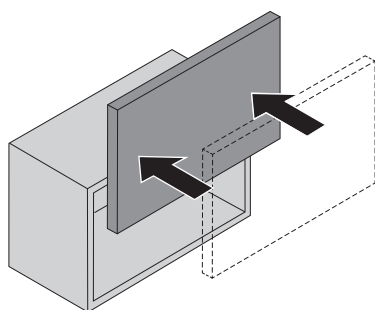


I



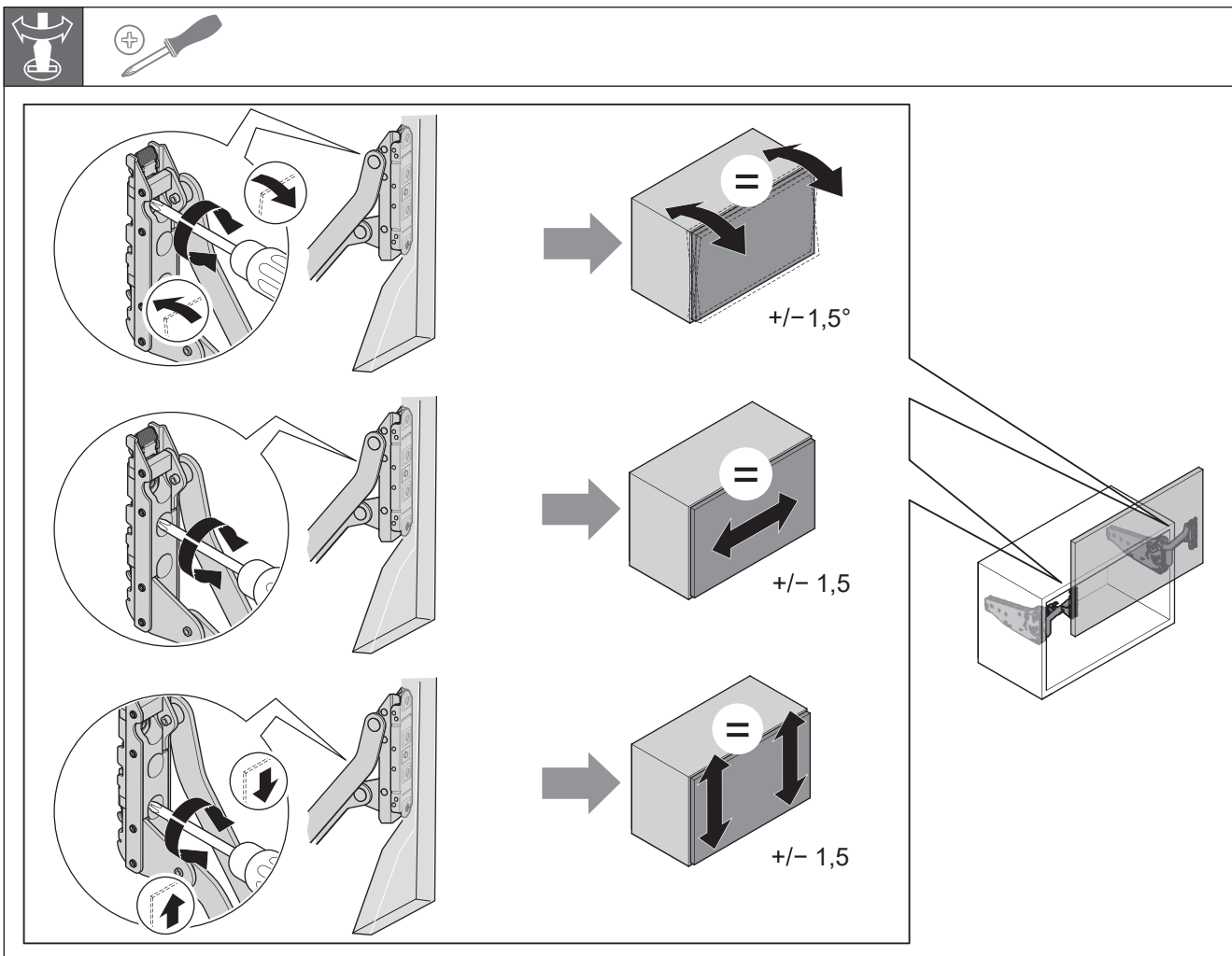
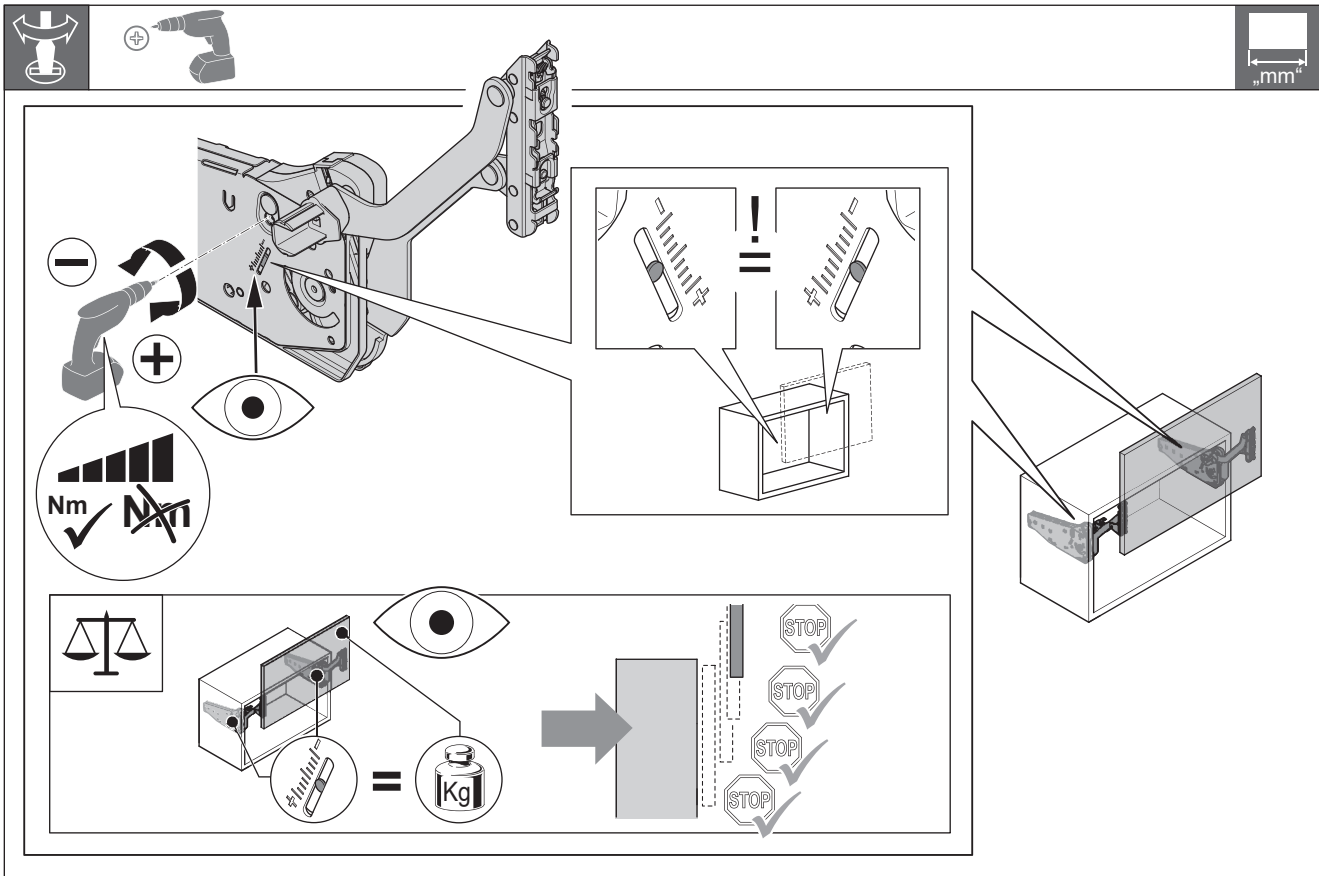
E

6



FREEslide

by Kesseböhmer

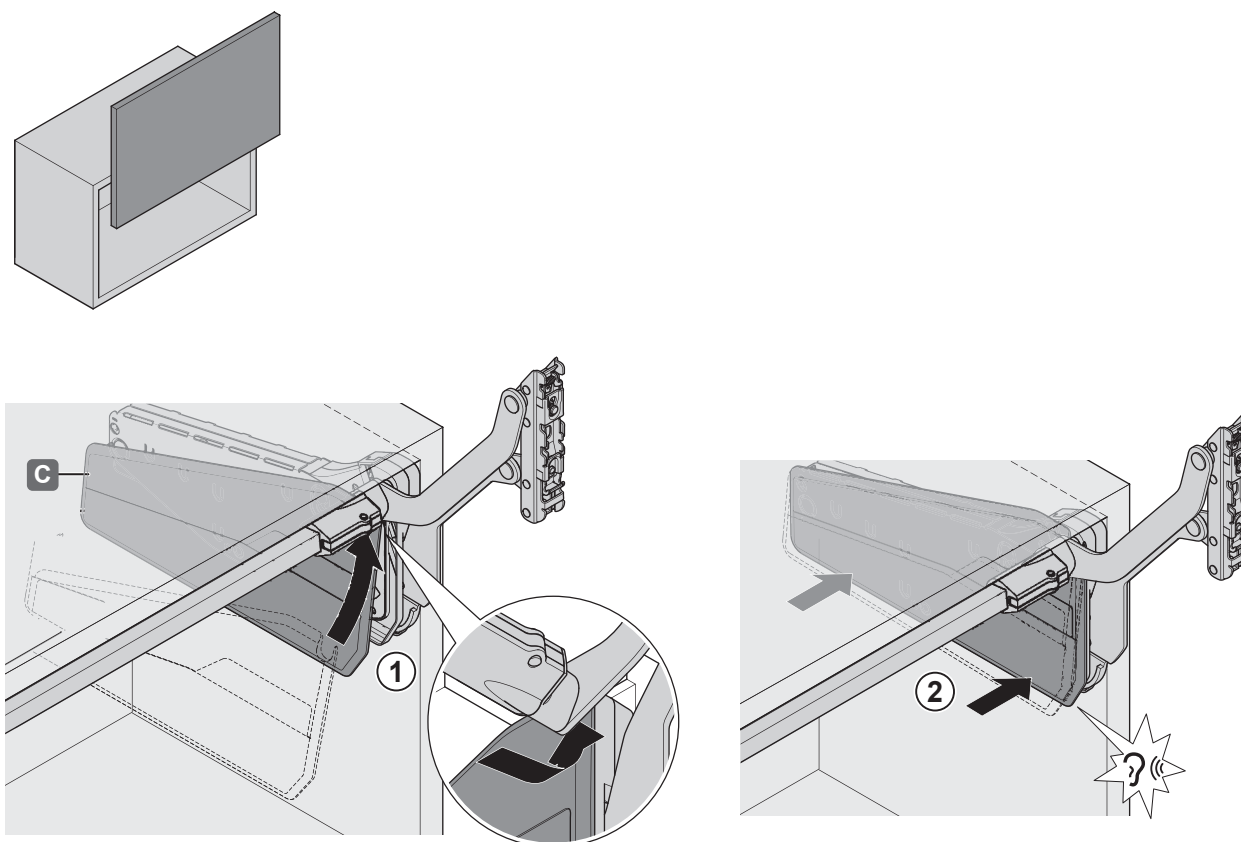


FREEslide

by Kesseböhmer



7



i

