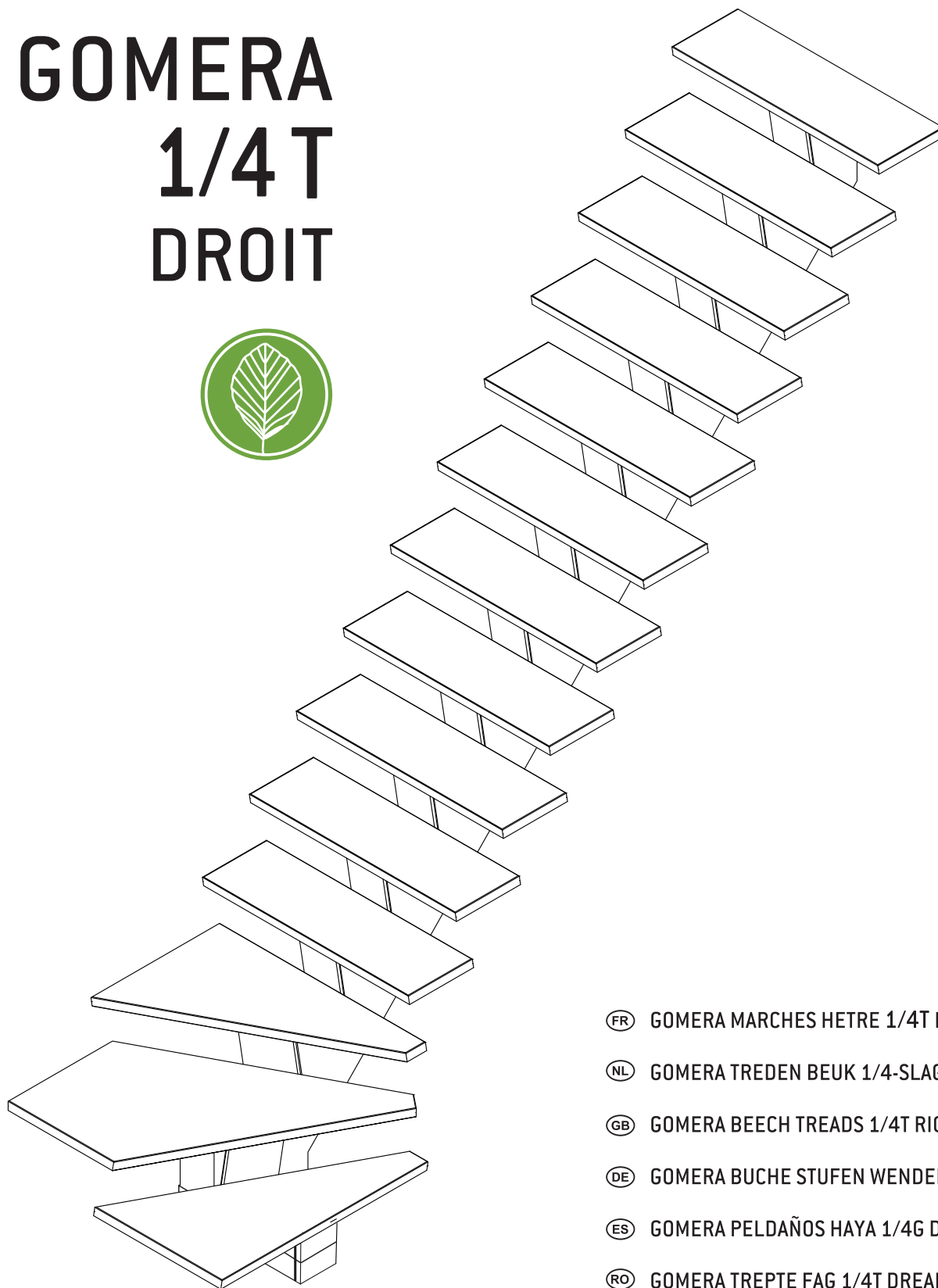
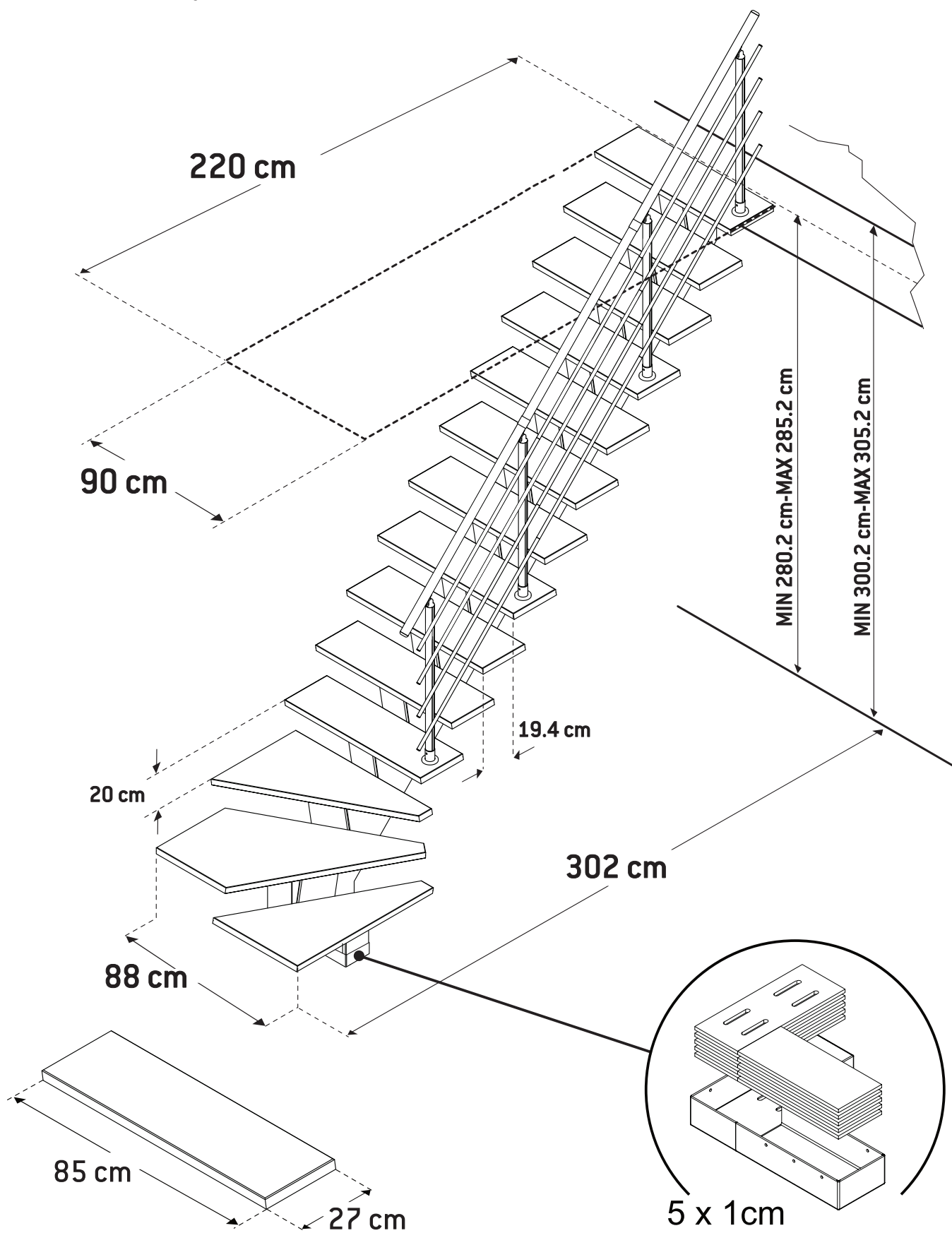
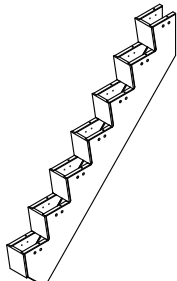
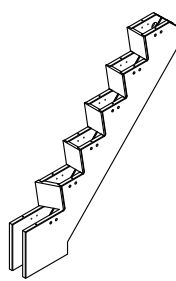
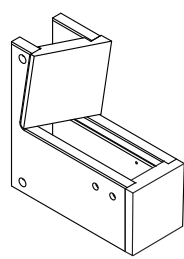
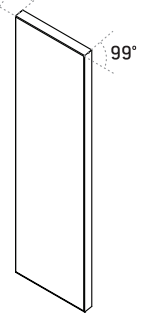
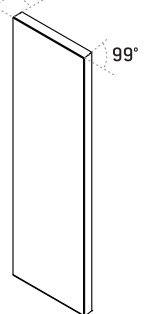
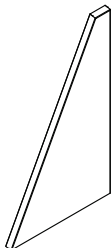

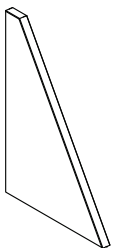
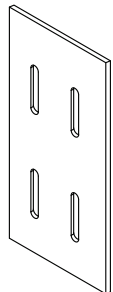
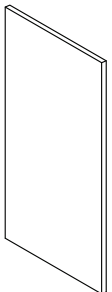
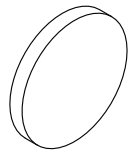
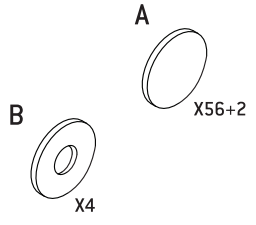
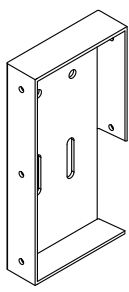
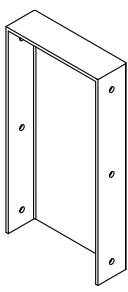
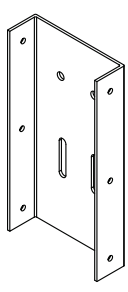
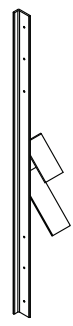


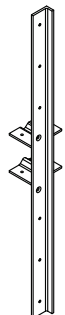


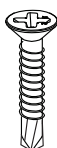
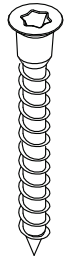
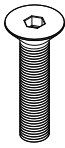
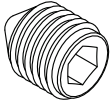
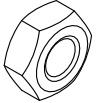
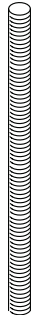
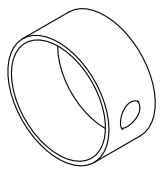
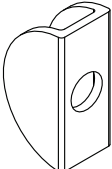
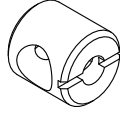
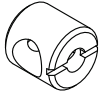
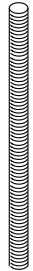
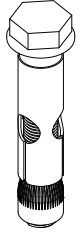
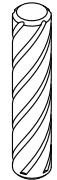
GOMERA 1/4T DROIT





- Ⓧ FR GOMERA MARCHES HETRE 1/4T DROIT
- Ⓧ NL GOMERA TREDEN BEUK 1/4-SLAG RECHTS
- Ⓧ GB GOMERA BEECH TREADS 1/4T RIGHT
- Ⓧ DE GOMERA BUCHE STUFEN WENDELUNG RECHTS
- Ⓧ ES GOMERA PELDAÑOS HAYA 1/4G DERECHA
- Ⓧ RO GOMERA TREPTE FAG 1/4T DREAPTA

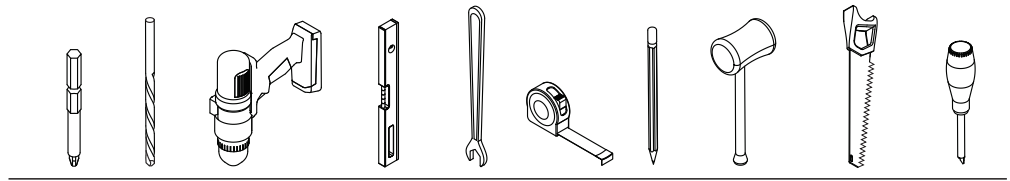


<p>01 x1</p> <p>150X390X1960</p>  <p>70043030</p>	<p>02 x1</p> <p>150X390X1920</p>  <p>D</p> <p>70043033D</p>	<p>03 x1</p> <p>150X350X380</p>  <p>D</p> <p>70043035D</p>	<p>04 x10</p> <p>81° 40X275X850</p> <p>99°</p> 
<p>05 x1</p> <p>90° 40X275X850</p> <p>99°</p> 	<p>06 x1</p> <p>40X538X855</p>  <p>D</p>	<p>07 x1</p> <p>40X624X1198</p>  <p>D</p>	<p>08 x1</p> <p>40X425X850</p>  <p>D</p>
<p>09 x5</p> <p>10X150X450</p>  <p>70041026</p>	<p>10 x5</p> <p>10X150X350</p>  <p>70041025</p>	<p>11 x8+1</p> <p>050X6</p>  <p>70041032</p>	<p>12</p> <p>A= 020X5 B= 020X4</p>  <p>70041031 70041037</p>
<p>13 x1</p> <p>90X164X456</p>  <p>D</p> <p>70041036D</p>	<p>14 x1</p> <p>90X165X374</p>  <p>70041039</p>	<p>15 x1</p> <p>50X162X315</p>  <p>70041034</p>	<p>16 x1</p> <p>40X80X900</p>  <p>D</p> <p>70042051D</p>

<p>17 x12</p> <p>40X80X700</p>  <p>70042044</p>	<p>18 x1</p> <p>40X80X500</p>  <p>70042052</p>	<p>19 x84+2</p> <p>05X25</p>  <p>70041030</p>	<p>20 x32+2</p> <p>06,3X60 / 06,3X45</p>  <p>70041027</p>
<p>21 x21+1</p> <p>07X40</p>  <p>70041007</p>	<p>22 x24+1</p> <p>M6X50</p>  <p>70041058</p>	<p>23 x4</p> <p>M8</p>  <p>70031037</p>	<p>24 x8</p> <p>M8</p>  <p>70031031</p>
<p>25 x4</p> <p>M8X160</p>  <p>70031033</p>	<p>26 x8</p> <p>19X037X040</p>  <p>70031034</p>	<p>27 x8</p> <p>11X18X35</p>  <p>70031030</p>	<p>28 x4</p> <p>020X20</p>  <p>70031036</p>
<p>29 x24</p> <p>15X016</p>  <p>70041059</p>	<p>30 x4</p> <p>M10X55</p>  <p>70031035</p>	<p>31 x8</p> <p>M12X016X80</p>  <p>70041006</p>	<p>32 x4</p> <p>010X40</p>  <p>70041005</p>

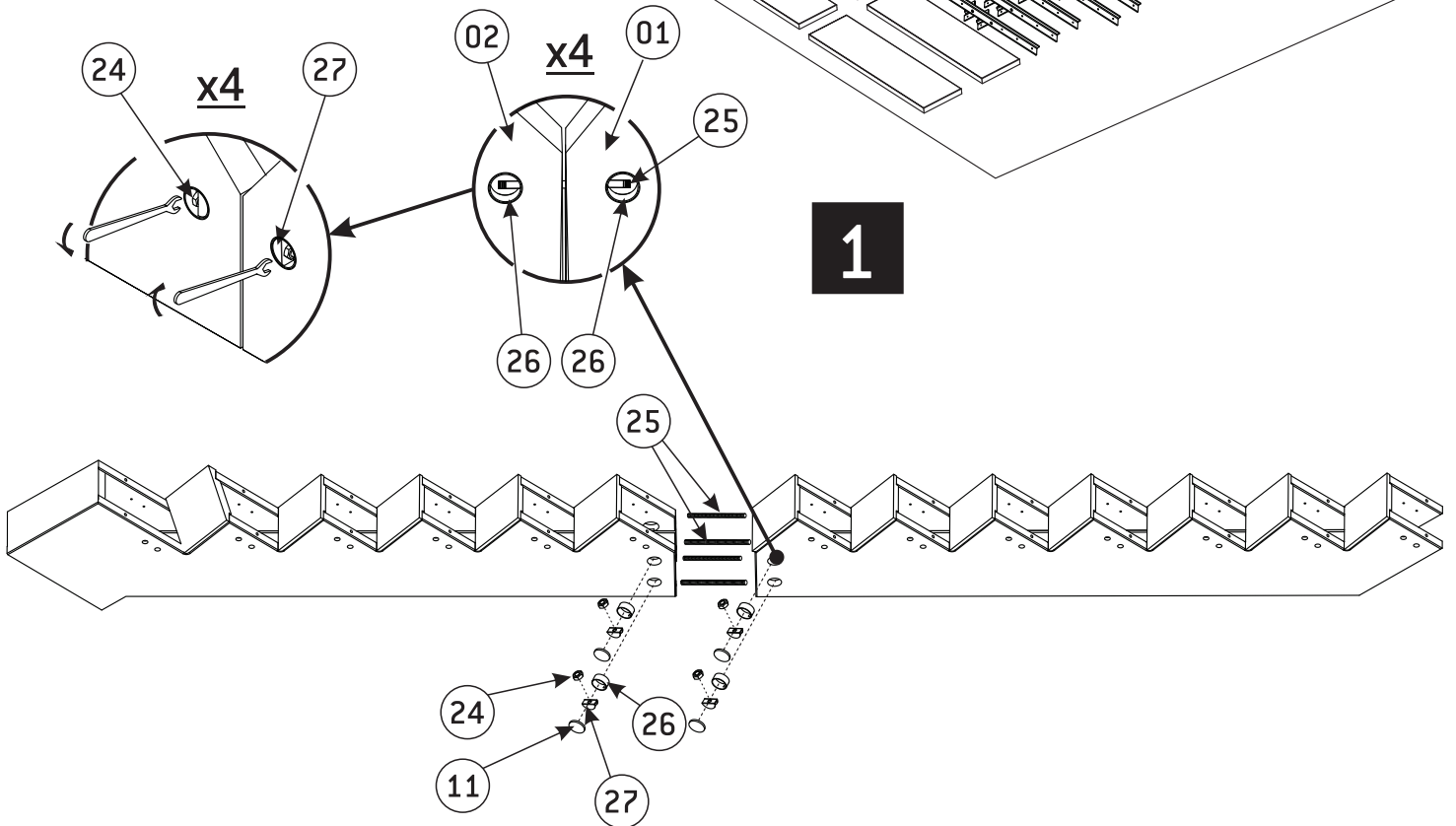
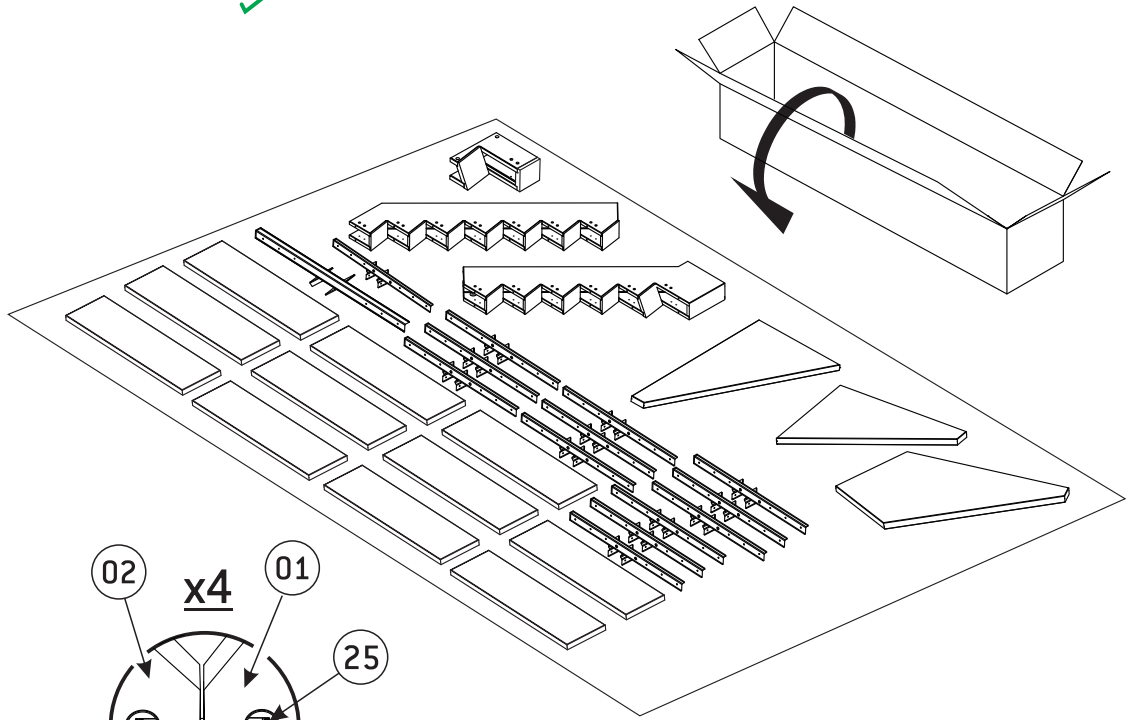
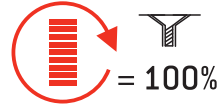
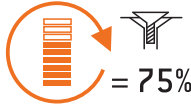
33
 x1
 HEX 4

 70041028

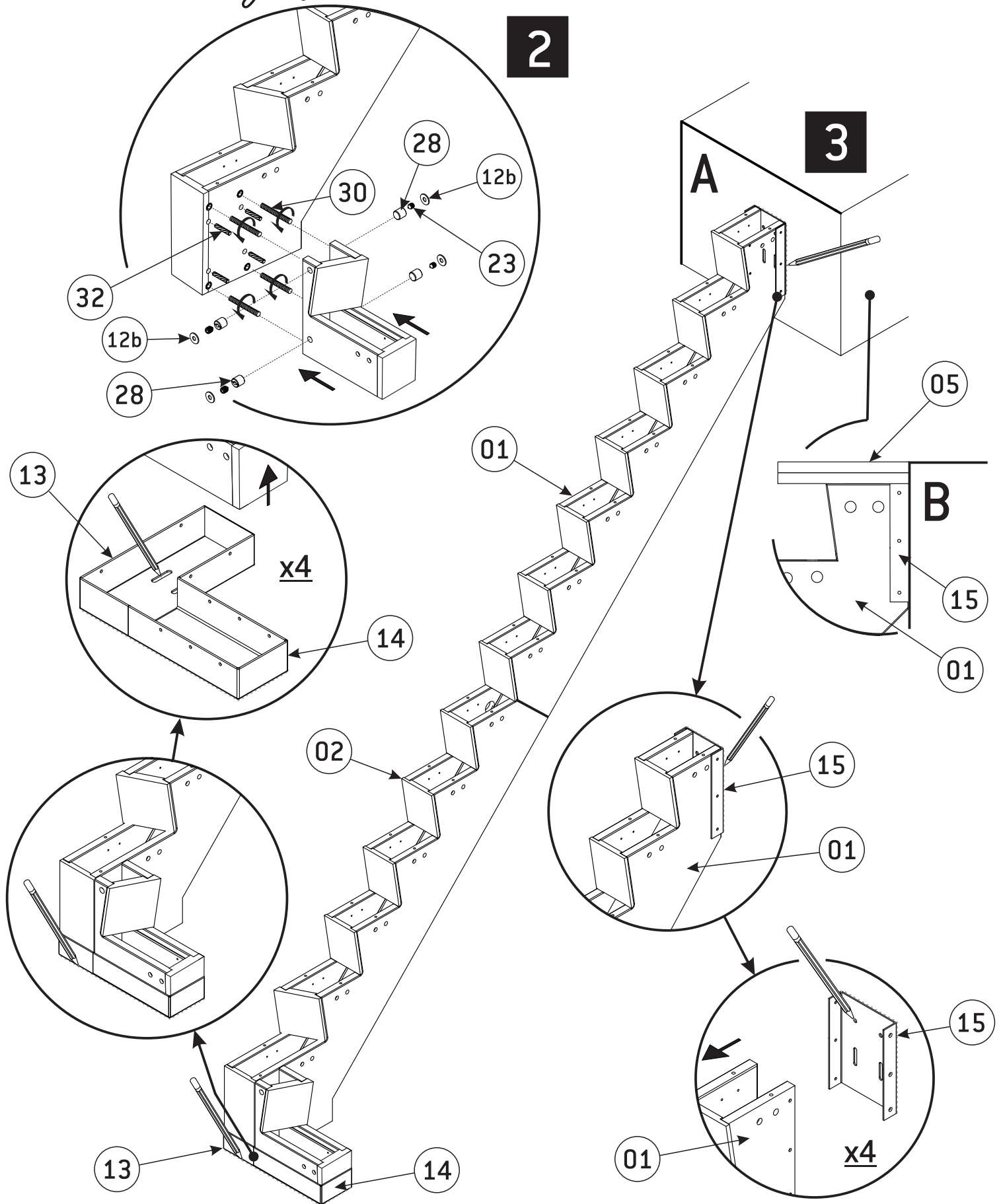
34
 x1
 20 ML

 70041060

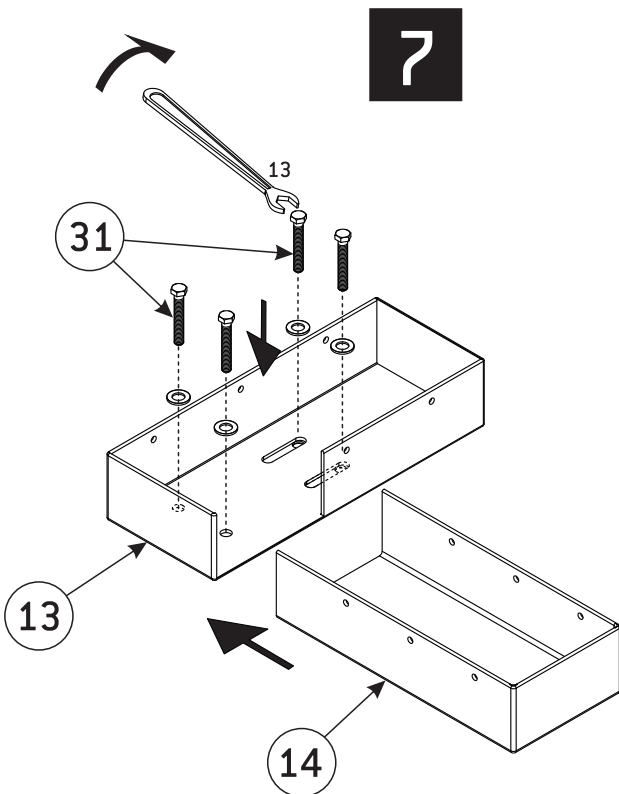
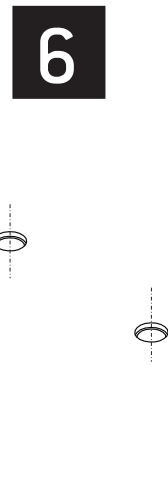
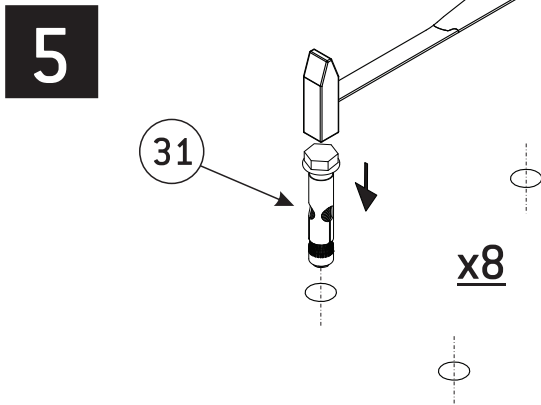
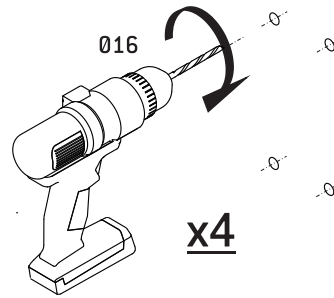
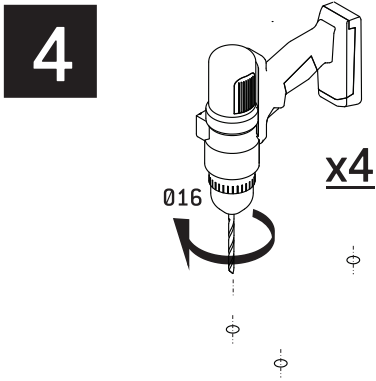


Ph2/3 016
Pz2/3

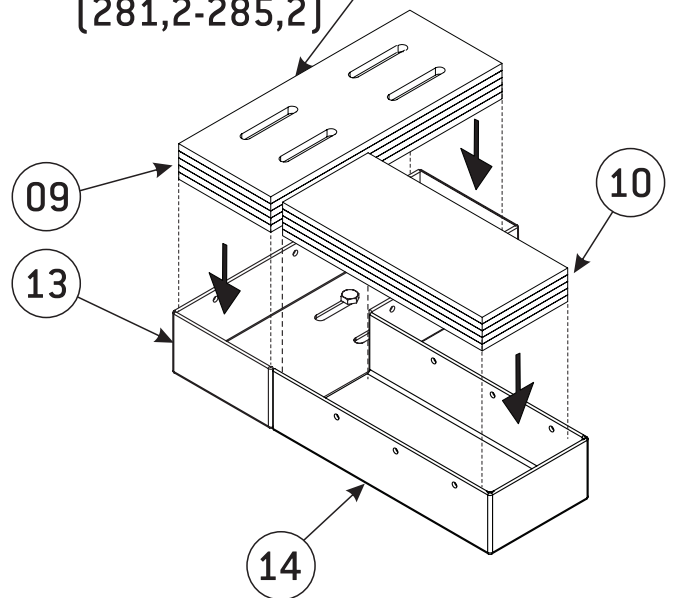
10
13
17



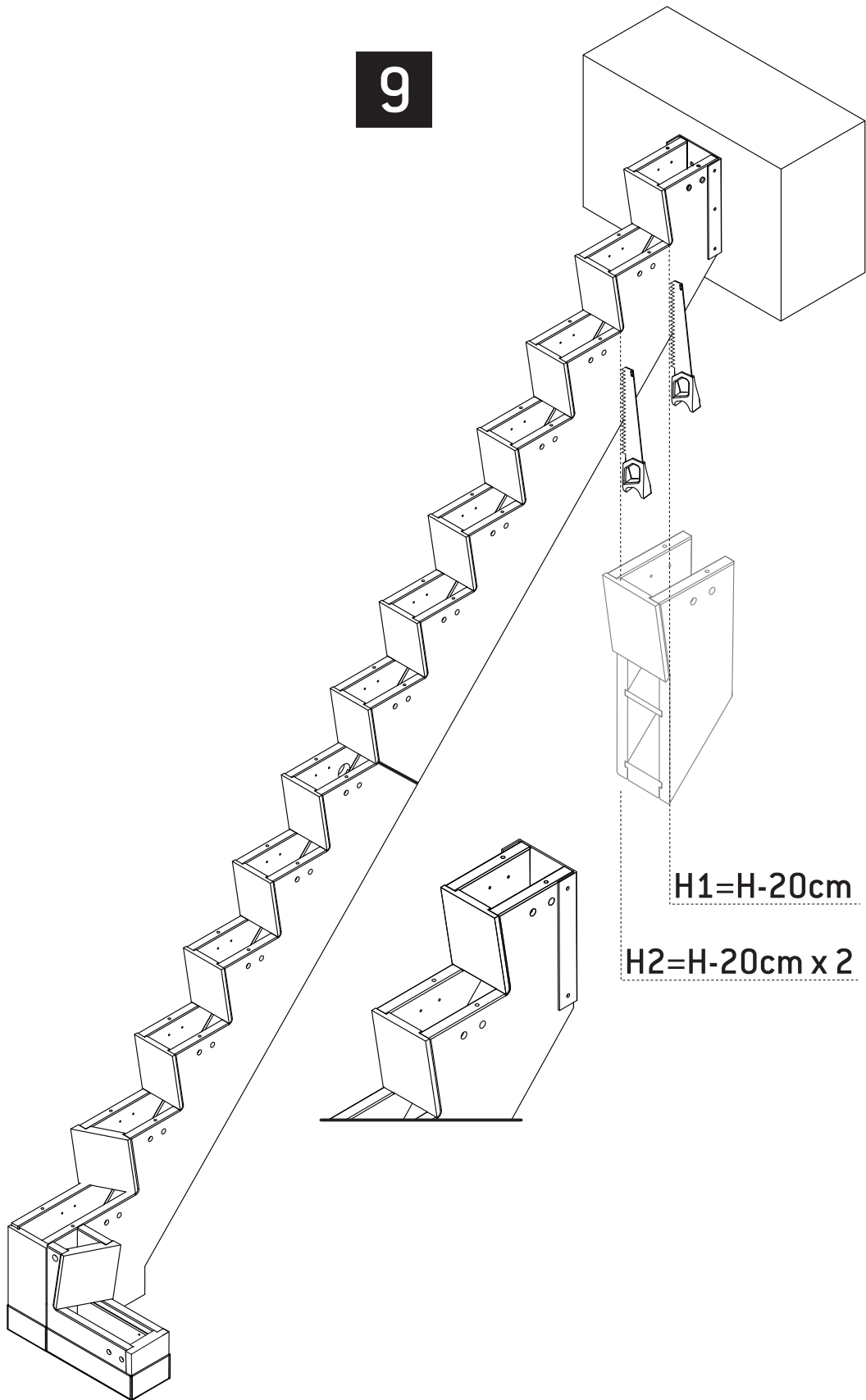




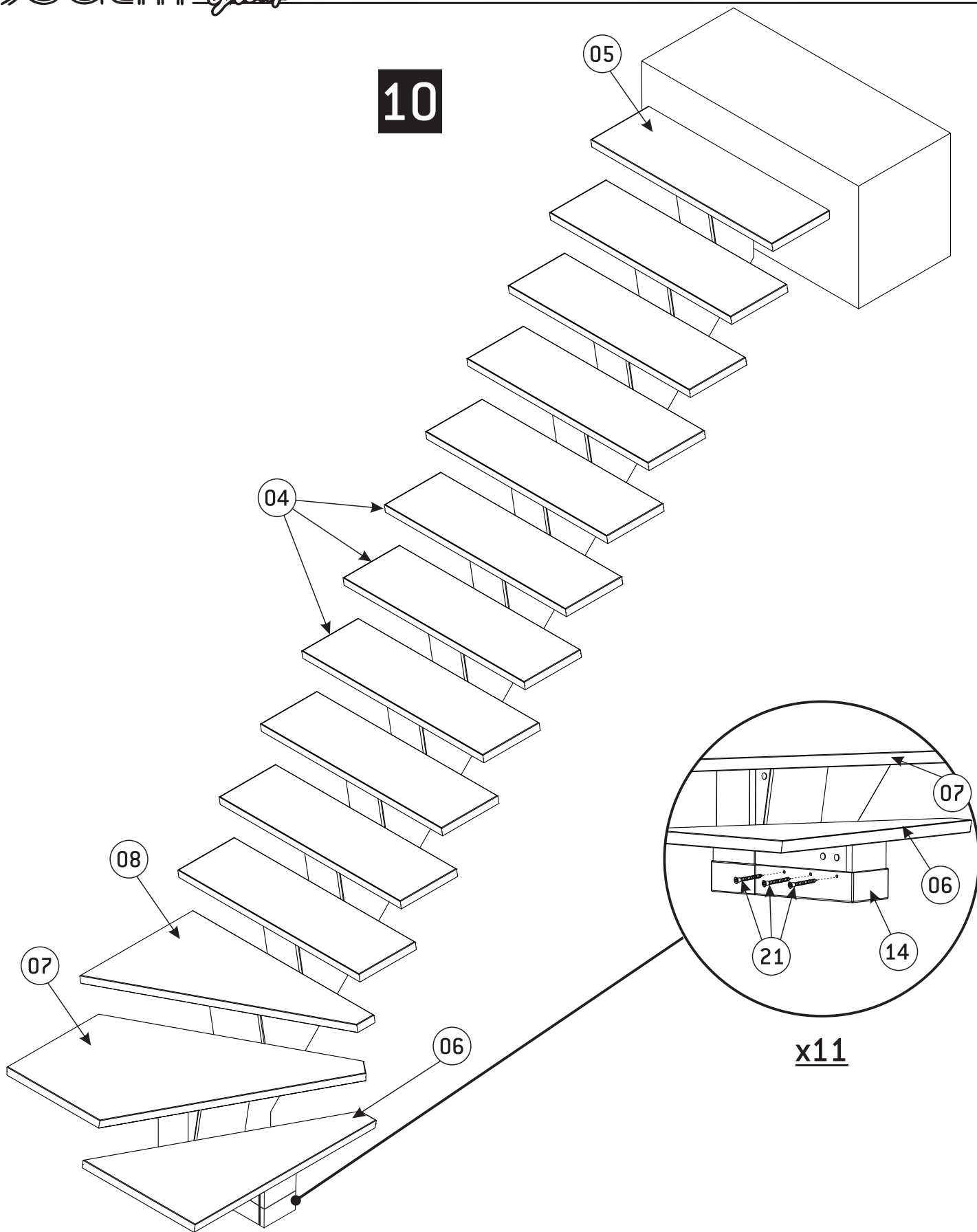
H > 280,2 cm
 [281,2-285,2]



9



10



RUE GRIMARD,39 B-6061 MONTIGNIES-SUR-SAMBRE(CHARLEROI)-BELGIUM
TEL: +32/71/25.39.60 FAX: +32/71/25.39.72 E-MAIL: info@sogem-sa.com