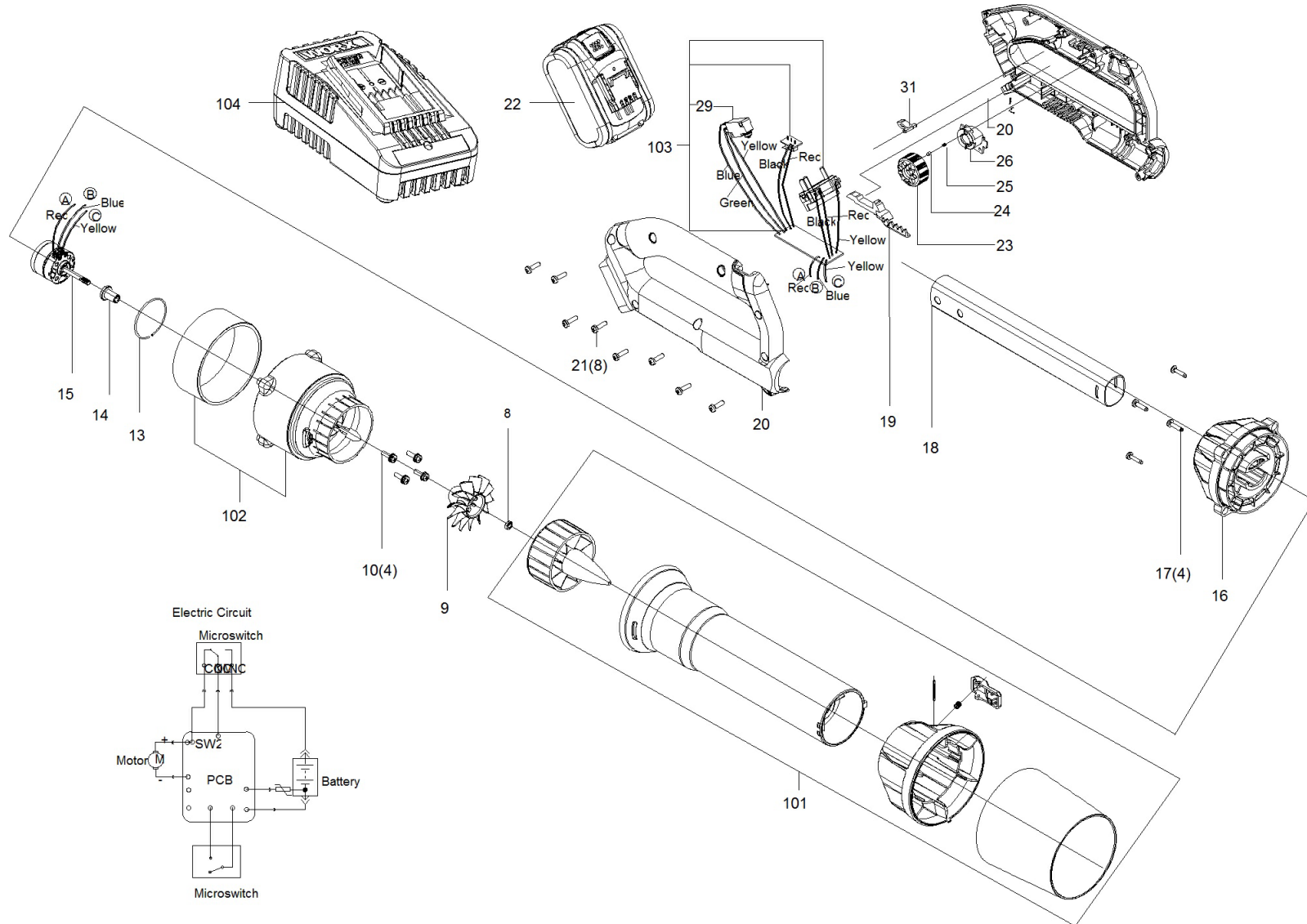


WG543E



## WG543E

	Part No	Description	Qty
8	50002546	Nut	1
9	50042557	Fan	1
10	50038946	Screw assembly M4X12	4
13	50042932	Spring Collar	1
14	50036659	Motor Shaft Sleeve	1
15	50042556	Motor	1
16	50042559	Guard	1
17	50042553	Screw	4
18	50042555	Aluminium Tube	1
19	50028748	Spline	1
20	50042758	Housing	1
21	50002914	Self tapping screw	8
22	50028269	"Battery Pack(Li-ion,2Ah,20V)WA3553"	1
23	50028725	Trigger	1
24	50027173	Hollow Pin	1
25	50020250	Compression Spring	1
26	50028726	Detent Block	1
29	50042933	Switch	1
31	50017862	Linkage	1
101	50042554	Tube Components	1

WG543E

🗨	Part No	Description	Qty
102	50042560	Acoustic enclosure Assemble Components	1
103	50042759	Control Board	1
104	50036688	"Charger(100-240V,2.0Ah,20V)WA3880"	1