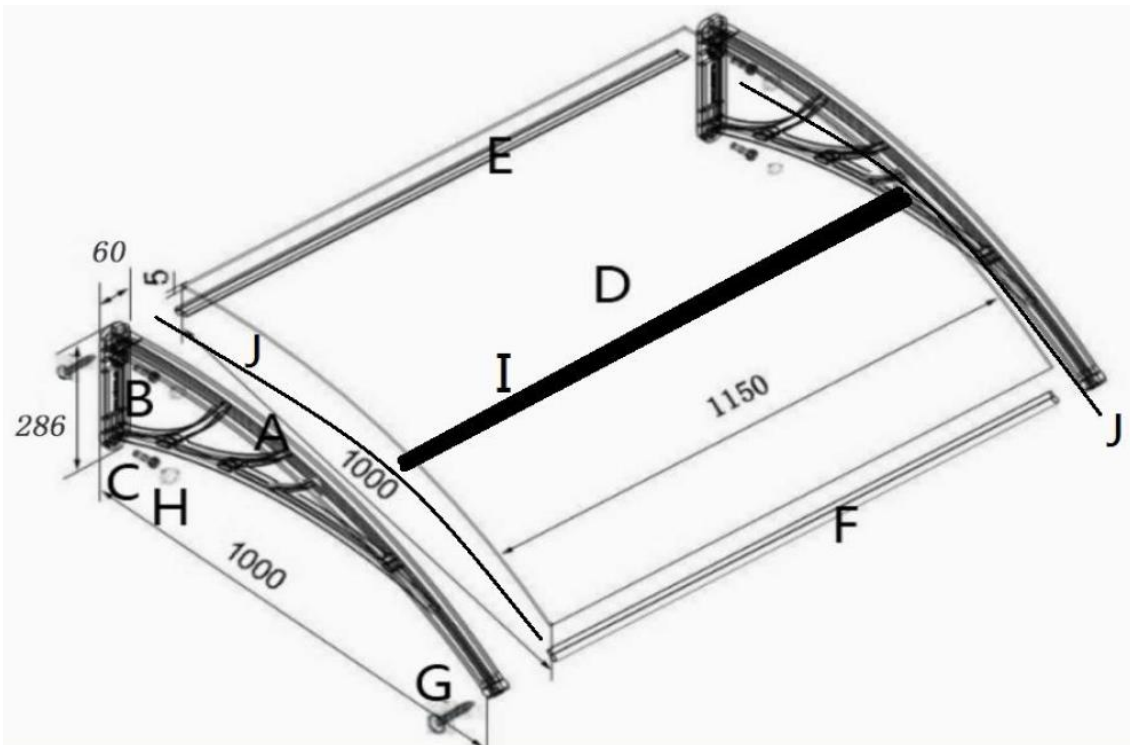


PRODUCT EXPLODED VIEW

Supplier Name	ZHEJIANG DEQING RUIDE INDUSTRIAL CO., LTD.
Version No.	RD2020-1
Product Range	Not mandatory

No.	ADEO Ref	EAN Code	No.	ADEO Ref	EAN Code
1	82798895	3276007191899	22		
2			23		
3			24		
4			25		
5			26		
6			27		
7			28		
8			29		
9			30		
10			31		
11			32		
12			33		
13			34		
14			35		
15			36		
16			37		
17			38		
18			39		
19			40		
20			41		
21			42		



Parts No.	Quantity	Spec	Material & Surface process
A	2	1000X286X60MM	BLACK ENGINEERING PLASTIC
B	2	M10x90	ZINC PLATING BOLT
C	2	M10x60	ZINC PLATING BOLT
D	1	1150X1000X5MM	5MM HOLLOW BOARD WITH SMOKE COLOUR
E	1	115CM	REAR ALU BAR WITH BLACK ALUMINUM
F	1	115CM	FRONT ALU BAR WITH BLACK ALUMINUM
G	4	4.0x25mm	ZINC PLATING SETSCREW
H	4	23.7x7.6mm	PLASTIC SCREW CAP
I	1	115CM	MIDDLE JUNCTION ALU BAR WITH BLACK ALU
J	2	100CM	RUBBER SEAL

