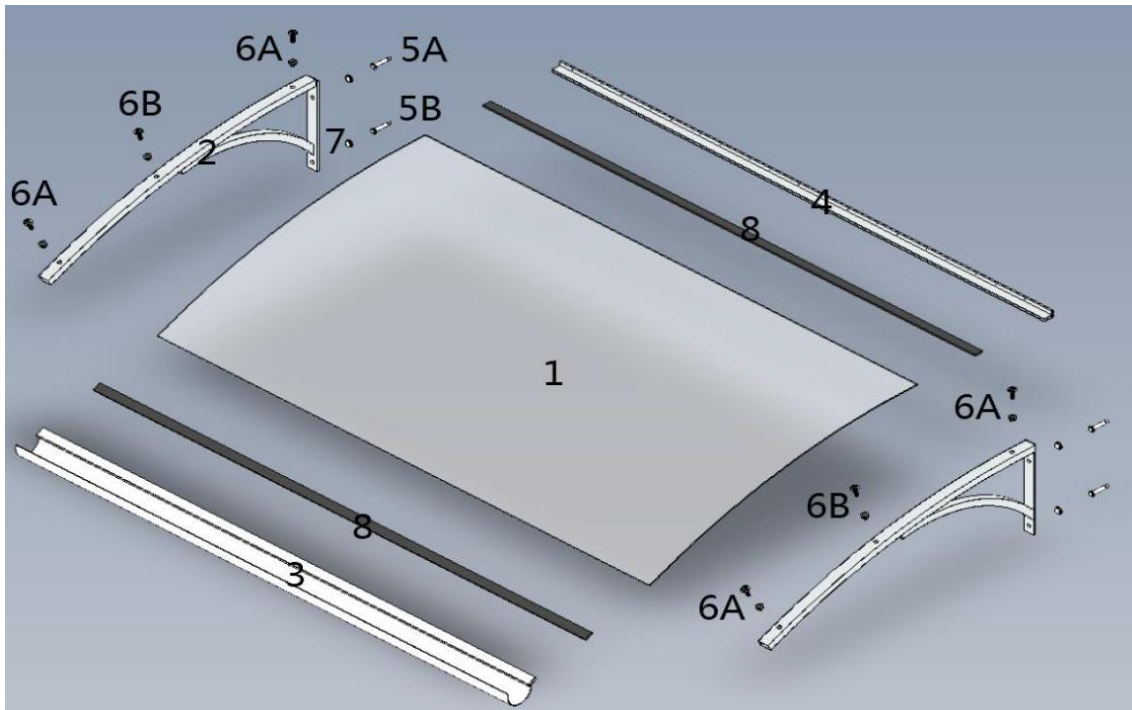


PRODUCT EXPLODED VIEW

Supplier Name	ZHEJIANG DEQING RUIDE INDUSTRIAL CO., LTD.
Version No.	RD2020-1
Product Range	Not mandatory

No.	ADEO Ref	EAN Code	No.	ADEO Ref	EAN Code
1	82798896	3276007191882	22		
2			23		
3			24		
4			25		
5			26		
6			27		
7			28		
8			29		
9			30		
10			31		
11			32		
12			33		
13			34		
14			35		
15			36		
16			37		
17			38		
18			39		
19			40		
20			41		
21			42		



Parts No.	Quantity	Spec	Material & Surface process
1	1	1500X860X3MM	CLEAR PC 3MM
2	2	850X270X40MM	WHITE ALUMINUM BRACKET
3	1	1500MM	FRONT ALUMINUM BAR IN WHITE COLOR, THE THICKNESS OF PROFILE IS 1.4mm
4	2	1500MM	REAR ALUMINUM BAR IN WHITE COLOR
5A	2	M8X90	ZINC PLATING BOLT
5B	2	M8X60	ZINC PLATING BOLT
6A	4	M8X40MM	STAINLESS STEEL 304
6B	2	M8X35	STAINLESS STEEL 304
7	4	23.7x7.6mm	PLASTIC SCREW CAP
8	2	1500MM	RUBBER SEAL

