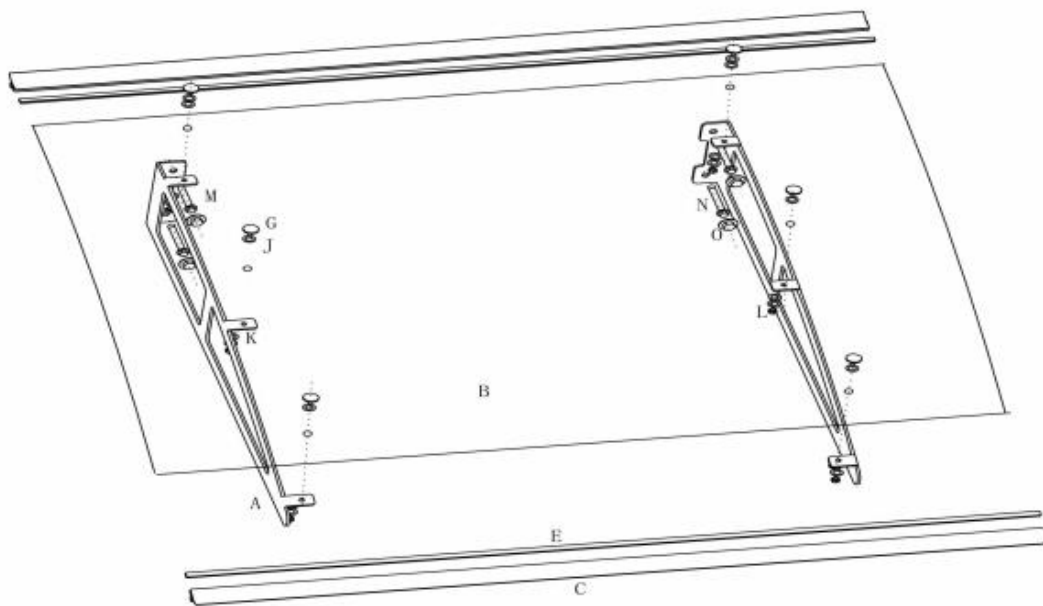


# PRODUCT EXPLODED VIEW

Supplier Name	ZHEJIANG DEQING RUIDE INDUSTRIAL CO., LTD.
Version No.	RD2020-1
Product Range	Not mandatory

No.	ADEO Ref	EAN Code	No.	ADEO Ref	EAN Code
1	82798886	3276007191790	22		
2			23		
3			24		
4			25		
5			26		
6			27		
7			28		
8			29		
9			30		
10			31		
11			32		
12			33		
13			34		
14			35		
15			36		
16			37		
17			38		
18			39		
19			40		
20			41		
21			42		



Parts No.	Quantity	Spec	Material & Surface process
A	2	865X130X45MM	ALUMINUM BRACKET IN WHITE COLOR
B	1	1500X845X4MM	CLEAR POLYCARBONATE
C	2	1500MM	ALUMINUM BAR IN WHITE COLOR(FRONT&REAR),THE THICKNESS OF PROFILE IS 0.9MM
E	2	1500MM	RUBBER SEAL(FRONT&REAR)
G	6	M8X20MM	STAINLESS STEEL 304
J	6	20X1MM	PLASTIC
K	6	20X2MM	STAINLESS STEEL 304
L	6	M8	STAINLESS STEEL 304
M	2	M10X90MM	ZINC PLATING BOLT
N	2	M10X60MM	ZINC PLATING BOLT
O	4	24X7MM	PLASTIC BOLT CAP

