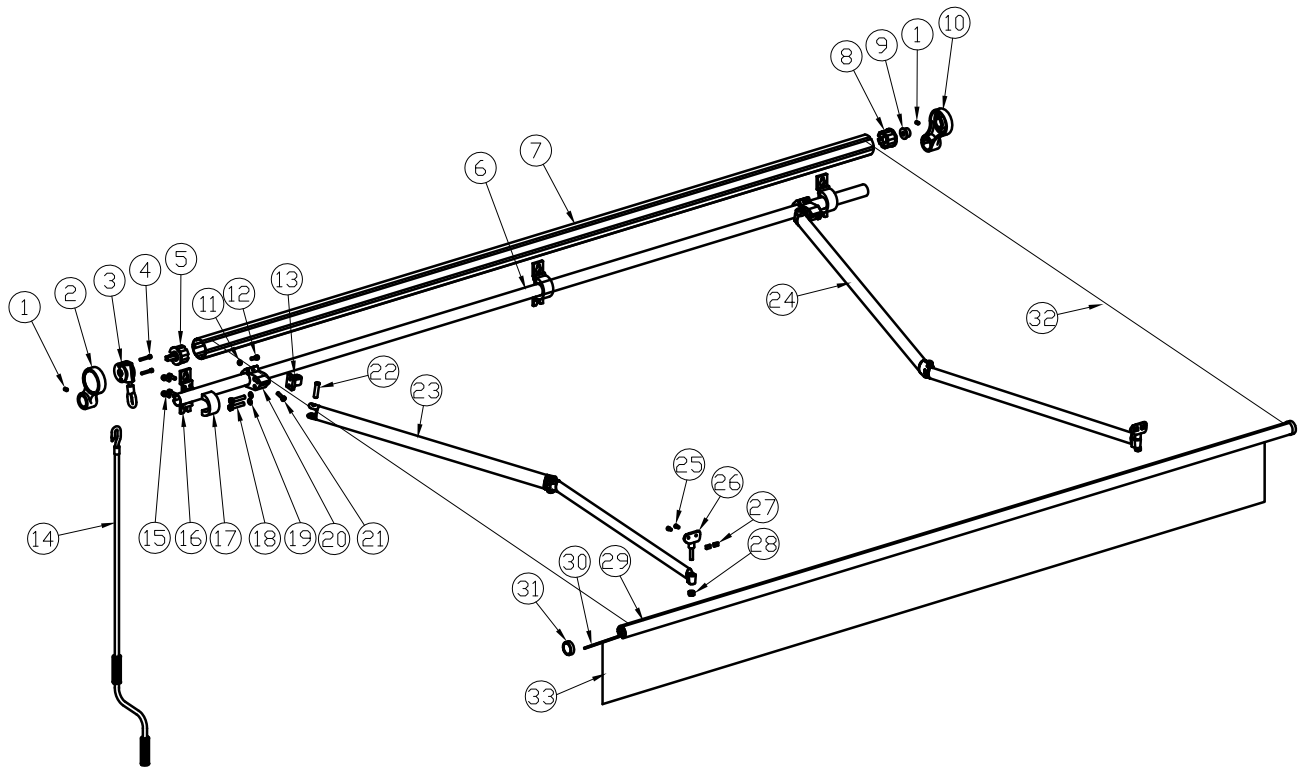


Name and address of Supplier ZHEJIANG VANA ARTS & CRAFTS CO., LTD
 浙江万来旅游工艺品有限公司
 YANZHOU ROAD ,ECONOMIC DEDVELOPMENT ZONE ,LANXI,ZHEIANG CHINA
 ZHEJIANG VANA ARTS & CRAFTS CO., LTD

Name and address of Supplier ZHEJIANG VANA ARTS & CRAFTS CO.,LTD
 金生莱
 YANZHOU ROAD ,ECONOMIC DEDVELOPMENT ZONE ,LANXI,ZHEIANG CHINA

Product identification			
Adeo or BU Ref	Product Designation	Product EAN	Supplier ref,
82752777	AWNING CALIMA MANUAL 2.5X2M WHITE AND GREY STRIPES FAB WHITE STR	3276007182781	SP1104-2520-EU+ZA
82752799	AWNING CALIMA MANUAL 2.5X2M BEIGE AND RED STRIPES FAB WHITE STR	3276007183009	SP1104-2520-RED-EU+ZA
82752807	AWNING CALIMA MANUAL 2.5X2M TAUPE PLAIN COLOR FAB WHITE STR NATERIAL	3276007183085	SP1104-2520-TAUPE-EU+ZA
82752788	AWNING CALIMA MANUAL 3X2M BEIGE PLAIN COLOR FAB WHITE STR NATERIAL	3276007182897	SP1104-3020-BEIGE-EU+ZA
82752754	AWNING CALIMA MANUAL 3X2M TAUPE PLAIN COLOR FAB WHITE STR NATERIAL	3276007182538	SP1104-3020-TAUPE-EU+ZA
82752785	AWNING CALIMA MANUAL 2.5X2M BEIGE PLAIN COLOR FAB WHITE STR NATERIAL	3276007182866	SP1104-2520-BEIGE-EU+ZA
82752801	AWNING CALIMA MANUAL 3X2M BEIGE AND RED STRIPES FAB WHITE STR NATERIAL	3276007183023	SP1104-3020-RED-EU+ZA
81874223	AWNING CALIMA MANUAL 3X2M WHITE AND GREY STRIPES FAB WHITE STR	3276000327226	SP1104-3020



NO.	DESCRIPTION		material	qty
1	SCREW	M8X15	stainless steel	2
2	roller support left	158X118X41	ZL104	1
3	gear box	1/6		1
4	SCREW	M6X40	stainless steel	2
5	square shaft	Φ60X71	PA66+Q235	1
6	Torision bar	Φ40X1.2X 2930mm	A3	1
7	roller	Φ60X1.2X 2845mm	6063-T5	1
8	tube shaft	Φ60X54	PA66+Q235	1
9	large conica	Φ35XΦ12.5X20	PA66	1
10	roller support right	158X118X41	ZL104	1
11	flat gasket	Φ8	stainless steel	12
12	HEXAGON SOCKET HEAD SCRE M8X35		stainless steel	4
13	briquette	48X24X40	ZG270-500	2
14	hand crank	1.6M	STEEL	1
15	HEXAGON SOCKET HEAD SCR M8X25		stainless steel	8
16	brackets part1	153X24X50	6063-T5	2
17	brackets part2	75X43X50	6063-T5	2
18	hexagon bolt	M10X45	stainless steel	4
19	SCREW	Φ10	stainless steel	4
20	arm support	103X68X32	6063-T5	2
21	SCREW	M10X30	stainless steel	2
22	screw	Φ12X43	Q235	2
23	left arm	1900Mm	STEEL	1
24	right arm	1900mm	STEEL	1
25	SCREW	M6X16	stainless steel	4
26	front bar line	89X52X22	ZL104	2
27	SCREW	M6	stainless steel	4
28	SCREW	M10	stainless steel	2
29	FRONT BAR	Φ42X1.2X 2820mm	6063-T5	1
30	fabric plastic line	Φ5.3X2835mm	PA66	3
31	FORN BAR COVER	Φ45X23	PA66	2
33	FLAP	2820X 230mm	240G/M2 POLYSTER	1
32	FABRIC	2820X 2000mm	240G/M2 POLYSTER	1