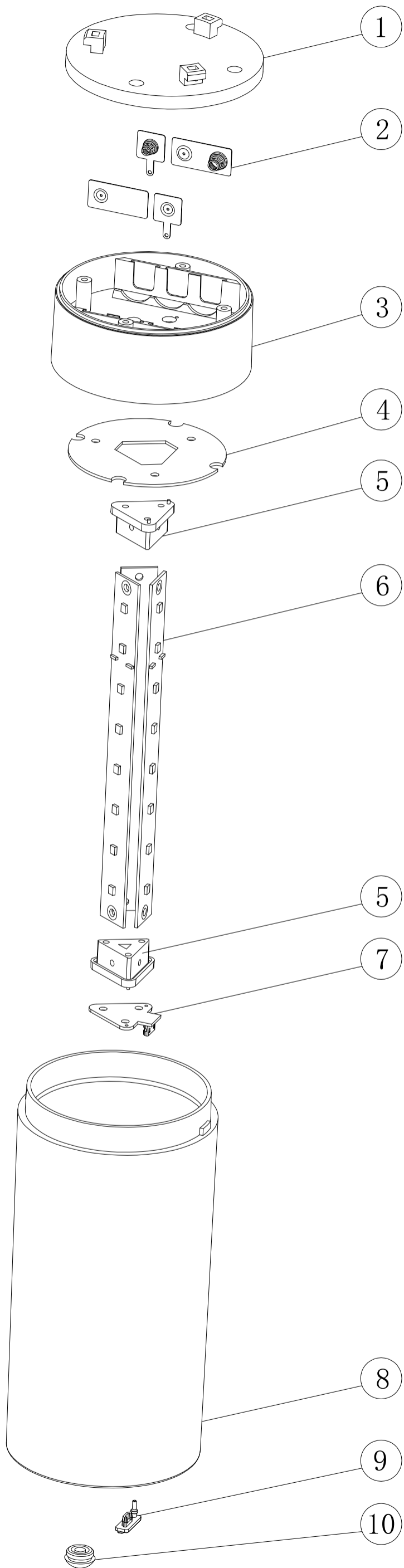


Compo N°	Name	Material Type	Number
1	Handle	Iron	1
2	Body	Aluminium	1
3	Press nut	ABS	3
4	Connection base	ABS	1
5	Diffuser	PC	1
6	Decorative ring	Iron	1
7	Nomade Lamp		1



Compo N°	Name	Material Type	Number
1	Fixation part	ABS	1
2	Battery contact	Copper	3
3	Main body	ABS	1
4	Control board	PCB	1
5	LED connection part	ABS	2
6	PCB	PCB	3
7	USB connector	PCB	1
8	Diffuser	PC	1
9	USB rubber gasket	Silicion	1
10	Switch rubber gasket	Silicion	1