

# ALPINA

## AL4 46 SH (2021)

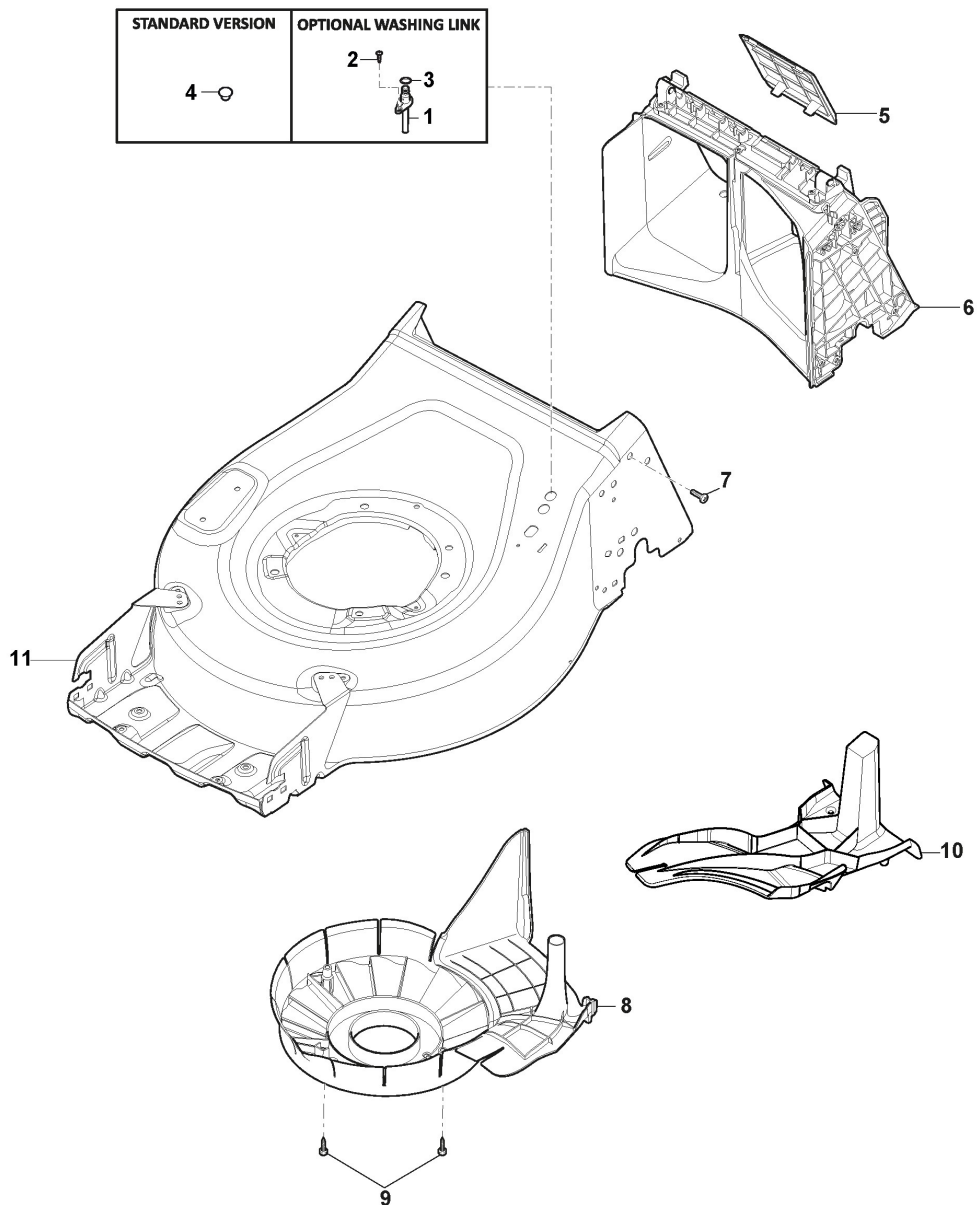
2L0482034/A21

### Spare parts list Reservdelar Repuestos Ersatzteile Pièces détachées Reserve onderdelen Catalogo ricambi



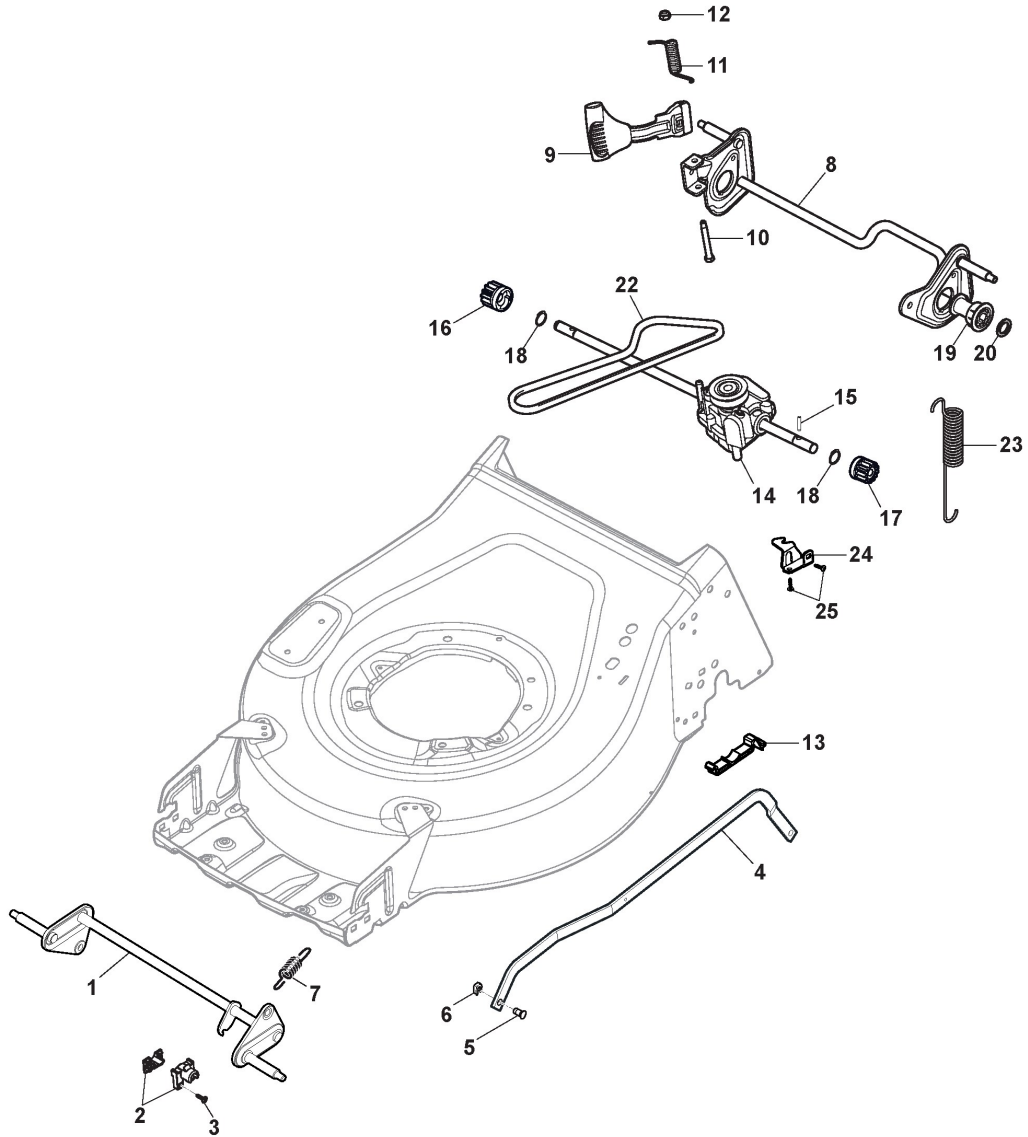
- Use ST. S.p.A. Genuine Spare Parts specified in the parts list for repair and/or replacement.
- The contents described in the parts list may change due to improvement.
- The drawings of the spare parts are only indicative And might Not represent the part in question exactly.
- The indications "right" - "left" - "front" - "rear" refer to the position of the operator when using the machine.
- When placing orders of parts for repair And/Or replacement, make sure that the illustrated parts list Is the one applying to the machine's year of manufacture, as shown on the identification plate attached to the machine.

All rights reserved. No part Of this material may be reproduced Or transmitted, in any form Or by any means, electronic Or mechanical, including photocopying, recording Or by any information storage And retrieval system, without permission in writing from ST. S.p.A.



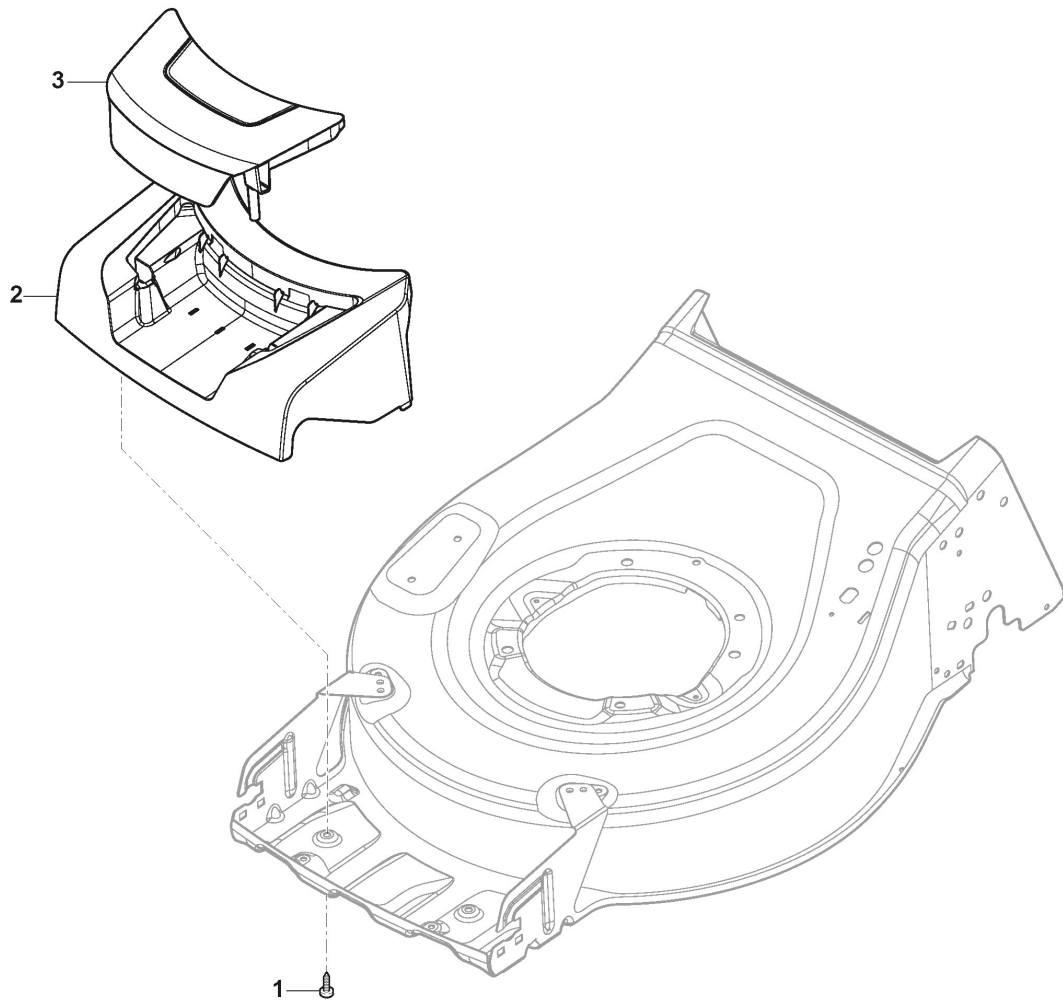
## Deck without Brackets

| Ref.nr. | Qty | Item number | Description        | Notes   | From                           | Up to    |
|---------|-----|-------------|--------------------|---|--------------------------------|----------|
| 1       | 1   | 322034002/0 | Washing Connection |   |                                |          |
| 2       | 1   | 112728450/0 | Screw              |   |                                |          |
| 3       | 1   | 119035000/0 | Or Ring            |   |                                |          |
| 4       | 1   | 322820077/1 | Cap                |   |                                |          |
| 5       | 1   | 322600310/0 | Rear door          | Only for Electric Start Engine with ION battery |                                |          |
| 6       | 1   | 322108329/0 | Rear Conveyor      |   |                                |          |
| 7       | 2   | 112728697/0 | Screw              |   |                                |          |
| 8       | 1   | 322060242/2 | Belt Protection    | As Optional                                     |                                |          |
| 9       | 2   | 112728531/0 | Screw              |   |                                |          |
| 10      | 1   | 322140239/1 | Mulching Deflector | As Optional                                     |                                | To S/N   |
| 10      | 1   | 322140250/0 | Mulching Deflector | As Optional                                     | From S/N<br>191A2WBH<br>001568 | 191A2WBH |
| 11      | 1   | 381005027/0 | Grey Deck          |   |                                |          |



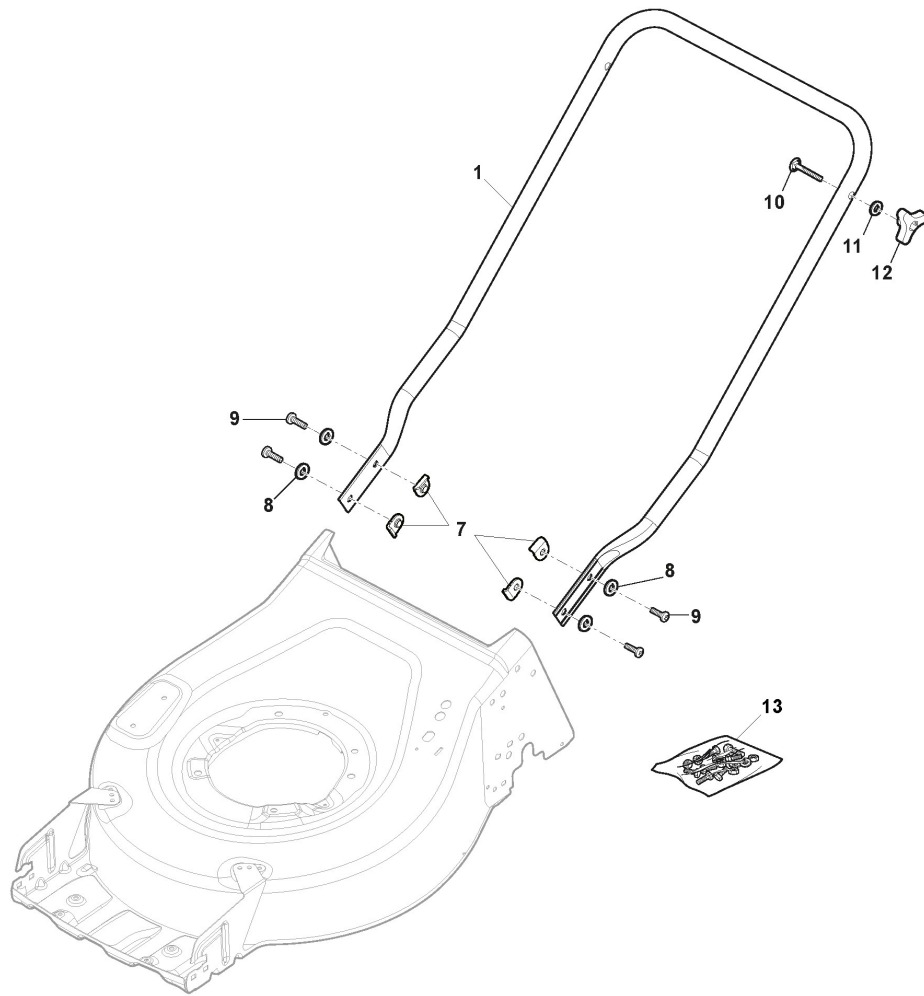
## Height Adjusting

| Ref.nr. | Qty | Item number  | Description            | Notes                         | From                           | Up to                        |
|---------|-----|--------------|------------------------|-------------------------------|--------------------------------|------------------------------|
| 1       | 1   | 381302935/0  | Axle, Front Wheels     |                               |                                | To S/N<br>20BA2WBH<br>045270 |
| 1       | 1   | 381302935/1  | Axle, Front Wheels     |                               | From S/N<br>20BA2WBH<br>045271 |                              |
| 2       | 2   | 322785305/1  | Support                |                               |                                |                              |
| 3       | 4   | 112728697/0  | Screw                  |                               |                                |                              |
| 4       | 1   | 322869733/0  | Rod, Height Adjustment |                               |                                | To S/N<br>20BA2WBH<br>048299 |
| 4       | 1   | 322869733/1  | Rod, Height Adjustment |                               | From S/N<br>20BA2WBH<br>048299 |                              |
| 5       | 2   | 122519823/0  | Pin                    |                               |                                |                              |
| 6       | 2   | 112436051/0  | Plate                  |                               |                                |                              |
| 7       | 1   | 122446193/0  | Spring                 |                               |                                |                              |
| 8       | 1   | 381302851/0  | Rear Wheel Axle        |                               |                                | To S/N<br>20BA2WBH<br>045270 |
| 8       | 1   | 381302851/1  | Rear Wheel Axle        |                               | From S/N<br>20BA2WBH<br>045271 |                              |
| 9       | 1   | 381003356/0  | Wheels Rear Adj. Lever |                               | From S/N<br>20BA2WBH<br>045271 | To S/N<br>20BA2WBH<br>045270 |
| 9       | 1   | 381003356/1  | Wheels Rear Adj. Lever |                               | From S/N<br>20BA2WBH<br>076281 |                              |
| 10      | 1   | 122534131/0  | Pin                    |                               |                                |                              |
| 11      | 1   | 122446192/0  | Spring                 |                               |                                |                              |
| 12      | 1   | 112154510/0  | Nut                    |                               |                                |                              |
| 13      | 2   | 322785500/0  | Support                |                               |                                |                              |
| 14      | 1   | 181003134/0  | Gear Box               |                               |                                |                              |
| 15      | 1   | 122753000/0  | Pin                    |                               |                                |                              |
| 16      | 1   | 122570110/1  | Right Pinion           |                               |                                |                              |
| 17      | 1   | 122570120/1  | Left Pinion            |                               |                                |                              |
| 18      | 4   | 112608600/0  | Seeger                 |                               |                                |                              |
| 19      | 2   | 322042066/0  | Bushing                |                               |                                |                              |
| 20      | 2   | 112521371/0  | Washer                 |                               |                                |                              |
| 22      | 1   | 1111-9123-01 | Drive Belt             | Stiga Packed into 135063800/0 |                                |                              |
| 22      | 1   | 135063800/0  | Trapezoidal Belt       |                               |                                |                              |
| 23      | 1   | 122430254/0  | Spring                 |                               |                                |                              |
| 24      | 1   | 322778473/1  | Bracket                |                               |                                |                              |
| 25      | 2   | 112728699/0  | Screw                  |                               |                                |                              |



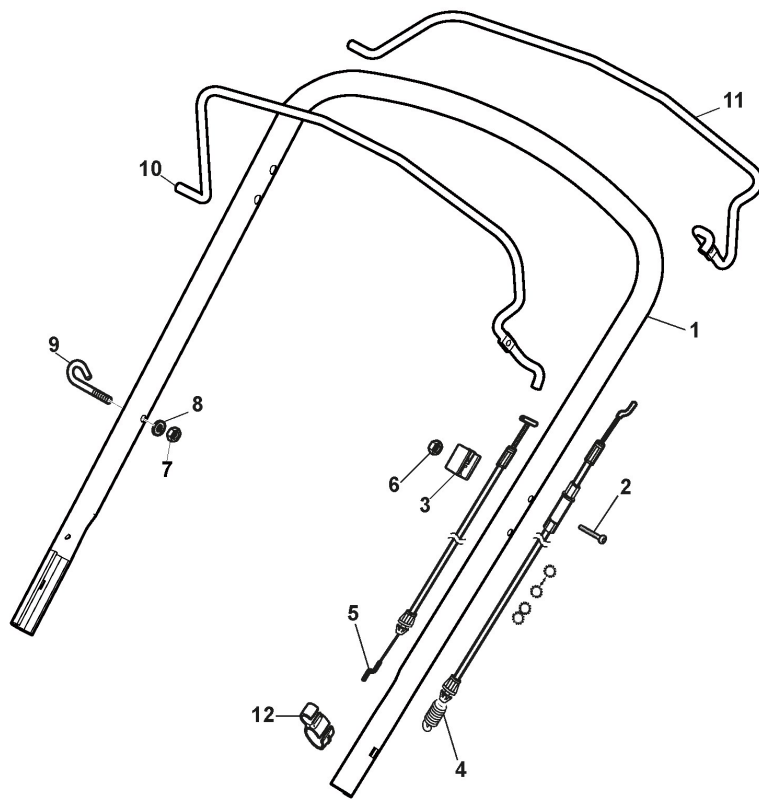
# Mask

| Ref.nr. | Qty | Item number | Description | Notes | From | Up to |
|---------|-----|-------------|-------------|-------|------|-------|
| 1       | 2   | 112735410/0 | Screw       |       |      |       |
| 2       | 1   | 322226292/0 | Mask, Black | Black |      |       |
| 3       | 1   | 322393780/0 | Insert      |       |      |       |



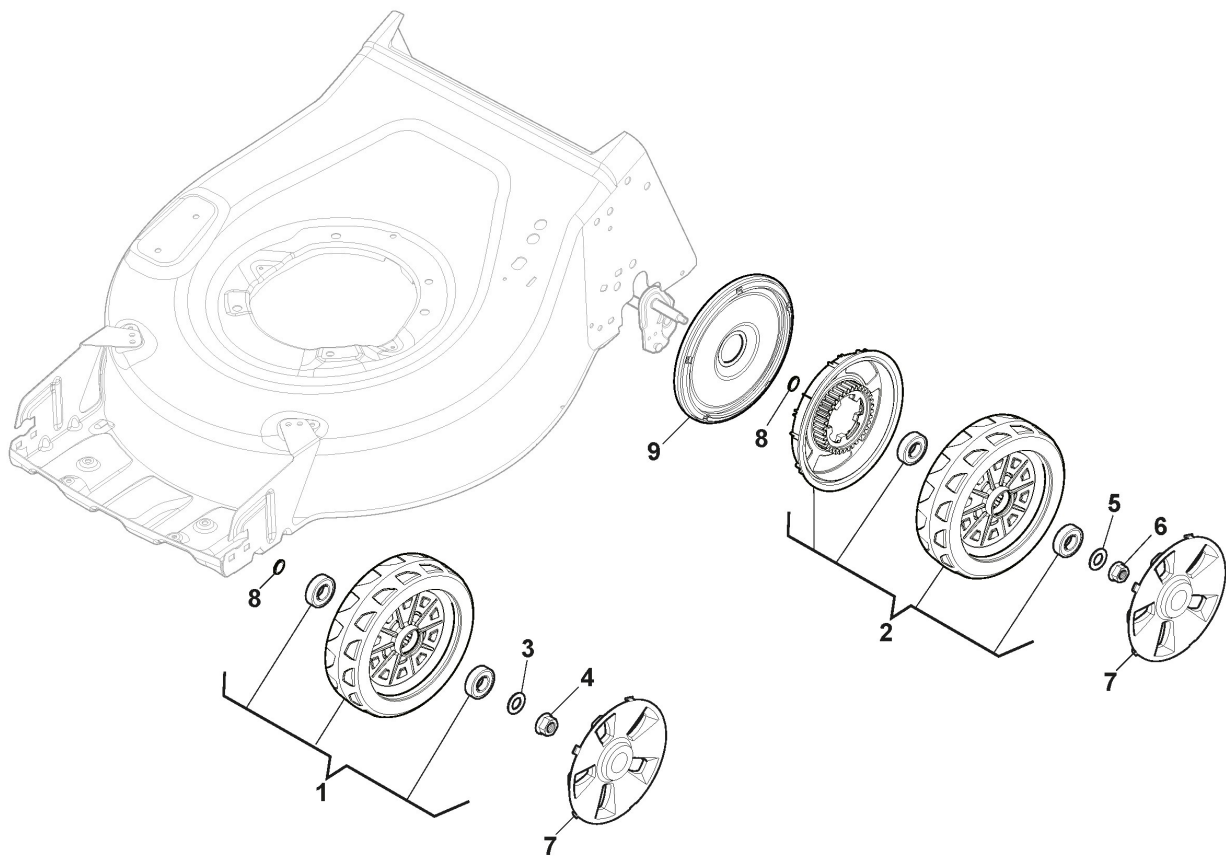
## Handle, Lower Part

| Ref.nr. | Qty | Item number | Description              | Notes | From | Up to |
|---------|-----|-------------|--------------------------|-------|------|-------|
| 1       | 1   | 381007645/0 | Handle, Lower Part Black | Black |      |       |
| 7       | 4   | 322545189/0 | Plate                    |       |      |       |
| 8       | 4   | 112521350/0 | Washer                   |       |      |       |
| 9       | 4   | 112792611/0 | Screw                    |       |      |       |
| 10      | 2   | 112819121/0 | Screw                    |       |      |       |
| 11      | 2   | 122671651/0 | Washer                   |       |      |       |
| 12      | 2   | 122399900/0 | Black Knob               | Black |      |       |
| 13      | 1   | 381108602/1 | Outfit, Screws           | Black |      |       |



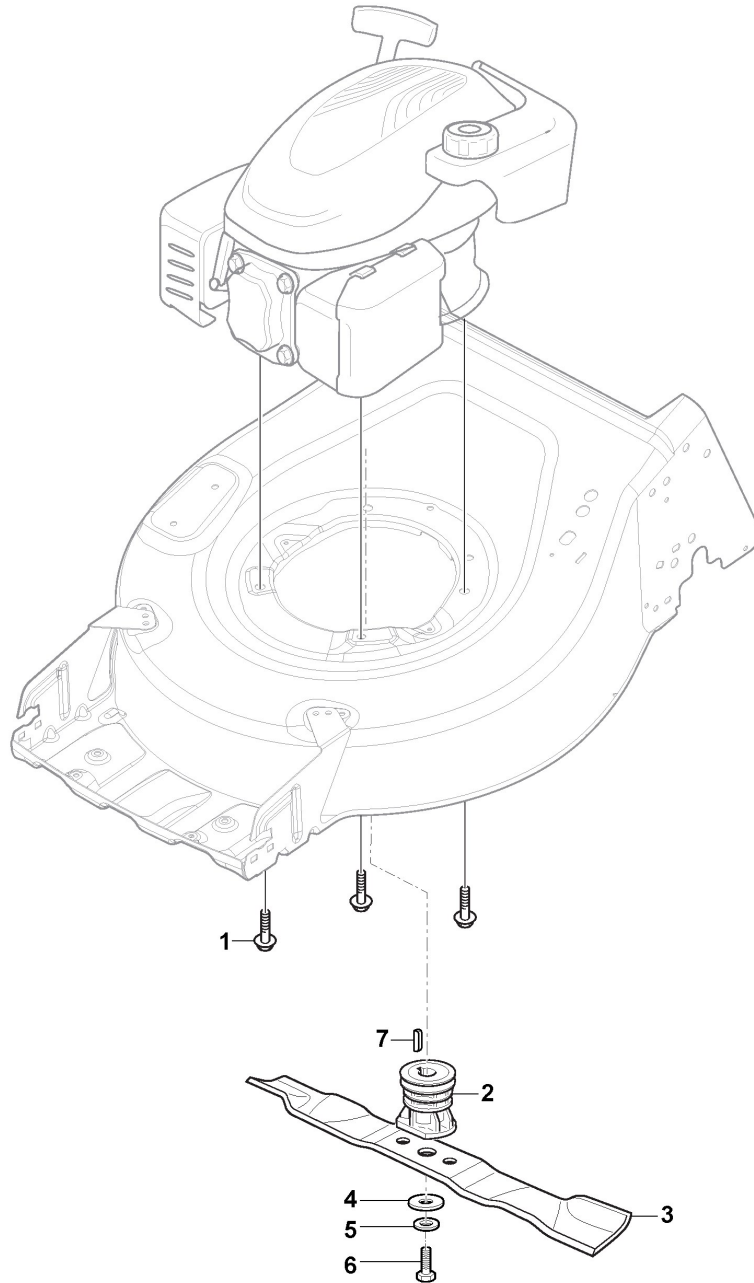
# Handle, Upper Part

| Ref.nr. | Qty | Item number | Description                | Notes  | From                 | Up to                    |
|---------|-----|-------------|----------------------------|--------|----------------------|--------------------------|
| 1       | 1   | 381006740/0 | Handle, Upper Part         | Black  |                      |                          |
| 2       | 1   | 112727783/0 | Screw                      |        |                      |                          |
| 3       | 1   | 322551640/0 | Cable Holder               |        |                      |                          |
| 3       | 1   | 322551685/0 | Cable Holder ø22           |        | From S/N<br>20AA2WBH | To S/N<br>066503         |
| 4       | 1   | 381030141/0 | Cable Rear Drive           |        |                      |                          |
| 5       | 1   | 181030088/0 | Cable, Thread Engine Brake |        |                      |                          |
| 6       | 1   | 112154510/0 | Nut                        |        |                      |                          |
| 7       | 1   | 112154510/0 | Nut                        |        |                      |                          |
| 8       | 1   | 112521330/0 | Washer                     |        |                      |                          |
| 9       | 1   | 122430313/0 | Guide Spring               |        |                      |                          |
| 10      | 1   | 381003394/0 | Lever, Engine Brake Yellow | Yellow |                      |                          |
| 10      | 1   | 381003394/1 | Lever, Engine Brake Yellow | Yellow | From                 | To<br>31-August-<br>2019 |
| 11      | 1   | 381003395/0 | Lever, Driving Yellow      | Yellow |                      |                          |
| 12      | 1   | 118390020/0 | Conduit Clip               |        |                      |                          |



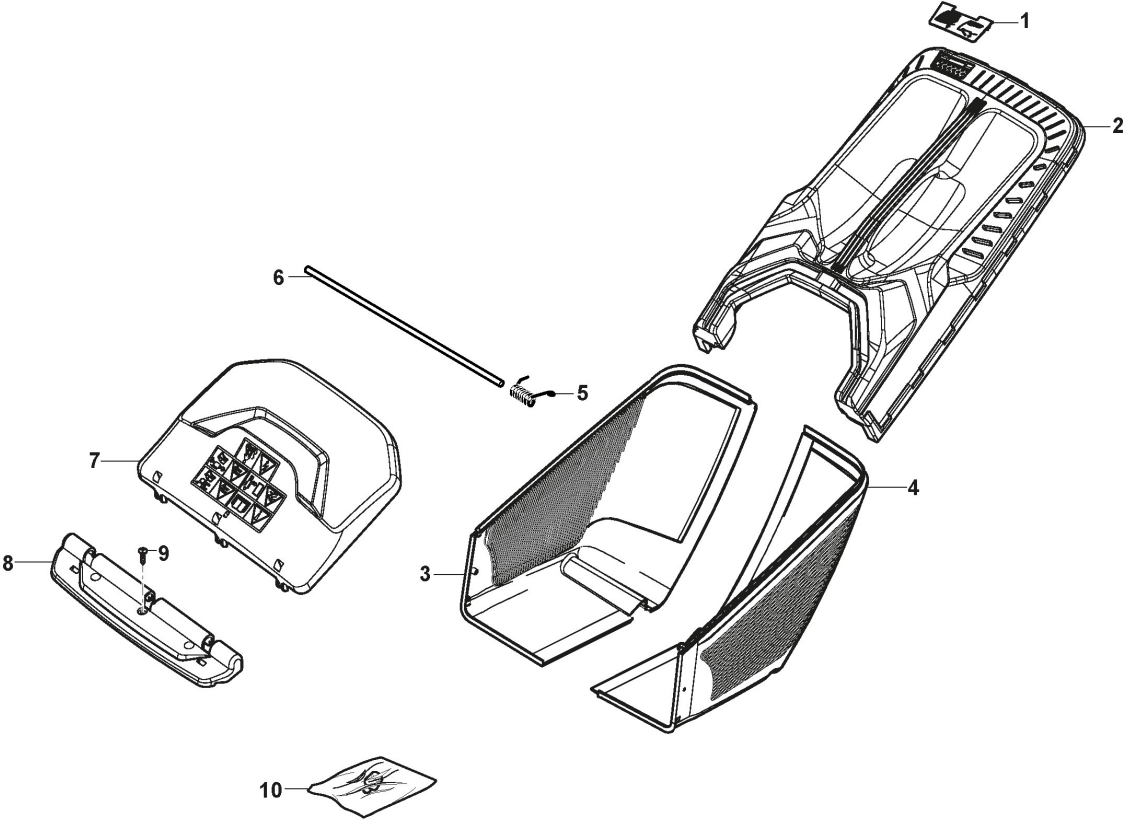
## Wheel and Hub Cap

| Ref.nr. | Qty | Item number | Description       | Notes                      | From | Up to |
|---------|-----|-------------|-------------------|----------------------------|------|-------|
| 1       | 2   | 381007814/0 | Wheel ø200        | Only bearings NOT bushings |      |       |
| 2       | 2   | 381007815/0 | Wheel ø200        | Only bearings NOT bushings |      |       |
| 3       | 2   | 112523050/0 | Washer            |                            |      |       |
| 4       | 2   | 112155000/0 | Nut               |                            |      |       |
| 5       | 2   | 112521350/0 | Washer            |                            |      |       |
| 6       | 2   | 112155000/0 | Nut               |                            |      |       |
| 7       | 4   | 322110643/0 | Hub Cap Grey      |                            |      |       |
| 8       | 4   | 321660100/0 | Washer            | Only with bearings         |      |       |
| 9       | 2   | 322600239/0 | Protection, Wheel |                            |      |       |



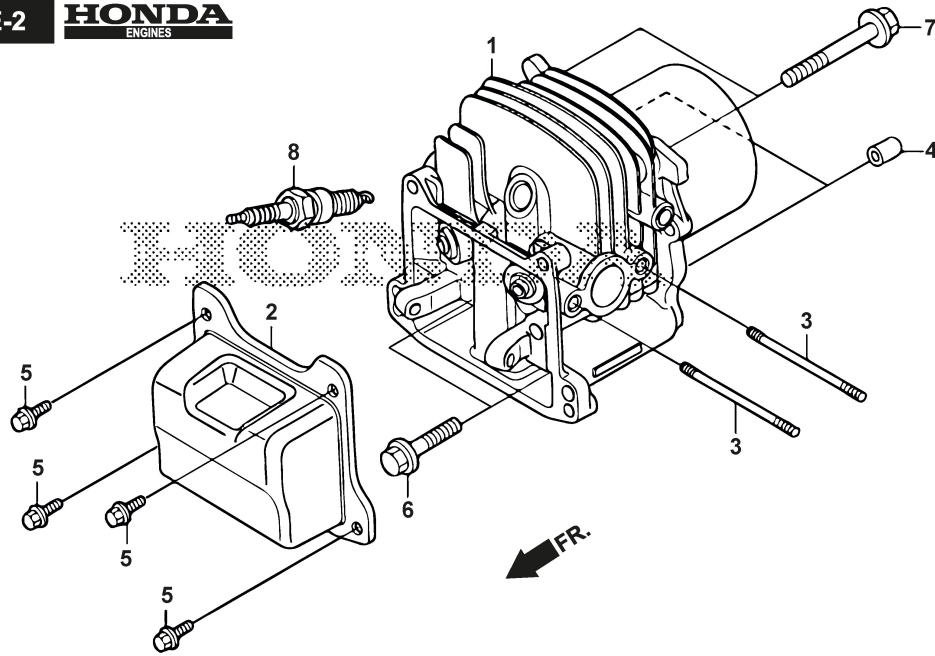
# Blade

| Ref.nr. | Qty | Item number  | Description                      | Notes                         | From | Up to |
|---------|-----|--------------|----------------------------------|-------------------------------|------|-------|
| 1       | 3   | 112735108/1  | Screw                            |                               |      |       |
| 2       | 1   | 1111-9180-01 | Blade Holder                     | Stiga Packed into 122465608/3 |      |       |
| 2       | 1   | 122465608/3  | Hub With Pulley, Crankshaft Ø 25 |                               |      |       |
| 3       | 1   | 1111-9121-02 | Blade                            | Stiga Packed into 181004346/3 |      |       |
| 3       | 1   | 181004346/3  | Left Mulching, Blade             |                               |      |       |
| 4       | 1   | 122160400/0  | Elastic Disc                     |                               |      |       |
| 5       | 1   | 112523080/0  | Washer                           |                               |      |       |
| 6       | 1   | 112735698/0  | Screw                            |                               |      |       |
| 7       | 1   | 112139150/0  | Feather, Crankshaft Ø 25         |                               |      |       |



# Grass-Catcher

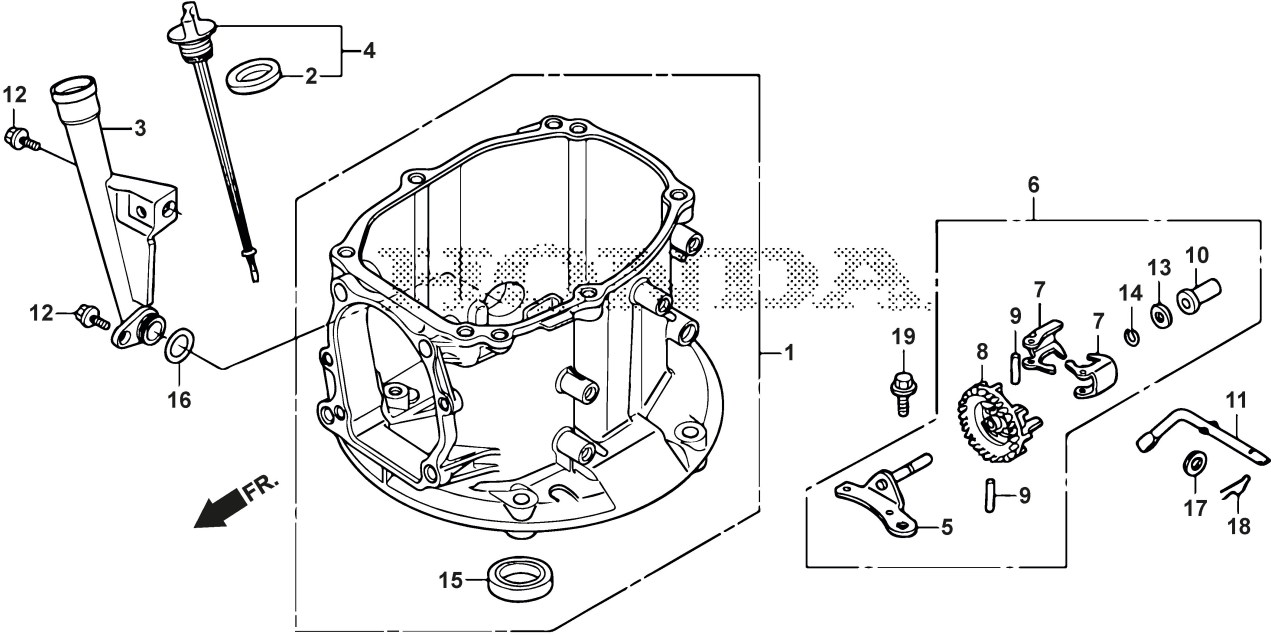
| Ref.nr. | Qty | Item number | Description                 | Notes  | From | Up to |
|---------|-----|-------------|-----------------------------|--|------|-------|
| 1       | 1   | 322486497/0 | Rear door                   | Grey   |      |       |
| 2       | 1   | 322486496/0 | Grass-Box, Upper Part       | Grey   |      |       |
| 3       | 1   | 322486150/1 | Grass-Box, Right Lower Part | Black  |      |       |
| 4       | 1   | 322486151/1 | Grass-Box, Left Lower Part  | Black  |      |       |
| 5       | 2   | 122450479/0 | Spring                      |  |      |       |
| 6       | 1   | 122517884/0 | Pin                         |  |      |       |
| 7       | 1   | 322600355/1 | Stone Guard, Black          | Black  |      |       |
| 8       | 1   | 322109594/0 | Stone Guard Support, Black  | Black  |      |       |
| 9       | 1   | 112728697/0 | Screw                       |  |      |       |
| 10      | 1   | 381008735/0 | Outfit, Plastic Pin         | Only Plastic Pin - Plastic Pin is also available on the screw pocket |      |       |



## Cylinder Head

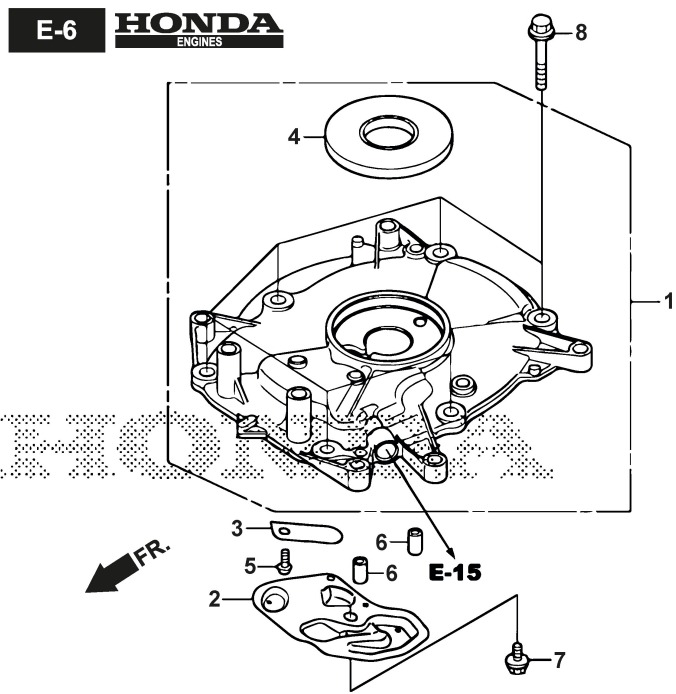
| Ref.nr. | Qty | Item number | Description                | Notes                                     | From | Up to |
|---------|-----|-------------|----------------------------|---|------|-------|
| 1       | 1   | 118551727/0 | Cylinder Comp.             | Honda: 12100-Z9P-405                      |      |       |
| 2       | 1   | 118551642/0 | Cover, Head                | Honda: 12311-Z9L-000                      |      |       |
| 3       | 2   | 118552227/0 | Bolt, Stud, 6X82 (Ct200)   | Honda: 90043-Z9L-000                      |      |       |
| 4       | 2   | HONDA_SP    | Honda Spare Parts          | Honda: 94301-08140 - DOWEL PIN, 8X14      |      |       |
| 5       | 4   | HONDA_SP    | Honda Spare Parts          | Honda: 95701-0601408 - BOLT, FLANGE, 6X14 |      |       |
| 6       | 2   | HONDA_SP    | Honda Spare Parts          | Honda: 95701-0802508 - BOLT, FLANGE, 8X25 |      |       |
| 7       | 2   | HONDA_SP    | Honda Spare Parts          | Honda: 95701-0804008 - BOLT, FLANGE, 8X40 |      |       |
| 8       | 1   | 118552279/0 | Plug, Spark (Bpr5Es) (Ngk) | Honda: 98079-55846                        |      |       |

**E-3** **HONDA**  
ENGINES



# Crankcase

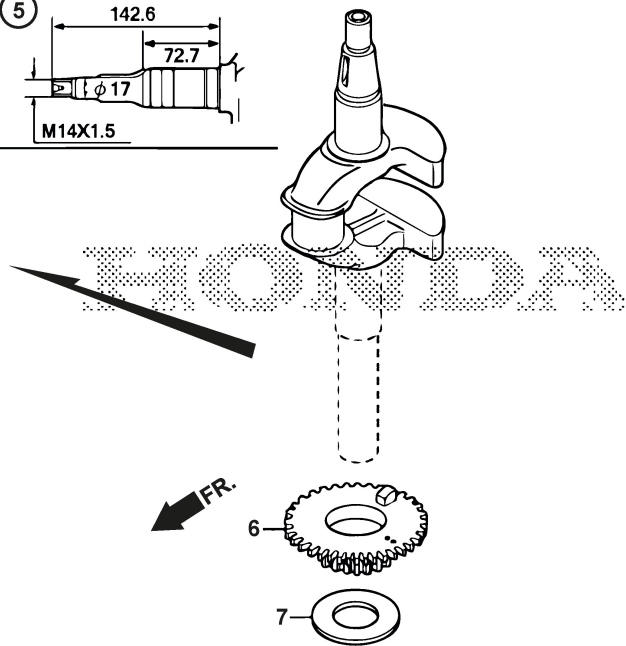
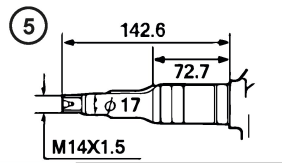
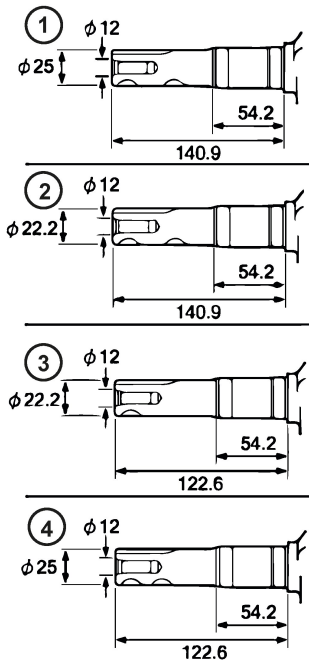
| Ref.nr. | Qty | Item number | Description            | Notes   | From | Up to |
|---------|-----|-------------|------------------------|---|------|-------|
| 1       | 1   | 118551712/0 | Crankcase Assy.        | Honda: 11100-Z9L-415                                |      |       |
| 2       | 1   | HONDA_SP    | Honda Spare Parts      | Honda: 15625-ZE6-000 - PACKING, OIL FILLER CAP      |      |       |
| 3       | 1   | 118551912/0 | Extension, Oil Filler  | Honda: 15631-Z9L-000                                |      |       |
| 4       | 1   | 118551917/0 | Gauge Assy., Oil Level | Honda: 15650-Z9L-000                                |      |       |
| 5       | 1   | HONDA_SP    | Honda Spare Parts      | Honda: 16508-ZM0-010 - SHAFT COMP., GOVERNOR HOLDER |      |       |
| 6       | 1   | 118551971/0 | Governor Assy.         | Honda: 16510-ZM0-010                                |      |       |
| 7       | 2   | HONDA_SP    | Honda Spare Parts      | Honda: 16511-ZL8-000 - WEIGHT, GOVERNOR             |      |       |
| 8       | 1   | HONDA_SP    | Honda Spare Parts      | Honda: 16512-ZM0-000 - HOLDER, GOVERNOR WEIGHT      |      |       |
| 9       | 2   | HONDA_SP    | Honda Spare Parts      | Honda: 16513-ZE1-000 - PIN, GOVERNOR WEIGHT         |      |       |
| 10      | 1   | 118551973/0 | Slider, Governor       | Honda: 16531-Z1T-000                                |      |       |
| 11      | 1   | 118551977/0 | Shaft, Governor Arm    | Honda: 16541-Z9L-000                                |      |       |
| 12      | 2   | HONDA_SP    | Honda Spare Parts      | Honda: 90013-ZL8-000 - BOLT, FLANGE, 6X14 (CT200)   |      |       |
| 13      | 1   | HONDA_SP    | Honda Spare Parts      | Honda: 90451-Z1T-000 - WASHER, THRUST, 6MM          |      |       |
| 14      | 1   | 118552244/0 | Clip, Governor Holder  | Honda: 90602-ZE1-000                                |      |       |
| 15      | 1   | 118552254/0 | Oil Seal, 28X41.25X6   | Honda: 91202-Z9L-003                                |      |       |
| 16      | 1   | 118552262/0 | O-Ring, 19.1X2.2       | Honda: 91301-Z9L-000                                |      |       |
| 17      | 1   | 118552273/0 | Washer, Plain, 6Mm     | Honda: 94101-06800                                  |      |       |
| 18      | 1   | HONDA_SP    | Honda Spare Parts      | Honda: 94251-08000 - PIN, LOCK, 8MM                 |      |       |
| 19      | 1   | HONDA_SP    | Honda Spare Parts      | Honda: 95701-0601408 - BOLT, FLANGE, 6X14           |      |       |



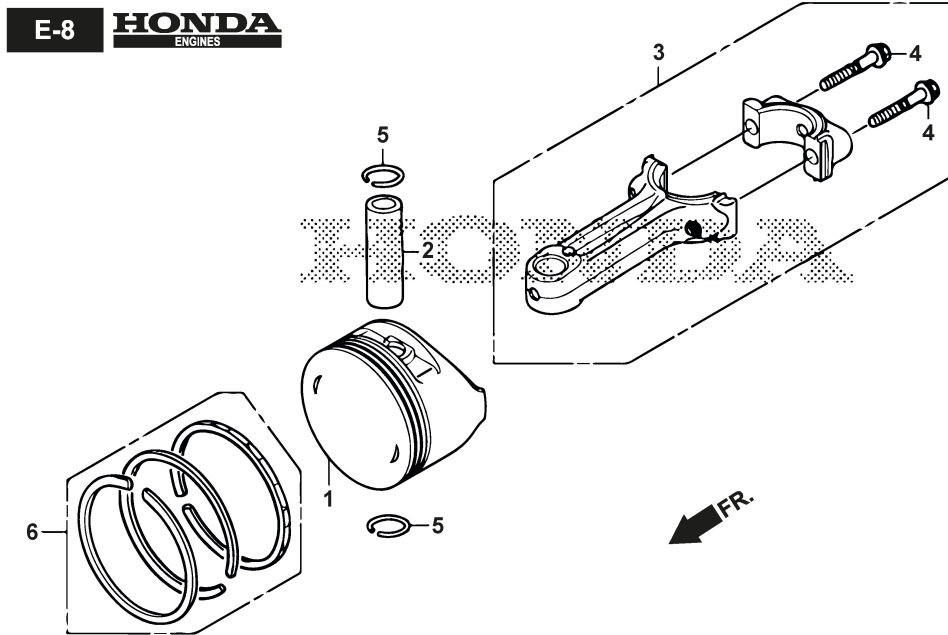
## Crankcase Cover

| Ref.nr. | Qty | Item number | Description            | Notes                                     | From | Up to |
|---------|-----|-------------|------------------------|---|------|-------|
| 1       | 1   | 118551717/0 | Cover Assy., Crankcase | Honda: 11300-Z9L-405                      |      |       |
| 2       | 1   | 118551750/0 | Cover, Breather        | Honda: 12356-Z9L-000                      |      |       |
| 3       | 1   | 118551757/0 | Plate, Valve           | Honda: 12377-Z9L-000                      |      |       |
| 4       | 1   | 118552249/0 | Oil Seal, 25.4X62X6    | Honda: 91201-Z0Y-003                      |      |       |
| 5       | 1   | HONDA_SP    | Honda Spare Parts      | Honda: 93500-050080A - SCREW, PAN, 5X8    |      |       |
| 6       | 2   | HONDA_SP    | Honda Spare Parts      | Honda: 94301-08140 - DOWEL PIN, 8X14      |      |       |
| 7       | 1   | HONDA_SP    | Honda Spare Parts      | Honda: 95701-0601408 - BOLT, FLANGE, 6X14 |      |       |
| 8       | 6   | HONDA_SP    | Honda Spare Parts      | Honda: 95701-0802508 - BOLT, FLANGE, 8X25 |      |       |

**E-7** **HONDA**  
ENGINES

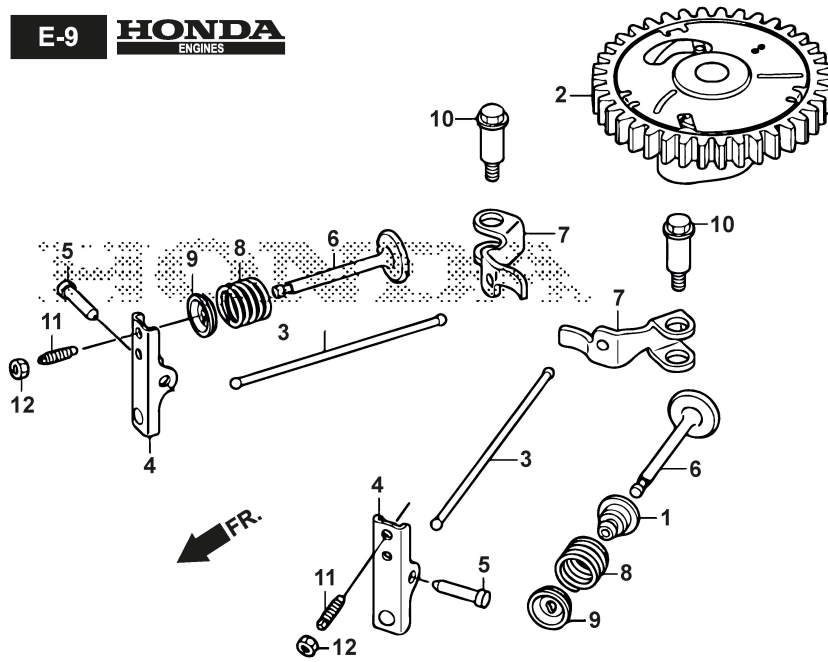






## Piston/Connecting Rod

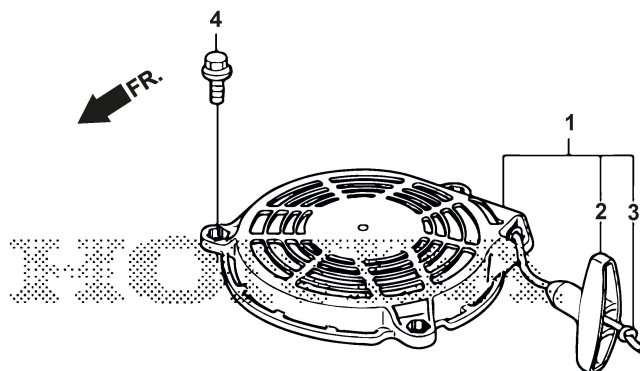
| Ref.nr. | Qty | Item number | Description            | Notes  | From | Up to |
|---------|-----|-------------|------------------------|--|------|-------|
| 1       | 1   | 118551778/0 | Piston                 | Honda: 13101-Z9P-000                           |      |       |
| 2       | 1   | 118551785/0 | Pin, Piston            | Honda: 13111-ZE0-000                           |      |       |
| 3       | 1   | 118551794/0 | Rod Assy., Connecting  | Honda: 13200-Z9L-000                           |      |       |
| 4       | 2   | HONDA_SP    | Honda Spare Parts      | Honda: 90001-Z1L-000 - BOLT,<br>CONNECTING ROD |      |       |
| 5       | 2   | 118552241/0 | Clip, Piston Pin, 13Mm | Honda: 90551-ZE0-000                           |      |       |
| 6       | 1   | 118551768/0 | Ring Set, Piston       | Honda: 13010-Z9P-003                           |      |       |



# Camshaft

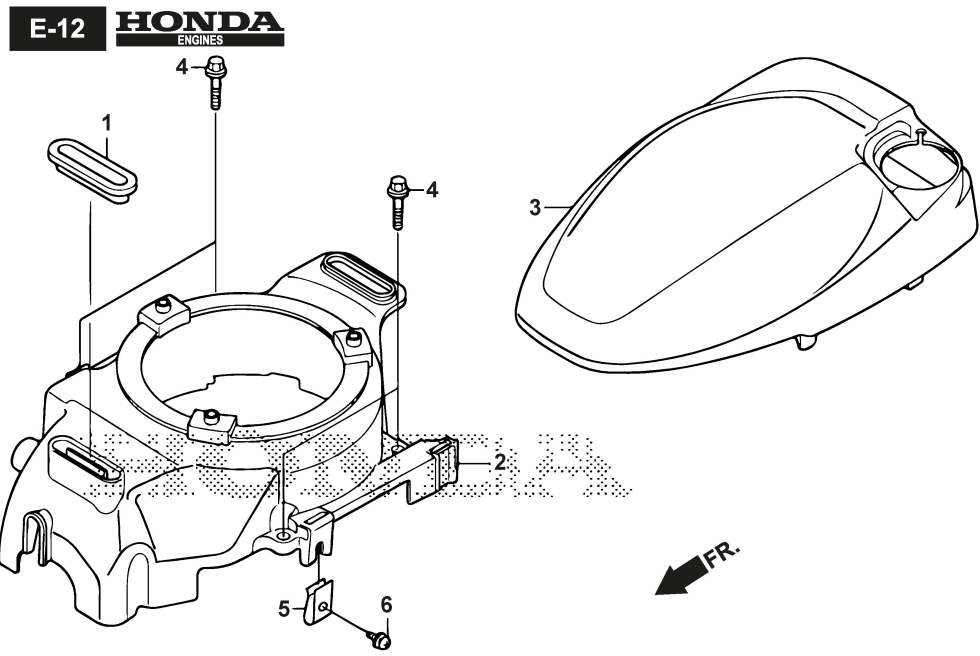
| Ref.nr. | Qty | Item number | Description             | Notes                | From | Up to |
|---------|-----|-------------|-------------------------|----------------------|------|-------|
| 1       | 1   | 118551737/0 | Seal, Valve Stem        | Honda: 12209-Z8B-003 |      |       |
| 2       | 1   | 118551812/0 | Camshaft Assy.          | Honda: 14100-Z9L-000 |      |       |
| 3       | 2   | 118551829/0 | Rod, Push               | Honda: 14410-Z9L-000 |      |       |
| 4       | 2   | 118551835/0 | Arm, Valve Rocker       | Honda: 14431-Z9L-000 |      |       |
| 5       | 2   | 118551845/0 | Shaft, Rocker Arm       | Honda: 14461-Z9L-000 |      |       |
| 6       | 2   | 118551852/0 | Valve, In.              | Honda: 14711-Z9L-000 |      |       |
| 7       | 2   | 118551866/0 | Lifter, Valve           | Honda: 14731-Z9L-000 |      |       |
| 8       | 2   | 118551874/0 | Spring, Valve           | Honda: 14751-ZL8-000 |      |       |
| 9       | 2   | 118551875/0 | Retainer, Valve Spring  | Honda: 14771-Z0J-000 |      |       |
| 10      | 2   | 118552217/0 | Bolt, Shoulder, 6Mm     | Honda: 90001-Z9L-000 |      |       |
| 11      | 2   | 118552222/0 | Screw, Tappet Adjusting | Honda: 90012-ZCJ-000 |      |       |
| 12      | 2   | 118552231/0 | Nut, Tappet Adjusting   | Honda: 90206-Z6L-000 |      |       |

**E-11** **HONDA**  
ENGINES



# Recoil Starter

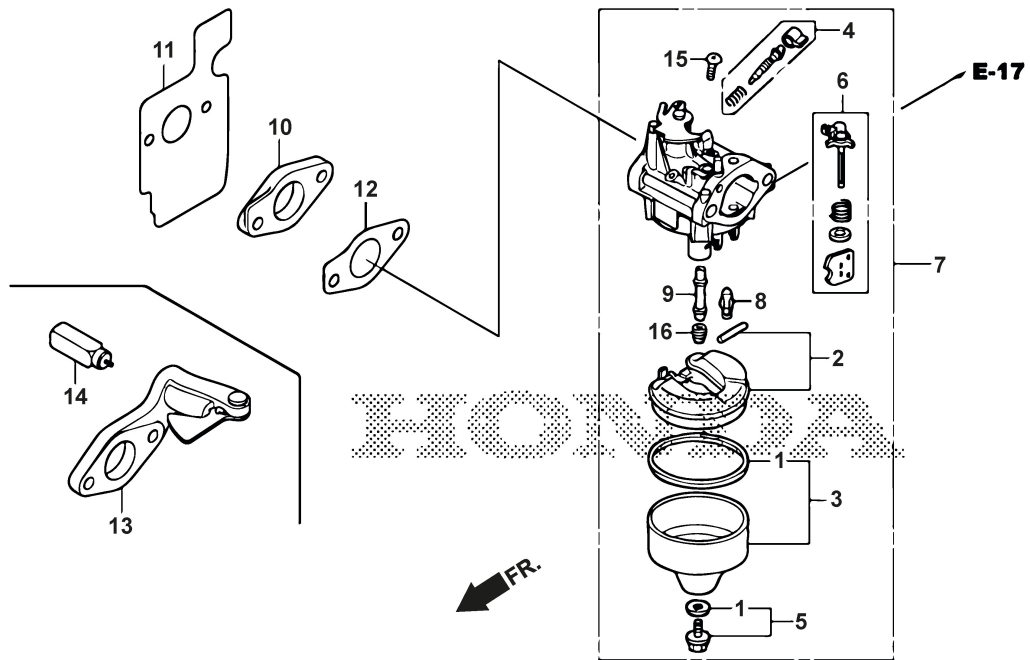
| Ref.nr. | Qty | Item number | Description                       | Notes  | From | Up to |
|---------|-----|-------------|-----------------------------------|--|------|-------|
| 1       | 1   | 118551689/0 | Starter Assy., Recoil (Long Rope) | Honda: 28400-Z9L-004                                       |      |       |
| 2       | 1   | 118552162/0 | Grip, Starter                     | Honda: 28461-ZL8-003                                       |      |       |
| 3       | 1   | HONDA_SP    | Honda Spare Parts                 | Honda: 28462-Z0L-V71 - ROPE,<br>RECOIL STARTER (LONG TYPE) |      |       |
| 4       | 3   | HONDA_SP    | Honda Spare Parts                 | Honda: 95701-0601408 - BOLT,<br>FLANGE, 6X14               |      |       |



# Fan Cover

| Ref.nr. | Qty | Item number | Description             | Notes   | From | Up to |
|---------|-----|-------------|-------------------------|---|------|-------|
| 1       | 1   | 118552056/0 | Rubber A, Tank Mounting | Honda: 17532-Z9L-000                              |      |       |
| 2       | 1   | 118552104/0 | Cover Comp., Fan        | Honda: 19610-Z9L-000                              |      |       |
| 4       | 4   | HONDA_SP    | Honda Spare Parts       | Honda: 90018-ZE1-000 - BOLT, FLANGE, 6X23 (CT200) |      |       |
| 5       | 1   | HONDA_SP    | Honda Spare Parts       | Honda: 90320-GC3-000 - NUT, SPRING, 5MM           |      |       |
| 6       | 1   | HONDA_SP    | Honda Spare Parts       | Honda: 93891-0500807 - SCREW-WASHER, 5X8          |      |       |

**E-14** **HONDA**  
ENGINES



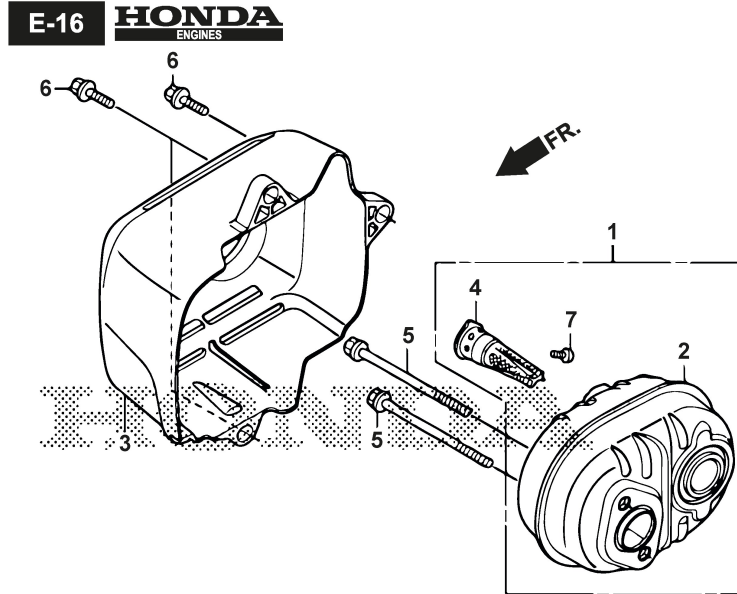
# Carburetor

| Ref.nr. | Qty | Item number | Description                | Notes                                  | From | Up to |
|---------|-----|-------------|----------------------------|--|------|-------|
| 1       | 1   | HONDA_SP    | Honda Spare Parts          | Honda: 16010-Z9L-811 - GASKET SET      |      |       |
| 2       | 1   | 118551931/0 | Float Set                  | Honda: 16013-ZL1-003                   |      |       |
| 3       | 1   | 118551934/0 | Chamber Set, Float         | Honda: 16015-Z9L-811                   |      |       |
| 4       | 1   | HONDA_SP    | Honda Spare Parts          | Honda: 16016-Z0Y-841 - SCREW SET       |      |       |
| 5       | 1   | 118551937/0 | Screw Set                  | Honda: 16028-ZK7-S91                   |      |       |
| 6       | 1   | HONDA_SP    | Honda Spare Parts          | Honda: 16044-Z9L-811 - CHOKE SET       |      |       |
| 7       | 1   | 118551662/0 | Carburetor Assy. (Bb77A A) | Honda: 16100-Z9P-811                   |      |       |
| 8       | 1   | HONDA_SP    | Honda Spare Parts          | Honda: 16155-ZM0-013 - VALVE, FLOAT    |      |       |
| 9       | 1   | HONDA_SP    | Honda Spare Parts          | Honda: 16166-Z9P-811 - NOZZLE, MAIN    |      |       |
| 11      | 1   | 118551948/0 | Packing, Insulator         | Honda: 16212-Z9L-000                   |      |       |
| 12      | 1   | 118551957/0 | Packing, Carburetor        | Honda: 16221-Z9L-000                   |      |       |
| 13      | 1   | 118552012/0 | Control Assy., Choke       | Honda: 16600-Z9L-000                   |      |       |
| 14      | 1   | 118552015/0 | Thermowax Assy.            | Honda: 16620-Z9L-003                   |      |       |
| 15      | 1   | HONDA_SP    | Honda Spare Parts          | Honda: 93500-050061H - SCREW, PAN, 5X6 |      |       |
| 16      | -1  | HONDA_SP    | Honda Spare Parts          | Honda: 99101-1240620 - JET, MAIN, #62  |      |       |
| 16      | -1  | HONDA_SP    | Honda Spare Parts          | Honda: 99101-1240600 - JET, MAIN, #60  |      |       |
| 16      | 1   | HONDA_SP    | Honda Spare Parts          | Honda: 99101-1240650 - JET, MAIN, #65  |      |       |



## Air Cleaner

| Ref.nr. | Qty | Item number | Description                        | Notes                                      | From | Up to |
|---------|-----|-------------|------------------------------------|--|------|-------|
| 1       | 1   | 118551923/0 | Tube, Breather                     | Honda: 15721-Z9L-000                       |      |       |
| 3       | 1   | 118551671/0 | Element, Air Cleaner (Wix Filters) | Honda: 17211-Z8B-901                       |      |       |
| 4       | 1   | 118552035/0 | Case Comp., Air Cleaner            | Honda: 17220-Z9L-000                       |      |       |
| 6       | 1   | 118552039/0 | Packing, Air Cleaner               | Honda: 17228-Z9L-000                       |      |       |
| 7       | 1   | 118551680/0 | Cover, Air Cleaner                 | Honda: 17231-Z9L-000                       |      |       |
| 8       | 2   | HONDA_SP    | Honda Spare Parts                  | Honda: 17238-Z9L-300 - COLLAR, AIR CLEANER |      |       |
| 8       | 2   | HONDA_SP    | Honda Spare Parts                  | Honda: 17238-ZG9-M00 - COLLAR, AIR CLEANER |      |       |
| 9       | 2   | HONDA_SP    | Honda Spare Parts                  | Honda: 94050-06000 - NUT, FLANGE, 6MM      |      |       |



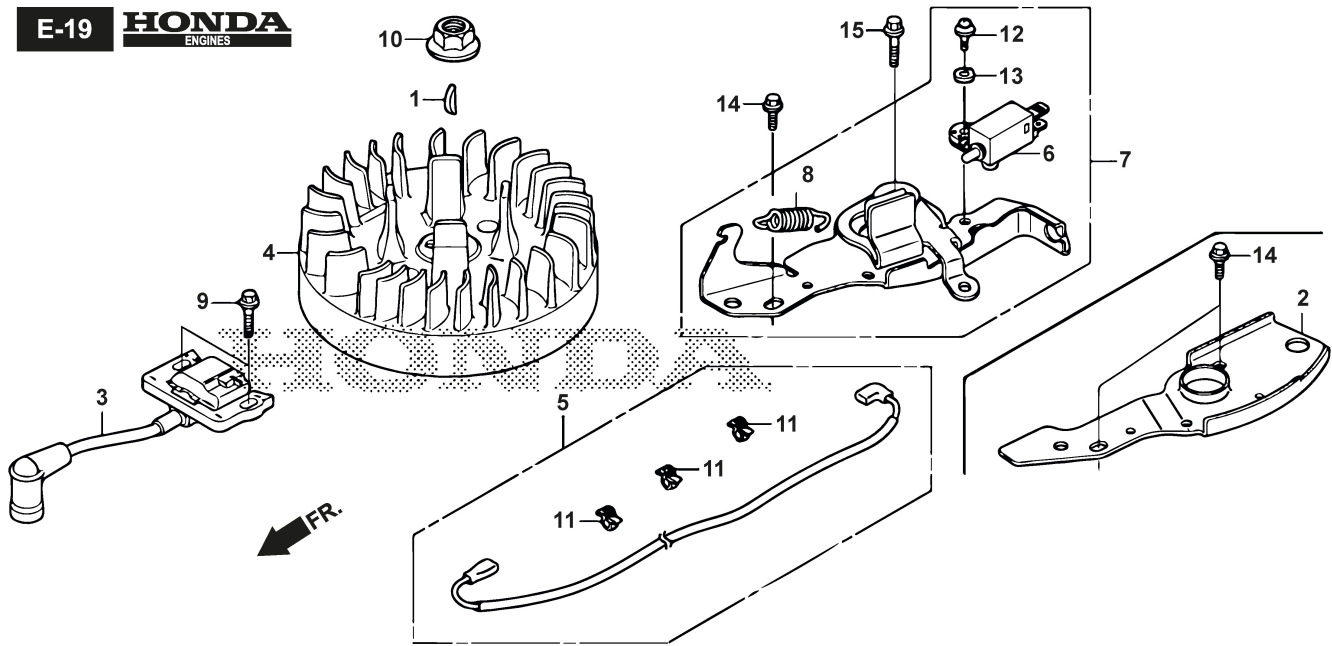
## Muffler

| Ref.nr. | Qty | Item number | Description                | Notes   | From | Up to |
|---------|-----|-------------|----------------------------|---|------|-------|
| 2       | 1   | 118552078/0 | Muffler Comp.              | Honda: 18310-Z9L-000                              |      |       |
| 3       | 1   | 118552081/0 | Protector Comp., Muffler   | Honda: 18320-Z9L-000                              |      |       |
| 5       | 2   | 118552219/0 | Bolt, Flange, 6X79 (Ct200) | Honda: 90004-ZL8-000                              |      |       |
| 6       | 3   | HONDA_SP    | Honda Spare Parts          | Honda: 90018-ZE1-000 - BOLT, FLANGE, 6X23 (CT200) |      |       |
| 8       | -1  | 118552087/0 | Gasket, Muffler            | Honda: 18381-ZL8-305                              |      |       |



## Fuel Tank

| Ref.nr. | Qty | Item number | Description             | Notes  | From | Up to |
|---------|-----|-------------|-------------------------|--|------|-------|
| 2       | 1   | 118552021/0 | Cock Assy., Fuel        | Honda: 16950-Z0Y-003   |      |       |
| 4       | 1   | 118552023/0 | Strainer, Fuel          | Honda: 16952-Z9R-000   |      |       |
| 5       | 1   | HONDA_SP    | Honda Spare Parts       | Honda: 16961-Z9L-000 - STAY, FUEL COCK                       |      |       |
| 6       | 1   | 118552050/0 | Tank, Fuel              | Honda: 17511-Z9L-800   |      |       |
| 7       | 2   | 118552056/0 | Rubber A, Tank Mounting | Honda: 17532-Z9L-000   |      |       |
| 8       | 2   | 118552059/0 | Rubber B, Tank Mounting | Honda: 17533-Z9L-000   |      |       |
| 9       | 1   | 118552063/0 | Stay, Fuel Tank         | Honda: 17561-Z9L-000   |      |       |
| 10      | 1   | 118551682/0 | Cap Assy., Fuel Tank    | Honda: 17620-Z9L-800   |      |       |
| 11      | 1   | HONDA_SP    | Honda Spare Parts       | Honda: 17622-888-010 - SPONGE, FUEL CAP BREATHER             |      |       |
| 14      | 4   | HONDA_SP    | Honda Spare Parts       | Honda: 90014-952-000 - BOLT, FLANGE, 6X14 (CT200)            |      |       |
| 17      | 1   | HONDA_SP    | Honda Spare Parts       | Honda: 93913-25220 - SCREW, TAPPING, 5X12 (PO)               |      |       |
| 18      | 1   | HONDA_SP    | Honda Spare Parts       | Honda: 95001-4511040 - TUBE, FUEL, 4.5X110 (95001-45001-60M) |      |       |
| 19      | 1   | HONDA_SP    | Honda Spare Parts       | Honda: 95001-7516040 - TUBE, FUEL, 7.3X160 (95001-75001-60M) |      |       |
| 20      | 2   | HONDA_SP    | Honda Spare Parts       | Honda: 95002-02080 - CLIP, TUBE (B8)                         |      |       |
| 22      | 2   | HONDA_SP    | Honda Spare Parts       | Honda: 95002-02120 - CLIP, TUBE (B12)                        |      |       |



# Flywheel

| Ref.nr. | Qty | Item number | Description                  | Notes   | From | Up to |
|---------|-----|-------------|------------------------------|---|------|-------|
| 1       | 1   | 118551807/0 | Key, Special Woodruff, 25X18 | Honda: 13331-Z8B-900                                      |      |       |
| 3       | 1   | 118551697/0 | Coil Assy., Ignition         | Honda: 30500-Z9L-004                                      |      |       |
| 4       | 1   | 118552176/0 | Flywheel Comp.               | Honda: 31110-Z9L-003                                      |      |       |
| 5       | 1   | 118552197/0 | Cord, Stop Switch            | Honda: 32195-Z9L-000                                      |      |       |
| 6       | 1   | 118552201/0 | Switch Assy., Engine Stop    | Honda: 35120-Z9L-003                                      |      |       |
| 7       | 1   | 118552210/0 | Brake Assy.                  | Honda: 75100-Z9L-010                                      |      |       |
| 8       | 1   | 118552213/0 | Spring, Brake Lever          | Honda: 75113-Z9L-020                                      |      |       |
| 9       | 2   | HONDA_SP    | Honda Spare Parts            | Honda: 90018-ZE1-000 - BOLT, FLANGE, 6X23 (CT200)         |      |       |
| 10      | 1   | HONDA_SP    | Honda Spare Parts            | Honda: 90213-Z9L-000 - NUT, FLANGE, 14MM                  |      |       |
| 11      | 3   | HONDA_SP    | Honda Spare Parts            | Honda: 91541-S0A-003 - CLIP, HARNESS BAND (BLACK) (145MM) |      |       |
| 12      | 1   | HONDA_SP    | Honda Spare Parts            | Honda: 93892-0401200 - SCREW-WASHER, 4X12                 |      |       |
| 13      | 1   | HONDA_SP    | Honda Spare Parts            | Honda: 94103-04000 - WASHER, PLAIN, 4MM                   |      |       |
| 14      | 1   | HONDA_SP    | Honda Spare Parts            | Honda: 95701-0601408 - BOLT, FLANGE, 6X14                 |      |       |
| 15      | 1   | HONDA_SP    | Honda Spare Parts            | Honda: 95701-0602208 - BOLT, FLANGE, 6X22                 |      |       |



## Control

| Ref.nr. | Qty | Item number | Description             | Notes  | From | Up to |
|---------|-----|-------------|-------------------------|--|------|-------|
| 1       | 1   | 118551981/0 | Arm, Governor           | Honda: 16551-Z9L-000                         |      |       |
| 2       | 1   | 118551987/0 | Rod, Governor           | Honda: 16555-Z9L-000                         |      |       |
| 3       | 1   | 118551996/0 | Spring, Governor        | Honda: 16561-Z9P-000                         |      |       |
| 4       | 1   | 118552001/0 | Spring, Throttle Return | Honda: 16562-Z9L-000                         |      |       |
| 16      | 1   | HONDA_SP    | Honda Spare Parts       | Honda: 90015-ZE5-010 - BOLT,<br>GOVERNOR ARM |      |       |
| 20      | 1   | HONDA_SP    | Honda Spare Parts       | Honda: 94050-06000 - NUT, FLANGE,<br>6MM     |      |       |