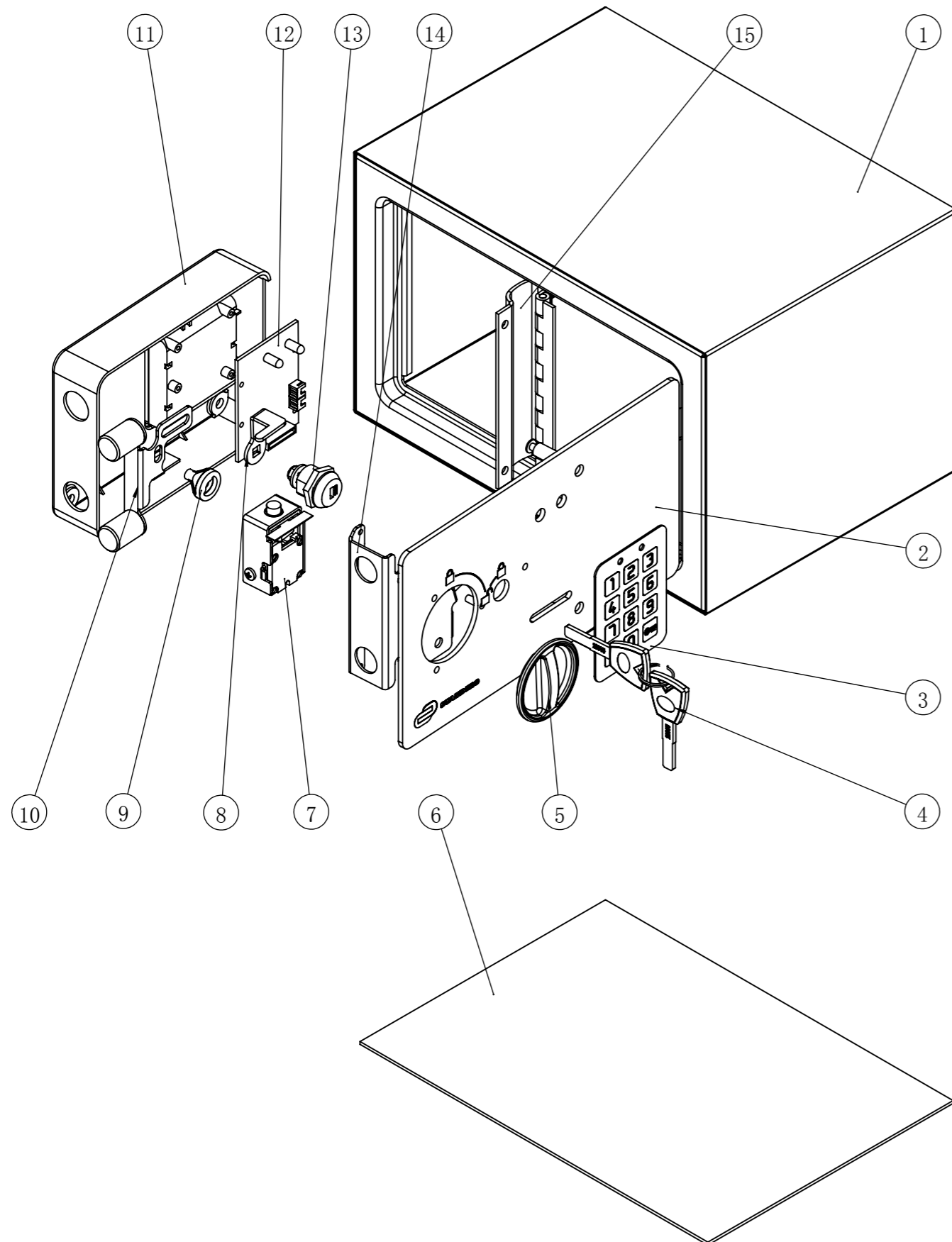


Tolerance(not marked)ISO 2768-M			
> 0.5-3	±0.1	> 30-120	±0.3
> 3-6	±0.1	> 120-400	±0.8
> 6-30	±0.2	> 400-1200	±1



15	Hinge	Q235	1	155g±15g	Thickness 1.5mm	B-1781-0140
14	Lock installing Plate	Q235	1	89g±9g		B-1787-0900
13	Override lock(L)	Zinc Alloy	1	30.4g±3g		B-1787-1100
12	Circuit Board	FR-1	1	14.8g±1.5g		B-1787-0500
11	Back cover	ABS	1	84g±8g	HxWxD:113x147x34.5 Thickness 2mm	B-1787-0300
10	Bolt work	Q235	1	92g±9.2g		B-1787-0600
9	Cam	Nylon	1	2g±0.2g		B-1787-1400
8	Plectrum	Q235	1	8.1g±0.8g		B-1787-0800
7	Solenoid	ABS, Cu, Al, Q235	1	75g±0.8g		B-1787-1600
6	Carpet	Polyester	1	9.5g±1g	Thickness 2mm	B-1781-2500
5	Knob	ABS	1	6.6g±0.6g	Diameter:50mm	B-1787-0700
4	Key	ABS, Cu	2	21g±2g		B-1787-1200
3	Keypad	PC	1	6g±0.6g	HxW:80x60 Thickness 1mm	B-1787-0400
2	Door Assembling	Q235	1	624.5g±31g	HxW:134x234 Thickness 3mm	B-1787-0200
1	Safe Body	Q235	1	2302.6g±115g	HxWxD:180x280x200 Thickness 1mm	B-1787-0100
NO.	Part Name	Material	QTY	Weight	Size&Spec	DWG NO.

L1 9L Electronic lock				Material grade		
Exploded View		Weight		3520.5g±176g		Coating
Matrix code	2022R10P04-0005					
EAN	3276007312553					
Format	A3	A0	15/4/2021	Drawing creation		ChenJiangnan Smith
Scale	1:3	Rev.	Date	Update description		Done by Checked by
Supplier's company name		PREGEX		PREGEX		
Supplier's reference		ENL1				