

A. 控制 Control

S/N(序号)	Figure number(图号)	English name(英文名称)	qty(数量)	material(材料)
1	115001	brake pedal	1	NR
2	111060	brake assy	1	Fe
3	Y01508	gear cap	1	PP
4	Y01303	spring	1	65Mn
5	111173	clutch operating lever	1	Fe
6	GB-T818-M4X25	screw	1	Fe
7	GB-T-889-1-M4	nut	1	Fe
8	111026	revolving support plate	1	Fe
9	114017	bush	2	Fe
10	GB-T16674-1996-M8X25	bolt	2	Fe
11	114026	Spring	1	65Mn
12	111063	clutch gear lever	1	Fe
13	114004	spring	2	65Mn
14	111037	P gear control lever	1	Fe
15	111061	connecting pole	1	Fe
16	GB-T848-1985-14	flat washer	2	Fe
17	GB-T5780-2000-M12X85	bolt	1	Fe
18	111016	speed change lever	1	Fe
19	114003	bush	2	Fe
20	114064	spring	1	65Mn
21	GB-T-6170-M6	nut	1	Fe
22	GB6182-M8	nut	9	Fe
23	GB-T-2000-3_2X22	pin	2	Fe
24	GB896-86-16	split washer	2	65Mn
25	112029	Fixed base	2	PP
26	115062	13" wheel assy	2	Fe+NR
27	Y01209-5	shaft pin	2	Fe
28	GB97-1-85-8	flat washer	6	Fe
29	114029	spring	1	65Mn
30	630001	gearbox assy	1	
31	GB-T5287-85-8	washer	2	Fe
32	114027	spring	1	65Mn
33	112012	handle	2	PP
34	GB-T-96-2-6	flat washer	2	Fe
35	111018	speed lever location plate	1	Fe
36	111092	Antifriction plate	2	不锈钢
37	Y03854	Wheel hub cover	2	PP
38	GB-T16674-1996-M8X25	bolt	2	Fe
39	GB-T16674-1996-M8X100	bolt	4	Fe
40	114044	fixing plate of gearbox	1	Fe
41	GB-T16674-1996-M8X40	bolt	1	Fe

42	114010	belt wheel assy for gearbo	1	Fe
43	GB1-T894_1-1986-16	bearing washer	1	65Mn
44	GB-T889-1-2000-M12	nut	1	Fe
45	111032	speed adjustable lever	1	Fe
46	GB-T-6170-M8	nut	1	Fe
47	Q501-8	pin	4	65Mn
48	635009	Output board	1	Fe
49	GB93-87-6	washer	1	Fe
50	GB/T16674-M6X15	bolt	1	Fe
51	112031	Switch base	2	PP
52	115041	Micro Switch	2	
53	GB-6563-86-M8X20	bolt	2	Fe
54	GB6182-M3	nut	4	Fe
55	GB-T818-M3X16	bolt	4	Fe

B. 底盘Chassis

S/N 序号	Figure number 图号	Chinese name 英文名称	qty 数量	material 材料
1	112023	collector channel	1	PVC
2	GB-T-889-1-M4	nut	3	Fe
3	GB-T818-M4X12	screw	3	Fe
4	GB-T16674-1996-M8X40	bolt	5	Fe
5	111081	location rod of protecting plate	1	Fe
6	GB-T889-1-M6	nut	1	Fe
7	111079	rotary support plate of collector channel	1	Fe
8	GB6182-M8	nut	22	Fe
9	114019	bush	1	Fe
10	111005	front right adjustable plate	1	Fe
11	111007	back right adjustable plate	1	Fe
12	111006	back left adjustable plate	1	Fe
13	111001	Chassis	1	Fe
14	GB12-98-M6X20	bolt	1	Fe
15	111004	front left adjustable plate	1	Fe
16	111177	24" blade	1	65Mn
17	Y01203	blade washer	1	65Mn
18	GB12-98-M8X20	bolt	8	Fe
19	3-8-24UNF-2B	bolt	1	Fe
20	Y01201-4	blade bracket	1	Fe
21	114066	pin	1	Fe
22	Y03105	plastic nut	1	PA6
23	GB-T893_1-1986-52	soft washer	2	65Mn
24	114006	blade output shaft	1	Fe
25	114065	pin	1	Fe
26	114005	bush	1	Fe
27	111025	brake pedal	1	Fe
28	GB-T16674-1996-M8X55	bolt	1	Fe
29	114030	belt wheel assy for blade	1	Fe
30	GB_T5287-1985-8	flat washer	1	Fe
31	GB-T16674-1996-M8X20	bolt	4	Fe
32	Q501-8	pin	3	65Mn
33	GB896-86_6	split washer	1	Fe
34	111106	limit bush	1	Fe
35	114062	spring	1	65Mn
36	111023	deck cover	1	Fe
37	GB-T276-94-6205	bearing	2	Fe
38	113001	bearing base	2	AL
39	Y03104	water port	1	PA6
40	Y03119	o type washer	1	NR
41	111064	blade brake connecting lever	1	Fe
42	111024	blade clutch plate	1	Fe
43	GB8931-28	soft washer	1	65Mn
44	6001LL-GBT276-94	bearing	1	Fe
45	114018	blade pinch roller	1	Fe
46	GB97-1-85-8	flat washer	1	Fe
47	111029	spring	1	Fe
48	114003	bush	2	Fe
49	114002	spring	1	65Mn
50	111028	blade clutch lever	1	Fe
51	GB-T-6170-M8	nut	3	Fe
52	111142	lever	1	Fe
53	A-Li991	A-type belt	1	NR

C.动力Engine

S/N 序号	Figure number 图号	Chinese name 英文名称	qty 数量	material 材料
1	GB6182-M8	nut	6	Fe
2	GB-T16674-1996-M8X55	bolt	4	Fe
3	111021	fixing plate of engine	1	Fe
4	GB-T16674-1996-M8X25	bolt	3	Fe
5	114048	bush	1	Fe
6	111022	self-propelled clutch plate	1	Fe
7	114004	spring	1	65Mn
8	GB8931-28	soft washer	1	65Mn
9	GB_T5287-1985-8	flat washer	1	Fe
10	6001LL-GBT276-94	bearing	1	Fe
11	114015	self-propelled pinch roller	1	Fe
12	A-Li762	A-type belt	1	NR
13	GB-T16674-1996-M8X40	bolt	1	Fe
14	115020	self-propelled cable	1	Fe
15	114040	belt wheel assy for engine	1	Fe
16	3-8-24UNF-2B	bolt	1	Fe
17	Y01203	blade washer	1	65Mn
18	114066	pin	1	Fe
19	GB896-86_6	split washer	3	65Mn
20	111106	limit bush	2	Fe
21	GB6182-M6	nut	1	Fe
22	114057	bush	2	Fe
23	GB-T955-1987-12	soft washer	8	65Mn
24	111191	accelerator lever	1	Fe
25	GB-T16674-M6X30	bolt	1	Fe
26	Y01508	gear cap	1	PP
27	111188	limit bush	1	Fe
28	114063	spring	2	65Mn
29	114061	spring	1	65Mn
30	115030	accelerator cable	1	Fe
31	LONCIN 1P70	Engine	1	

D. 框架Frame

S/N 序号	Figure number 图号	Chinese name 英文名称	qty 数量	material 材料
1	114028	Spring	1	65Mn
2	GB-T-6170-M8	nut	1	Fe
3	GB-T-70-M8X80	bolt	1	Fe
4	114024	Spring of seat	1	65Mn
5	111070	support lever assy	1	Fe
6	111182	seat switch plate	1	Fe
7	114055	rope guide	1	Fe
8	GB-T-6170-M6	nut	1	Fe
9	GB6182-M6	nut	2	Fe
10	112014	PP plate	1	PP
11	111078	support rod of front base	1	Fe
12	GB-T16674-1996-M8X55	bolt	5	Fe
13	111172	hook	1	Fe
14	GB_T5287-1985-8	washer	2	Fe
15	GB6182-M8	nut	15	Fe
16	115031	switch	2	PP
17	111082	Main frame	1	Fe
18	GB-T818-M3X30	screw	2	Fe
19	115041	switch	1	Gu+PP
20	115042	switch	1	Gu+PP
21	GB-T-889-1-M3	nut	2	Fe
22	GB109-86-_8X16-D	rivet	8	Fe
23	111034	brake fixing plate	1	Fe
24	112012	handle	1	PP
25	111011	connect rod	2	Fe
26	111107	fitting height adjusting lev	1	Fe
27	GB97__1-85-8	washer	13	Fe
28	GB-T41-2000-_M12	nut	2	Fe
29	GB-T848-1985-12	washer	2	Fe
30	111012	adjustable rocker	1	Fe
31	GB-T16674-1996-M8X25	bolt	2	Fe
32	114047	bush	2	Fe
33	Q501-8	pin	9	65Mn
34	111108	bush	1	Fe
35	111002	adjustable rocker piece	1	Fe
36	115038	Power Relay	1	Fe
37	114081	Lock pin	1	Fe
38	111039	limit lever	1	Fe
39	111200	support	1	Fe
40	111042	Rear-discharge board	1	Fe
41	111013	support	1	Fe
42	GB12-98-M8X20	bolt	2	Fe
43	GB-T16674-1996-M8X85	bolt	4	Fe
44	115037	switch	1	PP
45	GB-T818-M4X12	screw	8	Fe
46	111193	ding rod of collector char	4	Fe
47	GB-T-889-1-M4	nut	8	Fe

48	111194	bush	4	PVC
49	GB845-85-ST4.8X9.5	screw	11	Fe
50	GB93-87-12	washer	2	Fe
51	GB/T-70.1-M8X20	screw	1	65Mn

F. 机壳Cover

S/N 序号	Figure number 图号	Chinese name 英文名称	qty 数量	material 材料
1	115033	seat	1	Fe+PVC
2	114036	revolving shaft of seat	1	Fe
3	GB-T-2000-3_2X22	pin	2	Fe
4	GB-T-93-8	washer	4	65Mn
5	GB-T16674-1996-M8X15	bolt	4	Fe
6	112024	back base	1	PP
7	GB845-85-ST4.8X9.5	screw	2	Fe
8	Y02109	battery box	1	PP
9	12V-7AH	battery	1	PP
10	115039	fuse box	1	pp
11	115036	fuse	1	PC+AL
12	112021	front base	1	PP
13	111181	location rod of protecting plate	1	Fe
14	112015	PP plate	1	PP
15	GB6182-M8	nut	2	Fe
16	115032	key	1	
又消cancel	115045	O ring	1	NR
18	GB97__1-85-8	washer	6	Fe
19	111183	seat switch plate	1	Fe
20	GB-T-889-1-M4	nut	6	Fe
21	111090	base assy	1	Fe
22	GB-T818-M4X12	screw	6	Fe
23	115040	cable assy	1	
24	Y01922	wire	1	
25	GB845-85-ST4.8X13	screw	10	Fe

G. 草袋 Grass catcher				
序号	图号 Figure number	英文名称 Name	数量Qty	Mat.
1	111049	Frame	1	Fe
2	111053	Pole	1	Fe
3	111056	Rod	2	Fe
4	115035	nylon bag	1	
5	111068	Front handle	1	Fe
7	GB-T818-2000-M5*35	Screw	6	Fe
8	GB6182- M5	Nut	12	Fe
9	112025	Grassbox cover	1	PP
10	GB-T818-2000-M5*40	Screw	2	Fe
11	GB-T818-2000-M5*30	Screw	2	Fe
12	GB-T818-2000-M5*25	Screw	2	Fe
13	111067	Rear handle	1	Fe

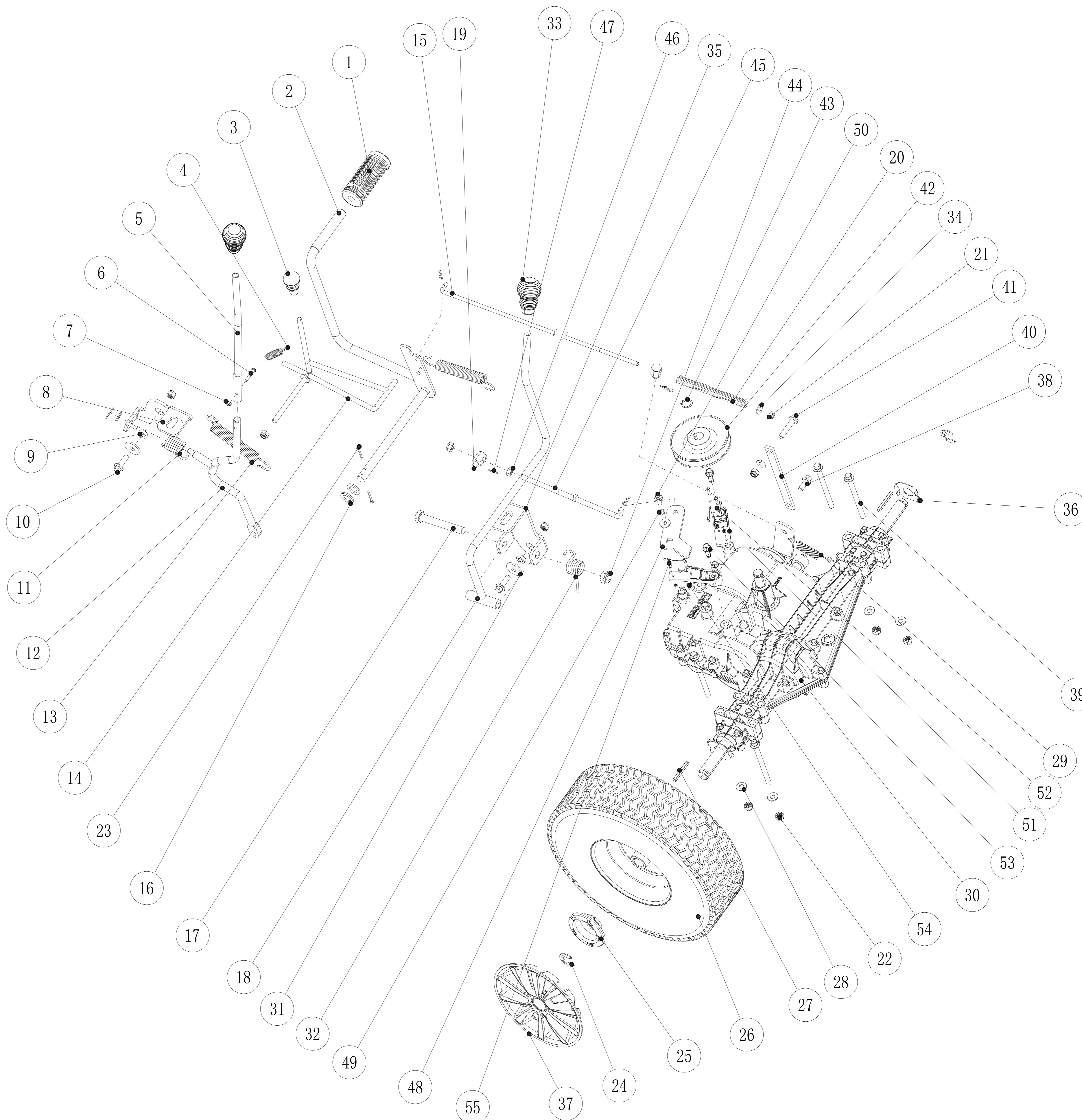
grass cather(not include metal part)

E 转向Steering

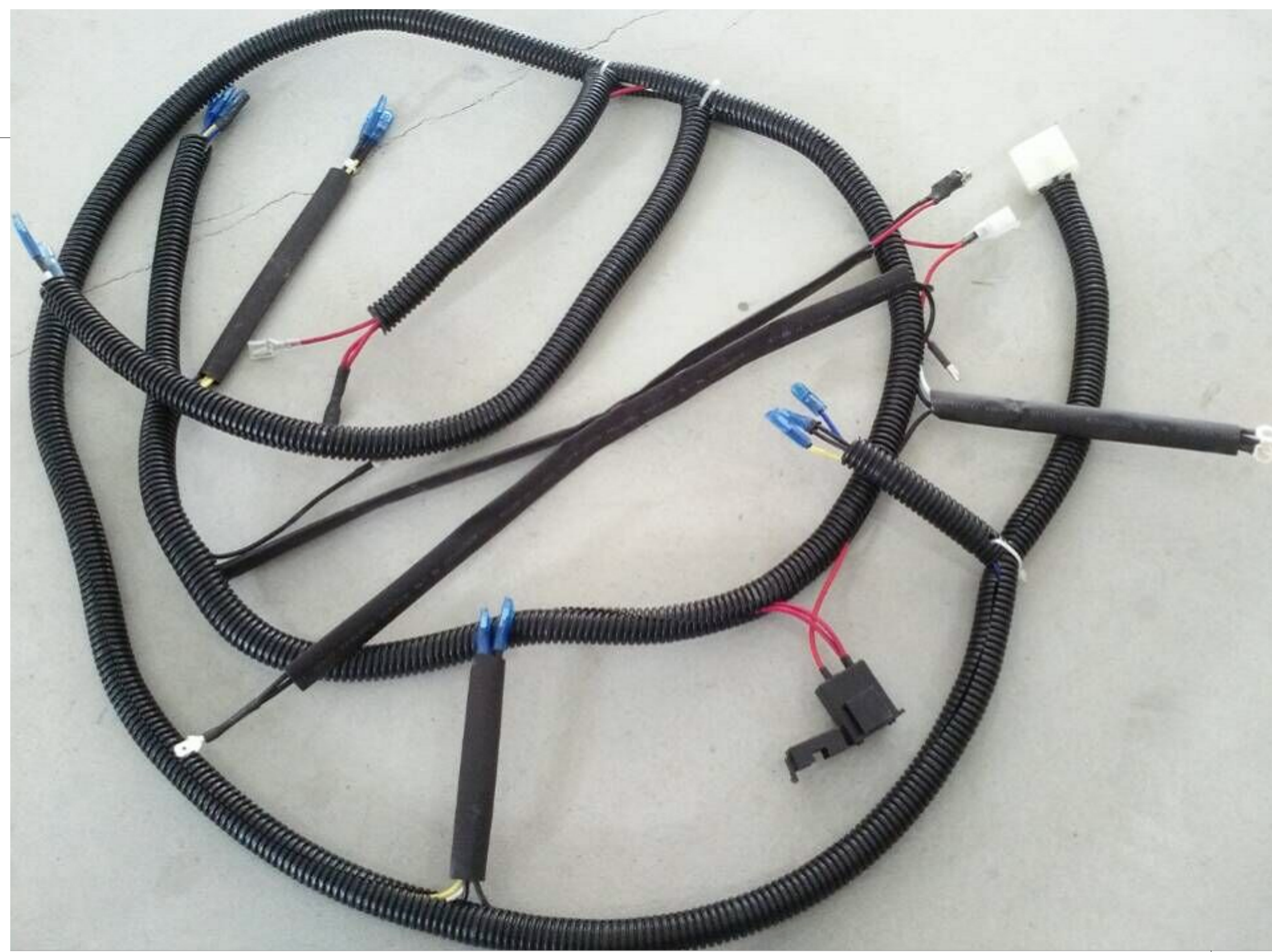
S/N 序号	Figure number图号	English name英文名称	Chinese name中文名称	qty数量
1	691303	steering wheel	方向盘	1
2	691297	steering lever assy	方向杆组件	1
3	112011	screw conduit	螺纹管	1
4	GB/T879.1-6*35	pin	弹性圆柱销	1
5	111162	sleeve bush	长轴套	1
6	111156	steering wheel shaft	方向盘主轴	1
7	GB/T95-2002-16	flat washer	平垫	1
8	114067	flat key	平键	1
9	111163	bush	衬套	1
10	111151	gear	直齿	1
11	GB/T95-2002-16	flat washer	平垫	1
12	GB896-86-12	split washer	开口挡圈	5
13	Y03703	wheel hub cover	轮毂外盖	2
14	112028	fixed base	外盖固定底座	2
15	111124	10inch wheel assy	10英寸充气轮胎	2
16	112076	right bracket	右支架	1
17	GB/T16674-M8*65	screw	螺栓	1
18	GB/T5287-1985-8	flat washer	平垫	2
19	111124	steering connect lever	转向连接杆	1
20	112077	left bracket	左支架	1
21	Q501-8	pin	销	2
22	GB/T95-2002-16	flat washer	平垫	2
23	111111	steering bracket	转向支架	1
24	GB/T93-8	washer	弹簧垫圈	1
25	111145	lever	关节轴承	2
26	111144	nut	六角螺母	1
27	GB/T95-2002-16	flat washer	平垫	2
28	111141	lever	球头拉杆	1
29	GB6182-M8	nut	防松螺母	2
30	GB/T16674-M10*50	bolt	螺栓	1
31	111152	fan gear	扇形齿	1
32	GB6182-M10	nut	防松螺母	1
33	635012	flat washer	M8垫片	1
34	GB/T63-1987	flat washer	M8弹性垫片	1
35	112026	foam pipe	发泡管	1
36	111146	lever	关节轴承	1
37	112078	bush	衬套	2
38	GB/T16674-M8*20	screw	螺栓	1
39	691302	Lid	盖子	1

S/N 序号	Figure number 图号	English name 英文名称	Chinese name 中文名称	qty 数量	material 材料
1	115001	brake pedal	刹车踏板	1	NR
2	111060	brake assy	刹车组件	1	Fe
3	Y01508	gear cap	档位旋帽	1	PP
4	Y01303	spring	拉簧	1	65Mn
5	111173	clutch operating lever	离合杆	1	Fe
6	GB-T818-M4X25	screw	螺丝	1	Fe
7	GB-T-889-1-M4	nut	防松螺母	1	Fe
8	111026	revolving support plate	旋转支板	1	Fe
9	114017	bush	衬套	2	Fe
10	GB-T16674-1996-M8X25	bolt	螺栓	2	Fe
11	114026	Spring	扭簧	1	65Mn
12	111063	clutch gear lever	离合档位杆	1	Fe
13	114004	spring	拉簧	2	65Mn
14	111037	P gear control lever	P档控制杆	1	Fe
15	111061	connecting pole	刹车连接杆	1	Fe
16	GB-T848-1985-14	flat washer	平垫	2	Fe
17	GB-T5780-2000-M12X85	bolt	螺栓	1	Fe
18	111016	speed change lever	调速档位杆	1	Fe
19	114003	bush	旋转衬套	2	Fe
20	114064	spring	刹车压簧	1	65Mn
21	GB-T-6170-M6	nut	六角螺母	1	Fe
22	GB6182-M8	nut	防松螺母	9	Fe
23	GB-T-2000-3_2X22	pin	开口销	2	Fe
24	GB896-86-16	split washer	开口挡圈	2	65Mn
25	112029	Fixed base	外盖固定底座	2	PP
26	115062	13" wheel assy	13寸英轮胎总成	2	Fe+NR
27	Y01209-5	shaft pin	曲轴长键	2	Fe
28	GB97-1-85-8	flat washer	平垫	6	Fe
29	114029	spring	拉簧	1	65Mn
30	630001	gearbox assy	齿轮箱总成	1	
31	GB-T5287-85-8	washer	平垫	2	Fe
32	114027	spring	扭簧	1	65Mn
33	112012	handle	把手	2	PP
34	GB-T-96-2-6	flat washer	平垫	2	Fe
35	111018	speed lever location plate	调速杆定位板	1	Fe
36	111092	Antifriction plate	减摩片	2	不锈钢
37	Y03854	Wheel hub cover	新8英寸轮毂外盖	2	PP
38	GB-T16674-1996-M8X25	bolt	螺栓	2	Fe
39	GB-T16674-1996-M8X100	bolt	螺栓	4	Fe
40	114044	fixing plate of gearbox	齿轮箱固定板	1	Fe
41	GB-T16674-1996-M8X40	bolt	螺栓	1	Fe
42	114010	belt wheel assy for gearbox	齿轮箱带轮组件	1	Fe
43	GB1-T894_1-1986-16	bearing washer	轴用弹性挡圈	1	65Mn
44	GB-T889-1-2000-M12	nut	防松螺母	1	Fe
45	111032	speed adjustable lever	调速拉杆	1	Fe
46	GB-T-6170-M8	nut	六角螺母	1	Fe
47	Q501-8	pin	销	4	65Mn
48	635009	Output board	输出板	1	Fe
49	GB93-87-6	washer	弹垫	1	Fe
50	GB/T16674-M6X15	bolt	螺栓	1	Fe
51	112031	Switch base	底座	2	PP
52	115041	Micro Switch	微动开关	2	
53	GB-6563-86-M8X20	bolt	螺栓	2	Fe
54	GB6182-M3	nut	防松螺母	4	Fe
55	GB-T818-M3X16	bolt	螺丝	4	Fe

YH63R	Control	2017
	控制	8

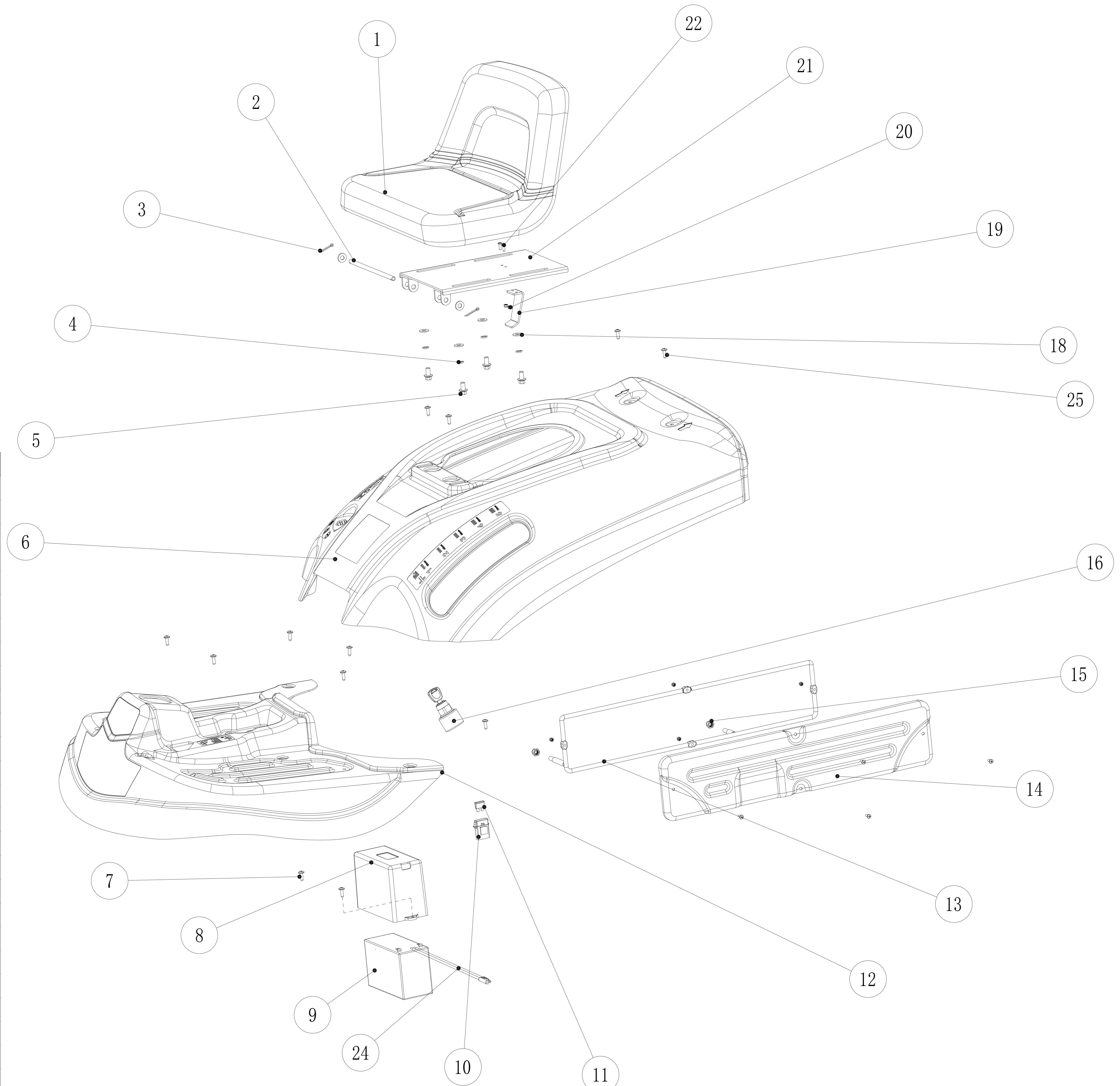


备注：序号25、37只适用部分机型
Remark: No. 25 No. 37 Applicable only for some models



23

YH63R	Cover	2016
	机壳	12



"S/N 序号"	"Figure number 图号"	"Chinese name 英文名称"	"Chinese name 中文名称"	"qty 数量"	"material 材料"
25	GB845-85-ST4.8X13	screw	自攻螺丝	10	Fe
24	Y01922	wire	双线	1	
23	115040	cable assy	电线总成	1	
22	GB-T818-M4X12	screw	螺丝	6	Fe
21	111090	base assy	底板组件	1	Fe
20	GB-T-889-1-M4	nut	防松螺母	6	Fe
19	111183	seat switch plate	座椅开关触板	1	Fe
18	GB97_1-85-8	washer	平垫	6	Fe
取消cancel	115045	O ring	O型圈	1	NR
16	115032	key	钥匙开关	1	
15	GB6182-M8	nut	防松螺母	2	Fe
14	112015	PP plate	PP板	1	PP
13	111181	location rod of protecting plate	防护定位杆	1	Fe
12	112021	front base	前底座	1	PP
11	115036	fuse	保险丝	1	PC+AL
10	115039	fuse box	保险丝盒	1	PP
9	12V-7AH	battery	电瓶	1	PP
8	Y02109	battery box	电池盖	1	PP
7	GB845-85-ST4.8X9.5	screw	自攻螺丝	2	Fe
6	112024	back base	后底座	1	PP
5	GB-T16674-1996-M8X15	bolt	螺栓	4	Fe
4	GB-T-93-8	washer	弹簧垫圈	4	65Mn
3	GB-T-2000-3_2X22	pin	开口销	2	Fe
2	114036	revolving shaft of seat	座椅转轴	1	Fe
1	115033	seat	座椅	1	Fe+PVC

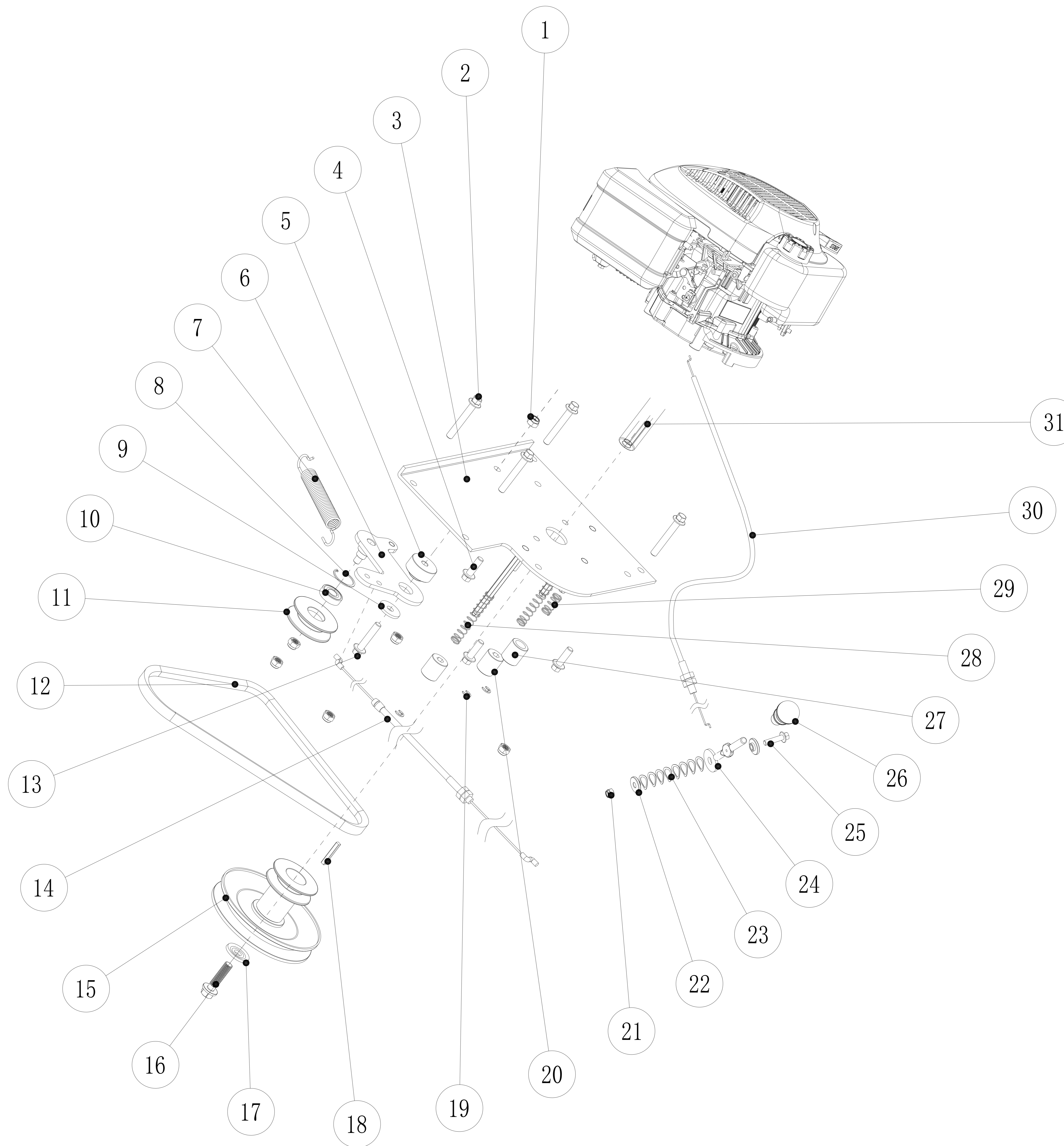
54	GB-T16674-1996-M8X35	bolt	螺栓	1	Fe
53	A-LI991	A-type belt	A型-皮带	1	NR
52	111142	lever	球头杆	1	Fe
51	GB-T-6170-M8	nut	六角螺母	3	Fe
50	111028	blade clutch lever	刀片离合拉杆	1	Fe
49	114002	spring	离合弹簧	1	65Mn
48	114003	bush	旋转衬套	2	Fe
47	111029	spring	离合拉杆支架	1	Fe
46	GB97-1-85-8	flat washer	平垫	1	Fe
45	114018	blade pinch roller	刀片压带轮	1	Fe
44	6001LL-GBT276-94	bearing	深沟球轴承	1	Fe
43	GB8931-28	soft washer	孔用弹性挡圈	1	65Mn
42	111024	blade clutch plate	刀片离合板	1	Fe
41	111064	blade brake connecting lever	刀片刹车连接杆	1	Fe
40	Y03119	o type washer	O型密封圈	1	NR
39	Y03104	water port	水接口	1	PA6
38	113001	bearing base	轴承座	2	AL
37	GB-T276-94-6205	bearing	深沟球轴承	2	Fe
36	111023	deck cover	底盘盖板	1	Fe
35	114062	spring	弹簧	1	65Mn
34	111106	limit bush	限位衬套	1	Fe
33	GB896-86_6	split washer	开口挡圈	1	Fe
32	Q501-8	pin	销	3	65Mn
31	GB-T16674-1996-M8X20	bolt	螺栓	4	Fe
30	GB_T5287-1985-8	flat washer	平垫	1	Fe
29	114030	belt wheel assy for blade	刀片带轮组件	1	Fe
28	GB-T16674-1996-M8X55	bolt	螺栓	1	Fe
27	111025	brake pedal	刹车板	1	Fe
26	114005	bush	刹车片衬套	1	Fe
25	114065	pin	平键	1	Fe
24	114006	blade output shaft	刀片主轴	1	Fe
23	GB-T893_1-1986-52	soft washer	孔用弹性挡圈	2	65Mn
22	Y03105	plastic nut	塑料螺母	1	PA6
21	114066	pin	平键	1	Fe
20	Y01201-4	blade bracket	刀片支架	1	Fe
19	3-8-24UNF-2B	bolt	六角法兰面螺栓	1	Fe
18	GB12-98-M8X20	bolt	马车螺栓	8	Fe
17	Y01203	blade washer	刀片垫片	1	65Mn
16	111177	24" blade	24英寸刀片	1	65Mn
15	111004	front left adjustable plate	前左调高底板	1	Fe
14	GB12-98-M6X20	bolt	马车螺栓	1	Fe
13	111001	Chassis	底盘	1	Fe
12	111006	back left adjustable plate	后左调高底板	1	Fe
11	111007	back right adjustable plate	后右调高底板	1	Fe
10	111005	front right adjustable plate	前右调高底板	1	Fe
9	114019	bush	刀片压带轮衬套	1	Fe
8	GB6182-M8	nut	防松螺母	22	Fe
7	111079	Rotary support plate of collector channel	风筒旋转支板	1	Fe
6	GB-T889-1-M6	nut	防松螺母	1	Fe
5	111081	location rod of protecting plate	风筒连接板	1	Fe
4	GB-T16674-1996-M8X40	bolt	螺栓	5	Fe
3	GB-T818-M4X12	screw	螺丝	3	Fe
2	GB-T-889-1-M4	nut	防松螺母	3	Fe
1	112023	collector channel	风筒	1	PVC
"S/N 序号"	" Figure number 图号"	"English name 英文名称"	"Chinese name 中文名称"	"qty 数量"	"material 材料"

YH63R	Chassis	2015
	底盘	10



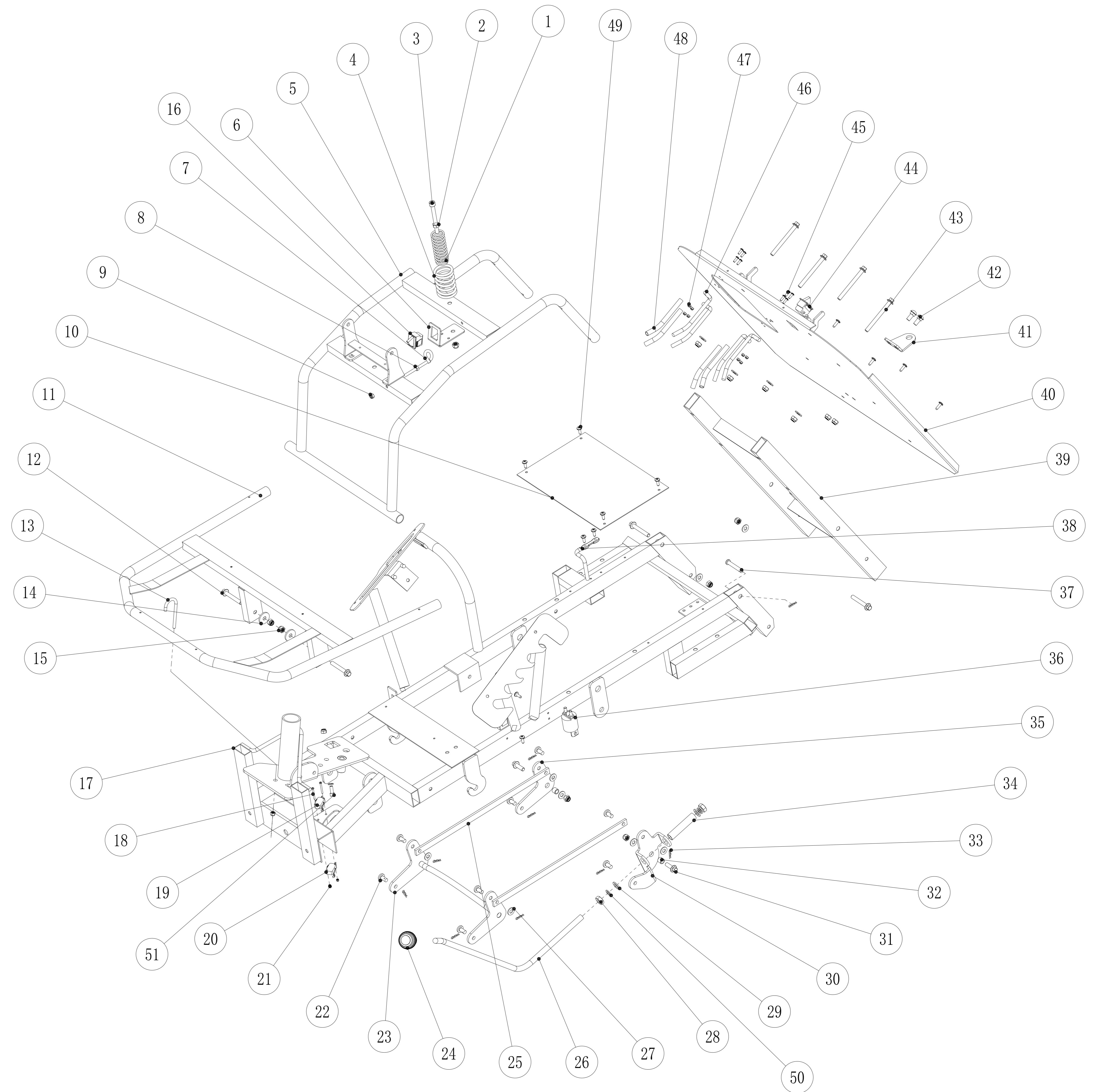
31	LONCIN 1P70	Engine	隆鑫1P70	1	
30	115030-1	accelerator cable	油门拉索	1	Fe
29	114061	spring	限位弹簧1	1	65Mn
28	114063	spring	限位弹簧3	2	65Mn
27	111188	limit bush	限位衬套	1	Fe
26	Y01508	gear cap	档齿旋帽	1	PP
25	GB-T16674-M6X30	bolt	螺栓	1	Fe
24	111191	accelerator lever	油门控制杆	1	Fe
23	GB-T955-1987-12	soft washer	波形弹性垫圈	8	65Mn
22	114057	bush	衬套	2	Fe
21	GB6182-M6	nut	防松螺母	1	Fe
20	111106	limit bush	限位衬套	2	Fe
19	GB896-86_6	split washer	开口挡圈	3	65Mn
18	114066	pin	平键	1	Fe
17	Y01203	blade washer	刀片垫片	1	65Mn
16	3-8-24UNF-2B	bolt	六角法兰面螺栓	1	Fe
15	114040	belt wheel assy for engine	动力带轮组件	1	Fe
14	115020	self-propelled cable	自走控制拉线	1	Fe
13	GB-T16674-1996-M8X40	bolt	螺栓	1	Fe
12	A-Li762	A-type belt	A型-皮带	1	NR
11	114015	self-propelled pinch roller	自走压带轮	1	Fe
10	6001LL-GBT276-94	bearing	深沟球轴承	1	Fe
9	GB_T5287-1985-8	flat washer	平垫	1	Fe
8	GB8931-28	soft washer	孔用弹性挡圈	1	65Mn
7	114004	spring	拉簧	1	65Mn
6	111022	self-propelled clutch plate	自走离合板	1	Fe
5	114048	bush	衬套	1	Fe
4	GB-T16674-1996-M8X25	bolt	螺栓	3	Fe
3	111021	fixing plate of engine	动力固定板	1	Fe
2	GB-T16674-1996-M8X55	bolt	螺栓	4	Fe
1	GB6182-M8	nut	防松螺母	6	Fe
"S/N 序号"	" Figure number 图号"	"English name 英文名称"	"Chinese name 中文名称"	"qty 数量"	"material 材料"

YH63R	Engine	2016
	动力	2

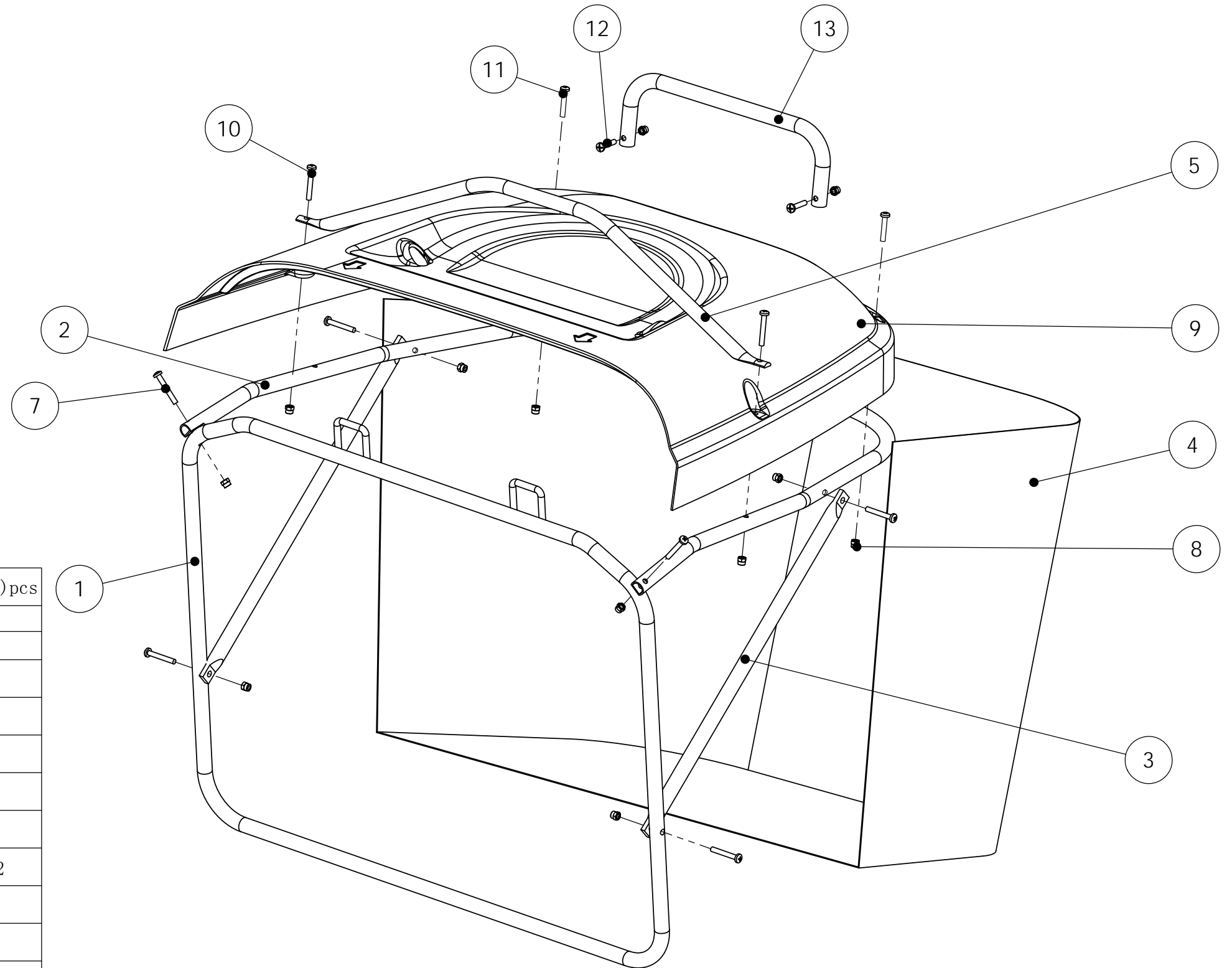


YH63R	框架	2016
	FRAME	2

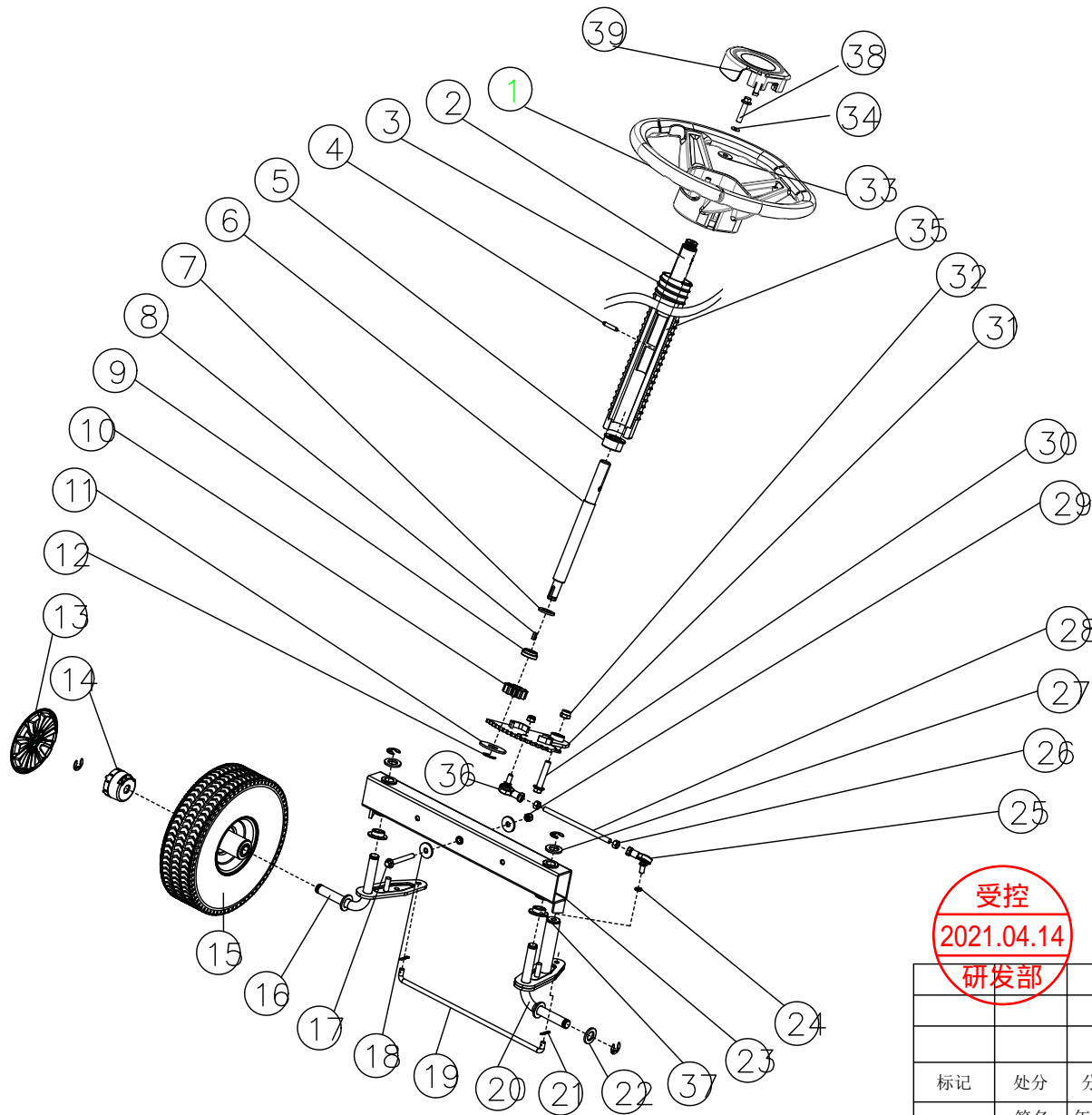
51	GB/T-70. 1-M8X20	screw	内六角圆柱螺钉	1	65Mn
50	GB93-87-12	washer	弹垫	2	Fe
49	GB845-85-ST4.8X9.5	screw	自攻螺丝	11	Fe
48	111194	bush	护套	4	PVC
47	GB-T-889-1-M4	nut	防松螺母	8	Fe
46	111193	guiding rod of collector channel	导向杆	4	Fe
45	GB-T818-M4X12	screw	螺丝	8	Fe
44	115037	switch	行程开关	1	PP
43	GB-T16674-1996-M8X85	bolt	螺栓	4	Fe
42	GB12-98-M8X20	bolt	马车螺栓	2	Fe
41	111013	support	挂扣	1	Fe
40	111042	Rear-discharge board	后排板	1	Fe
39	111200	support	支架	1	Fe
38	111039	limit lever	限位杆	1	Fe
37	114081	Lock pin	锁销	1	Fe
36	115038	Power Relay	动力继电器	1	Fe
35	111002	adjustable rocker piece	调高摇杆片	1	Fe
34	111108	bush	衬套	1	Fe
33	Q501-8	pin	销	9	65Mn
32	114047	bush	衬套	2	Fe
31	GB-T16674-1996-M8X25	bolt	螺栓	2	Fe
30	111012	adjustable rocker	调高遥杆	1	Fe
29	GB-T848-1985-12	washer	平垫	2	Fe
28	GB-T41-2000-_M12	nut	六角螺母	2	Fe
27	GB97_1-85-8	washer	平垫	13	Fe
26	111107	cutting height adjusting lever	调高杆	1	Fe
25	111011	connect rod	连动杆	2	Fe
24	112012	handle	把手	1	PP
23	111034	brake fixing plate	前调高支架	1	Fe
22	GB109-86-_8X16-D	rivet	高轮铆钉	8	Fe
21	GB-T-889-1-M3	nut	防松螺母	2	Fe
20	115042	switch	微动开关	1	Gu+PP
19	115041	switch	微动开关	1	Gu+PP
18	GB-T818-M3X30	screw	螺丝	2	Fe
17	111082	Main frame	主架	1	Fe
16	115031	switch	行程开关	1	PP
15	GB6182-M8	nut	防松螺母	15	Fe
14	GB_T5287-1985-8	washer	平垫	2	Fe
13	111172	hook	拉钩	1	Fe
12	GB-T16674-1996-M8X55	bolt	螺栓	5	Fe
11	111078	support rod of front base	前底座支撑杆	1	Fe
10	112014	PP plate	PP防护板	1	PP
9	GB6182-M6	nut	防松螺母	2	Fe
8	GB-T-6170-M6	nut	六角螺母	1	Fe
7	114055	rope guide	挂扣	1	Fe
6	111182	seat switch plate	座椅开关底板	1	Fe
5	111070	support lever assy	支撑杆组件	1	Fe
4	114024	Spring of seat	座椅弹簧	1	65Mn
3	GB-T-70-M8X80	bolt	螺栓	1	Fe
2	GB-T-6170-M8	nut	六角螺母	1	Fe
1	114028	Spring	座椅复位弹簧	1	65Mn
"S/N 序号"	"Figure number 图号"	"English name 英文名称"	"Chinese name 中文名称"	"qty 数量"	"material 材料"



YH63R	Grass catcher	2016
	草袋	5



S/N序号	Item No	English name	中文名称	(Q. TY) pcs
1	111049	Frame	框架	1
2	111053	Frame	上框架	1
3	111056	Rod	支撑杆	2
4	115035	nylon bag	草袋	1
5	111068	Front handle	前提手	1
取消cancel	111069	Rear handle	后提手	1
7	GB-T818-2000-M5X35	Screw	十字槽盘头螺钉	6
8	GB6182-M5	Nut	螺母	12
9	112025	Grassbox cover	草箱盖	1
10	GB-T818-2000-M5X40	Screw	十字槽盘头螺钉	2
11	GB-T818-2000-M5X30	Screw	十字槽盘头螺钉	2
12	GB-T818-2000-M5X25	Screw	十字槽盘头螺钉	2
13	111067	Rear handle	后提手	1



S/N序号	Figure number图号	English name 英文名称	Chinese name 中文名称	qty数量
1	691303	steering wheel	方向盘	1
2	691297	steering lever assy	方向杆组件	1
3	112011	screw conduit	螺纹管	1
4	GB/T879.1-6*35	pin	弹性圆柱销	1
5	111162	sleeve bush	长轴套	1
6	111156	steering wheel shaft	方向盘主轴	1
7	GB/T95-2002-16	flat washer	平垫	1
8	114067	flat key	平键	1
9	111163	bush	衬套	1
10	111151	gear	直齿	1
11	GB/T95-2002-16	flat washer	平垫	1
12	GB896-86-12	split washer	开口档圈	5
13	Y03703	wheel hub cover	轮毂外盖	2
14	112028	fixed base	外盖固定底座	2
15	111124	10inch wheel assy	10英寸充气轮胎	2
16	112076	right bracket	右支架	1
17	GB/T16674-M8*65	screw	螺栓	1
18	GB/T5287-1985-8	flat washer	平垫	2
19	111124	steering connect lever	转向连接杆	1
20	112077	left bracket	左支架	1
21	Q501-8	pin	销	2
22	GB/T95-2002-16	flat washer	平垫	2
23	111111	steering bracket	转向支架	1
24	GB/T93-8	washer	弹簧垫圈	1
25	111145	lever	关节轴承	1
26	111144	nut	六角螺母	1
27	GB/T95-2002-16	flat washer	平垫	2
28	111141	lever	球头拉杆	1
29	GB6182-M8	nut	防松螺母	2
30	GB/T16674-M10*50	bolt	螺栓	1
31	111152	fan gear	扇形齿	1
32	GB6182-M10	nut	防松螺母	1
33	635012	flat washer	M8垫片	1
34	GB/T93-1987	flat washer	M8弹性垫片	1
35	112026	foam pipe	发泡管	1
36	111146	lever	关节轴承	1
37	112078	bush	衬套	2
38	GB/T16674-M8*20	screw	螺栓	1
39	691302	lid	盖子	1

受控
2021.04.14
研发部

						YH63转向结构			转向1		
标记	处分	分区	更改文件号	签名	年月日						
设计	邹群超	2021/04/14	标准化			阶段标记	重量	比例			
审核			批准		2021/04/14	S	114g	2:1			
工艺						版本号	共 1 张	第 1 张			
						: 001					