

# HOUSSES MATERIAL PRISMA ADEO TECHNICAL SHEET SPECIFICATIONS

All components must comply with current REACH regulations

## FABRIC COVER

**FABRIC MATERIAL:**  
100% Polyester 160g/m2 300D PU coating  
water repellent treatment

Color: 16-3915 TPG = COOL GRAY 7 C

### Performance requirement:

ISO811 80cm  
ISO4920 GRADE 4  
Solar UV Protective +30  
ISO 105 B02 Light Grade 4  
ISO 105 E01 Water Grade 4

## EYELETS

**Material:** POM Ø 10 mm  
**Color :** 13-4108 TPG = COOL GRAY 1 C

please refer to the specific requirements for each item



## CORD LOCK

**Material:** POM  
**Color :** 13-4108 TPG = COOL GRAY 1 C

please refer to the specific requirements for each item



## DRAWSTRING

**Material:** PP rope Ø4mm  
**Color :** 13-4108 TPG = COOL GRAY 1 C

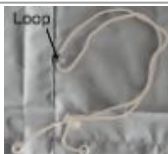
drawstring is inside the hem



## LOOP

Outside the cover, add loop and pass the drawstring through  
**Material:** 100% polyester PU coating  
**Color:** 16-3915 TPG = COOL GRAY 7 C

please refer to the specific requirements for each item



# HOUSES MATERIAL PRISMA ADEO TECHNICAL SHEET SPECIFICATIONS

All components must comply with current REACH regulations

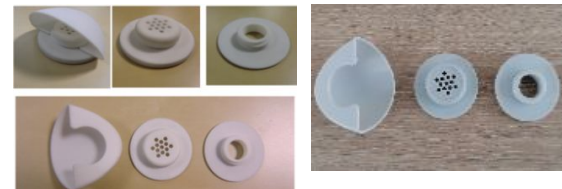
## PLASTIC AERATOR

**!! BE CAREFUL**  
THERE ARE 2 KINDS OF AERATORS  
IT DEPENDS ON THE ITEM  
PLEASE REFER TO THE SPECIFIC REQUIREMENTS FOR EACH ITEM

PP AERATOR  
Color: 13-4108 TPG = COOL GRAY 1 C

**THIS AERATOR SYSTEM IS THE EXCLUSIVE PROPERTY OF INNOVAXE COMPANY**  
**THIS INVENTION IS THE SUBJECT OF A REGISTERED PATENT**

please refer to the specific requirements for each item

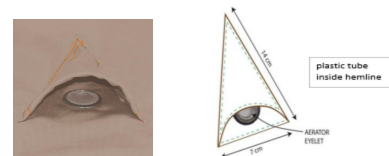


## FABRIC AERATOR

**!! BE CAREFUL**  
THERE ARE 2 KINDS OF AERATORS  
IT DEPENDS ON THE ITEM  
PLEASE REFER TO THE SPECIFIC REQUIREMENTS FOR EACH ITEM

AERATOR WITH STAINLESS STEEL MESH EYELET

please refer to the specific requirements for each item



## VELCRO STRAP

Sewn inside the cover  
Material: Polyester/PA 25x430mm  
Color : 13-4108 TPG = COOL GRAY 1 C

please refer to the specific requirements for each item



## POP UP

**!! BE CAREFUL**  
THERE ARE 2 SIZES OF POP-UP  
IT DEPENDS ON THE ITEM  
PLEASE REFER TO THE SPECIFIC REQUIREMENTS FOR EACH ITEM

Size open : L.20 \* W.20 \* H.26 cm or L.16 \* W.16 \* H.16  
Material: steel wire + polyester mesh  
color: black

please refer to the specific requirements for each item

**THIS POP UP SYSTEM IS THE EXCLUSIVE PROPERTY OF INNOVAXE COMPANY**  
**THIS INVENTION IS THE SUBJECT OF A REGISTERED PATENT**



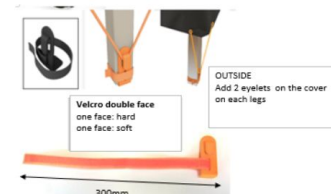
## HOOK'UP + VELCRO

Set of 4 pcs  
For each hook'up put velcro inside  
Material: PP

Color : 13-4108 TPG = COOL GRAY 1 C

please refer to the specific requirements for each item

**THIS POP UP SYSTEM IS THE EXCLUSIVE PROPERTY OF INNOVAXE COMPANY**  
**THIS INVENTION IS THE SUBJECT OF A REGISTERED PATENT**



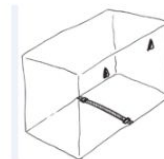
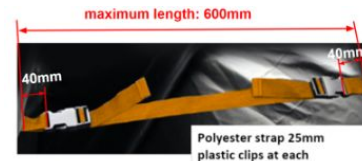
# HOUSSES MATERIAL PRISMA ADEO TECHNICAL SHEET SPECIFICATIONS

All components must comply with current REACH regulations

HOLDING STRAP

Holding strap to be sewn in the middle with plastic clips at each extremities  
 Material PP starp 25mm + POM  
 color strap : 13-4108 TPG = COOL GRAY 1 C  
 color plastic : 13-4108 TPG = COOL GRAY 1 C

please refer to the specific requirements for each item



TUTOR

Size unfolded = L.90xdiam.0,79 cm  
 folded in 3 parts  
 polyester glass fiber + elastic inside  
 color : Black

please refer to the specific requirements for each item



ZIP

Material: PA + Zamak  
 Color: 13-4108 TPG = COOL GRAY 1 C

please refer to the specific requirements for each item



TAB

PLEASE REFER TO "TAB ON THE PRODUCT" SHEET

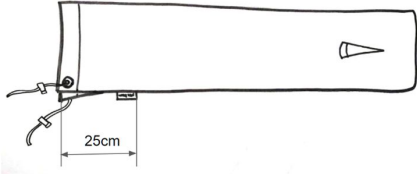
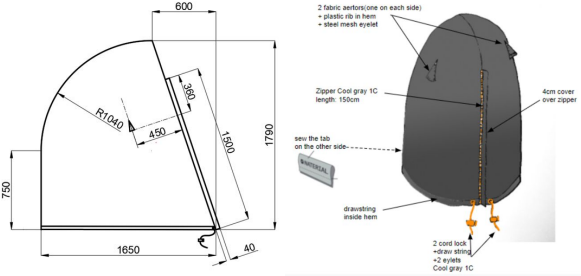


SEWING THREAD

Materil: polyester  
 Color: 16-3915 TPG = COOL GRAY 7 C

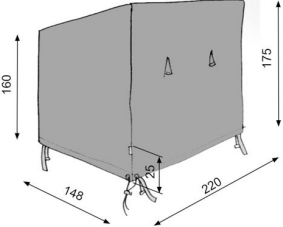
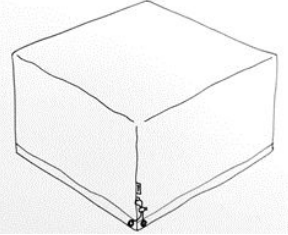
# HOUSSES MATERIAL PRISMA ADEO TECHNICAL SHEET

## ITEMS DIMENSIONS/SHAPES AND SPECIFICATIONS

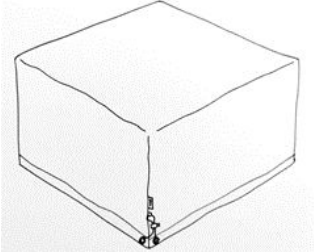
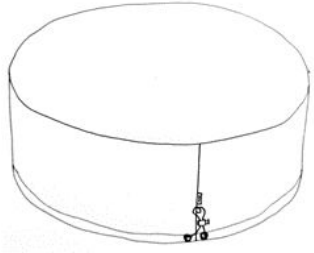
Name	References	Number of units per master carton	Dimensions (cm)	Picture	Specifications
COVER FOR STRAIGHT UMB. MATERIAL PRISMA POLY160G 210X35 LIGHT GREY	<b>84463506</b> (ADEO) <b>106100</b> (INNOVAXE) <b>3276007276114</b> (EAN)	6	FLAT POCKET L.35xH.210		FABRIC AERATOR x2 VELCRO STRAP x1 EYELET x2 CORD LOCK x2 DRAWSTRING x1 TAB x1
COVER FOR EGGCHAIR MATERIAL PRISMA POLY160G 165X179 LIGHT GREY	<b>84463510</b> (ADEO) <b>106106</b> (INNOVAXE) <b>3276007276138</b> (EAN)	6	FLAT POCKET L.165xH.179		FABRIC AERATOR x2 EYELET x2 CORD LOCK x2 DRAWSTRING x1 TAB x1 ZIP x1

# HOUSSES MATERIAL PRISMA ADEO TECHNICAL SHEET

## ITEMS DIMENSIONS/SHAPES AND SPECIFICATIONS

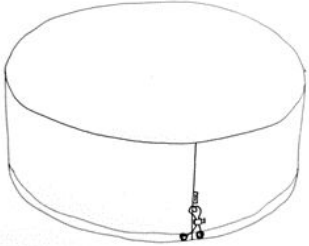
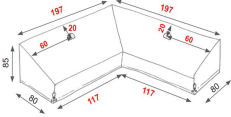
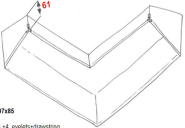


Name	References	Number of units per master carton	Dimensions (cm)	Picture	Specifications
COVER FOR SWINGCHAIR NATERIAL PRISMA POLY160G 220X148 LIGHT GREY	<b>84463509</b> (ADEO) <b>106105</b> (INNOVAXE) <b>3276007276121</b> (EAN)	6	L.220xl.148X H.175 (front) / 160(back)		FABRIC AERATOR x2 VELCRO STRAP x4 EYELET x2 LOOP x1 CORD LOCK x1 DRAWSTRING x1 TAB x1
COVER FOR SQUARE SPA 4P NATERIAL PRISMA POLY160G 162x162x68 L.GREY	<b>84463511</b> (ADEO) <b>106101</b> (INNOVAXE) <b>3276007276145</b> (EAN)	6	L.162xl.162xH.68		EYELET x2 CORD LOCK x1 DRAWSTRING x1 TAB x1 LOOP x1

**HOUSES MATERIAL PRISMA ADEO TECHNICAL SHEET  
ITEMS DIMENSIONS/SHAPES AND SPECIFICATIONS**

Name	References	Number of units per master carton	Dimensions (cm)	Picture	Specifications
COVER FOR SQUARE SPA 6P NATIERAL PRISMA POLY160G 189x189x68 L.GREY	<b>84463513</b> (ADEO) <b>106102</b> (INNOVAXE) <b>3276007276152</b> (EAN)	4	L.189xl.189xH.68		EYELET x2 CORD LOCK x1 DRAWSTRING x1 TAB x1 LOOP x1
COVER FOR ROUND SPA 4P NATIERAL PRISMA POLY160G D200X71 L.GREY	<b>84463514</b> (ADEO) <b>106103</b> (INNOVAXE) <b>3276007276169</b> (EAN)	6	Diam.200xH.70		EYELET x2 CORD LOCK x1 DRAWSTRING x1 TAB x1 LOOP x1

# HOUSSES MATERIAL PRISMA ADEO TECHNICAL SHEET

## ITEMS DIMENSIONS/SHAPES AND SPECIFICATIONS

Name	References	Number of units per master carton	Dimensions (cm)	Picture	Specifications
COVER FOR ROUND SPA 6P MATERIAL PRISMA POLY160G D220X71 L.GREY	<b>84463515</b> (ADEO) <b>106104</b> (INNOVAXE) <b>3276007276176</b> (EAN)	4	Diam.220xH.70		EYELET x2 CORD LOCK x1 DRAWSTRING x1 TAB x1
COVERS FOR CORNER SET DAVOS MATERIAL PRISMA CORNER+TABLE POLY160G	<b>84463518</b> (ADEO) <b>106098</b> INNOVAXE) <b>106098</b> (EAN)	4	Sofa 197x197x85  Table 95x95x42	DAVOS   <p>COVER 1 - 197x197x85 2 HOPE aerators 2 loops+2 stoppers +4. eyelets-drawstring</p> <p>DAVOS version N°2 - 2 covers (1 + 1 adjusted) in 1 unit packaging MODIFIED 20/10/21 <i>see the dimensions in red</i></p>  <p>COVER 2 - 95x95x42 2 HOPE aerators 1 loop+stoppers+eyelets+drawstring loop up 15x10/19</p> 	PP AERATOR EYELET x6 CORD LOCK x3 DRAWSTRING x2 TAB x2 LOPP x2 POP UP 16x16x16

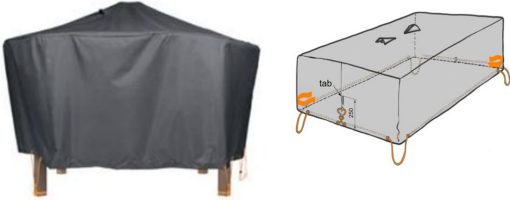
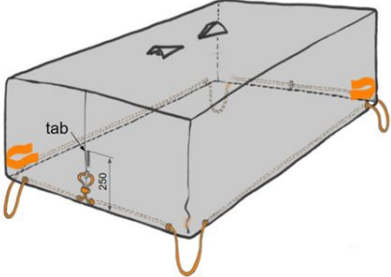
# HOUSSES MATERIAL PRISMA ADEO TECHNICAL SHEET

## ITEMS DIMENSIONS/SHAPES AND SPECIFICATIONS

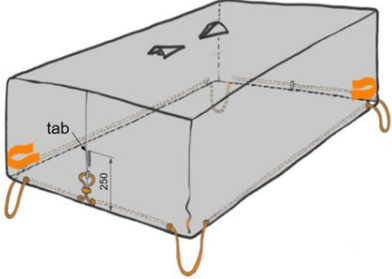
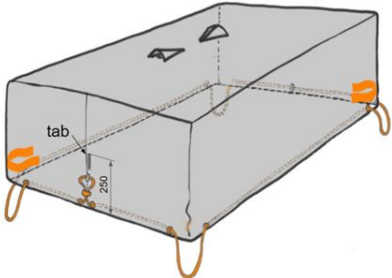
Name	References	Number of units per master carton	Dimensions (cm)	Picture	Specifications
COVERS FOR CORNER SET SAN DIEGO NATERIAL PRISMA CORNER+TABLE POLY160G	<b>84463519</b> (ADEO) <b>106099</b> (INNOVAXE) <b>3276007276183</b> (EAN)	4	Sofa 252x252x75  Table 85x85x30	<p>SAN DIEGO</p> <p>SAN DIEGO version N°3 - 2 covers (1 + 1 adjusted) in 1 unit packaging MODIFIED 2020-10-08 see the new position of the aerator</p> <p><b>COVER 1 - 252x252x75</b> 2 HDPE aerators 6 velcro straps 2 loops+ 2 stoppers+ 4 eyelets+ drawstring 300 cm 16x16x16</p> <p><b>COVER 2 - 85x85x30</b> 2 HDPE aerators 4 velcro straps 1 loop+ stopper+ eyelet+ drawstring 300 cm 16x16x16</p>	<ul style="list-style-type: none"> <li>PP AERATOR x4</li> <li>VELCRO STRAP x10</li> <li>CORD LOCK x3</li> <li>DRAW STRING x2</li> <li>EYELET x6</li> <li>TAB x2</li> <li>POP UP 16x16x16</li> <li>LOOP x3</li> </ul>
COVER FOR COFFEE SET NATERIAL PRISMA POLY160G 160X160X70 LIGHT GREY	<b>84463520</b> (ADEO) <b>106079</b> (INNOVAXE) <b>3276007276206</b> (EAN)	8	160x160x70		<ul style="list-style-type: none"> <li>FABRIC AERATOR x2</li> <li>VELCRO STRAP x4</li> <li>CORD LOCK x1</li> <li>DRAW STRING x1</li> <li>EYELET x2</li> <li>TAB x1</li> <li>POP UP 20x20x23</li> <li>LOOP x1</li> </ul>





**HOUSSES MATERIAL PRISMA ADEO TECHNICAL SHEET  
ITEMS DIMENSIONS/SHAPES AND SPECIFICATIONS**

Name	References	Number of units per master carton	Dimensions (cm)	Picture	Specifications
COVER FOR ROUND TABLE MATERIAL PRISMA POLY160G DIAM160X60 LIGHT GREY	<b>84463523</b> (ADEO) <b>106080</b> (INNOVAXE) <b>3276007276213</b> (EAN)	8	Diam.160xH.60		FABRIC AERATOR x2 VELCRO STRAP x2 (2 on opposite corner) CORD LOCK x1 DRAW STRING x1 EYELET x10 TAB x1 POP UP 20x20x23 LOOP x1 HOOK UP x4 INSTRUCTION MANUAL TABLE
COVER FOR RECT. TABLE M MATERIAL PRISMA POLY160G 170X110X60 L.GREY	<b>84463527</b> (ADEO) <b>106078</b> (INNOVAXE) <b>3276007276220</b> (EAN)	8	L.170xl.110xH.60		FABRIC AERATOR x2 VELCRO STRAP x2 (2 on opposite corner) CORD LOCK x1 DRAW STRING x1 EYELET x10 TAB x1 POP UP 20x20x23 LOOP x1 HOOK UP x4 INSTRUCTION MANUAL TABLE


**HOUSES NATIERAL PRISMA ADEO TECHNICAL SHEET  
ITEMS DIMENSIONS/SHAPES AND SPECIFICATIONS**

Name	References	Number of units per master carton	Dimensions (cm)	Picture	Specifications
COVER FOR RECT. TABLE L NATIERAL PRISMA POLY160G 200X130X60 L.GREY	<b>84463528</b> (ADEO) <b>106081</b> (INNOVAXE) <b>3276007276237</b> (EAN)	6	L.200xl.130xH.60		FABRIC AERATOR x2 VELCRO STRAP x2 (2 on opposite corner) CORD LOCK x1 DRAW STRING x1 EYELET x10 TAB x1 POP UP 20x20x23 LOOP x1 HOOK UP x4 INSTRUCTION MANUAL TABLE
COVER FOR RECT. TABLE XL NATIERAL PRISMA POLY160G 250X130X60 L.GREY	<b>84463529</b> (ADEO) <b>106082</b> (INNOVAXE) <b>3276007276244</b> (EAN)	6	L.250xl.130xH.60		FABRIC AERATOR x2 VELCRO STRAP x2 (2 on opposite corner) CORD LOCK x1 DRAW STRING x1 EYELET x10 TAB x1 POP UP 20x20x23 LOOP x1 HOOK UP x4 INSTRUCTION MANUAL TABLE



**HOUSES MATERIAL PRISMA ADEO TECHNICAL SHEET  
ITEMS DIMENSIONS/SHAPES AND SPECIFICATIONS**

Name	References	Number of units per master carton	Dimensions (cm)	Picture	Specifications
COVER FOR STACKING CHAIRS MATERIAL PRISMA POLY160G 66X66X105/70 L.GREY	<b>84463533</b> (ADEO) <b>106083</b> (INNOVAXE) <b>3276007276251</b> (EAN)	8	L.66xl.66xH.105(back)/70 (front)		FABRIC AERATOR x1 VELCRO STRAP x4 CORD LOCK x1 DRAW STRING x1 EYELET x2 TAB x1 LOOP x1
COVER FOR SUNBED MATERIAL PRISMA POLYESTER160G 200X75X45 LIGHT GREY	<b>84463536</b> (ADEO) <b>106084</b> (INNOVAXE) <b>3276007276268</b> (EAN)	8	L.200xl.75xH.45		FABRIC AERATOR x1 VELCRO STRAP x4 CORD LOCK x1 DRAW STRING x1 EYELET x2 TAB x1 LOOP x1

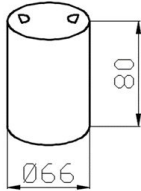
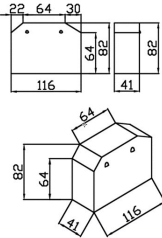
**HOUSSES MATERIAL PRISMA ADEO TECHNICAL SHEET  
ITEMS DIMENSIONS/SHAPES AND SPECIFICATIONS**

Name	References	Number of units per master carton	Dimensions (cm)	Picture	Specifications
COVER FOR ARMCHAIR MATERIAL PRISMA POLYESTER160G 75X75X60 LIGHT GREY	<b>84463537</b> (ADEO) <b>106085</b> (INNOVAXE) <b>3276007276275</b> (EAN)	8	L.75xl.75xH.60		FABRIC AERATOR x1 CORD LOCK x1 DRAW STRING x1 EYELET x2 TAB x1 LOOP x1
COVER FOR SOFA 2P MATERIAL PRISMA POLYESTER160G 130X75X60 LIGHT GREY	<b>84463539</b> (ADEO) <b>106086</b> (INNOVAXE) <b>3276007276282</b> (EAN)	8	L.130xl.75xH.60		FABRIC AERATOR x2 CORD LOCK x1 DRAW STRING x1 EYELET x2 TAB x1 LOOP x1

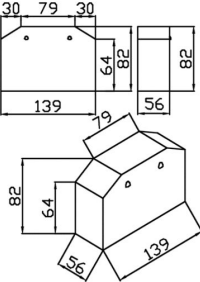
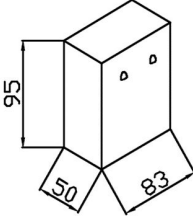
**HOUSSES MATERIAL PRISMA ADEO TECHNICAL SHEET  
ITEMS DIMENSIONS/SHAPES AND SPECIFICATIONS**

Name	References	Number of units per master carton	Dimensions (cm)	Picture	Specifications
COVER FOR SOFA 3P MATERIAL PRISMA POLYESTER160G 205X75X60 LIGHT GREY	<b>84463542</b> (ADEO) <b>106087</b> (INNOVAXE) <b>3276007276299</b> (EAN)	8	L.205xl.75xH.60		FABRIC AERATOR x2 CORD LOCK x1 DRAW STRING x1 EYELET x2 TAB x1 LOOP x1
COVER FOR SIDE UMB. MATERIAL PRISMA POLYESTER160G 45X240 LIGHT GREY	<b>84463543</b> (ADEO) <b>106088</b> (INNOVAXE) <b>3276007276305</b> (EAN)	8	Flat bottom lenght = L.45 cm top diam = 29 cm H.240 cm		FABRIC AERATOR x2 CORD LOCK x3 DRAW STRING x2 EYELET x4 +1 for tutor TAB x1 LOOP x1 TUTOR x1 ZIP x1 130cm +fabric cover 40mm

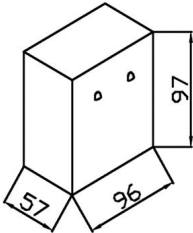
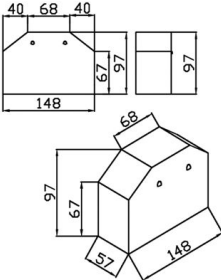
**HOUSSES MATERIAL PRISMA ADEO TECHNICAL SHEET  
ITEMS DIMENSIONS/SHAPES AND SPECIFICATIONS**

Name	References	Number of units per master carton	Dimensions (cm)	Picture	Specifications
COVER FOR ROUND BBQ MATERIAL PRISMA POLYESTER160G 66X66X80 LIGHT GREY	<b>84463547</b> (ADEO) <b>106089</b> (INNOVAXE) <b>3276007276312</b> (EAN)	8	Diam.66xH.80		PP AERATOR x2 CORD LOCK x1 DRAW STRING x1 EYELET x2 TAB x1 LOOP x1 VELCRO STRAP x2 INSTRUCTION MANUAL BBQ
COVER FOR RECT. BBQ L MATERIAL PRISMA POLY160G 116X41X82 LIGHT GREY	<b>84463551</b> (ADEO) <b>106090</b> (INNOVAXE) <b>3276007276329</b> (EAN)	8	L.116xL.41xH.82		PP AERATOR x2 CORD LOCK x1 DRAW STRING x1 EYELET x2 TAB x1 LOOP x1 HOLDING STRAP x1 POP UP 16x16x16 x2 INSTRUCTION MANUAL BBQ

**HOUSSES MATERIAL PRISMA ADEO TECHNICAL SHEET  
ITEMS DIMENSIONS/SHAPES AND SPECIFICATIONS**

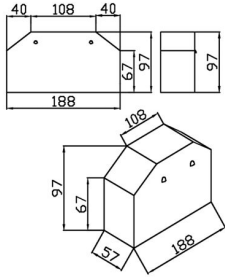
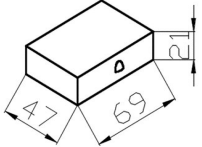
Name	References	Number of units per master carton	Dimensions (cm)	Picture	Specifications
COVER FOR RECT. BBQ XL MATERIAL PRISMA POLY160G 139X56X82 LIGHT GREY	<b>84463552</b> (ADEO) <b>106091</b> (INNOVAXE) <b>3276007276336</b> (EAN)	6	L.139xl.56xH.82		PP AERATOR x2 CORD LOCK x1 DRAW STRING x1 EYELET x2 TAB x1 LOOP x1 HOLDING STRAP x1 POP UP 16x16x16 x2 INSTRUCTION MANUAL BBQ
COVER FOR BBQ GAS M MATERIAL PRISMA POLY160G 83X50X95 LIGHT GREY	<b>84463554</b> (ADEO) <b>106092</b> (INNOVAXE) <b>3276007276343</b> (EAN)	8	L.83xl.50xH.95		PP AERATOR x2 CORD LOCK x1 DRAW STRING x1 EYELET x2 TAB x1 LOOP x1 HOLDING STRAP x1 INSTRUCTION MANUAL BBQ

**HOUSSES MATERIAL PRISMA ADEO TECHNICAL SHEET  
ITEMS DIMENSIONS/SHAPES AND SPECIFICATIONS**

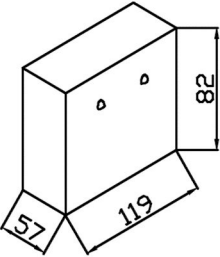
Name	References	Number of units per master carton	Dimensions (cm)	Picture	Specifications
COVER FOR BBQ GAZ L MATERIAL PRISMA POLY160G 96X57X97 LIGHT GREY	<b>84463555</b> (ADEO) <b>106093</b> (INNOVAXE) <b>3276007276350</b> (EAN)	8	L.96xl.57xH.97		PP AERATOR x2 CORD LOCK x1 DRAW STRING x1 EYELET x2 TAB x1 LOOP x1 HOLDING STRAP x1 INSTRUCTION MANUAL BBQ
COVER FOR BBQ GAZ XL MATERIAL PRISMA POLY160G 148X57X97 LIGHT GREY	<b>84463557</b> (ADEO) <b>106094</b> (INNOVAXE) <b>3276007276367</b> (EAN)	6	L.148xl.57xH.97		PP AERATOR x2 CORD LOCK x1 DRAW STRING x1 EYELET x2 TAB x1 LOOP x1 HOLDING STRAP x1 INSTRUCTION MANUAL BBQ



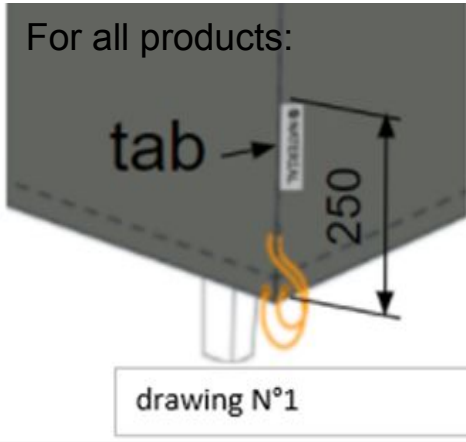
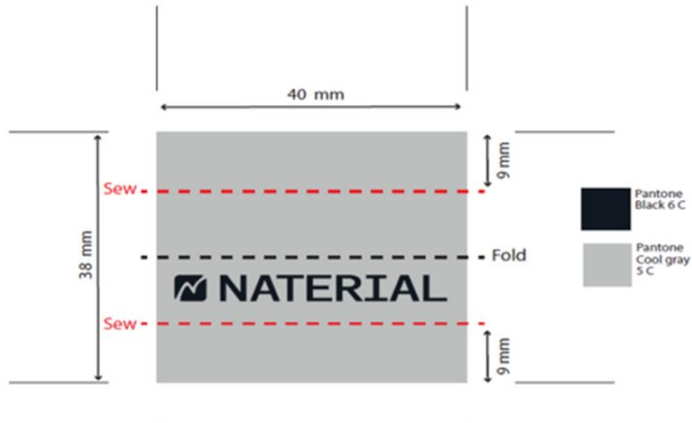
**HOUSSES MATERIAL PRISMA ADEO TECHNICAL SHEET  
ITEMS DIMENSIONS/SHAPES AND SPECIFICATIONS**

Name	References	Number of units per master carton	Dimensions (cm)	Picture	Specifications
COVER FOR BBQ GAZ XXL NATIERIAL PRISMA POLY160G 188X57X97 LIGHT GREY	<b>84463560</b> (ADEO) <b>106095</b> (INNOVAXE) <b>3276007276374</b> (EAN)	6	L.188xI.57xH.97		PP AERATOR x2 CORD LOCK x1 DRAW STRING x1 EYELET x2 TAB x1 LOOP x1 HOLDING STRAP x1 INSTRUCTION MANUAL BBQ
COVER FOR PLANCHA 3B NATIERIAL PRISMA POLY160G 69X47X21 LIGHT GREY	<b>84463561</b> (ADEO) <b>106096</b> (INNOVAXE) <b>3276007276381</b> (EAN)	8	L.69xI.47xH.2		PP AERATOR x2 CORD LOCK x1 DRAW STRING x1 EYELET x2 TAB x1 LOOP x1 HOLDING STRAP x1 POP UP 16x16x16 INSTRUCTION MANUAL BBQ

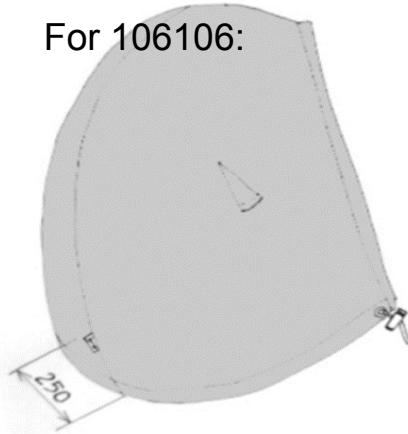
**HOUSES MATERIAL PRISMA ADEO TECHNICAL SHEET  
ITEMS DIMENSIONS/SHAPES AND SPECIFICATIONS**

Name	References	Number of units per master carton	Dimensions (cm)	Picture	Specifications
COVER FOR PLANCHA ON TROLLEY MATERIAL PRISMA POLY160G 119X57X82 L.GREY	<b>84463562</b> (ADEO) <b>106097</b> (INNOVAXE) <b>3276007276398</b> (EAN)	8	L.119xI.57xH.82		PP AERATOR x2 CORD LOCK x1 DRAW STRING x1 EYELET x2 TAB x1 LOOP x1 HOLDING STRAP x1 POP UP 16x16x16 INSTRUCTION MANUAL BBQ

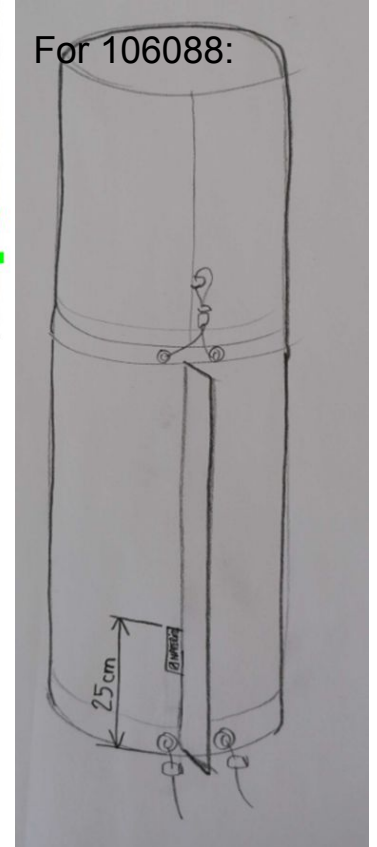
HOUSSES MATERIAL PRISMA ADEO TECHNICAL SHEET  
TAB ON PRODUCT



For 106106:



For 106088:



HOUSSES NATERIAL PRISMA ADEO TECHNICAL SHEET  
**WASHING LABEL**

Dimensions: 6x12cm

Polyester print black

sewn inside at the bottom of the cover

12 cm

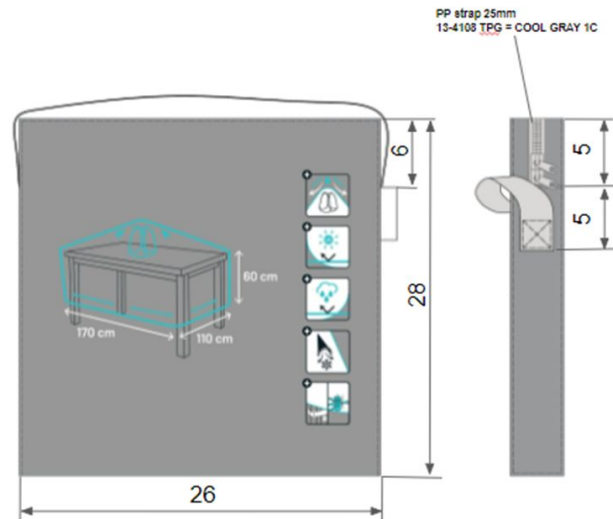
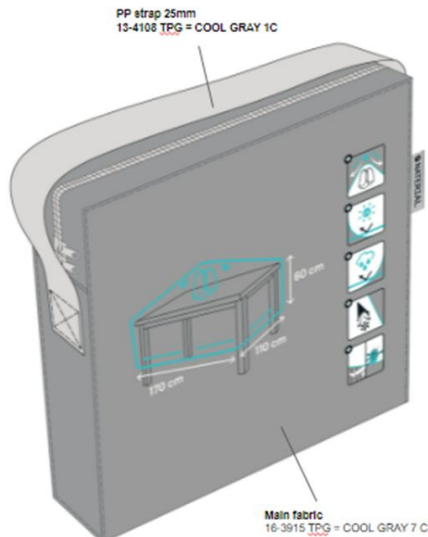
6 cm



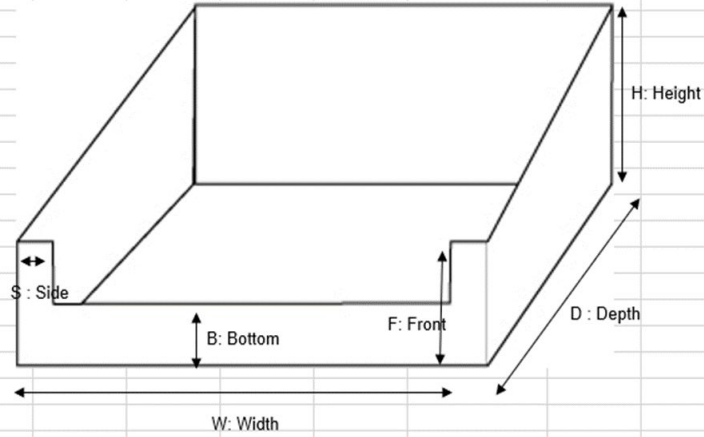
# HOUSES MATERIAL PRISMA ADEO TECHNICAL SHEET

## PACKAGING CARRY BAG

CARRY BAG	
BAG MATERIAL	SAME AS THE COVER
BAG COLOR	SAME AS THE COVER - Color: 16-3915 TPG = COOL GRAY 7 C
DIMENSIONS	L.26xH.28 cm DEPTH TO BE ADAPTED TO THE PRODUCT
PRINTED	FRONT AND BACK
HANDLE	PP strap = 25 mm - 13-4108 TPG = COOL GRAY 1 C
PLASTIC ZIP	Color: 16-3915 TPG = COOL GRAY 1 C
ZIPPERS	double plastic zippers closed by a black swift
TAB	SAME AS THE COVER



HOUSES MATERIAL PRISMA ADEO TECHNICAL SHEET  
PDQ



Material: 3mm natural brown corrugated cardboard + black print

W	S	H	F	B	D
26	5	28	13	5	adapt to the pcb

# HOUSSES NATERIAL PRISMA ADEO TECHNICAL SHEET

## SHIPPING

ADEO REF	INNOVAXE REF	EAN	NAME	Number of units per master carton
84463506	106100	3276007276114	COVER FOR STRAIGHT UMB. NATERIAL PRISMA POLY160G 210X35 LIGHT GREY	6
84463510	106106	3276007276138	COVER FOR EGGCHAIR NATERIAL PRISMA POLY160G 165X179 LIGHT GREY	6
84463509	106105	3276007276121	COVER FOR SWINGCHAIR NATERIAL PRISMA POLY160G 220X148 LIGHT GREY	6
84463511	106101	3276007276145	COVER FOR SQUARE SPA 4P NATERIAL PRISMA POLY160G 162x162x68 L.GREY	6
84463513	106102	3276007276152	COVER FOR SQUARE SPA 6P NATERIAL PRISMA POLY160G 189x189x68 L.GREY	4
84463514	106103	3276007276169	COVER FOR ROUND SPA 4P NATERIAL PRISMA POLY160G D200X71 L.GREY	6
84463515	106104	3276007276176	COVER FOR ROUND SPA 6P NATERIAL PRISMA POLY160G D220X71 L.GREY	4
84463518	106098	3276007276183	COVERS FOR CORNER SET DAVOS NATERIAL PRISMA CORNER+TABLE POLY160G	4
84463519	106099	3276007276190	COVERS FOR CORNER SET SAN DIEGO NATERIAL PRISMA CORNER+TABLE POLY160G	4
84463520	106079	3276007276206	COVER FOR COFFEE SET NATERIAL PRISMA POLY160G 160X160X70 LIGHT GREY	8
84463523	106080	3276007276213	COVER FOR ROUND TABLE NATERIAL PRISMA POLY160G DIAM160X60 LIGHT GREY	8

# HOUSSES NATERIAL PRISMA ADEO TECHNICAL SHEET

## SHIPPING




ADEO REF	INNOVAXE REF	EAN	NAME	Number of units per master carton
84463527	106078	3276007276220	COVER FOR RECT. TABLE M NATERIAL PRISMA POLY160G 170X110X60 L.GREY	8
84463528	106081	3276007276237	COVER FOR RECT. TABLE L NATERIAL PRISMA POLY160G 200X130X60 L.GREY	6
84463529	106082	3276007276244	COVER FOR RECT. TABLE XL NATERIAL PRISMA POLY160G 250X130X60 L.GREY	6
84463533	106083	3276007276251	COVER FOR STACKING CHAIRS NATERIAL PRISMA POLY160G 66X66X105/70 L.GREY	8
84463536	106084	3276007276268	COVER FOR SUNBED NATERIAL PRISMA POLYESTER160G 200X75X45 LIGHT GREY	8
84463537	106085	3276007276275	COVER FOR ARMCHAIR NATERIAL PRISMA POLYESTER160G 75X75X60 LIGHT GREY	8
84463539	106086	3276007276282	COVER FOR SOFA 2P NATERIAL PRISMA POLYESTER160G 130X75X60 LIGHT GREY	6
84463542	106087	3276007276299	COVER FOR SOFA 3P NATERIAL PRISMA POLYESTER160G 205X75X60 LIGHT GREY	8
84463543	106088	3276007276305	COVER FOR SIDE UMB. NATERIAL PRISMA POLYESTER160G 45X240 LIGHT GREY	8
84463547	106089	3276007276312	COVER FOR ROUND BBQ NATERIAL PRISMA POLYESTER160G 66X66X80 LIGHT GREY	8
84463555	106093	3276007276350	COVER FOR BBQ GAZ L NATERIAL PRISMA POLY160G 96X57X97 LIGHT GREY	8



# HOUSES NATERIAL PRISMA ADEO TECHNICAL SHEET

## SHIPPING

ADEO REF	INNOVAXE REF	EAN	NAME	Number of units per master carton
84463557	106094	3276007276367	COVER FOR BBQ GAZ XL NATERIAL PRISMA POLY160G 148X57X97 LIGHT GREY	6
84463560	106095	3276007276374	COVER FOR BBQ GAZ XXL NATERIAL PRISMA POLY160G 188X57X97 LIGHT GREY	6
84463561	106096	3276007276381	COVER FOR PLANCHA 3B NATERIAL PRISMA POLY160G 69X47X21 LIGHT GREY	8
84463562	106097	3276007276398	COVER FOR PLANCHA ON TROLLEY NATERIAL PRISMA POLY160G 119X57X82 L.GREY	8

CARTON THICKNESS	SIMPLE		
	DOUBLE		X
	TRIPLE		

CARTON STRAPPED ?	YES	
	NO	X



Print this drawing  
next to arrows  
and umbrellas

# HOUSSES MATERIAL PRISMA ADEO TECHNICAL SHEET SHIPPING

## SHIPPING MARK INSTRUCTIONS FOR BIG CARTON (sizes higher than 50cm)



**SHIPPING** MUST BE PRINT ON A STICKER - **SIZE: L.16 \* H.8,5 CM**  
PLEASE PUT 2 STICKERS ON EACH CARTON:  
1 ON EACH OPPOSITED SIDE, ON TOP RIGHT OF THE BIGGER FACE.

**SIZE AND WEIGHT MARK** MUST BE PRINT ON EACH CARTON:  
1 PRINT ON EACH OPPOSITED SIDE, ON MIDDLE OF THE SMALLER FACE.

**SHIPPING** MUST BE PRINT ON THE CARTON.  
ADJUST THE SIZE (see picture)  
PLEASE PUT 2 PRINTS ON EACH CARTON:  
1 ON EACH OPPOSITED SIDE, ON MIDDLE OF THE BIGGER FACE.

**CODE or REFERENCE** MUST BE PRINT ON EACH FACE OF THE CARTON.  
ADJUST THE SIZE (see picture)

## SHIPPING MARK INSTRUCTIONS FOR SMALL CARTON (sizes lower than 50 cm)



**SHIPPING** MUST BE PRINT ON A STICKER - **SIZE: L.16 \* H.8,5 CM**  
PLEASE PUT 2 STICKERS ON EACH CARTON:  
1 ON EACH OPPOSITED SIDE, ON MIDDLE OF THE BIGGER FACE.

**SIZE AND WEIGHT MARK** MUST BE PRINT ON EACH CARTON:  
1 PRINT ON EACH OPPOSITED SIDE, ON MIDDLE OF THE SMALLER FACE.

**CODE or REFERENCE** MUST BE PRINT ON EACH FACE OF THE CARTON.  
ADJUST THE SIZE (see picture)

PLEASE PRINT THE «UMBRELLA» AND «ARROWS» LOGOS  
ON EACH SIDE OF THE CARTON: ON THE TOP LEFT CORNER



Exemple of Size and Weight mark	N.W: 0.00 KG
	G.W: 0.00 KG
	QTY: 00 PCS
	SIZE: 00 x 00 x 00 CM
	CTN N° 00 of 00