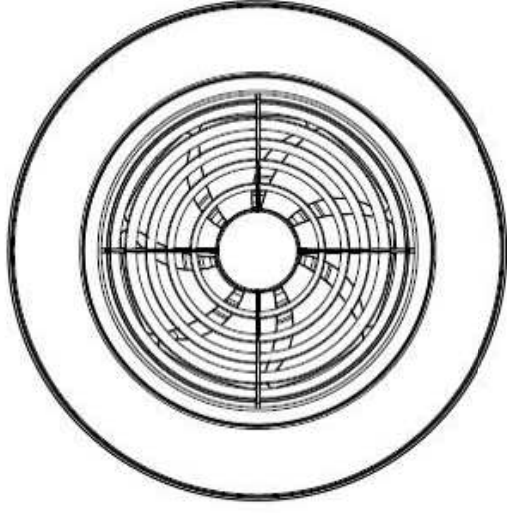
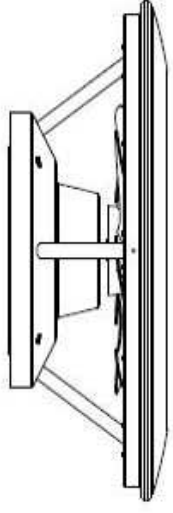
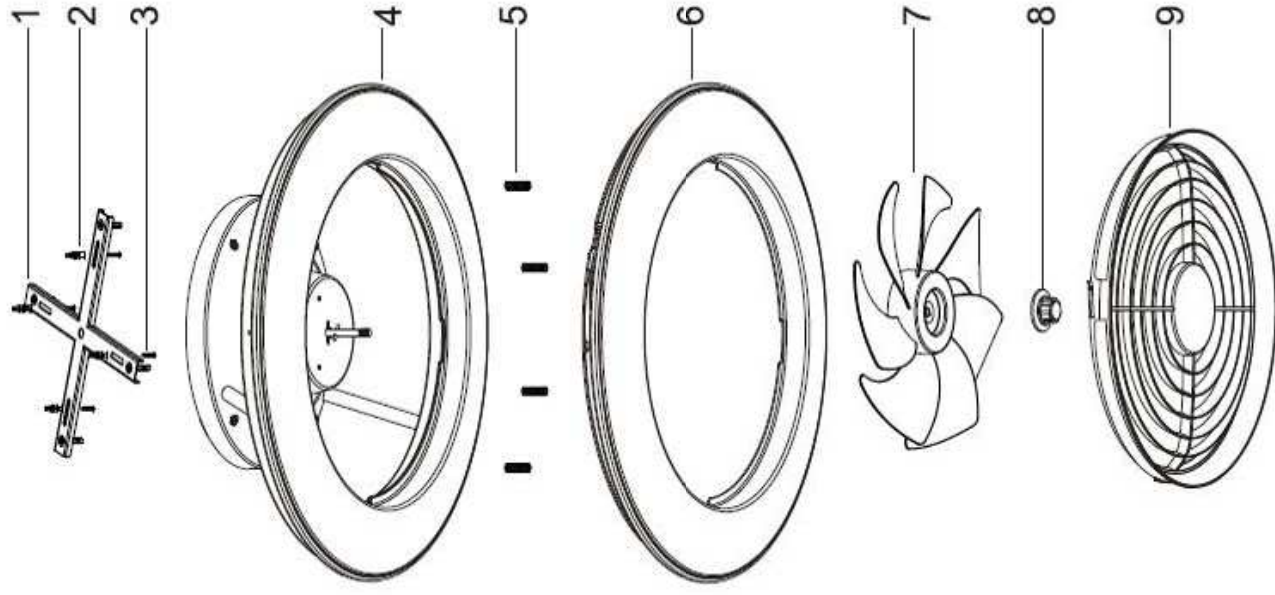
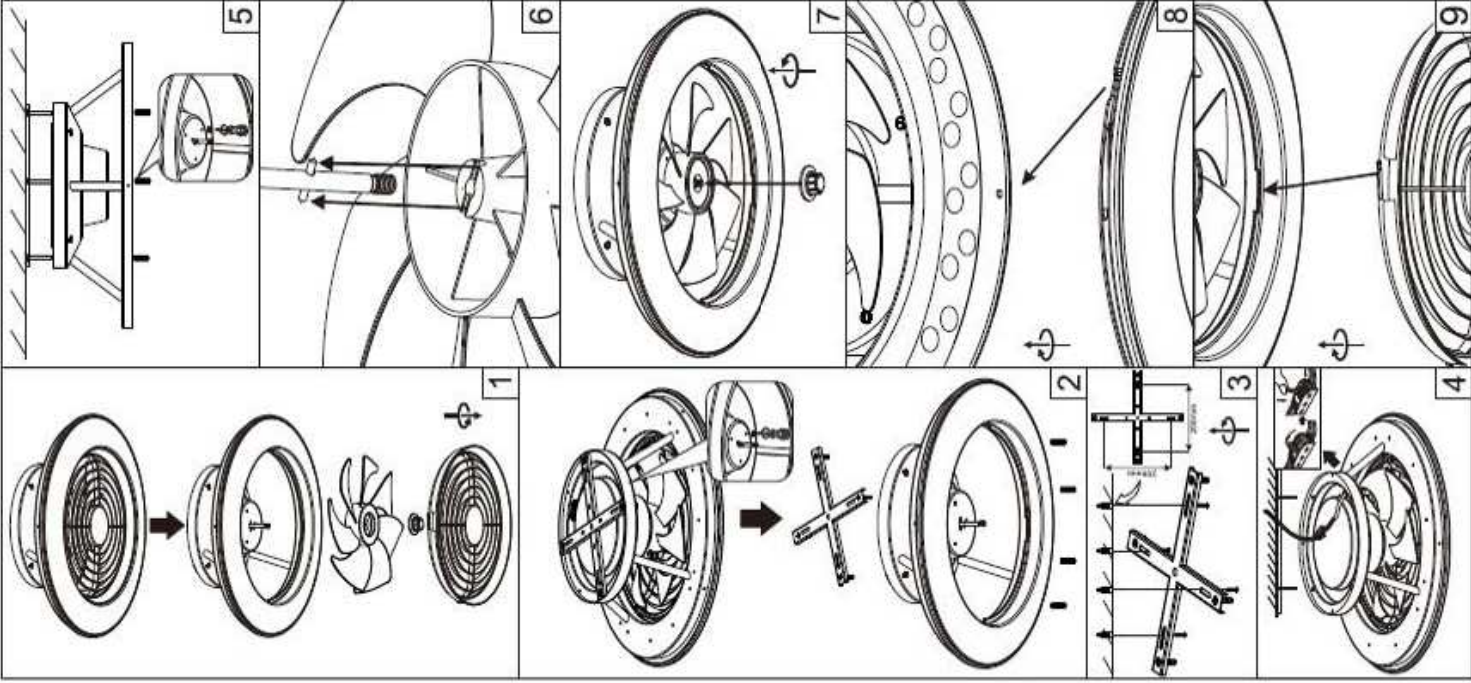
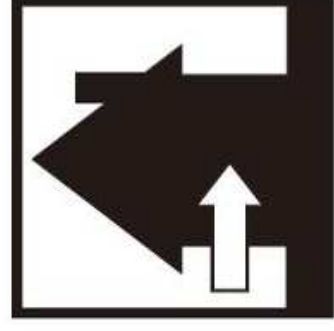


# Assembly Instructions / Instrucciones De Montaje



MOTOR 28W  
LED 70W 2700K-5000K 4100lm  
220-240V~50/60Hz



REF.:  
7493/7494/7495

mantra



<https://www.mantrailuminacion.com/videos-mantra>