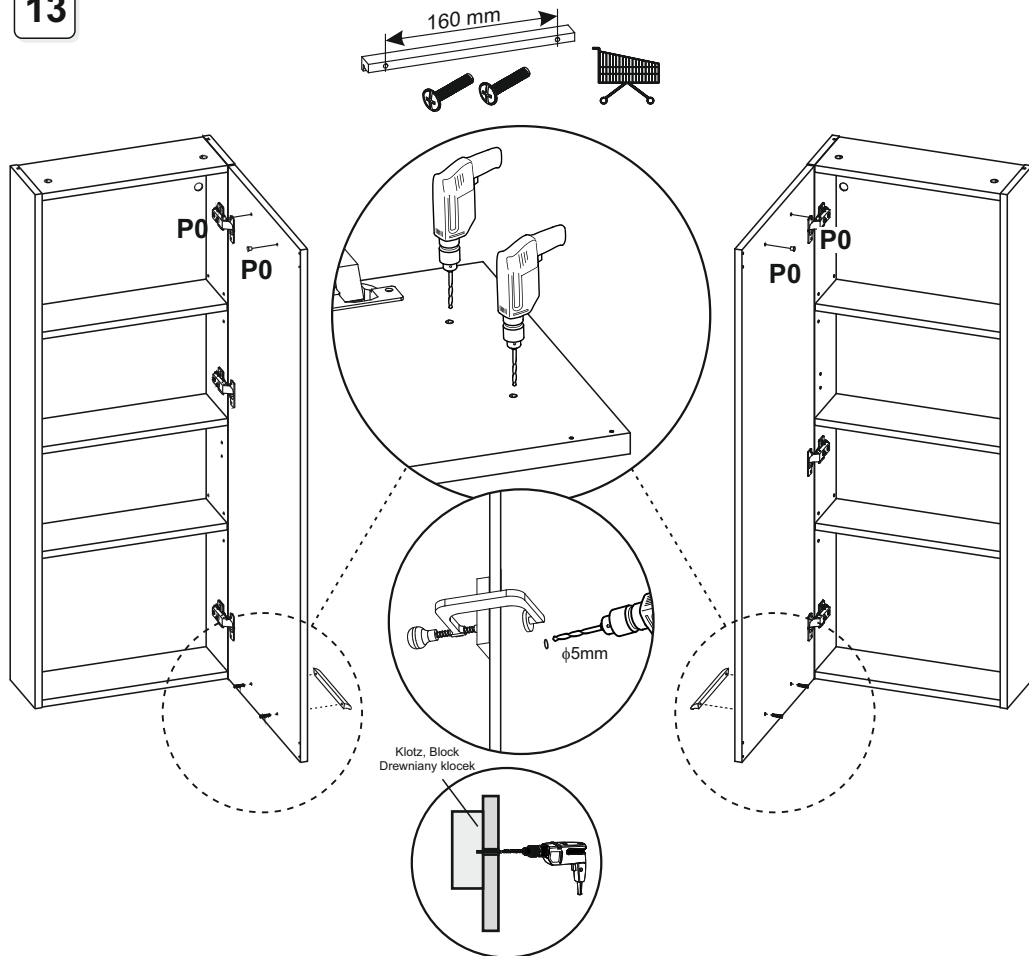
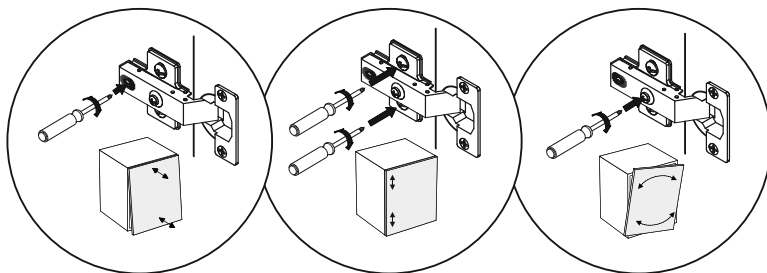


13



14



Karta Gwarancyjna
Warranty card
Garantiekarte

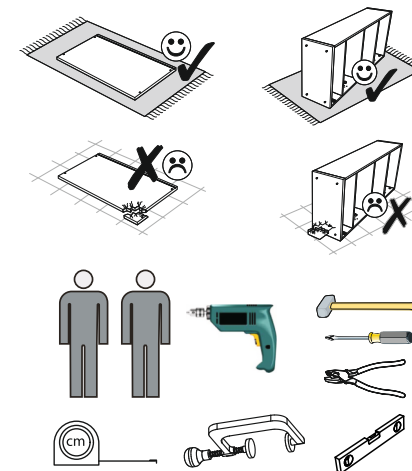
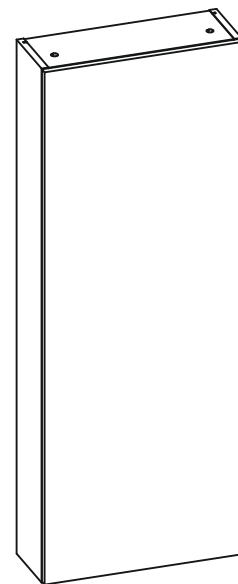


Formularz zgłoszenia reklamacji
Complaint submission form
Formular für die Einreichung von Beschwerden



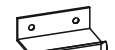

Filmy instruktażowe
Tutorial videos
Lehrvideos




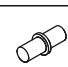
45 1D


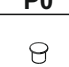





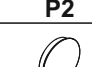


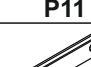
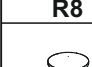
UWAGA! Wyrób należy trwale zamocować do ściany, aby uniknąć ryzyka związanego z przewróceniem / spadnięciem wyrobu. W paczce nie ma śrub mocujących, ponieważ rodzaj mocowania należy dobrać odpowiednio do rodzaju ściany. Dobierz właściwie do Twojego rodzaju ściany.

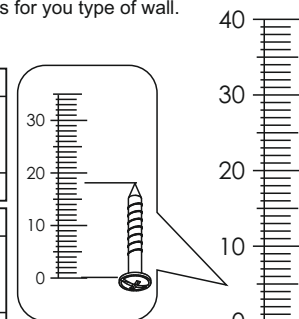
WARNING! To prevent this furniture from tripping over, fix it to the wall permanently. Fixing devices are not included since different wall materials require different types of fixing devices. Please make sure you choose the correct ones for your type of wall.

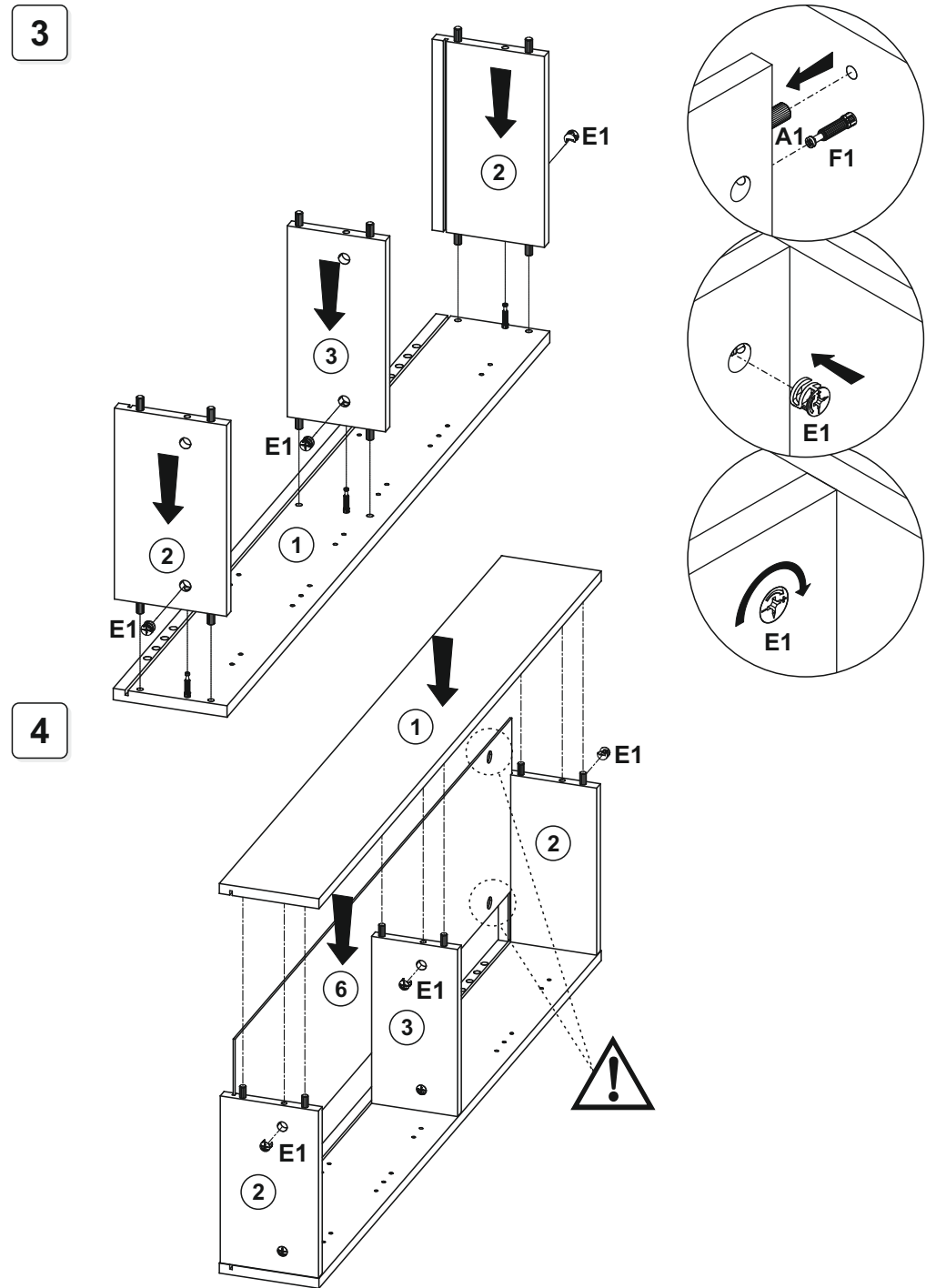
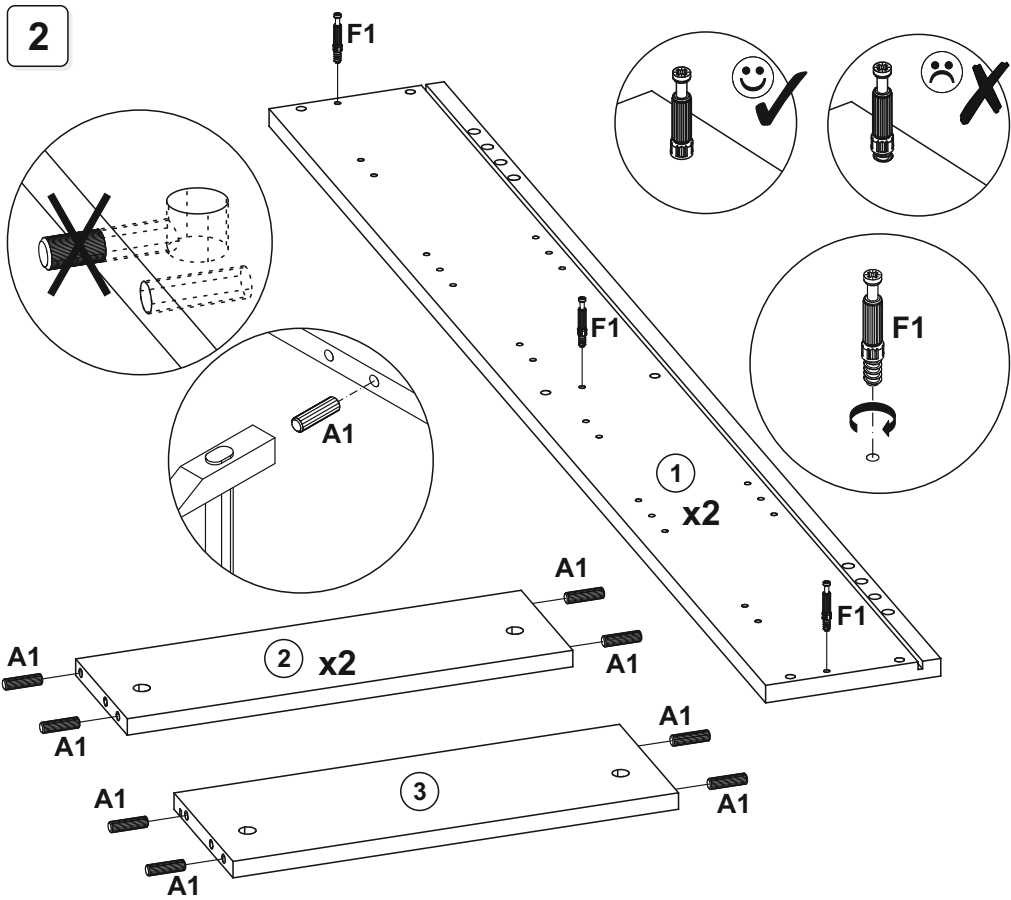
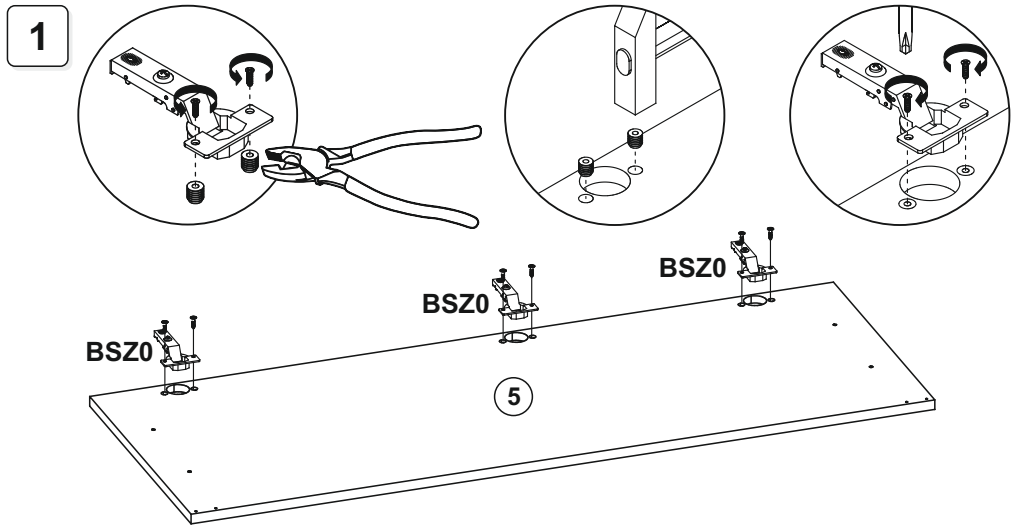
H  x 1	N5  US3,5x16 x 2
---------------------------------------------------------------------------------------------------------	----------------------------------------------------------------------------------------------------------------------

A1  x 12	BS2  H=2 x 3	BSZ0  KR=0 x 3	D1  x 8
------------------------------------------------------------------------------------------------------------	-------------------------------------------------------------------------------------------------------------------	---------------------------------------------------------------------------------------------------------------------	-----------------------------------------------------------------------------------------------------------

G72  x 1	P0  ø 5 x 30	E1  x 6	F1  x 6	G71  x 1
------------------------------------------------------------------------------------------------------------	-------------------------------------------------------------------------------------------------------------------	-----------------------------------------------------------------------------------------------------------	-----------------------------------------------------------------------------------------------------------	------------------------------------------------------------------------------------------------------------

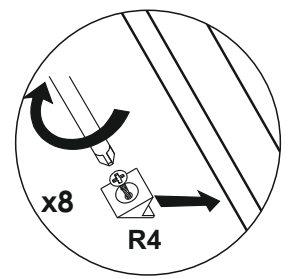
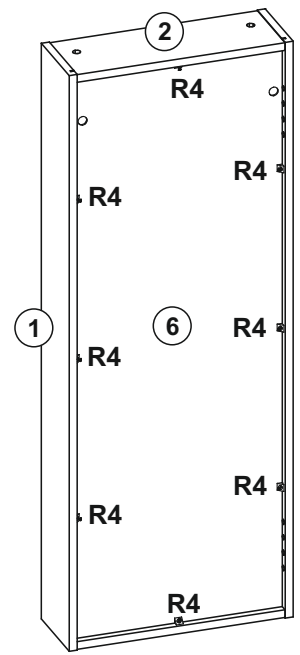
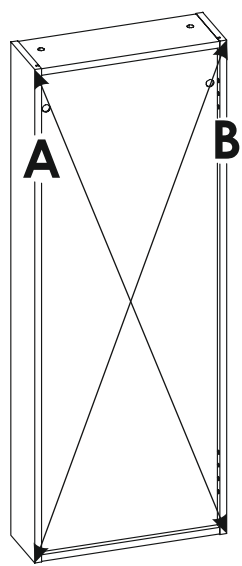
P2  ø 18 x 2	R4  x 8	ZR4  L+P x 1	P11  x 2	R8  ø 8 x 3
-------------------------------------------------------------------------------------------------------------------	-----------------------------------------------------------------------------------------------------------	-------------------------------------------------------------------------------------------------------------------	------------------------------------------------------------------------------------------------------------	------------------------------------------------------------------------------------------------------------------



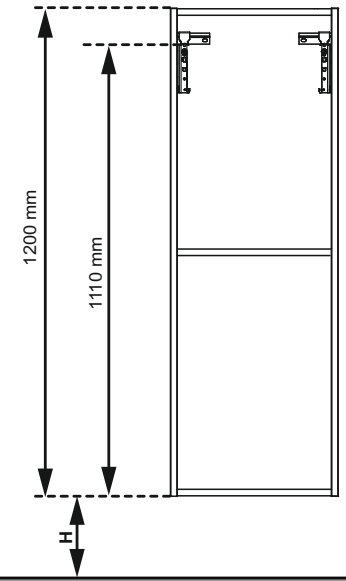


5

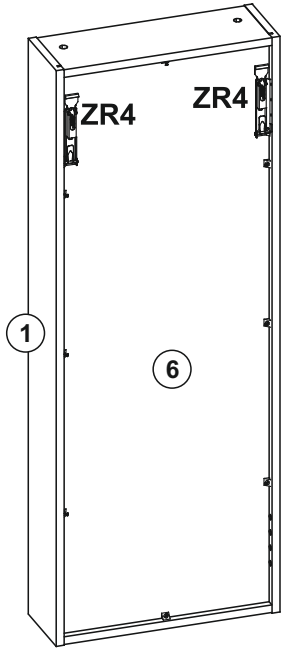
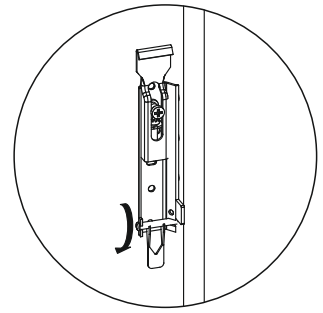
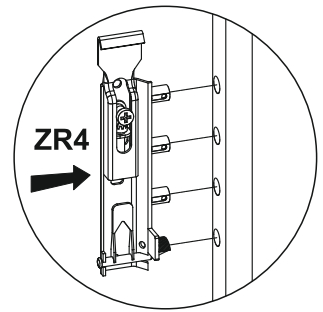
A=B



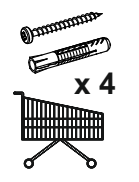
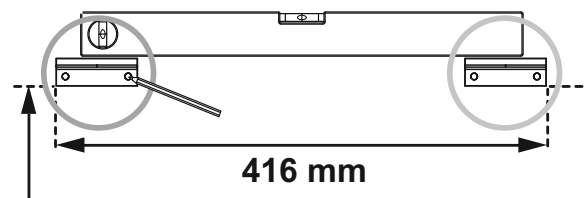
7



6



8



H + 1110 mm

