

Original instructions

---

# DEXTER POWER

PLD3112B






ELECTRIC SPRAY GUN



ADEO Services, 135 Rue Sadi Carnot - CS 00001, 59790 RONCHIN - France

Made in China 2022

### Symbol Explanation

	WARNING - To reduce the risk of injury, user must read instruction manual
	The product complies with the applicable European Directives and an evaluation method of conformity.
	Safety Class II
	Do not dispose of electrical equipment in the Domestic waste.
	This product is recyclable. If it cannot be used anymore, please take it to waste recycling centre.



**WARNING! Read all safety warnings and all Instructions .**

## **GENERAL POWER TOOL SAFETY WARNINGS**



**WARNING** Read all safety warnings and all instructions. *Failure to follow the warnings and instructions may result in electric shock, fire and/or serious injury.*

**Save all warnings and instructions for future reference.**

*The term "power tool" in the warnings refers to your mains-operated (corded) power tool or battery-operated (cordless) power tool.*

### **1) Work area safety**

- a) **Keep work area clean and well lit.** *Cluttered or dark areas invite accidents.*
- b) **Do not operate power tools in explosive atmospheres, such as in the presence of flammable liquids, gases or dust.** *Power tools create sparks which may ignite the dust or fumes.*
- c) **Keep children and bystanders away while operating a power tool.** *Distractions can cause you to lose control.*

### **2) Electrical safety**

- a) **Power tool plugs must match the outlet. Never modify the plug in any way. Do not use any adapter plugs with earthed (grounded) power tools.** *Unmodified plugs and matching outlets will reduce risk of electric shock.*
- b) **Avoid body contact with earthed or grounded surfaces, such as pipes, radiators, ranges and refrigerators.** *There is an increased risk of electric shock if your body is earthed or grounded.*

- c) **Do not expose power tools to rain or wet conditions.** *Water entering a power tool will increase the risk of electric shock.*
- d) **Do not abuse the cord. Never use the cord for carrying, pulling or unplugging the power tool. Keep cord away from heat, oil, sharp edges or moving parts.** *Damaged or entangled cords increase the risk of electric shock.*
- e) **When operating a power tool outdoors, use an extension cord suitable for outdoor use.** *Use of a cord suitable for outdoor use reduces the risk of electric shock.*
- f) **If operating a power tool in a damp location is unavoidable, use a residual current device (RCD) protected supply.** *Use of an RCD reduces the risk of electric shock.*

### 3) Personal safety

- a) **Stay alert, watch what you are doing and use common sense when operating a power tool. Do not use a power tool while you are tired or under the influence of drugs, alcohol or medication.** *A moment of inattention while operating power tools may result in serious personal injury.*
- b) **Use personal protective equipment. Always wear eye protection.** *Protective equipment such as dust mask, non-skid safety shoes, hard hat, or hearing protection used for appropriate conditions will reduce personal injuries.*
- c) **Prevent unintentional starting. Ensure the switch is in the off-position before connecting to power source and/or battery pack, picking up or carrying the tool.** *Carrying power tools with your finger on the switch or energising power tools that have the switch on invites accidents.*
- d) **Remove any adjusting key or wrench before turning the power tool on.** *A wrench or a key left attached to a rotating part of the power tool may result in personal injury.*
- e) **Do not overreach. Keep proper footing and balance at all times.** *This enables better control of the power tool in unexpected situations.*
- f) **Dress properly. Do not wear loose clothing or jewellery. Keep your hair, clothing and gloves away from moving parts.** *Loose clothes, jewellery*

*or long hair can be caught in moving parts.*

**g) If devices are provided for the connection of dust extraction and collection facilities, ensure these are connected and properly used. Use of dust collection can reduce dust-related hazards.**

#### **4) Power tool use and care**

**a) Do not force the power tool. Use the correct power tool for your application. The correct power tool will do the job better and safer at the rate for which it was designed.**

**b) Do not use the power tool if the switch does not turn it on and off. Any power tool that cannot be controlled with the switch is dangerous and must be repaired.**

**c) Disconnect the plug from the power source and/or the battery pack from the power tool before making any adjustments, changing accessories, or storing power tools. Such preventive safety measures reduce the risk of starting the power tool accidentally.**

**d) Store idle power tools out of the reach of children and do not allow persons unfamiliar with the power tool or these instructions to operate the power tool. Power tools are dangerous in the hands of untrained users.**

**e) Maintain power tools. Check for misalignment or binding of moving parts, breakage of parts and any other condition that may affect the power tool's operation. If damaged, have the power tool repaired before use. Many accidents are caused by poorly maintained power tools.**

**f) Keep cutting tools sharp and clean. Properly maintained cutting tools with sharp cutting edges are less likely to bind and are easier to control.**

**g) Use the power tool, accessories and tool bits etc. in accordance with these instructions, taking into account the working conditions and the work to be performed. Use of the power tool for operations different from those intended could result in a hazardous situation.**

#### **5) Service**

a) **Have your power tool serviced by a qualified repair person using only identical replacement parts.** *This will ensure that the safety of the power tool is maintained.*

**6) Addition Safety for Spray Gun**

a) **Do not use guns for spraying flammable materials.**

b) **Beware of any hazard presented by the material being sprayed and consult the markings on the container or the information supplied by the manufacture.**

c) **Do not spray any material where the hazard is not known.**

d) **Always wear a dust mask while spraying.**

e) **Recommend to wear ear protection during the operation.**

f) **Do not clean guns with flammable solvents.**

g) **Warning! Remove the plug from the socket before carrying out any adjustment, servicing or maintenance.**

h) **If the replacement of the supply cord is necessary, this has to be done by the manufacturer or his agent in order to avoid a safety hazard.**

i) **If the carbon brushes need to be replaced, have this done by a qualified repair person (always replace the two brushed at the same time).**



## **Safety instructions for PLD3112B**

1) Please read the operating instructions thoroughly and observe the safety instructions

2) Only coating materials such as paints, enamels, varnishes, etc, with a flash point of 21°C (32°C in the United Kingdom) and above may be sprayed, without additional warming. In Germany these are coating materials in the danger classes A II and AIII, see paint tin.

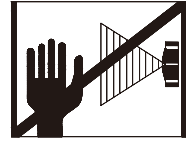
3) The device may not be based in work places which are covered by the explosion protection regulations.

4) When spraying, ensure that there are no sources of ignition, e.g. open fire, cigarettes, cigars, and pipes, sparks, glowing wires, hot surfaces, etc, in the

area.

**5)Recommendation: wear breathing protection when spraying.**

**6)Caution, danger of injury!  
Never point the spray gun at yourself or other persons or animals.**



**7)When working with the device PLD3112B inside and outside care must be taken that no solvent vapors are sucked into the device.**

**8)When outdoors observe wind direction. When working indoors ensure that there is sufficient ventilation.**

**9)Do not spray at the device.**

**10)The device only splash-proof when the air hose is correctly connected.**

**11)Do not let children play with the device. Keep out of reach of children.**

**12)Care must be taken that the mains cable is not damaged. If damage is observed take immediately to an authorized customer service centre to be changed.**

**13)Remove mains plug from socket when not in use.**

**14)Repairs to electrical parts should only be carried out at an authorized customer service center.**

**15)Do not use spray guns to spray flammable liquids.**

**16)Do not clean spray guns with flammable solvents.**

**17)Take precautionary measures against potential hazards from spray liquid and follow any instructions given on containers or laid down by the manufacturer of liquid.**

**18)Do not spray any liquids of unknown hazard potential.**

**19)Keep work area clean and well lit.**

**20)Do not operate power tools in explosive atmosphere, such as in the presence of flammable liquids, gases or dust.**

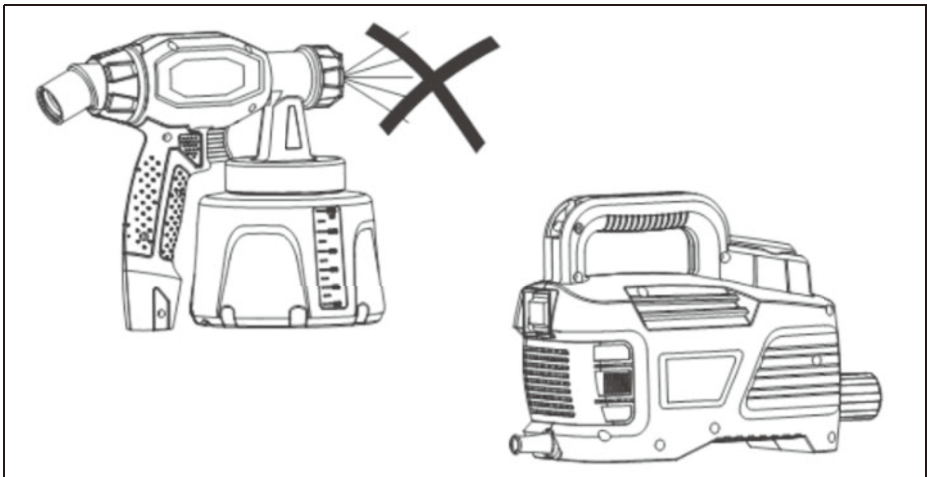
- 21) Keep children and bystanders away while operating a power tool.
- 22) Power tool plugs must match the outlet. Never modify the plug in any way. Do not use any adapter plugs with earthed (grounded) power tools.
- 23) Avoid body contact with earthed or grounded surfaces such as pipes, radiators, ranges and refrigerators.
- 24) Do not expose power tools to rain or wet conditions.
- 25) Do not abuse the cord. Never use the cord for carrying, pulling or unpulling the power tool. Keep cord away from heat, oil, sharp edges or moving parts.
- 26) When operating a power tool outdoors, use an extension cord suitable for outdoor use.
- 27) Stay alert, watch what you are doing and use common sense when operating a power tool. Do not use a power tool while you are tired or under the influence of drugs, alcohol or medication.
- 28) Use safety equipment. Always wear eye protection.
- 29) Avoid accidental starting. Ensure the switch is in the off position before plugging in.
- 30) Remove any adjusting key or wrench before turning the power tool on.
- 31) Do not overreach. Keep proper footing and balance at all times.
- 32) Dress properly. Do not wear loose clothing or jewellery. Keep your hair, clothing and gloves away from moving parts.
- 33) If devices are provided for the connection of dust extraction and collection facilities, ensure these are connected and properly used.
- 34) Do not force the power tool. Use the correct power tool for your application.
- 35) Do not use the power tool if the switch does not turn in on and off.
- 36) Disconnect the plug from the power source before making any adjustment, changing accessories, or storing power tools.
- 37) Store idle power tools out of the reach of children and do not allow persons unfamiliar with the power tool or these instructions to operate the power tool.
- 38) Maintain power tools. Check for misalignment or binding of moving parts, breakage of parts and any other condition that may affect the power tools

operation. If damaged, have the power tool repaired before use.

**39)** Use the power tool, accessories and tool bits etc, in accordance with these instructions and in the manner intended for the particular type of power tool, taking into account the working conditions and the work to be performed

**40)** Have your power tool serviced by a qualified repair person using only identical replacement parts.

**41)** When spraying normally, the motor should not be under the head of the gun and the container.



**42)** Forbidden to spray to the hatch of the motor and etc.


## Technical data PLD3112B

**Max. viscosity:**

**60DIN-s**

**Voltage:**

**220-240Va.c. 50Hz**

<b>Power consumption:</b>	<b>600W</b>
<b>IP Class:</b>	<b>IP 23</b>
<b>Max. back air pressure:</b>	<b>0.1-0.3bar</b>
<b>Double insulation:</b>	
<b>Mains cable:</b>	<b>1.8m</b>
<b>Sound pressure level:</b>	<b>80.9 dB(A)</b> ( uncertainty K=3dB(A) )
<b>Sound power level:</b>	<b>91.9 dB(A)</b> ( uncertainty K=3dB(A) )
<b>Oscillation level:</b>	<b>&lt;0.25m/s<sup>2</sup></b> ( uncertainty K=1.5m/s <sup>2</sup> )
<b>Air hose length:</b>	<b>1.8m</b>
<b>Container capacity:</b>	<b>900ml</b>
<b>Nozzle size:</b>	<b>∅2.5mm</b>
<b>Weight:</b>	<b>2.5kg</b>

## Explanation of the system

The device works according to low pressure spraying technique. A high volume of air surrounds the spray jet being ejected under low pressure. The air cap provides a very fine atomization with the lowest of spray mist. The coating material is applied to the object quickly and exactly.

Moreover, the air flow shortens the drying time for the coating material. This gives perfect spraying result with a respective saving of coating material and is therefore good for the environment.

## Function description

The motor blower produces a flow of air which flows through the air hose to the spray gun. The air flow atomizes the coating material at the nozzle and also pressurizes the container. This pressure pushes the coating material up the ascending pipe to the nozzle. The air and pressure setting can be adjusted progressively.

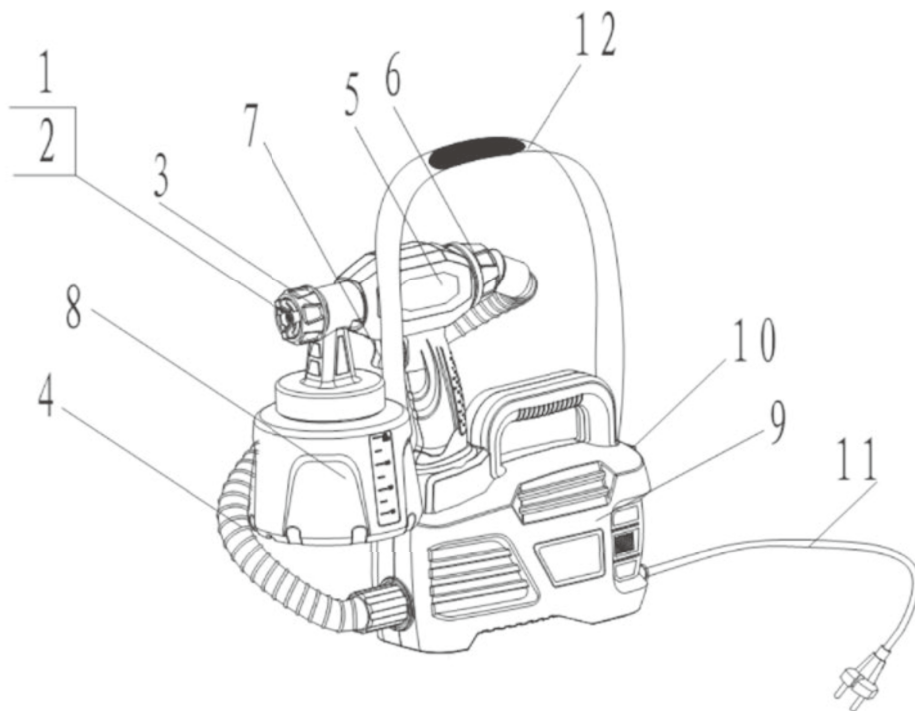
## Coating Material Suitable for Use

Water- and solvent-based paints, emulsion paint, finishes, primers, 2-component paints, Clear finishes, automotive finishes, staining sealers and wood sealer-preservatives.

## Coating Material Not Suitable for Use

Materials that contain highly abrasive components, facade paint, sealant, caustic solutions and acidic coating substances.

Coating material with a flash point below 21°C.



## Explanatory diagram PLD3112B

1 Air cap

2 nozzle

- |                             |                  |
|-----------------------------|------------------|
| 3 Union nut                 | 8 Container      |
| 4 Air hose                  | 9 Motor blower   |
| 5 Spray gun                 | 10 ON/OFF switch |
| 6 Material adjustment screw | 11 Mains cable   |
| 7 Trigger                   | 12 Strap         |

## Preparation of the coating material

Information regarding a sprayable dilution is normally not to be found on the material tin.

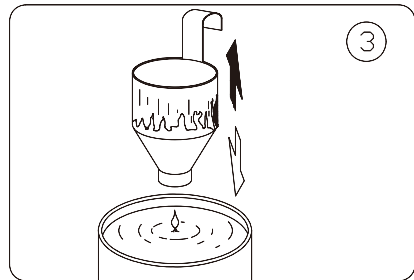
Therefore, use the viscosity table viscosity =thickness of the coating material

### Measuring the viscosity

#### using the viscosity

#### measuring cup

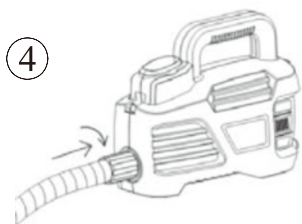
1. Thoroughly stir the coating material before starting measurement.
2. Immerse the viscosity measuring cup (contents 100cm<sup>3</sup>) completely in the coating material below rim level and allow to fill.
3. Lift the viscosity measuring cup and measure the time in seconds until the flow of coating material stops.



**This run-out time is called DIN seconds (DIN-s).**

### Viscosity table see next page

Viscosity table	
Coating material	Viscosity DIN-s
Solvent containing gloss paints -----	15-50
Primers -----	25-50
Mordants-----	undiluted
2 component paints-----	20-50
Clear varnishes-----	15-40
Water-dilutable gloss paints-----	20-40
Motor-vehicle enamels -----	20-40
Wood preservatives -----	undiluted



1. Attach air hose .

**Device end** (fig.4)

Place air hose end with pin in guide.

Secure by turning.

**Spray gun end** (fig.5)

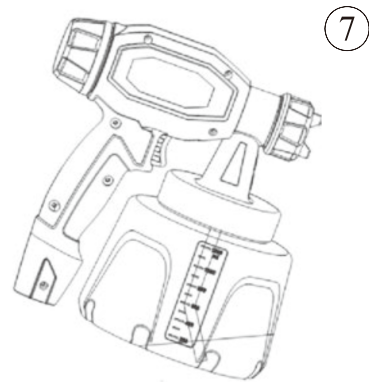
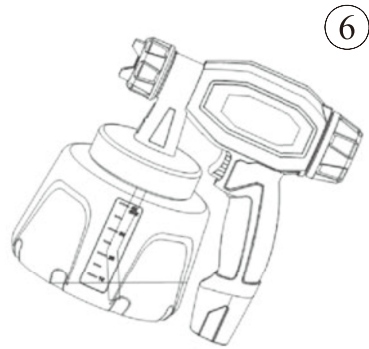
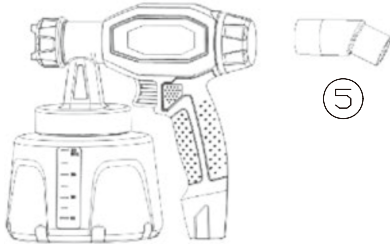
Place the air hose firmly into the connection on the spray gun.

## Starting up

Any position can be chosen for connection.

2. Unscrew the container from the spray gun .
3. Adjust the ascending pipe accordingly.

It should be possible to spray the contents of the container leaving hardly any material left in the container



## Spraying with horizontal objects (fig.7)

Turn ascending pipe A forwards.

## Spraying overhead objects (fig.6)

Turn ascending pipe A to point backwards.

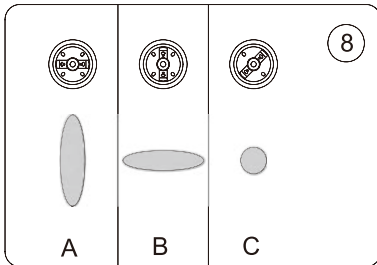
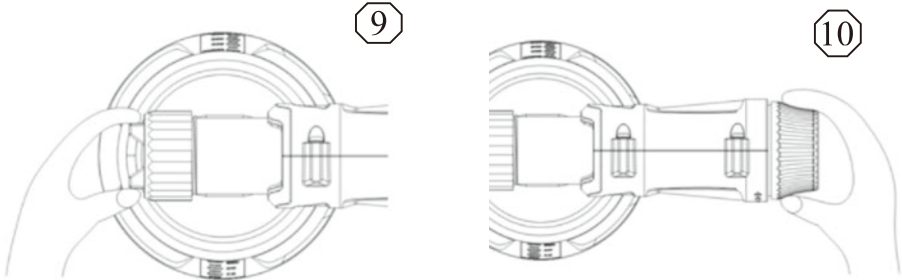
4. Fill container with coating material.  
**Screw firmly onto spray gun.**
5. Place the spray gun in the spray gun holder.
6. Only place the device on an even and clean surfaces. Device could suck to dust ,etc.
7. Before connecting to the mains ensure that the mains voltage corresponds with the details on the rating plate.
8. Remove the spray gun from the spray gun holder and point at object to be sprayed. Turn on using.

9. ON/OFF switch on the device.

10. Adjust the spraying pattern and amount of material; set the amount of air and pressure, see fig.8,9,10 and the description page 14.
11. Open trigger on the spray gun.

### Note:

When the device is switch on the air will flow continually from the air cap



### Adjusting the spray gun

#### Choice of spraying effects

**A** =vertical flat jet

for horizontal surfaces

**B** =horizontal jet

for vertical surfaces.

**C** =round jet

for corners and edges and other badly accessible places

#### Adjusting the required spray effect

With the union nut (3) loosened, turn air cap (1) to the required spray pattern.

#### Caution:

Never open trigger when making adjustments on the air cap.

#### Adjusting the amount of material

Adjust the amount of material by turning the adjustment screw.

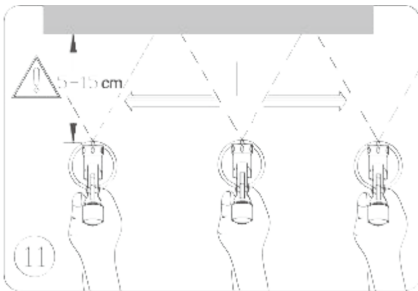
+turn to the right –more material

-turn to the left –less material

## Spraying technique

The spraying result depends considerably on how smooth and clean the surface is before spraying begins. For this reason the surface should be carefully prepared and kept free of dust. Surfaces not to be sprayed should be covered with sticky tape and newspaper. Cover threads and the like on the object to be sprayed.

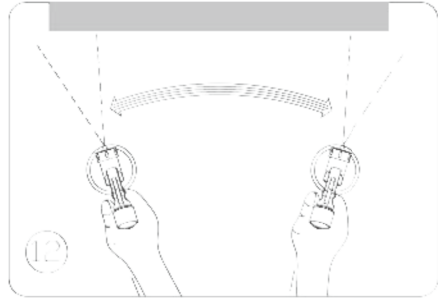
It is advisable to carry out a trial spraying onto cardboard or a similar surface to find the most suitable spray gun adjustments.



If coating material builds up on the nozzle (2) and air cap (1) clean both parts with solvent or water.

### Breaks in work

- Turn off device.
- Place spray gun in spray gun holder.



**Important:** start spraying outside the surface to be sprayed and avoid stopping on the surface.

### Right (fig.11)

**Always hold the spray gun at an even distance of approx. 5-15cm from the object to be sprayed.** Move the spray gun evenly across or up and down, depending on the adjusted spraying effect. An even movement of the spray gun will give a uniform surface quality

### Wrong (fig.12)

**Excessive paint mist formation  
uneven surface finish**

### **Closing down and cleaning**

1. Turn off device. Open trigger so that the coating material in spray gun runs back into the container.
2. Unscrew the container. Return remaining coating material into the material can.
3. Clean the container and ascending pipe with a brush.
4. Fill the container with solvent or water.

Screw container back in place.

### **Only use solvent with a flash point of over 21 °C**

Turn on device and spray the solvent or water into a container.

If a tube is not used, some solvent or water will be deposited outside the container.

This is due to the high air volume.

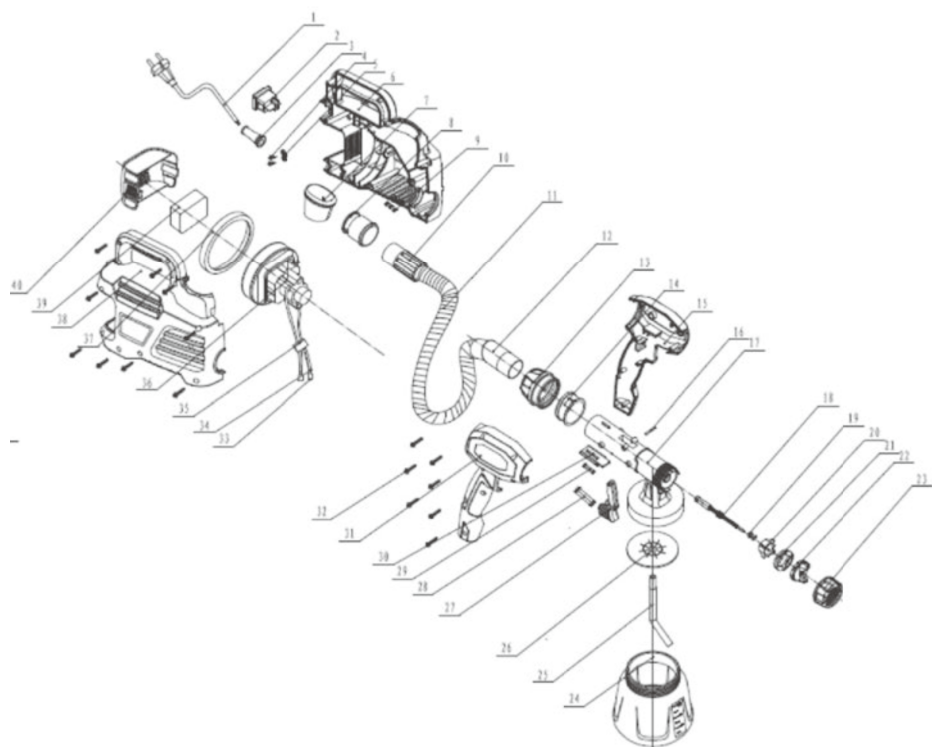
5. Repeat the above procedure until clear solvent or water comes out of the nozzle.
6. Turn off device.
7. Then completely empty the container. Always keep the container seal free of coating material and check for damage.
8. Clean the outside of the spray gun and container with a cloth soaked in solvent or water.
9. Unscrew the union nut. Remove air cap .Clean the air cap and nozzle with brush and solvent or water .

### **Note:**

Never clean the nozzle or air hole of the spray gun with sharp metallic objects.

power tools with type X attachment, where a specially prepared cord is needed to replace the cord: if the supply cord of this power tool is damaged, it must be replaced by a specially prepared cord available through the service organization.






<b>Troubleshooting</b>		
<b>Problem</b>	<b>Cause</b>	<b>Remedy</b>
<b>No coating material is coming out of the nozzle</b>	The nozzle is blocked.	Clean
	The ascending pipe is blocked.	Clean
	The small hole in the ascending pipe is blocked.	Clean
	Material adjustment screw turned too far to the left (-).	Turn to the right (+)
	The ascending pipe is loose.	Tighten the pipe
	No pressure is built up in the container.	Tighten container
<b>The coating material drips from the nozzle</b>	The nozzle is loose.	Tighten
	The nozzle is worn.	Change
	Build up of coating material in the air cap and nozzle.	Clean
<b>Spray too coarse</b>	Coating material has a too high viscosity	Dilute
	Too much material.	Turn material adjustment screw to the left (-)
	Material adjustment screw turned too far to the right(+).	Turn to the left (-)
	Nozzle dirty.	Clean
	Air filter very dirty.	Change
	Not enough pressure built up in container.	Tighten container
<b>The spray jet pulses</b>	Coating material in container is running out.	Refill
	The small hole in the ascending pipe is blocked	Clean
	Air filter very dirty.	Change
<b>Run in the coating material</b>	Too much coating material applied	Turn the material adjustment screw to the left (-)
<b>Too much coating material mist (overspray)</b>	The distance to the object to be sprayed is too large.	Reduce spraying distance
	Too much coating material applied	Turn material adjustment screw to the left (-)



## WARRANTY

1. Dexter Power are products are designed to highest DIY quality standards, Dexter Power provides a 24-months warranty for its products, from the date of purchase. This warranty applies to all material and manufacturing defects which may arise. No further claims are possible, of whatever nature, direct or indirect, relating to people and /or materials. Dexter Power products are not directed to professional use.
2. In the event of a problem or defect, you should first always consult your Dexter Power dealer. In most cases, the Dexter Power dealer will be able to solve the problem or correct the defect.
3. Repairs or the replacement of parts will not extend the original warranty period.
4. Defects which have arisen as a result of importer use or wear are not covered by the warranty. Amongst other things, this relates to switches, protective circuit switches and motors, in the event of wear.
5. You claim upon the warranty can only be processed if:
  - . Proof of the purchase date can be provided in the form of a receipt.
  - . No repairs and/or replacements have been carried out by third parties.
  - . The tool has not been subjected to importer use(overloading of machine or fitting non-approved accessories).
  - . There is no damage caused by external influences or foreign bodies such as sand or stones.
  - . There is no damage caused by non-observance of the safety instructions and the instructions for use.
  - . There is no force majeure on our part.
  - . A description of the complaint is enclosed.
6. The warranty stipulations apply in combination with our terms of sale and delivery.
7. Fault tools to be returned to Dexter Power via Dexter Power dealer will be collected by Dexter Power as long as the product is properly packaged. If faulty goods are sent directly to Dexter Power by consumer, Dexter Power will only be able to process these goods if the consumer pays the shipping costs.
8. Products which are delivered in a poorly packaged condition will not be accepted by Dexter Power.

### Spiegazione dei simboli

	<p>AVVERTENZA! Per ridurre il rischio di infortuni, leggere il manuale di istruzioni</p>
	<p>Questo prodotto è conforme a tutte le direttive europee applicabili e ai metodi di valutazione della conformità.</p>
	<p>Classe II</p>
	<p>Non smaltire le apparecchiature elettriche insieme ai rifiuti domestici.</p>
	<p>Questo prodotto può essere riciclato. Se deve essere smaltito, portarlo presso un centro di riciclaggio.</p>



**AVVERTENZA!** Leggere tutte le avvertenze di sicurezza e le istruzioni.

## AVVERTENZE DI SICUREZZA COMUNI A TUTTI GLI UTENSILI ELETTRICI



**AVVERTENZA!** Leggere tutte le avvertenze di sicurezza e le istruzioni. *Il mancato rispetto delle avvertenze e delle istruzioni comporta il rischio di scossa elettrica, incendio e/o lesioni gravi.*

**Conservare tutte le avvertenze e le istruzioni per futuro riferimento.**

*Il termine "utensile elettrico" utilizzato nelle avvertenze indica un utensile elettrico alimentato tramite rete elettrica (con cavo) o batterie (senza cavo).*

### 1) Sicurezza dell'area di lavoro

- a) **Mantenere l'area di lavoro pulita e bene illuminata.** *Il disordine e la scarsa illuminazione favoriscono gli incidenti.*
- b) **Non usare gli utensili elettrici in atmosfere esplosive, ad esempio in presenza di liquidi, gas o polveri infiammabili.** *Gli utensili elettrici creano scintille che possono incendiare polveri o fumi.*
- c) **Durante l'uso dell'utensile elettrico, tenere a distanza i bambini e le persone presenti.** *Le distrazioni possono far perdere il controllo dell'apparecchio.*

### 2) Sicurezza elettrica

- a) **Le spine degli utensili elettrici devono essere adatte al tipo di presa. Non modificare la spina in alcun modo. Non usare adattatori con gli utensili elettrici dotati di messa a terra (collegati a massa).** *L'uso di spine originali corrispondenti al tipo di presa riduce il rischio di scossa elettrica.*
- b) **Evitare il contatto del corpo con superfici collegate a terra come tubi, radiatori, fornelli elettrici e frigoriferi.** *Il rischio di scossa elettrica aumenta se il proprio corpo è collegato a terra.*

- c) **Non esporre gli utensili elettrici a pioggia o umidità.** *L'infiltrazione di acqua all'interno di un utensile elettrico aumenta il rischio di scossa elettrica.*
- d) **Non utilizzare il cavo in modo improprio. Non usare il cavo per trasportare, tirare o scollegare l'utensile elettrico dalla presa di corrente. Tenere il cavo al riparo da calore, olio, bordi taglienti o parti in movimento.** *La presenza di cavi danneggiati o aggrovigliati aumenta il rischio di scossa elettrica.*
- e) **Durante l'uso di un utensile elettrico all'aperto, utilizzare una prolunga idonea per ambienti esterni.** *L'uso di un cavo idoneo riduce il rischio di scossa elettrica.*
- f) **Se è necessario lavorare in un luogo umido, utilizzare un circuito elettrico dotato di interruttore differenziale (RCD).** *L'uso di un interruttore differenziale riduce il rischio di scossa elettrica.*

### 3) Sicurezza personale

- a) **Durante l'uso di un utensile elettrico, prestare sempre la massima attenzione e utilizzare il buon senso. Non usare un utensile elettrico se si è stanchi o sotto l'effetto di droghe, alcol o farmaci.** *Anche un solo momento di disattenzione durante l'uso dell'utensile elettrico può provocare gravi infortuni.*
- b) **Indossare dispositivi di protezione individuale. Indossare dispositivi di protezione per gli occhi.** *I dispositivi di protezione individuale come maschere antipolvere, calzature antiscivolo, caschi e cuffie per le orecchie, se utilizzati quando le circostanze lo richiedono, riducono il rischio di infortuni.*
- c) **Prevenire l'avvio accidentale. Assicurarsi che l'interruttore sia in posizione di arresto prima di sollevare, trasportare o collegare l'utensile elettrico alla presa di corrente e/o alla batteria.** *Per ridurre il rischio di incidenti, non trasportare gli utensili elettrici tenendo le dita sull'interruttore e non collegarli alla presa di corrente se l'interruttore è in posizione di avvio.*
- d) **Rimuovere eventuali chiavi di regolazione o avvitarmento prima di avviare l'utensile elettrico.** *Una chiave rimasta inserita in un elemento mobile dell'utensile elettrico può provocare infortuni.*
- e) **Non allungarsi eccessivamente. Mantenere sempre un buon equilibrio evitando posizioni instabili.** *Ciò assicura un miglior controllo dell'utensile elettrico in situazioni impreviste.*

**f) Vestirsi in modo adeguato. Non indossare indumenti ampi o gioielli. Tenere capelli, indumenti e guanti lontani dalle parti in movimento.** *Indumenti ampi, gioielli e capelli lunghi possono impigliarsi nelle parti in movimento.*

**g) Se sono disponibili dei dispositivi per l'estrazione e la raccolta della polvere, assicurarsi che siano collegati e utilizzati correttamente.** *L'uso di tali dispositivi può ridurre i rischi derivanti dalla polvere.*

#### **4) Uso e manutenzione dell'utensile elettrico**

**a) Non forzare l'utensile elettrico. Utilizzare l'utensile più adatto al lavoro da svolgere.** *Un utensile elettrico corretto è più sicuro ed efficace al regime per cui è stato progettato.*

**b) Non utilizzare l'utensile elettrico se l'interruttore non funziona.** *Un utensile elettrico che non può essere controllato dall'interruttore è pericoloso e deve essere riparato.*

**c) Scollegare l'utensile elettrico dalla presa di corrente e/o dal gruppo batteria prima di regolarlo, riporlo o sostituire gli accessori.** *Tali misure preventive riducono il rischio di avvio accidentale dell'utensile elettrico.*

**d) Riporre gli utensili elettrici fuori dalla portata dei bambini e non permetterne l'uso a persone che non hanno familiarità con l'apparecchio o con queste istruzioni.** *Gli utensili elettrici sono pericolosi se utilizzati da persone non competenti.*

**e) Mantenere gli utensili elettrici in buono stato. Verificare che le parti mobili non siano disallineate o inceppate, che i componenti non siano danneggiati e che non siano presenti altri problemi che potrebbero pregiudicare il corretto funzionamento dell'utensile elettrico. Se l'utensile elettrico è danneggiato, farlo riparare prima di utilizzarlo nuovamente.** *Molti incidenti sono provocati da utensili elettrici in cattive condizioni.*

**f) Mantenere gli accessori di taglio puliti e affilati.** *Un'adeguata manutenzione e affilatura degli accessori da taglio riduce il rischio di inceppamento e facilita il controllo dell'utensile elettrico.*

**g) Usare l'utensile elettrico, gli accessori, le punte ecc. conformemente a queste istruzioni, tenendo conto delle condizioni dell'area di lavoro e del tipo di lavoro da svolgere.** *L'uso dell'utensile elettrico per operazioni diverse da quelle per cui è*

*progettato può comportare situazioni di pericolo.*

## **5) Riparazioni**

- a) **Affidare la riparazione dell'utensile a personale qualificato e utilizzare esclusivamente parti di ricambio identiche. Ciò garantisce la sicurezza dell'utensile elettrico.**
- 6) Avvertenze di sicurezza specifiche per pistole a spruzzo**
  - a) **Non usare la pistola a spruzzo per vaporizzare materiali infiammabili.**
  - b) **Prestare attenzione a eventuali pericoli presentati dal materiale vaporizzato e consultare le indicazioni sul contenitore o le informazioni fornite dal produttore.**
  - c) **Non spruzzare mai un prodotto se non se ne conoscono i potenziali rischi.**
  - d) **Indossare sempre una maschera antipolvere durante la vaporizzazione.**
  - e) **Si raccomanda l'uso di protezioni per le orecchie quando l'apparecchio è in funzione.**
  - f) **Non pulire la pistola a spruzzo con solventi infiammabili.**
  - g) **Avvertenza! Scollegare la spina dalla presa di corrente prima di effettuare qualsiasi operazione di regolazione, manutenzione o riparazione.**
  - h) **Per motivi di sicurezza, se il cavo di alimentazione è danneggiato deve essere sostituito dal costruttore o da un suo agente incaricato.**
  - i) **Le spazzole di carbone devono essere sostituite da un tecnico specializzato (sostituire sempre entrambe le spazzole contemporaneamente).**



## **Avvertenze di sicurezza per PLD3112B**

- 1) Leggere attentamente le istruzioni e rispettare le norme di sicurezza.
- 2) È possibile vaporizzare esclusivamente materiali di rivestimento come vernici, smalti, lacche, ecc. con un punto di infiammabilità di 21°C (32°C nel Regno Unito) o superiore, senza riscaldamento aggiuntivo. In Germania, tali materiali di rivestimento appartengono alle classi di pericolosità AII e AHI; consultare il contenitore della vernice.

3) L'apparecchio non deve essere usato in aree di lavoro coperte dalle norme di protezione dalle esplosioni.

4) Durante la vaporizzazione, assicurarsi che nell'area non siano presenti fonti di innesco come fiamme libere, sigarette, sigari e pipe, scintille, cavi sotto tensione, superfici calde, ecc.

**5) Raccomandazioni:**

**Si raccomanda di indossare protezioni respiratorie durante la vaporizzazione.**

**6) Attenzione, rischio di infortuni! Non dirigere la pistola a spruzzo verso se stessi, altre persone o animali.**



7) Durante l'uso dell'apparecchio PLD3112B in ambienti interni o esterni, assicurarsi che i vapori di solvente non vengano aspirati nell'apparecchio.

8) Durante l'uso in esterni, prestare attenzione alla direzione del vento. Durante l'uso in interni, garantire una sufficiente ventilazione.

9) Non vaporizzare verso l'apparecchio.

10) L'apparecchio è protetto contro gli spruzzi solo quando il tubo dell'aria è collegato correttamente.

11) Non lasciare che i bambini giochino con l'apparecchio. Tenere fuori dalla portata dei bambini.

12) Assicurarsi che il cavo di alimentazione non subisca danni. Se il cavo è danneggiato, portarlo immediatamente presso un centro di assistenza autorizzato affinché venga sostituito.

13) Scollegare il cavo di alimentazione dalla presa di corrente quando l'apparecchio non è in uso.

14) Le riparazioni delle parti elettriche devono essere effettuate esclusivamente presso un centro di assistenza autorizzato.

15) Non usare la pistola a spruzzo per vaporizzare liquidi infiammabili.

16) Non pulire la pistola a spruzzo con solventi infiammabili.

17) Adottare adeguate misure di precauzione contro i rischi potenziali dei liquidi spray

e rispettare le istruzioni riportate sui contenitori o fornite dal produttore del liquido.

- 18) Non vaporizzare un liquido se non si conoscono i potenziali rischi.
- 19) L'area di lavoro deve essere pulita e bene illuminata.
- 20) Non utilizzare gli utensili elettrici in ambienti con atmosfera esplosiva, ad esempio in presenza di liquidi, gas o polveri infiammabili.
- 21) Durante l'uso dell'utensile elettrico, tenere a distanza i bambini e le persone presenti.
- 22) Le spine degli utensili elettrici devono essere adatte al tipo di presa. Non modificare la spina in alcun modo. Non usare adattatori con gli utensili elettrici dotati di messa a terra (collegati a massa).
- 23) Evitare il contatto del corpo con superfici collegate a terra come tubi, radiatori, fornelli elettrici e frigoriferi.
- 24) Non esporre gli utensili elettrici a pioggia o umidità.
- 25) Non utilizzare il cavo in modo improprio. Non usare il cavo per trasportare, tirare o scollegare l'utensile elettrico dalla presa di corrente. Tenere il cavo al riparo da calore, olio, bordi taglienti o parti in movimento.
- 26) Durante l'uso di un utensile elettrico all'aperto, utilizzare una prolunga idonea per ambienti esterni.
- 27) Durante l'uso di un utensile elettrico, prestare sempre la massima attenzione e utilizzare il buon senso. Non usare un utensile elettrico se si è stanchi o sotto l'effetto di droghe, alcol o farmaci.
- 28) Utilizzare dispositivi di protezione personale. Indossare dispositivi di protezione per gli occhi.
- 29) Prevenire l'avvio accidentale. Assicurarsi che l'interruttore sia in posizione di spegnimento prima di collegare l'utensile alla presa di corrente.
- 30) Rimuovere eventuali chiavi di regolazione o avvvitamento prima di avviare l'utensile elettrico.
- 31) Non sbilanciarsi o sporgersi. Mantenere sempre un buon equilibrio evitando posizioni instabili.
- 32) Vestirsi in modo adeguato. Non indossare indumenti ampi o gioielli. Tenere capelli,

indumenti e guanti lontani dalle parti in movimento.

**33)** Se sono disponibili dei dispositivi per l'estrazione e la raccolta della polvere, assicurarsi che siano collegati e utilizzati correttamente.

**34)** Non forzare l'utensile elettrico. Utilizzare l'utensile più adatto al lavoro da svolgere.

**35)** Non utilizzare l'utensile elettrico se l'interruttore non funziona.

**36)** Scollegare l'utensile elettrico dalla presa di corrente prima di regolarlo, riporlo o sostituire gli accessori.

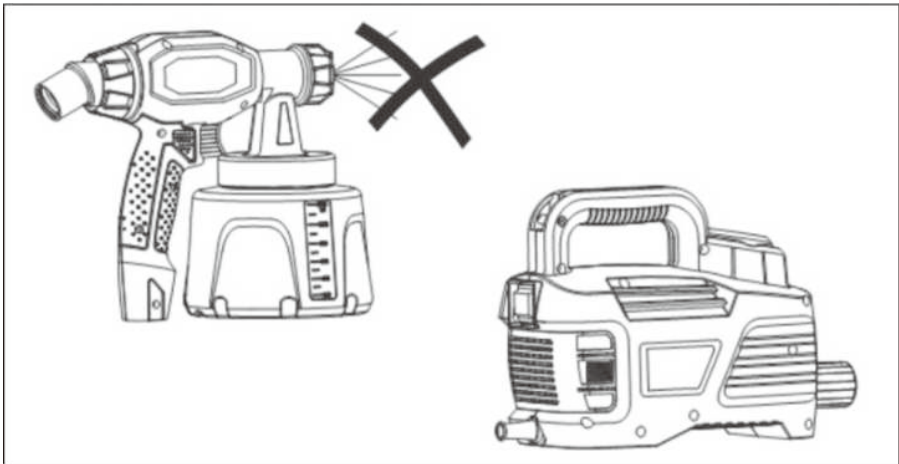
**37)** Riporre gli utensili elettrici fuori dalla portata dei bambini e non permetterne l'uso a persone che non hanno familiarità con l'apparecchio o con queste istruzioni.

**38)** Mantenere gli utensili elettrici in buono stato. Verificare che le parti mobili non siano disallineate o piegate, che i componenti non siano danneggiati e che non siano presenti altri problemi che potrebbero pregiudicare il corretto funzionamento dell'utensile elettrico. Se l'utensile elettrico è danneggiato, farlo riparare prima di utilizzarlo nuovamente.

**39)** Usare l'utensile elettrico, gli accessori, le punte ecc. conformemente a queste istruzioni e nel modo previsto per questo particolare tipo di utensili elettrici, tenendo conto delle condizioni dell'area di lavoro e del tipo di lavoro da svolgere.

**40)** Affidare la riparazione dell'utensile a personale qualificato e utilizzare esclusivamente parti di ricambio identiche.

**41) Durante una corretta vaporizzazione, il motore non deve trovarsi sotto la testa della pistola e il serbatoio.**



42) È vietato vaporizzare verso il vano motore ecc.

## Specifiche tecniche PLD3112B

Viscosità max.:

60DIN-S

Tensione:

220-240V a.c. 50 Hz

<b>Potenza assorbita:</b>	<b>600W</b>
<b>Classe di protezione IP:</b>	<b>IP 23</b>
<b>Contropressione max. dell'aria:</b>	<b>0,1-0,3bar</b>

**Doppio isolamento:**

<b>Lunghezza cavo di rete:</b>	<b>1,8m</b>
<b>Livello di pressione sonora:</b>	<b>80,9 dB(A)( incertezza K=3dB(A) )</b>
<b>Livello di potenza sonora:</b>	<b>91,9 dB(A)( incertezza K=3dB(A) )</b>
<b>Livello di oscillazione:</b>	<b>&lt;0,25m/s<sup>2</sup>( incertezza K=1,5m/s<sup>2</sup> )</b>
<b>Lunghezza tubo dell'aria:</b>	<b>1,8m</b>
<b>Capacità contenitore:</b>	<b>900ml</b>
<b>Dimensioni ugello:</b>	<b>Ø2,5mm</b>
<b>Peso:</b>	<b>2,5kg</b>

## Descrizione del sistema

Questo apparecchio funziona grazie a un sistema di vaporizzazione a bassa pressione. Un'alta quantità di aria circonda il getto spray espulso a bassa pressione. L'erogatore d'aria fornisce un'atomizzazione molto fine con il minimo di nebbia spray. Il materiale di rivestimento viene applicato all'oggetto in modo rapido e preciso.

Inoltre, il flusso d'aria riduce il tempo di asciugatura del materiale di rivestimento. Ciò garantisce un perfetto risultato di vaporizzazione con un risparmio di materiale di rivestimento, contribuendo alla salvaguardia dell'ambiente.

## Descrizione funzionamento

La ventola del motore produce un flusso d'aria che percorre il tubo dell'aria fino alla pistola a spruzzo. Il flusso d'aria vaporizza il materiale di rivestimento a livello dell'ugello, e al contempo pressurizza il serbatoio. Tale pressione spinge il materiale di rivestimento nel tubo verticale fino all'ugello. L'aria e la pressione possono essere regolate progressivamente.

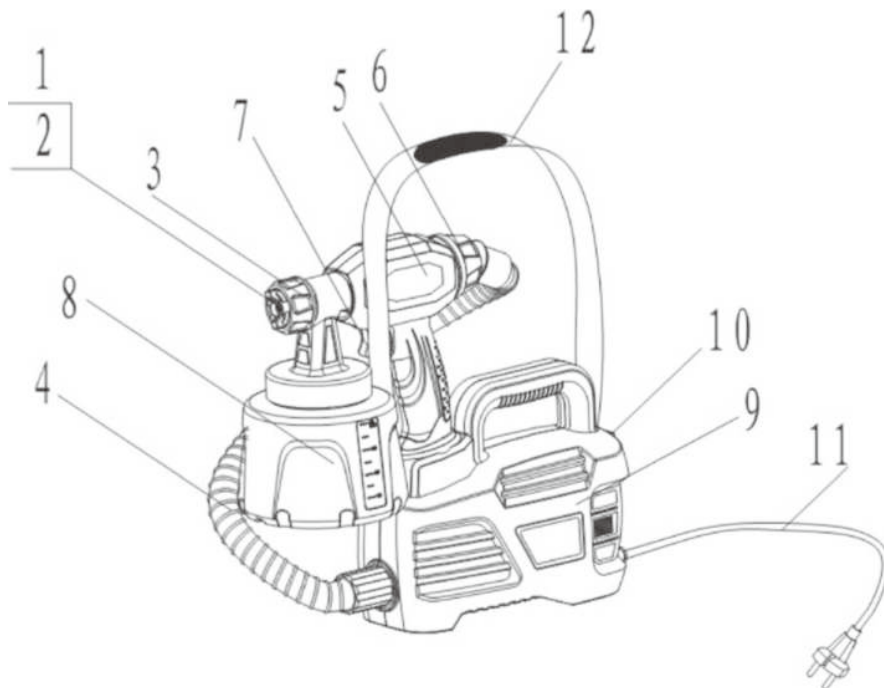
### Materiali di rivestimento adatti all'uso

Vernici a base solvente e acqua, finiture, primer, vernici a 2 componenti, finiture trasparenti, finiture per automobili, trattamenti antimacchia e protettivi per legno.

### Materiali di rivestimento non adatti all'uso

Materiali contenenti componenti altamente abrasivi, pittura per facciata, sigillante, soluzioni caustiche e sostanze di rivestimento acide.

Materiali di rivestimento con un punto di infiammabilità inferiore a 21°C.



### Diagramma illustrativo PLD3112B

1 Erogatore d'aria

2 Ugello

- |   |                                   |    |                               |
|---|-----------------------------------|----|-------------------------------|
| 3 | Dado di raccordo                  | 8  | Contenitore                   |
| 4 | Tubo dell'aria                    | 9  | Motore con ventola            |
| 5 | Pistola a spruzzo                 | 10 | Interruttore di avvio/arresto |
| 6 | Vite di regolazione del materiale | 11 | Cavo di alimentazione         |
| 7 | Interruttore a grilletto          | 12 | Tracolla                      |

## Preparazione del materiale di rivestimento

Generalmente, le informazioni relative alla diluizione vaporizzabile non sono riportate sulla confezione del materiale.

Pertanto, consultare la tabella di viscosità riportata in seguito (viscosità = densità del materiale di rivestimento).

## Misurazione della viscosità

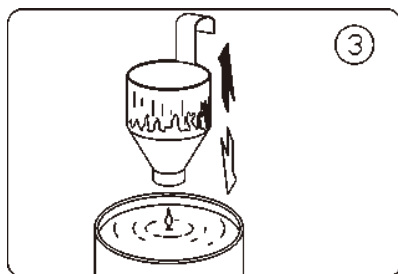
### utilizzo della viscosità

### Misurino

1. Mescolare accuratamente il materiale di rivestimento prima di iniziare la misurazione.
2. Immergere il misurino (capacità 100cm<sup>3</sup>) completamente nel materiale di rivestimento fino all'orlo, e attendere che si riempia.
3. Sollevare il misurino e misurare il tempo in secondi fino all'interruzione del flusso del materiale di rivestimento.

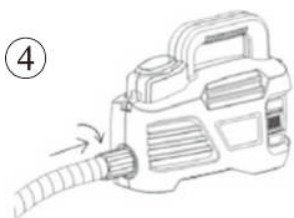
**Tale intervallo prende il nome di secondi DIN (DIN-s).**

### Tabella di viscosità - v. pagina seguente



**Tabella di viscosità**

<b>Materiale di rivestimento</b>	<b>Viscosità DIN-s</b>
Vernici lucide contenente solventi	15-50
Primer	25-50
Mordenti	non diluiti
Vernici bicomponente	20-50
Smalti trasparenti	15-40
Vernici lucide solubili in acqua	20-40
Smalti per veicoli a motore	20-40
Preservanti del legno	non diluiti



**Avvio**

È possibile selezionare qualsiasi posizione per il collegamento.

2. Svitare il serbatoio dalla pistola a spruzzo.
3. Regolare il tubo verticale.

1. Collegare il tubo dell'aria.

**Parte terminale dell'apparecchio**

(fig. 4)

Posizionare l'estremità del tubo dell'aria con il perno nella guida.

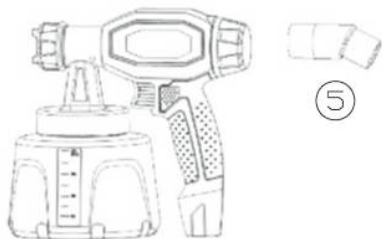
Fissarlo ruotandolo.

**Estremità della pistola a spruzzo**

(fig. 5)

Posizionare il tubo dell'aria saldamente nel raccordo sulla pistola a spruzzo.

Deve essere possibile vaporizzare il contenuto del serbatoio senza lasciare quasi nessun residuo nel serbatoio.



## Verniciare superfici orizzontali (fig. 7)

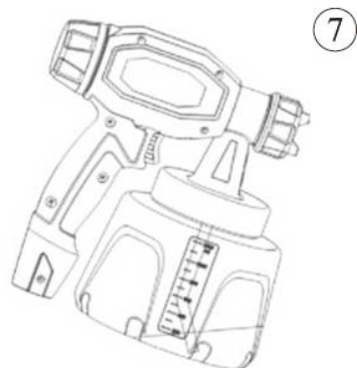
Ruotare il tubo verticale A in avanti.



## Verniciare superfici sopraelevate (fig. 6)

Ruotare il tubo verticale A all'indietro.

4. Riempire il serbatoio con il materiale di rivestimento. **Avvitarlo saldamente sulla pistola a spruzzo.**
5. Posizionare la pistola a spruzzo nel porta-pistola.
6. Posizionare l'apparecchio esclusivamente su superfici piane e pulite per evitare che raccolga polvere ecc.
7. Prima di collegare l'apparecchio all'alimentazione, verificare che la tensione della rete elettrica corrisponda ai valori riportati sulla targhetta dell'apparecchio.
8. Rimuovere la pistola a spruzzo dal porta-pistola e puntarla verso la superficie da verniciare. Accendere l'apparecchio

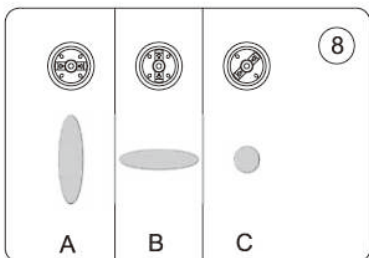
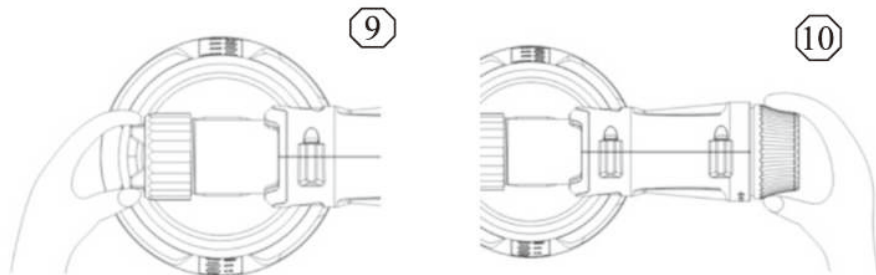


9. Interruttore di accensione/spengimento sul dispositivo.

10. Regolare la quantità di materiale e il movimento di vaporizzazione; impostare la quantità di aria e di pressione come illustrato nelle figg. 8, 9, 10 e descritto a pagina 14.
11. Premere l'interruttore a grilletto sulla pistola a spruzzo.

**Nota:**

Quando l'apparecchio è acceso, l'aria scorrerà in modo continuo dall'erogatore d'aria.



**Regolare la pistola a spruzzo**

**Selezionare l'effetto di vaporizzazione**

**A = getto piatto verticale** per superfici orizzontali.

**B = getto orizzontale** per superfici verticali.

**C = getto rotondo** per angoli, bordi e altri punti difficili da raggiungere

**Regolare l'effetto di vaporizzazione**

Allentare il dado di raccordo (3) e ruotare l'erogatore d'aria (1) secondo l'effetto di vaporizzazione desiderato.

**Attenzione!**

Non premere l'interruttore a grilletto durante la regolazione dell'erogatore d'aria.

**Regolare la quantità di materiale**

Regolare la quantità di materiale ruotando la vite di regolazione.

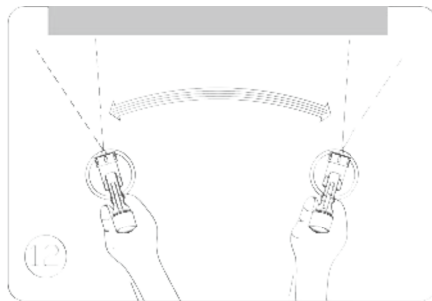
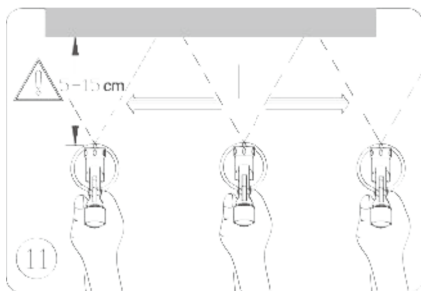
+rotazione a destra → più materiale

-rotazione a sinistra → meno materiale

## Tecnica di vaporizzazione

Il risultato di vaporizzazione dipende in modo significativo da quanto è liscia e pulita la superficie prima di iniziare il lavoro. Di conseguenza, la superficie deve essere attentamente preparata e pulita. Coprire le superfici che non devono essere verniciate con nastro adesivo e carta di giornale. Coprire eventuali fili e similari presenti sulla superficie da verniciare.

Si raccomanda di effettuare una vaporizzazione di prova su cartone o superfici similari per regolare la pistola a spruzzo nel modo più adatto.



**Importante!** Iniziare a vaporizzare fuori dalla superficie da dipingere ed evitare di interrompere la vaporizzazione sulla superficie.

**Giusto (fig. 11)**

**Tenere sempre la pistola a spruzzo a una distanza costante di circa 5-15 cm dalla superficie da dipingere.** Spostare la pistola a spruzzo in modo uniforme orizzontalmente o verticalmente, a seconda dell'effetto di vaporizzazione impostato. Un movimento uniforme della pistola a spruzzo consente di ottenere una qualità omogenea della superficie. **Errato (fig. 12)**

**Formazione eccessiva di vernice vaporizzata → risultato di vaporizzazione disomogeneo**

Se il materiale si accumula sull'ugello (2) e sull'erogatore d'aria (1), pulirli entrambi con acqua o solvente.

### Interruzione del lavoro

- Spegnerne l'apparecchio.
- Posizionare la pistola a spruzzo nel porta-pistola.

### **Fine del lavoro e pulizia**

1. Spegnerne l'apparecchio. Premere l'interruttore a grilletto affinché il materiale nella pistola rifluisca nel serbatoio.
2. Svitare il serbatoio. Versare il materiale di rivestimento residuo nella confezione originale.
3. Pulire il serbatoio e il tubo verticale con una spazzola.
4. Riempire il serbatoio con acqua o solvente.  
Riavvitare il serbatoio in posizione.

### **Usare esclusivamente solventi con un punto di infiammabilità superiore a 21°C**

Accendere l'apparecchio e vaporizzare il solvente o l'acqua in un contenitore. Se non si utilizza un tubo, parte di solvente o acqua si depositerà fuori dal contenitore a causa dell'alto volume di aria.

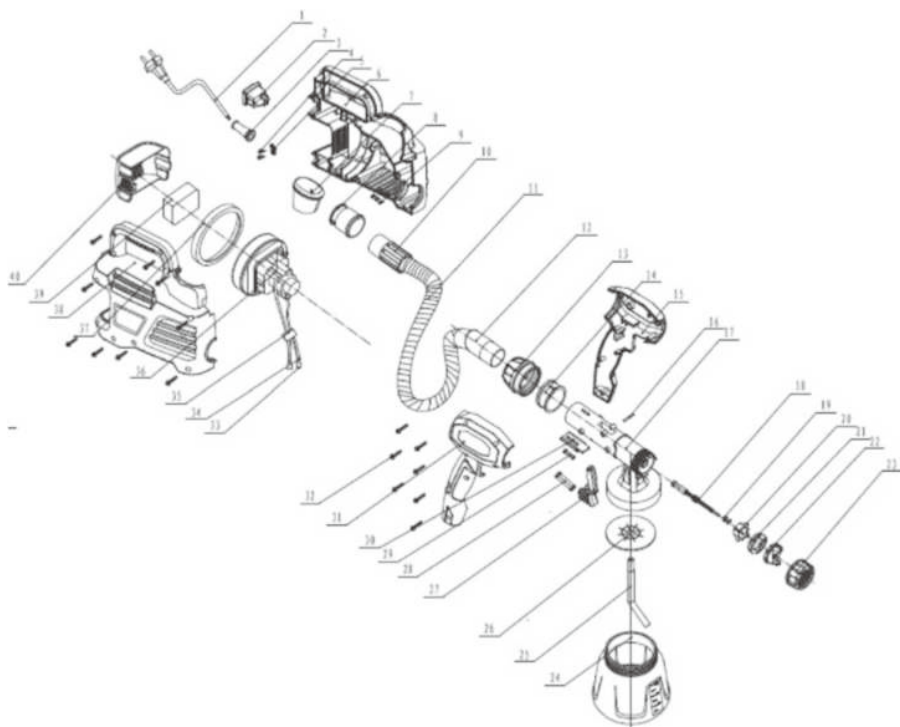
5. Ripetere la procedura finché dall'ugello non esce acqua o solvente pulito.
6. Spegnerne l'apparecchio.
7. Successivamente svuotare completamente il serbatoio. Tenere pulita la guarnizione del serbatoio e verificare che non sia danneggiata.
8. Pulire l'esterno della pistola a spruzzo con un panno imbevuto di solvente o acqua.
9. Svitare il dado di raccordo. Rimuovere l'erogatore dell'aria. Pulire l'erogatore dell'aria e l'ugello con una spazzola e con solvente o acqua.

#### **Nota:**

Non pulire l'ugello o i fori dell'aria della pistola a spruzzo con oggetti in metallo affilati.

Apparecchi con raccordo di tipo X, che necessitano di un apposito cavo per la sostituzione: se il cavo di alimentazione dell'apparecchio è danneggiato, deve essere sostituito con un cavo specifico disponibile tramite il servizio di assistenza.

<b>Risoluzione dei problemi</b>		
<b>Problema</b>	<b>Causa</b>	<b>Soluzione</b>
<b>Il materiale di rivestimento non fuoriesce dall'ugello</b>	L'ugello è ostruito.	Pulizia
	Il tubo verticale è ostruito.	Pulizia
	Il piccolo foro nel tubo verticale è ostruito. La vite di regolazione del materiale è ruotata completamente verso sinistra (-).	Pulizia Ruotare verso destra (+)
	Il tubo verticale è allentato. Non si forma pressione nel serbatoio.	Serrare il tubo Serrare il serbatoio
<b>Il materiale di rivestimento sgocciola dall'ugello</b>	L'ugello è allentato.	Serrare
	L'ugello è usurato.	Sostituire
	Accumulo di materiale di rivestimento nell'erogatore d'aria e nell'ugello.	Pulizia
<b>Vaporizzazione troppo densa</b>	Il materiale di rivestimento ha un grado di viscosità troppo elevato.	Diluire
	Troppo materiale.	Ruotare la vite di regolazione del materiale verso sinistra (-)
	La vite di regolazione del materiale è ruotata eccessivamente verso destra (+).	Ruotare verso sinistra (-) Pulizia
	L'ugello è sporco.	Sostituire
	Il filtro dell'aria è molto sporco.	Serrare il serbatoio
<b>Il getto fuoriesce a impulsi</b>	Il materiale di rivestimento nel serbatoio è quasi esaurito. Il piccolo foro nel tubo verticale è ostruito.	Riempire Pulire
	Filtro aria molto sporco.	Sostituire
<b>Il materiale di rivestimento cola</b>	Troppo materiale applicato.	Ruotare la vite di regolazione del materiale verso sinistra (-)
<b>Troppo materiale applicato (vaporizzazione eccessiva)</b>	La distanza dalla superficie da verniciare è troppo ampia.	Ridurre la distanza
	Troppo materiale applicato.	Ruotare la vite di regolazione del materiale verso sinistra (-)



## GARANZIA

1. I prodotti Dexter Power sono progettati con i più alti standard per il Fai da Te. Dexter Power offre una garanzia di 24 mesi dalla data di acquisto dei suoi prodotti. La garanzia si applica a tutti gli eventuali difetti di materiali e fabbricazione. Non sono possibili ulteriori reclami, di alcuna natura, diretti o indiretti, relativi a persone e/o materiali. I prodotti Dexter Power non sono destinati all'uso professionale.
2. In caso di problemi o difetti, consultare prima il rivenditore Dexter Power. Nella maggior parte dei casi il rivenditore Dexter Power sarà in grado di risolvere il problema o correggere il difetto.
3. Le riparazioni o la sostituzione di componenti non estendono il periodo di garanzia originale.
4. I difetti derivanti da uso improprio o usura non sono coperti dalla garanzia. La presente clausola si riferisce anche agli interruttori di alimentazione, agli interruttori e ai motori del circuito di protezione, in caso di usura.
5. La richiesta di garanzia è valida solo se:
  - . Viene fornita la prova della data di acquisto sotto forma di ricevuta.
  - . Non sono state effettuate riparazioni/sostituzioni da parte di terzi.
  - . il prodotto non è stato usato in modo improprio (sovraccarico dell'apparecchio o inserimento di accessori non approvati).
  - . Non vengono rilevati danni causati da agenti o corpi esterni come sabbia o sassi.
  - . Non risultano danni provocati dal mancato rispetto delle istruzioni di sicurezza e delle istruzioni d'uso.
  - . Non sussistono cause di forza maggiore da parte del costruttore.
  - . La descrizione del reclamo è allegata.
6. Le clausole della garanzia sono parte integrante delle nostre condizioni di vendita e consegna.
7. Gli utensili difettosi possono essere restituiti a Dexter Power tramite un suo rivenditore purché correttamente imballati. Le spese di spedizione dei prodotti difettosi inviati a Dexter Power direttamente dal consumatore sono a carico di quest'ultimo.
8. I prodotti consegnati con confezione non adeguata non saranno accettati da DEXTER POWER.



**EU/EC Declaration of conformity  
Déclaration UE/CE de conformité  
DECLARACIÓN CE / UE DE CONFORMIDAD  
Declaração CE/UE de conformidade**

EN[FR]  
ES[PT]

Product Model[Modèle du produit][Modelo de producto][Modelo do produto]

**943185**

Name and address of the manufacturer or his authorised representative[Nom et adresse du fabricant ou de son mandataire][Nombre y dirección del fabricante o de su representante autorizado][Nome e endereço do fabricante ou do seu representante autorizado]

**ADEO Services, 135 Rue Sadi Carnot - CS 00001 59790 RONCHIN - France**

This declaration of conformity is issued under the sole responsibility of the manufacturer[La présente déclaration de conformité est établie sous la seule responsabilité du fabricant][La presente declaración de conformidad se expide bajo la exclusiva responsabilidad del fabricante][Esta declaração de conformidade é emitida sob a exclusiva responsabilidade do fabricante.]

**Object of the declaration[Objet de la déclaration][Objeto de la declaración][Objeto da declaração]**

Product Type - Description[Type de produit - Description][Tipo de producto] **600W HVLP FLOOR BASED ELECTRIC SPRAY GUN**

Product Reference[Référence produit][Referencia del producto][Referência do produto] **943185 - EAN Code: 3276005267756**  
**Industrial Type Design Reference: PLD3112B**

Product Brand[Marque Produit][Producto de marca][Marca do produto] **DEXTER**

Serial number coding or batch number[Codification du numéro de série ou de lot][Codificación del número de serie][Codificação do número de série] **SN SSSSSS XX DDMMYY nn PPPPP (SN: Serial No., SSSSSS : Supplier code, XX : Factory ID, DDMMYY: Production date, nn: number of version of product, PPPPPP : Incremental number)**

The object of the declaration described above is in conformity with the relevant Union harmonization legislation[Le objet de la déclaration décrit ci-dessus est conforme à la législation d'harmonisation de l'Union applicable][El objeto de la declaración descrita anteriormente es conforme a la legislación de armonización pertinente de la Unión][O objeto da declaração acima descrita está em conformidade com a legislação de harmonização da União aplicável.]

References to the relevant harmonised standards used or references to the specifications in relation to which conformity is declared[Références des normes harmonisées pertinentes appliquées ou des spécifications par rapport auxquelles la conformité est déclarée][Referencias a las normas armonizadas pertinentes utilizadas, o referencias a las especificaciones respecto a las cuales se declara la conformidad][Referências às normas harmonizadas pertinentes utilizadas ou referências às especificações para as quais a conformidade é declarada]

When applicable, the name and number of notified body number[Le cas échéant, le nom et le numéro de l'organisme notifié][Cuando corresponda \* el nombre y número de laboratorio notificado que haya emitido la certificación y la referencia al documento][Quando aplicável \* o nome e número do laboratório notificado que emitiu a certificação e a referência ao documento]

2006\_42\_EC\_MACHINE  
machinery[Machines][máquinas [máquinas]

EN 60745-1:2009+A11:2010  
EN 50580:2012+A1:2013

2014\_30\_EU EMC  
Electromagnetic compatibility[compatibilité électromagnétique][compatibilidad electromagnética [compatibilidade eletromagnética ]

EN 55014-1:2017/A11:2020  
EN 55014-2:2015  
EN IEC 55014-1:2021  
EN IEC 55014-2:2021  
EN IEC 61000 -3-2:2019/A1:2021  
EN 61000-3-3:2013/A1:2019

2011\_65\_EU RoHS  
Restriction of hazardous substances in electrical products[Restriction des substances dangereuses dans les produits électriques][Restricción de substancias peligrosas en equipos eléctricos][Restrição de substâncias perigosas em equipamentos elétricos]

ROHS Directive(EU)2015/863 amending Directive 2011/65/EU  
IEC 62321-3-1:2013  
IEC 62321-4:2013  
IEC 62321-5:2013  
IEC 62321-6:2015  
IEC 62321-7-1:2015  
IEC 62321-7-2:2017  
IEC 62321-8:2017  
EN IEC 63000:2018

Compiled, signed by and on behalf of[Compilé, signé par et au nom de][Compilado, firmado por y en nombre de][Compilado, assinado por e em nome de]

XiaoBing GUO  
Asia Quality Platform Leader

within delegation of signature from  
Gislain MENARD  
ADEO Global Quality Leader

Place and date of issue[Date et lieu d'établissement][Lugar y fecha de expedición][Local e data de emissão]

Shanghai China

2022/4/29





**DICHIARAZIONE DI CONFORMITÀ CE / UE  
DEKLARACJA ZGODNOŚCI WE / UE  
ΔΗΛΩΣΗ ΣΥΜΜΟΡΦΩΣΗΣ ΕΚ / ΕΕ  
DECLARAȚIA CE / UE DE CONFORMITATE**

Modello di prodotto/prodotto[Model produktu/produkt][Μοντέλο προϊόντος/Ποιόν:] [Modelul de produs/produșul:]

**943185**

La presente dichiarazione di conformità è rilasciata sotto la responsabilità esclusiva del fabbricante [Niniejsza deklaracja zgodności wydana zostaje na wyłączną odpowiedzialność producenta.] [Επιμυηται και διέκθνηση του κατασκευαστή ή του εξουσιοδοτημένου αντιπροσώπου του] [Denunirea și adresa producătorului sau a reprezentantului său autorizat.]

**ADEO Services, 135 Rue Sadi Carnot - CS 00001 59790 RONCHIN - France**

La presente dichiarazione di conformità è rilasciata sotto la responsabilità esclusiva del fabbricante [Niniejsza deklaracja zgodności wydana zostaje na wyłączną odpowiedzialność producenta.] Η παρούσα δήλωση συμμόρφωσης εκδίδεται με αποκλειστική ευθύνη του κατασκευαστή [Declarația de conformitate este emisă pe răspunderea exclusivă a producătorului]

**Objeto de la declaración|Przedmiot deklaracji|Στόχος της δήλωσης|Obiectul declarației**

Tipologia di prodotto[Rodzaj produktu|Τύπος Προϊόντος|Tip produs]

**600W HVLV FLOOR BASED ELECTRIC SPRAY GUN**

Riferimento del prodotto[Referențe produsului|Αναφορά προϊόντος|Referință produs]

**943185 - EAN Code: 3276005267756  
Industrial Type Design Reference: PLD3112B**

Marca del prodotto[Marka produktu|Μάρκα προϊόντος|Marcă a produsului]

**DEXTER**

Codifica del numero di serie[Kodowanie numeru seryjnego|Κωδικοποίηση σειριακού αριθμού|Cod de numere de serie]

**SN SSSSSS XX DDMMYY nn PPPPPP (SN: Serial No., SSSSSS : Supplier code, XX : Factory ID, DDMMYY: Production date, nn: number of version of product, PPPPPP : Incremental number)**

L'oggetto della dichiarazione di cui sopra è conforme alla pertinente normativa di armonizzazione dell'Unione [Wymieniony powyżej przedmiot niniejszej deklaracji jest zgodny z odnośnymi wymaganiami unijnego prawodawstwa harmonizacyjnego] Ο στόχος της δήλωσης που περιγράφεται παραπάνω είναι συμμόρφος με τη σχετική ενωσιακή νομοθεσία ενεργού νότου [Obiectul declarației descris mai sus este în conformitate cu legislația comunitară relevantă de armonizare a Uniunii]

Riferimenti alle pertinenti norme armonizzate utilizzate o alle specifiche in relazione alle quali è dichiarata la conformità [Odwolania do odnośnych norm zharmonizowanych, które zastosowano, lub do specyfikacji, w odniesieniu do których deklarowana jest zgodność] [Μερίδα των σχετικών εναρμονισμένων προτύπων που χρησιμοποιούνται ή μερίδα των προδιαγραφών σε σχέση με τις οποίες δηλώνεται η συμμόρφωση] [Referințele standardelor armonizate utilizate folosite sau referințele specificațiilor în legătură cu care se declară conformitatea:]

Dove applicabile \* il nome e il numero del laboratorio notificato che ha rilasciato la certificazione e il riferimento al documento [W stosownych przypadkach \* notyfikowana nazwa i numer laboratorium, które wydało certyfikat oraz odniesienie do dokumentu] [Όπου ισχύει \* το γνωστοποιημένο όνομα και τον αριθμό του εργαστηρίου που εξέδωσε την πιστοποίηση και την αναφορά στο έγγραφο] [Unde este cazul \* numele și numărul de laborator notificat care a eliberat certificarea și trimiterea la document]

2006\_42\_EC\_MACHINE  
macchine [maszyny] σχετικά με τα μηχανήματα [echipamentele tehnice]

EN 60745-1:2009+A11:2010  
EN 50580:2012+A1:2013

2014\_30\_EU EMC  
compatibilită electromagnetică [kompatybilności elektromagnetycznej] [ηλεκτρομαγνητική συμβατότητα] [compatibilitatea electromagnetică]

EN 55014-1:2017/A11:2020  
EN 55014-2:2015  
EN IEC 55014-1:2021  
EN IEC 55014-2:2021  
EN IEC 61000 -3-2:2019/A1:2021  
EN 61000-3-3:2013/A1:2019

2011\_65\_EU RoHS  
Restrizione di sostanze pericolose nelle apparecchiature elettriche [Ograniczenie niebezpiecznych substancji w sprzęcie elektrycznym] [Περιορισμός επικίνδυνων ουσιών σε ηλεκτρικό εξοπλισμό] [Restricționarea substanțelor periculoase în echipamentele electrice]

ROHS Directive (EU) 2015/863 amending Directive 2011/65/EU  
IEC 62321-3-1:2013  
IEC 62321-4:2013  
IEC 62321-5:2013  
IEC 62321-6:2015  
IEC 62321-7-1:2015  
IEC 62321-7-2:2017  
IEC 62321-8:2017  
EN IEC 63000:2018

Compilato, firmato in vece e per conto di [Opracowano, podpisano w imieniu] [Συντάχθηκε, υπογράφη για και εξ ονόματος] [Compilat, semnat de și în numele]

XiaoBing GUO  
Asia Quality Platform Leader  
within delegation of signature from  
Gislert MENARD  
ADEO Global Quality Leader

Luogo e data del rilascio [Data wydania i miejsce] [Τόπος και ημερομηνία έκδοσης]

Shanghai China  
2022/4/29





