



Paulmann

Safety Instructions

1, 2, 3, 4, 5, 6, 7, 8, 9, 12, 13, 15, 16, 19, 20, 21, 22, 24, 28, 33, 34



31.08.2021



A++ - A

01.09.2021



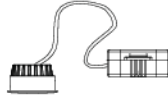
F

Paulmann Licht GmbH
Quezinger Feld 2
31832 Springe
Germany

www.paulmann.com

Art.-Nr.: 930.72

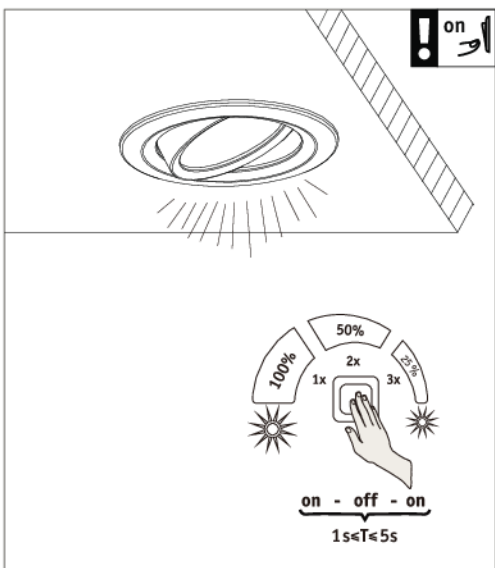
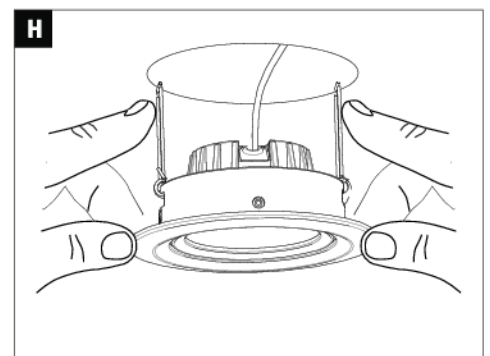
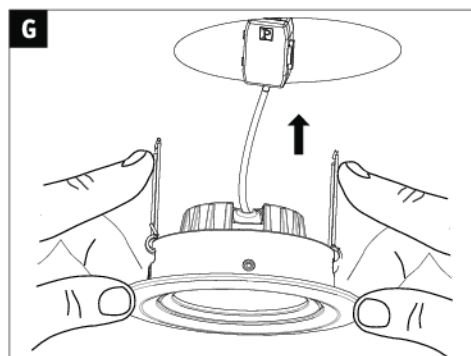
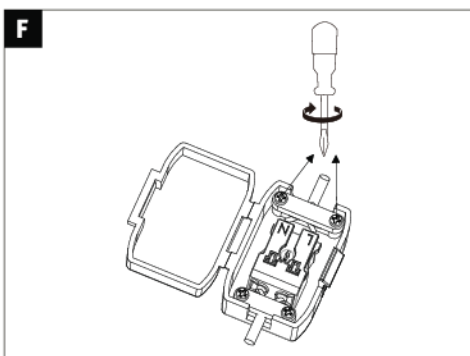
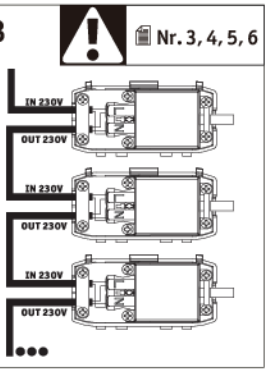
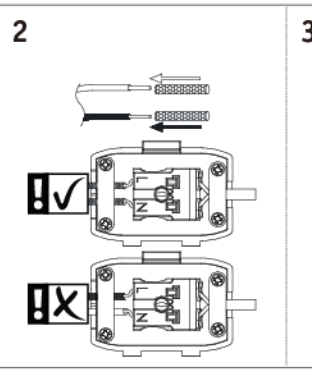
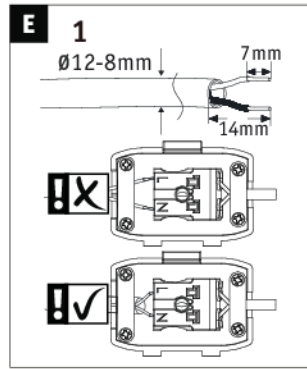
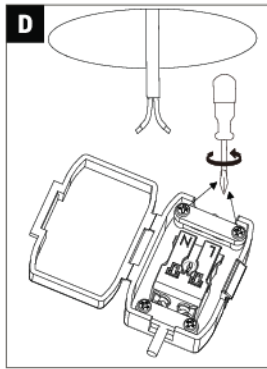
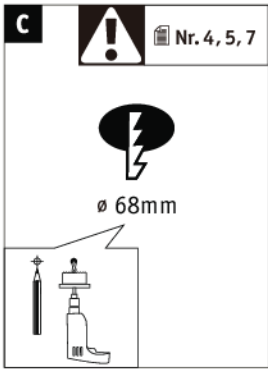
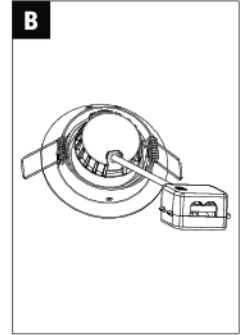
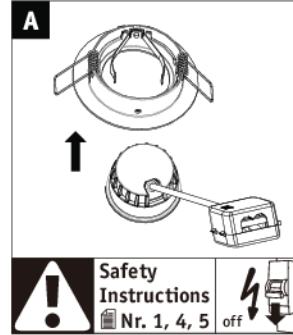
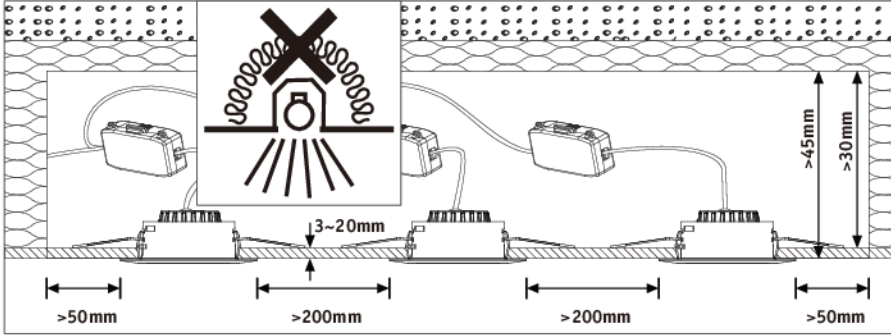
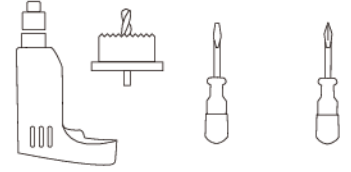
(+MA326) PSU 07/22



1x



Incl.



ENERGY

Paulmann
93072

A
B
C
D
E
F
G

6 kWh/1000h

2019/2015



ø 51 mm



530 lm
6 W
230 V

neutral ▼ white
4000K

CRI/Ra ≥ 80

ON OFF >50.000

Lumen 60% <1 s

390093072