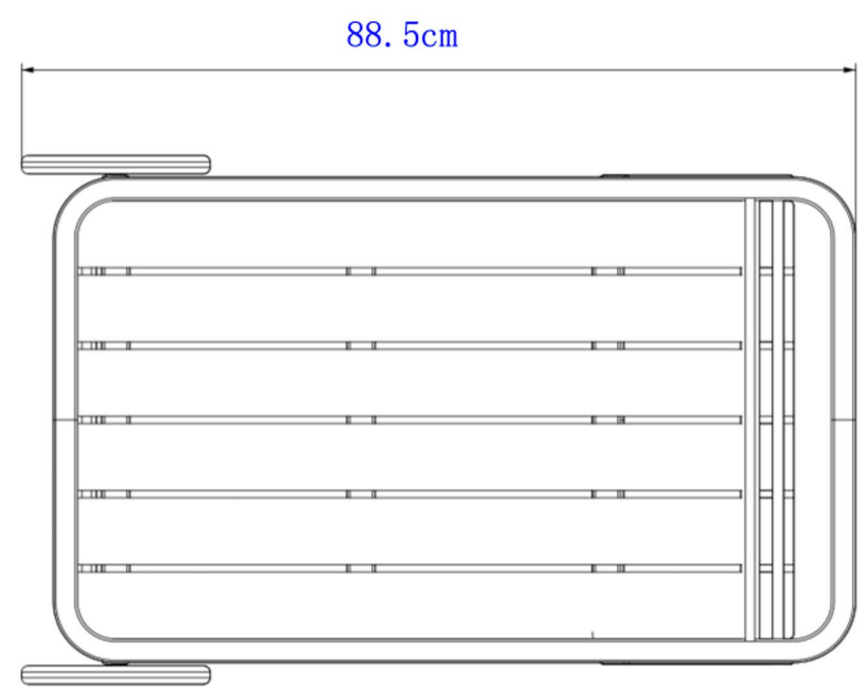
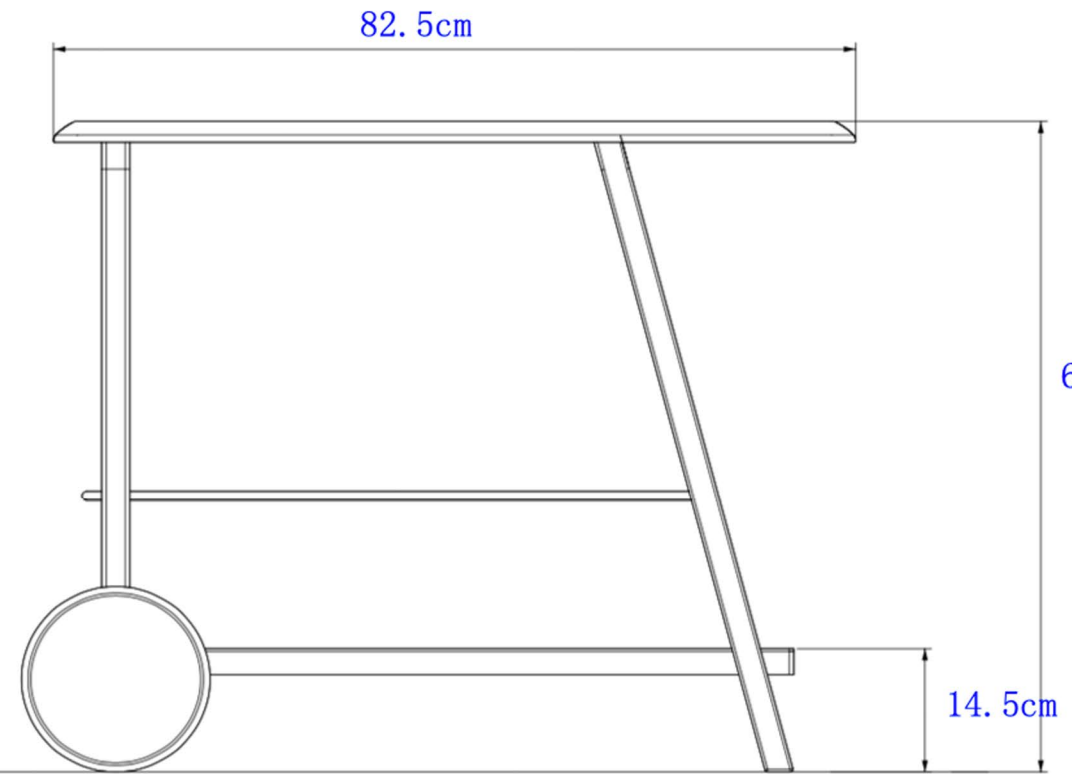
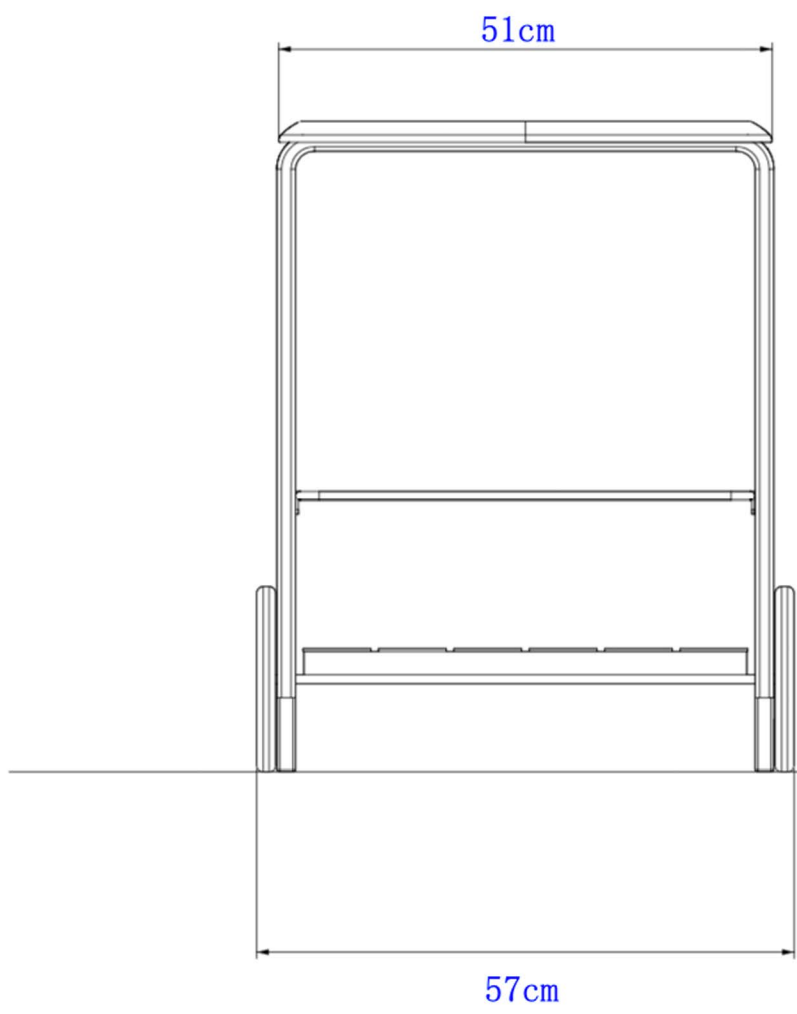


8 7 6 5 4 3 2 1

F
E
D
C
B
A

F
E
D
C
B
A



GENERAL TOLERANCES:
 LINEAR:
 ANGULAR:

TITRE:
IDAHO TROLLEY

No. DE PLAN 3276007397161 / 3276007397185 /
 3276007397208 / 3276007397222 / 3276007396935 /
 3276007396942 / 3276007396966 / 3276007396980

A3
 REVISION

ECHELLE: 1:1 (Scale can be adapted) Dimensions in mm FEUILLE 1 SUR 1

Rev	NAME	DATE
01		
02		
03		
04		
05		
06		

adeo
 ADEO - 135, rue Sadi Carnot
 CS 00001 - 59790 RONCHIN
 FRANCE

MATERIAU/FINISHING:
ALUMINIUM

8 7 6 5 4 3 2 1