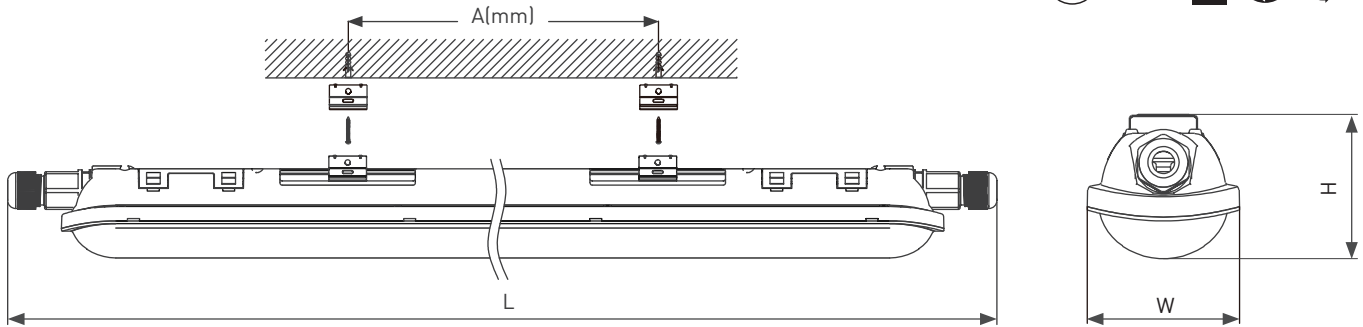
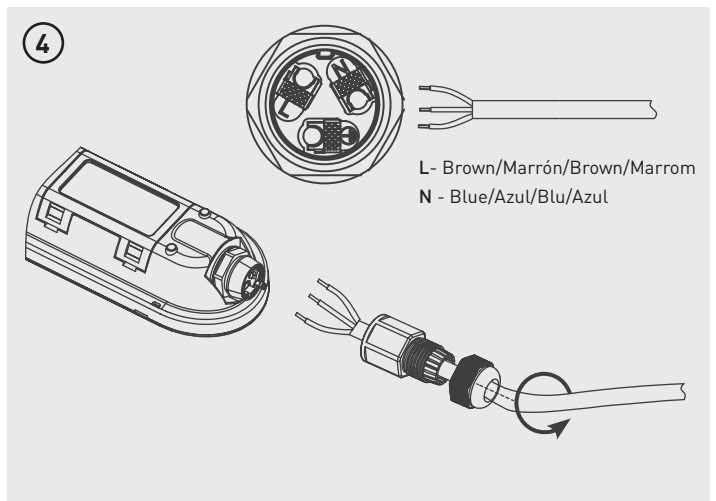
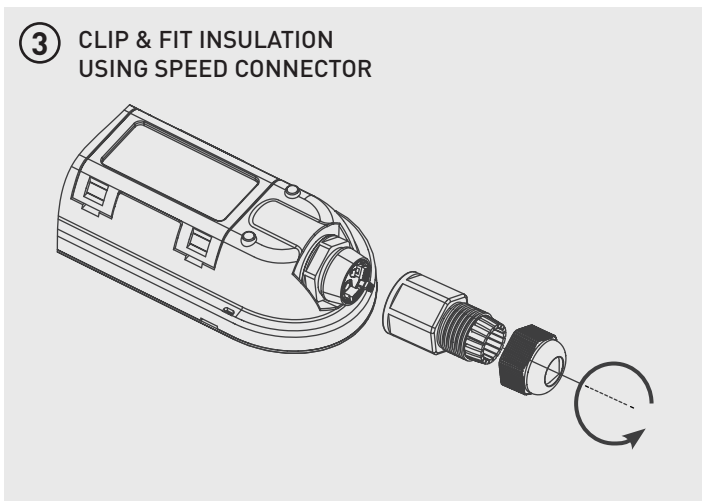
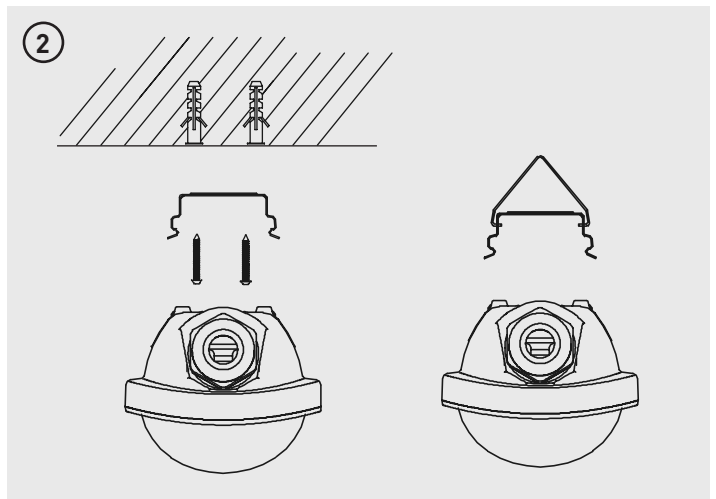
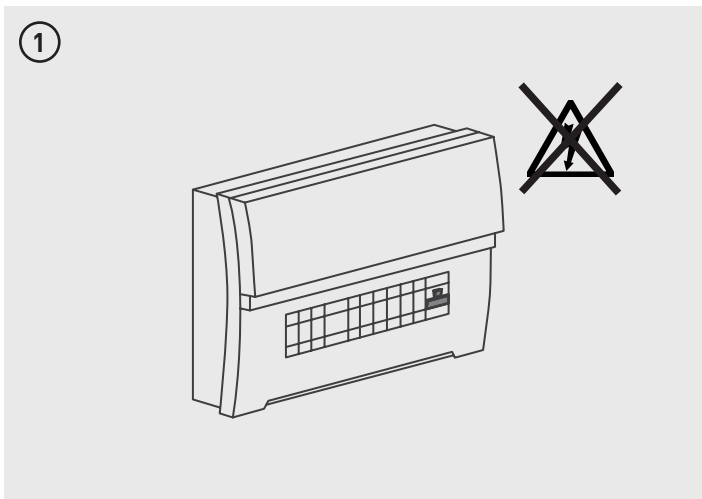


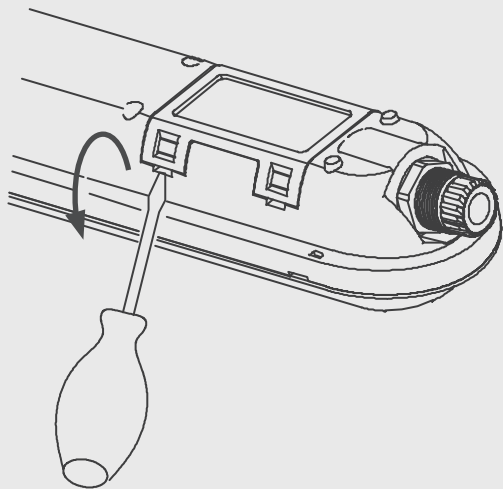
ECO CLIMATE SPEEDFIT LED ANTI-CORROSIVE



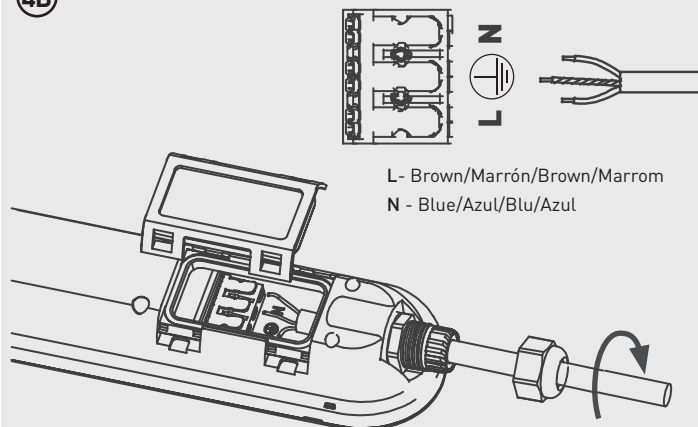
Model		L(mm)	W(mm)	A(mm)	H(mm)
ECLS6G14S40-01	ECLS6G25S40-01	646	72	250-280	68
ECLS12G28S40-01	ECLS12G48S40-01	1236	72	570-670	68
ECLS15G40S40-01	ECLS15G660S4-01	1536	72	850-950	68



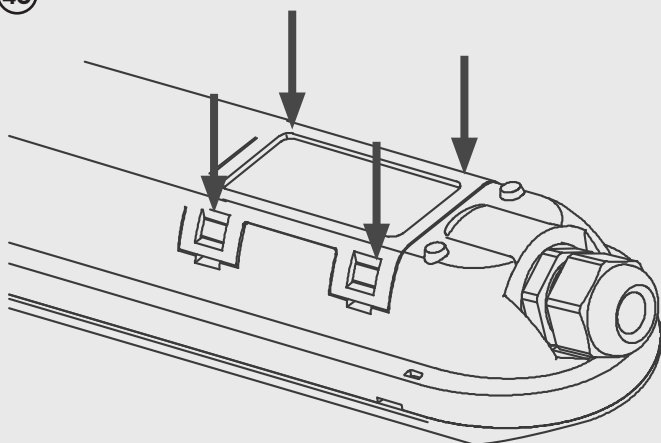
4A SPEED FIT CONNECTION OPTION



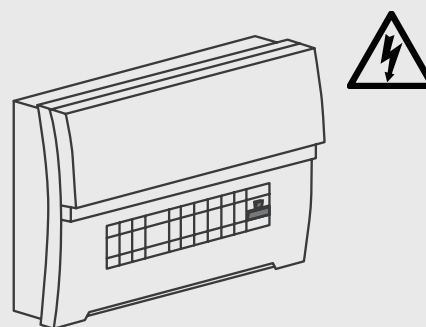
4B



4C



5



Tech Help Line

UK - **0330 0249 279**
Non UK - **+44 (0)1952 238 100**
Supplied by LUCECO
Stafford Park 1, Telford, Shropshire,
England, TF3 3BD

Kontakt

UK - **0330 0249 279**
Non UK - **+49 40 89066 878 - 29**
Geliefert von Luceco GmbH
Holstenplatz 20b,
22765 Hamburg DEUTSCHLAND

Support Technique

UK - **0330 0249 279**
Non UK - **+33 (0)1 61 10 10 35**
Notice fournie par
Luceco SAS France & Belux 3
Rue de Courtalin, Magny Le Hongre 77700
FRANCE & BELUX

Servicio de asistencia telefónica

UK - **0330 0249 279**
Non UK - **+34 93 576 83 21**
Facilitado por BG Electrical Ltd
Liessamins, 6, 08338,
Premia de Datt Barcelona, Spain

Assistenza tecnica telefonica

UK - **0330 0249 279**
Non UK - **+39 0434 1696795**
Fornito da BG Electrical Ltd Nexus
Italia, Via Amman 10 33170
Pordenone, Italy