

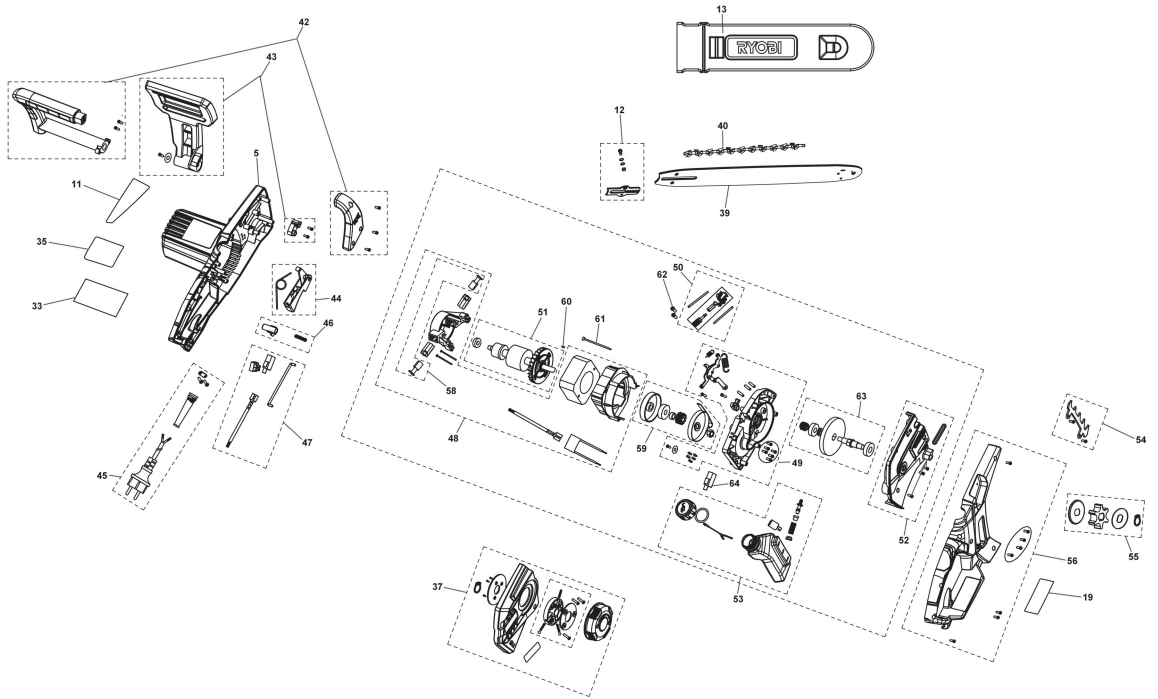
RCS2340B2C 2300W 40CM ELEC CHAINSAW IN2

5133004394 - RCS2340B2C - 4000462822





4000462816
4000462820
4000462822
4000462825



Position	Quantity	Description	Part number	EAN
1005	1	HOUSING	5131041989	4058546252038
1011	1	LABEL	5131041990	4058546252045
1012	1	ADJUSTER	5131041991	4058546252052
1013	1	SCABBARDS	5131041992	4058546252069
1019	1	LABEL	5131041993	4058546252076
1033	1	LABEL	5131041994	4058546252083
1035	1	LABEL	5131041995	4058546252090
1037	1	COVER	5131041996	4058546252106
1042	1	HANDLE	5131041997	4058546252113
1043	1	HAND GUARD	5131041998	4058546252120
1044	1	TRIGGER	5131041999	4058546252137
1045	1	POWER CORD	5131042000	4058546252144
1046	1	KNOB	5131042002	4058546252168
1047	1	SWITCH	5131042003	4058546252175
1048	1	STATOR	5131042004	4058546252182
1049	1	HOLDING DEVICE	5131042005	4058546252199
1050	1	OIL PUMP	5131042006	4058546252205
1051	1	ARMATURE	5131042007	4058546252212
1052	1	GEAR BOX COVER	5131042008	4058546252229
1053	1	TANK	5131042009	4058546252236
1054	1	GUIDE BAR	5131042010	4058546252243
1055	1	SPROCKET	5131042011	4058546252250
1056	1	HOUSING	5131042012	4058546252267
1058	1	CARBON BRUSH	5131042013	4058546252274
1059	1	BRAKE DISC	5131042014	4058546252281
1060	1	PARALLEL KEY	5131042015	4058546252298
1061	1	CABLE JOINT	5131042016	4058546252304
1062	2	SCREW	5131042017	4058546252311
1063	1	WORM GEAR WHEEL	5131042018	4058546252328
1064	1	SWITCH	5131042019	4058546252335
1039	1	RAC249 AC Chainsaw Bar RCS2340 XXX	5132002784	4892210137838
1040	1	RAC253 REPLACENT CHAIN FOR RCS2340B XXX	5132004345	4892210173065