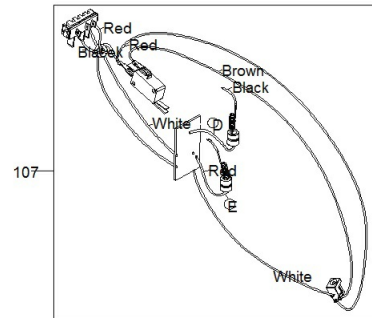
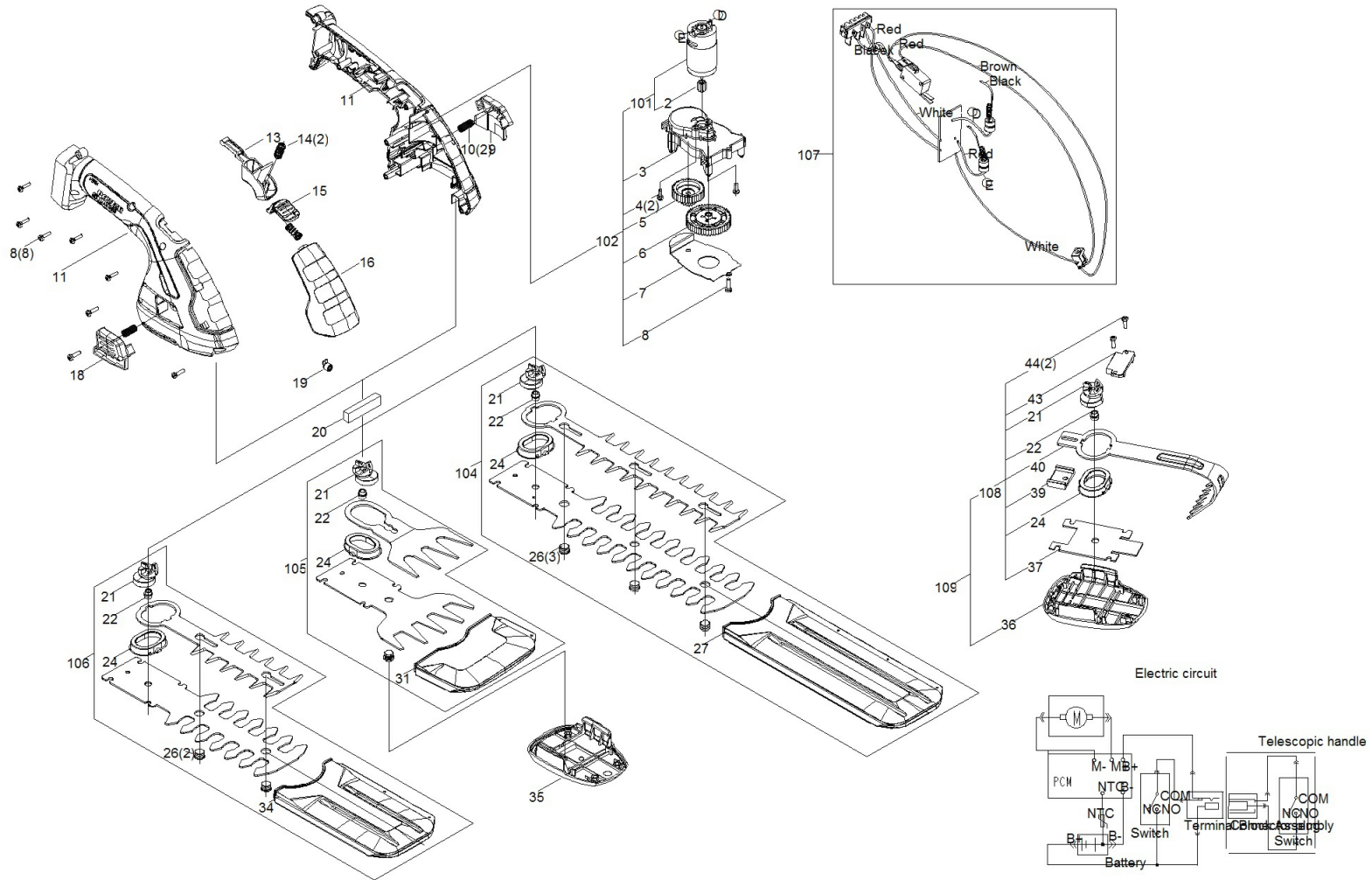




WG801E.91



## WG801E.91

	Part No	Description	Qtà
2	50034055	Gear1	1
3	50034040	Gear case assembly	1
4	50002724	Screw washer assembly	2
5	50034043	Gear2	1
6	50034051	Main Gear	1
7	50034048	Gear case cover	1
8	50040002	Self Tapping Screw	9
9	50017596	Button I	1
10	50018128	Compression spring	2
11	50039745	Housing	1
13	50034041	Switch Lever	1
14	50013693	Compression spring	2
15	50034052	Switch Lock Button	1
16	50034042	Depcorale Cover	1
18	50017595	Button II	1
20	50039477	Filter	1
21	50034181	Eccentric	4
22	50017610	Fixing pin	4
24	50034182	Liner Sleeve Bush	4
26	50039478	Rivet	5

## WG801E.91

	Part No	Description	Qtà
27	50034160	Blade Sheath 8*200	1
31	50034159	Blade Sheath 100	1
34	50034184	Blade Sheath 8*120	1
35	50034046	Bottom plate	1
36	50040221	Base plate	1
37	50040222	Base plate	1
39	50040223	Oil Seal Bearing	1
40	50040224	Top blade	1
43	50040225	Oil Seal Bearing	1
44	50026213	Self Tapping Screw	2
50	50000677	Compression spring	1
101	50034185	Motor Assembly	1
102	50039804	Powerhead Assembly	1
104	50034045	Blade 8*200	1
105	50034050	Blade 100 Assembly	1
106	50034053	Blade 8*120	1
107	50039806	Power Supply Board Set	1
108	50040220	Blade Assembly	1
109	50040219	Blade Assembly	1
F1	50040294	Rated label	1

WG801E.91



Part No

Description

Qtà