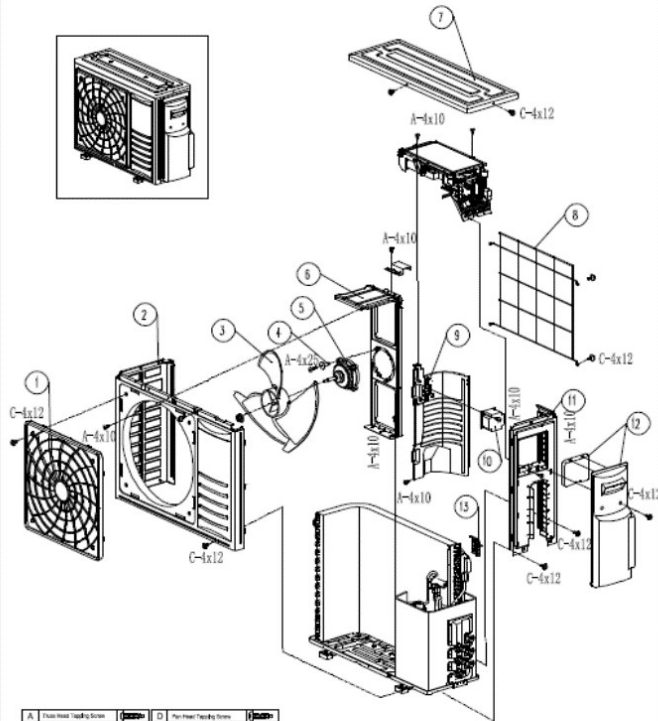


LOCATION OF SERVICE PARTS IN THE UNIT

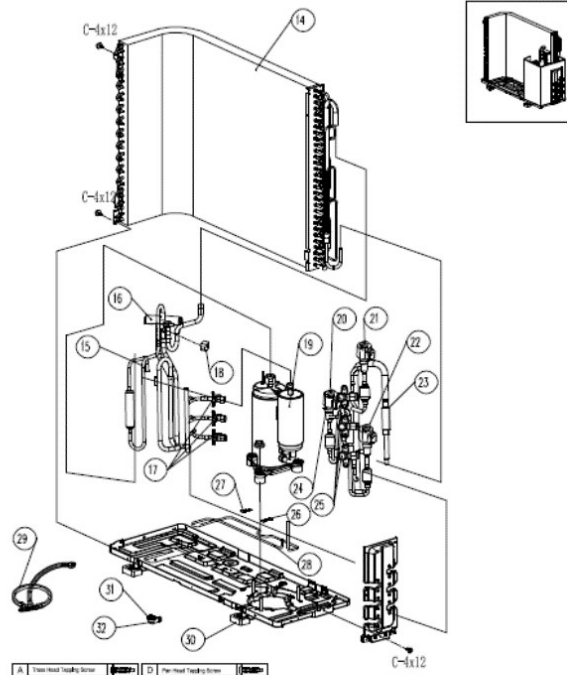


A	Top Head Fixing Screw	D	Top Head Fixing Screw
B	High Pressure Control Valve	E	Low Pressure Oil Filling Valve
C	Medium Pressure Fixing Screw	F	Oil

The information on this page is for use and should be read for the correct fitment of the ball and screw.

LOCATION OF SERVICE PARTS IN THE UNIT

<Refrigerant Cycle>

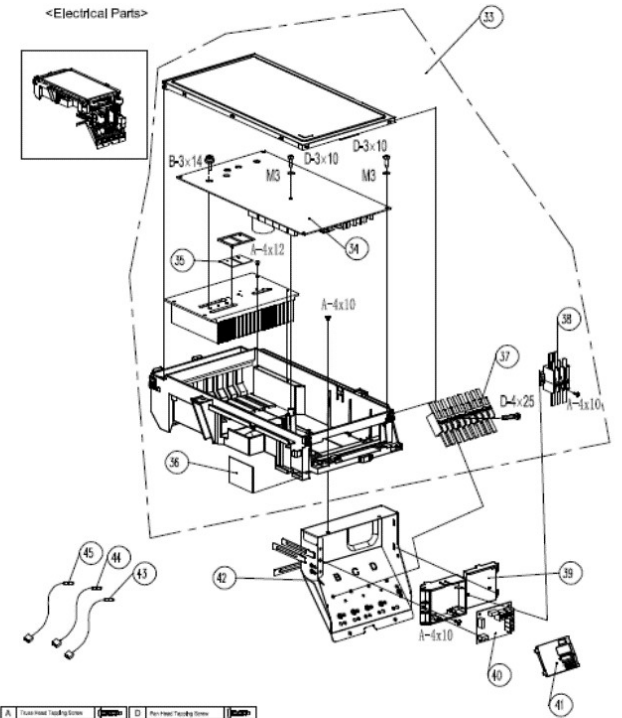


A	Top Head Fixing Screw	D	Top Head Fixing Screw
B	High Pressure Control Valve	E	Low Pressure Oil Filling Valve
C	Medium Pressure Fixing Screw	F	Oil

The information on this page is for use and should be read for the correct fitment of the ball and screw.

LOCATION OF SERVICE PARTS IN THE UNIT

<Electrical Parts>



A	Top Head Fixing Screw	D	Top Head Fixing Screw
B	High Pressure Control Valve	E	Low Pressure Oil Filling Valve
C	Medium Pressure Fixing Screw	F	Oil

The information on this page is for use and should be read for the correct fitment of the ball and screw.