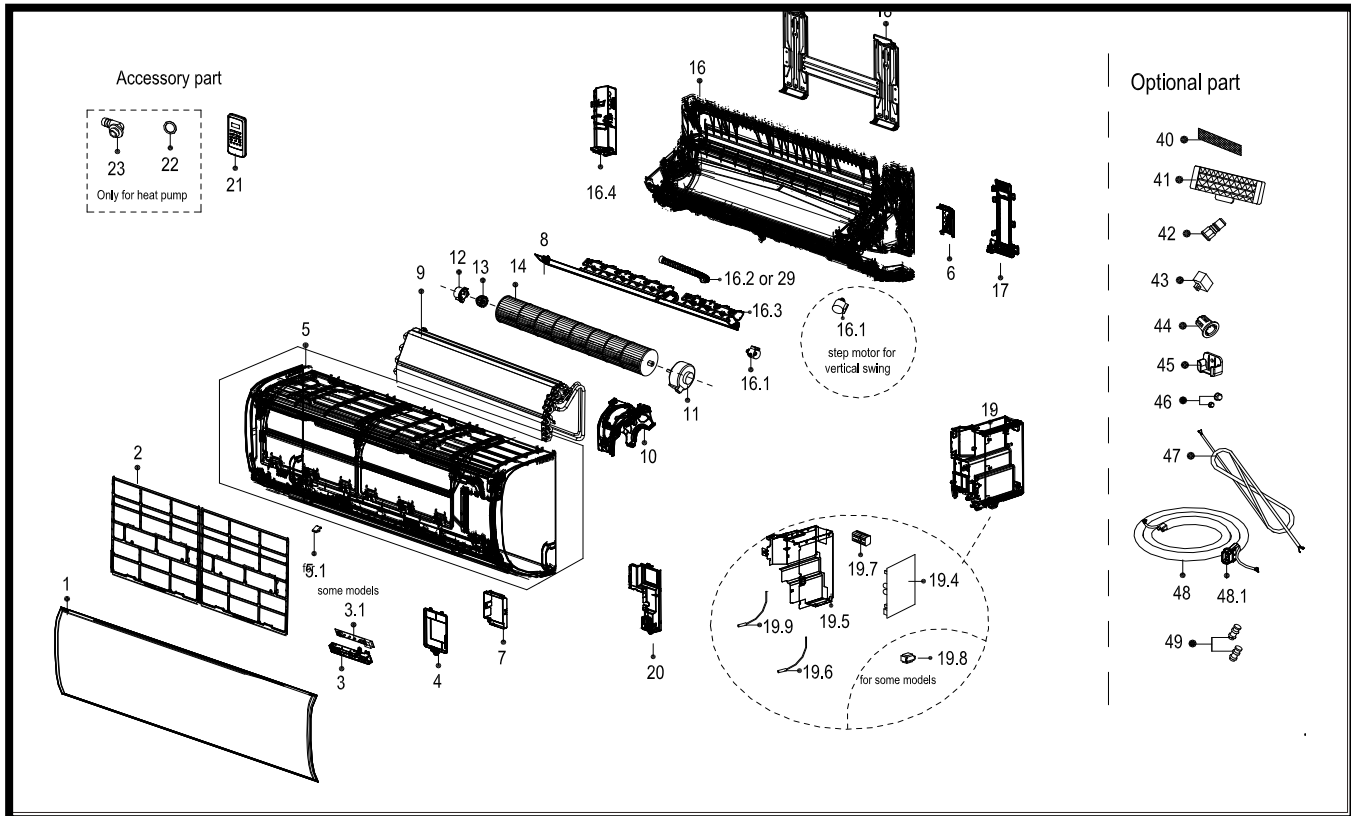


EXPLODED VIEW

Product code: ICES035AMBR32-INT



No.	Part Name	Quantity	BOM Code	Remark1
1	Panel assembly	1	12122000A72851	
2	Air filter	2	12122000015224	
3	Display box subassembly	1	17222000A45572	
3.1	Display board subassembly	1	17122000041914	
4	Cover of electrical equipment	1	12122000013131	
5	Panel frame assembly	1	12122000013170	
5.1	Screw Cap	2	12122000013139	
6	Front cover of chassis(right)	1	12122000013140	
7	Cover of electrical equipment subassembly	1	12122000013141	
8	Horizontal louver assembly	1	12122000013168	
9	Evaporator assembly	1	15822000008180	
10	Fan motor cover	1	12122000013129	
11	Single phase asynchronous motor	1	11002012031474	YKFG-13-4-38L-4
12	Bearing holder	1	12122000000350	
13	Bearing base	1	12622000000006	ZCZ-01
14	Cross flow fan	1	12100102000044	GL-94*605-N
16	Chassis assembly	1	12122000013163	
16.1	Stepper motor	1	11002010000143	SM-24-19-16-8
16.3	Horizontal louver	1	12122000013167	
16.4	Front cover of chassis(left)	1	12122000013123	
17	pipe clamp board	1	12122000013136	
18	Installation plate	1	12222000005844	
19	Electronic control box subassembly (Mid-and low-end)	1	17222000025992	
19.4	Main control board subassembly	1	17122000039995	
19.5	Electronic control box subassembly	1	12122000013001	
19.6	Pipe Temperature Sensor	1	11201007003447	CGQ-WD/GW4100-L350-XACP2-P250
19.7	Terminal	1	17400401000094	JXZ-AD5Z-A(RS9103C-5/YF2004/JX-PF-5/JGD-ZR5-P-1)
19.9	Room temperature sensor	1	11201007003424	CGQ-WD/SW4100-L350-XHBCP2BL-P300-HT1.0
20	Electrical Control Box Cover Subassembly	1	12122000013132	
21	Remote controller	1	17317000A53670	RG57A6/BGEF
22	seal ring	1	12600701000039	
23	Drain hose	1	12100509000061	
29	Drain hose	1	12100501000032	
40	Air freshening filter	1	12100204000685	
45	Bracket of remote Controller	1	12117000002114	
46	Copper nut	1	15500406000010	TLM-B02
46	Copper nut	1	15500406000016	TLM-A01