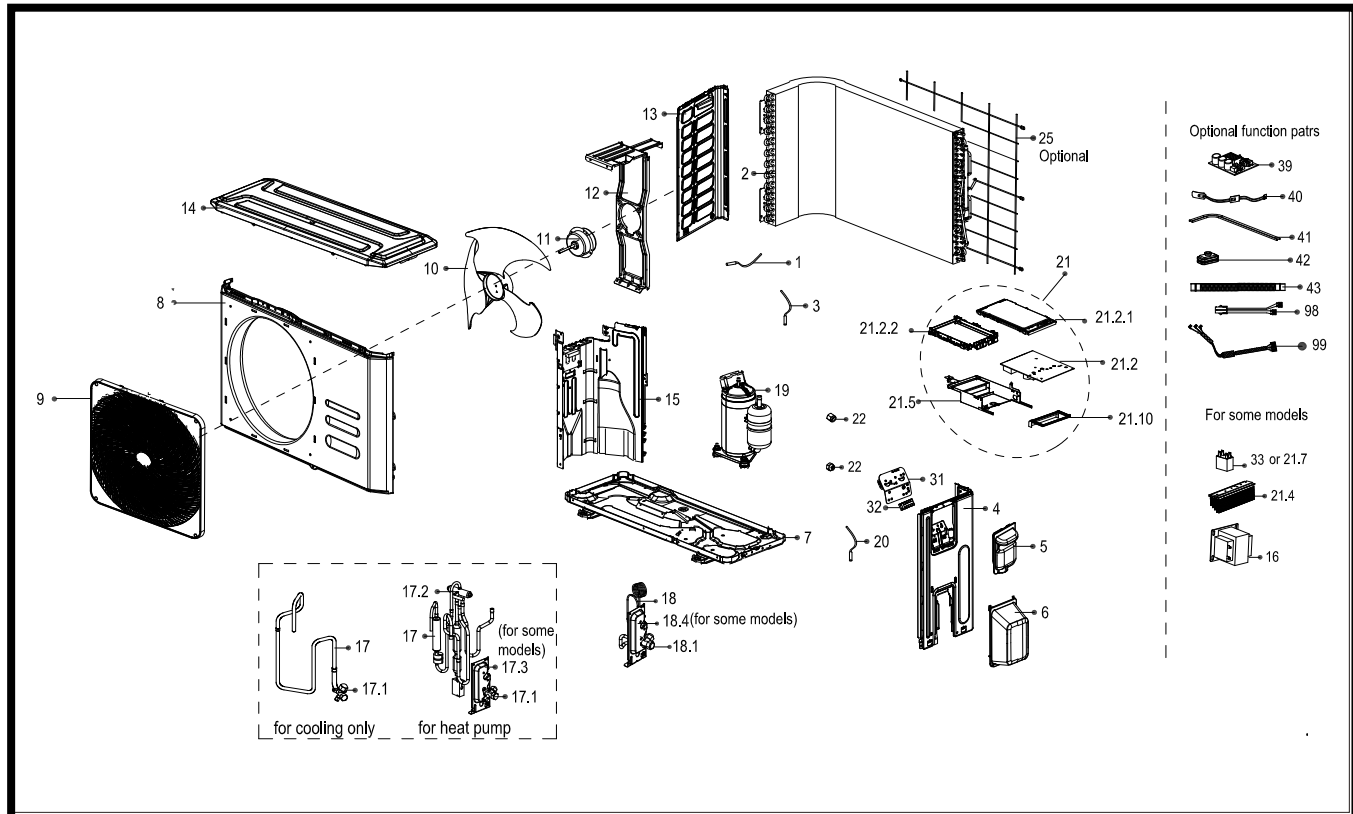


EXPLODED VIEW

Product code: ICES035AMBR32-EXT



No.	Part Name	Quantity	BOM Code	Remark1
1	Room temperature sensor	1	11201007002321	CGQ-WD/SW4100-L270-SMP2-P250
2	Condenser assembly	1	15822000008149	
3	Pipe temperature sensor	1	11201007002320	CGQ-WD/GW4100-L560-SMP3B-P500
4	Right clapboard assembly	1	12222000005065	
5	Big handle assembly	1	12100701000015	
6	Water collector	1	12122000007150	
7	Chassis assembly	1	12222000005064	
8	Front panel assembly	1	12222000005067	
9	Air outlet grille	1	12122000020241	
10	Axial flow fan	1	12100105000721	ZL-425*127*8-3KN-A
11	Brushless DC Motor	1	11002015000039	ZKFN-34-8-1
12	Supporter subassembly of fan motor	1	12222000005068	
13	Left supporter	1	12222000005066	
14	Top cover assembly	1	12222000005072	
15	Partition board	1	12222000005223	
17	4-way valve assembly	1	15422000016592	
17.1	Gas valve	1	15500204000014	DYF-A13N1
17.2	4-way valve	1	15500216000028	STF-01N1
18	Liquid valve assembly	1	15422000014292	
18.1	Liquid valve	1	15500208000028	GYF-A28N
18.4	Valve plate	1	12222000002571	
19	DC Inverter Rotary Compressor	1	11103020000279	KSK89D53UEZ
20	Discharge temperature sensor	1	11201007000005	CGQ-WD/PQ3950-L380-SMP2R-G340
21	Electronic control box subassembly	1	17222000029342	
21.2	Outdoor main control board subassembly	1	17122000046231	EU-KFR35W/BP3N8-AB30(KSK89D53UEZ_S6E2H1_IKCM15L60_ECN30622_SC1128).JD.FW.NXWK.B.DK1.1
21.2.1	Cover of electronic control box	1	12222000001455	
21.2.2	Support of electronic control box	1	12122000006913	
21.5	Electronic installing box subassembly	1	12222000001311	
21.10	Fixing board	1	12122000007073	
22	Copper nut	1	15500406000010	TLM-B02
22	Copper nut	1	15500406000016	TLM-A01
31	Support of electronic control box	1	12222000008106	
32	Terminal	1	17400401000016	JXZ-PG6H-A
99	Compressor wire subassembly	1	17401203000802	