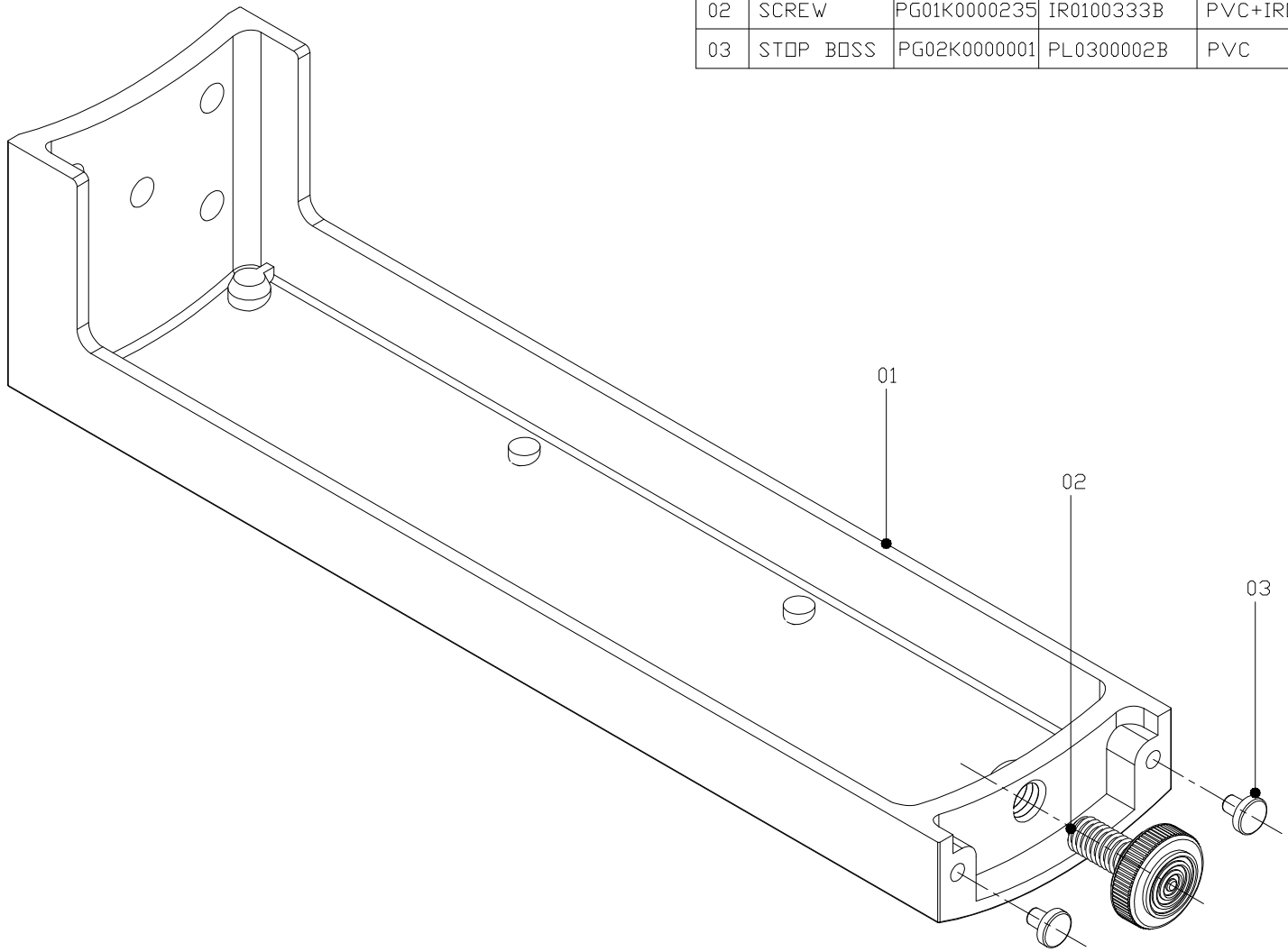


1 2 3 4 5 6

NO.	PART NAME	PART CODE	OLD PART NO.	MATERIAL	SPECIFICATION	QTY.
01	LEG	F0008Z001	BH0008	ZINC	200*50*49.8	1
02	SCREW	PG01K0000235	IR0100333B	PVC+IRON	(ϕ 16*6*M6)*20	1
03	STOP BOSS	PG02K0000001	PL0300002B	PVC	ϕ 6*5.5	2



A
B
C
D

A
B
C
D

OLD PART NO. :
BH0008SET

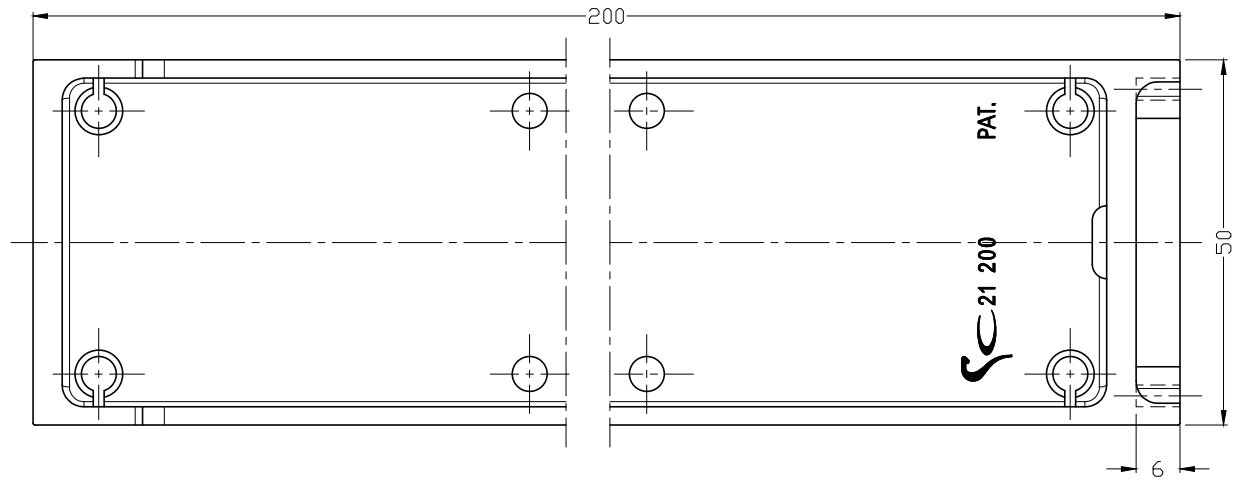
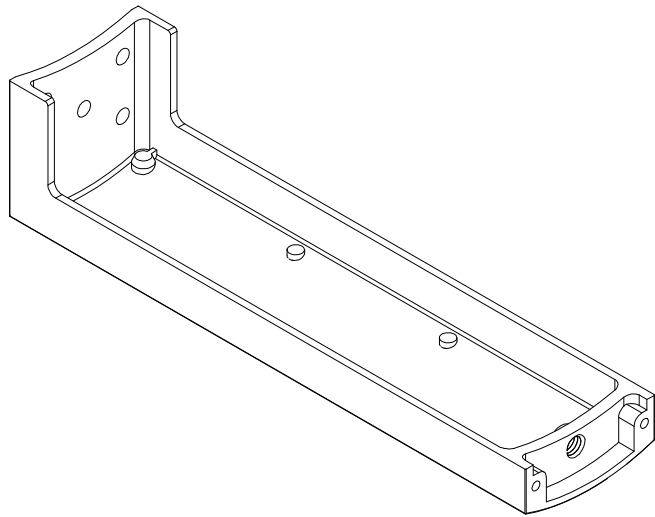
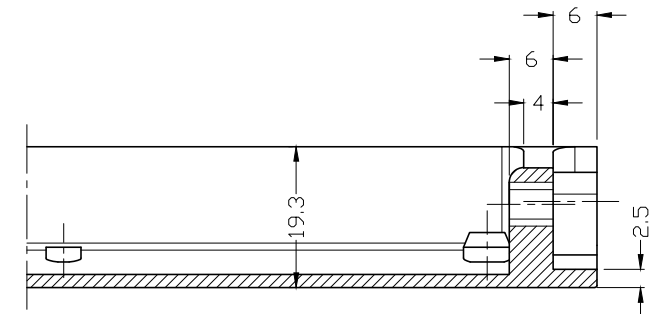
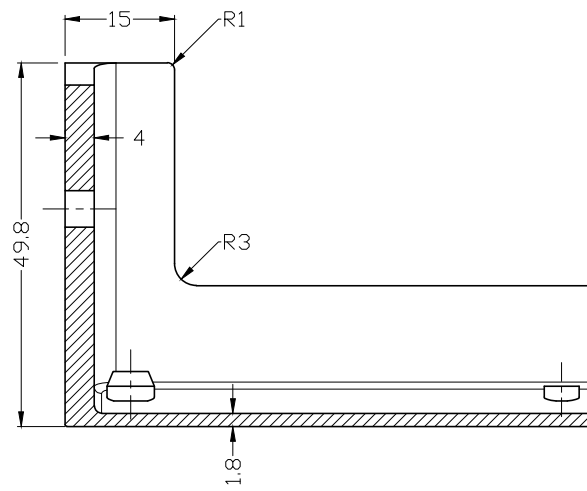
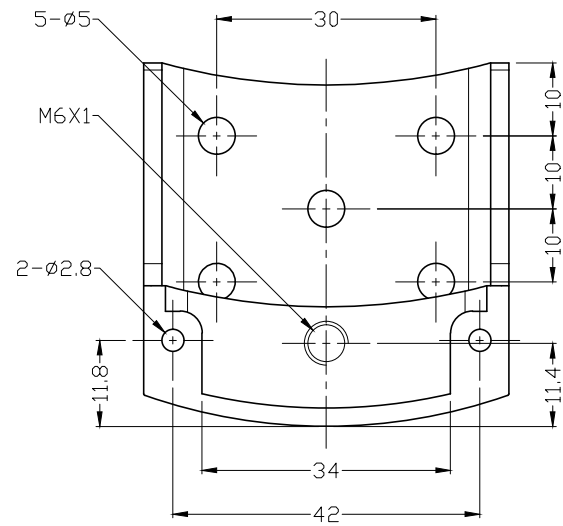
REV.	DESCRIPTION	DATE	BY
0	INITIAL DRAWING	28,OCT,09	0023

PRODUCT NUMBER	F0008ZS01
PRODUCT DESCRIPTION	PD345-S10-2009

DR. BY	0023	DATE	28,OCT,09
CK. BY	442	DATE	20/11-14
PAGE	1/4	UNIT	MM

TOLERANCE UNLESS OTHERWISE SPECIFIED	
<=25	±0.1
>25-50	±0.2
>50-100	±0.3
>100-200	±0.5
>200	±1
ANGLE	±0.5°
RADIUS	0.3
CHAMFER	0.3-0.5x45°

1 2 3 4 5 6



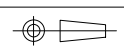
OLD PART NO. :
BH0008

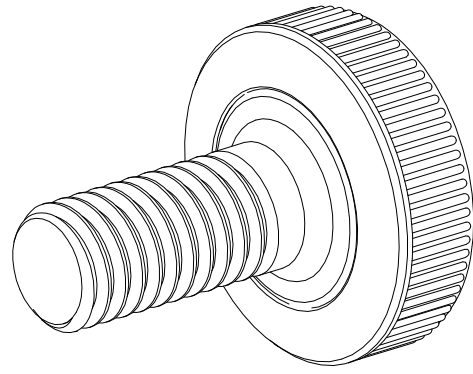
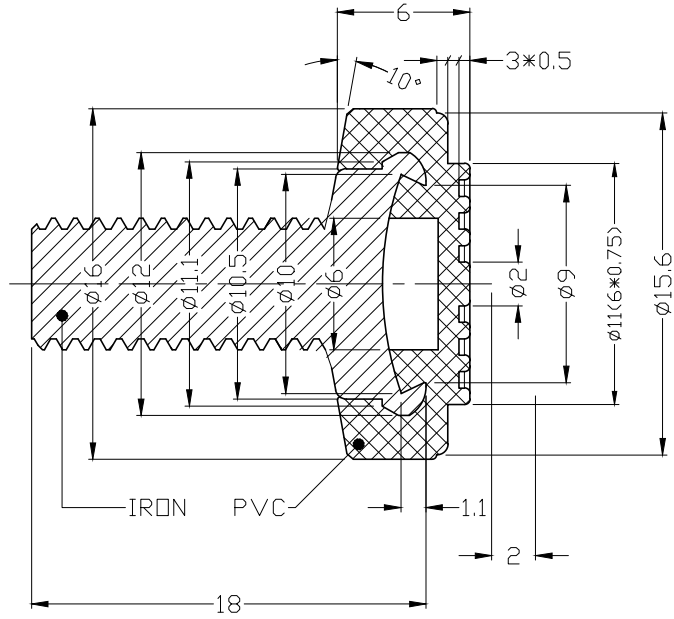
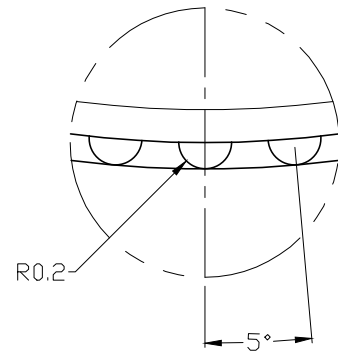
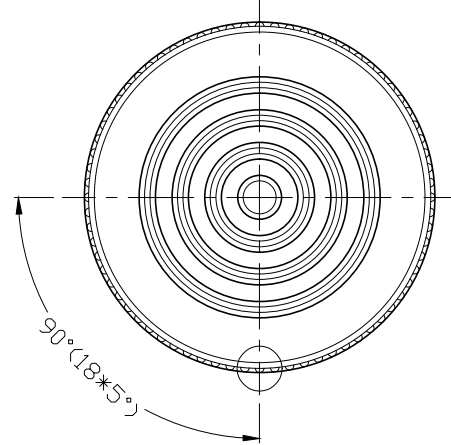
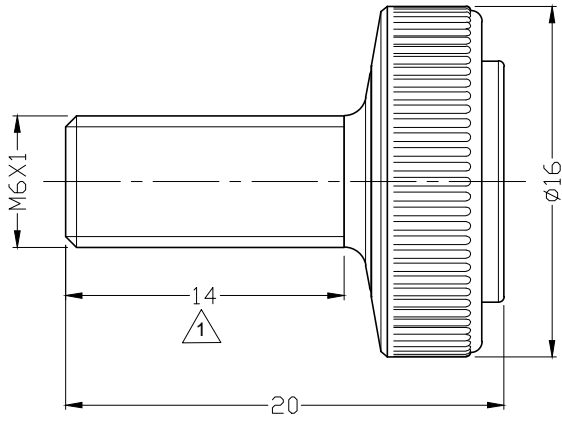
REV.	DESCRIPTION	DATE	BY
0	INITIAL DRAWING	28,OCT,09	0023

PART NUMBER	F0008Z001
PRODUCT NUMBER	F0008ZS01

DR. BY	0023	DATE	28,OCT,09
CK. BY	442	DATE	20/11-14
MATERIAL	ZINC	SCALE	1 : 1
WEIGHT<gr.>	309	AREA<mm ² >	39298
PAGE	2/4	UNIT	MM

TOLERANCE UNLESS OTHERWISE SPECIFIED	
<=25	±0.1
>25-50	±0.2
>50-100	±0.3
>100-200	±0.5
>200	±1
ANGLE	±0.5°
RADIUS	0.3
CHAMFER	0.3-0.5x45°





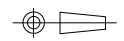
OLD PART NO. :
IR0100333B

REV.	DESCRIPTION	DATE	BY
1	螺絲牙加長到14mm(原長為11mm)	13,NOV,14	1621
0	INITIAL DRAWING	28,OCT,09	0023

PART NUMBER	PG01K0000235
PRODUCT NUMBER	F0008ZS01

DR. BY	0023	DATE	28,OCT,09
CK. BY	442	DATE	20/11-14
MATERIAL	PVC+IRON	SCALE	3 : 1
WEIGHT<gr.>		AREA<mm²>	
PAGE	3/4	UNIT	MM

TOLERANCE UNLESS OTHERWISE SPECIFIED	
<=25	±0.1
>25-50	±0.2
>50-100	±0.3
>100-200	±0.5
>200	±1
ANGLE	±0.5°
RADIUS	0.3
CHAMFER	0.3-0.5x45°



1

2

3

4

5

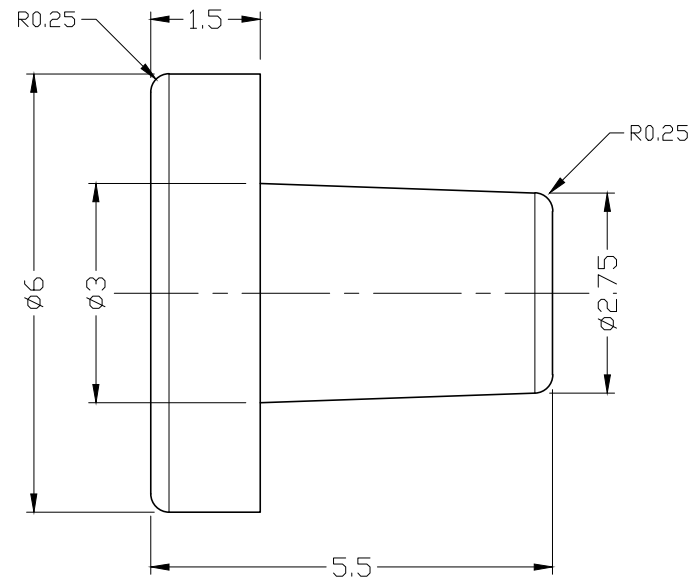
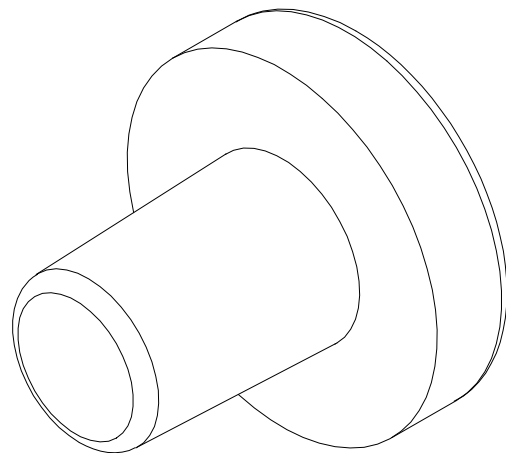
6

A

B

C

D



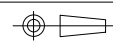
OLD PART NO. :
PL0300002B

REV.	DESCRIPTION	DATE	BY
0	INITIAL DRAWING	28,OCT,09	0023

PART NUMBER	PG02K0000001
PRODUCT NUMBER	BH0005SET&BH0008SET

DR. BY	0023	DATE	28,OCT,09
CK. BY	442	DATE	20/11-14
MATERIAL	PVC	SCALE	10 : 1
WEIGHT<gr.>		AREA<mm²>	
PAGE	4/4	UNIT	MM

TOLERANCE UNLESS OTHERWISE SPECIFIED	
<=25	±0.1
>25-50	±0.2
>50-100	±0.3
>100-200	±0.5
>200	±1
ANGLE	±0.5°
RADIUS	0.3
CHAMFER	0.3-0.5x45°



1

2

3

4

5

6