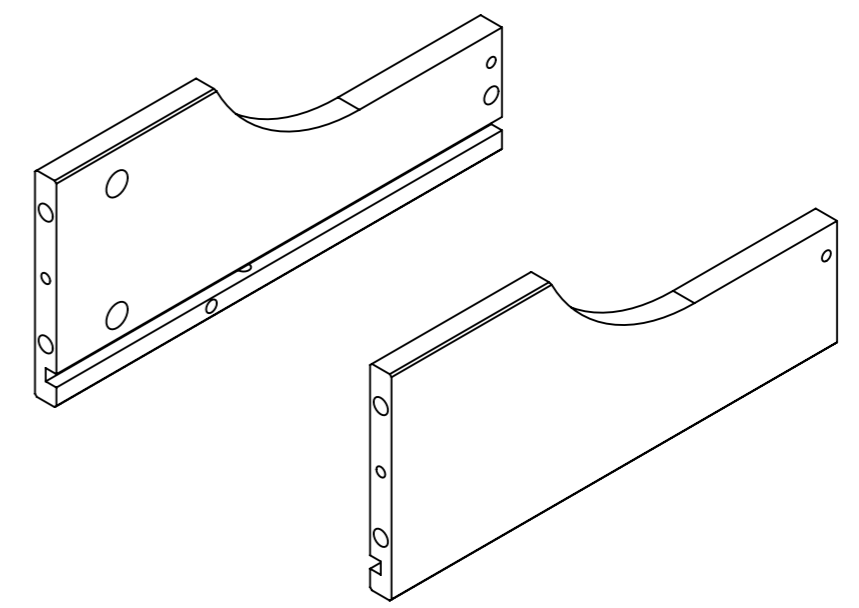


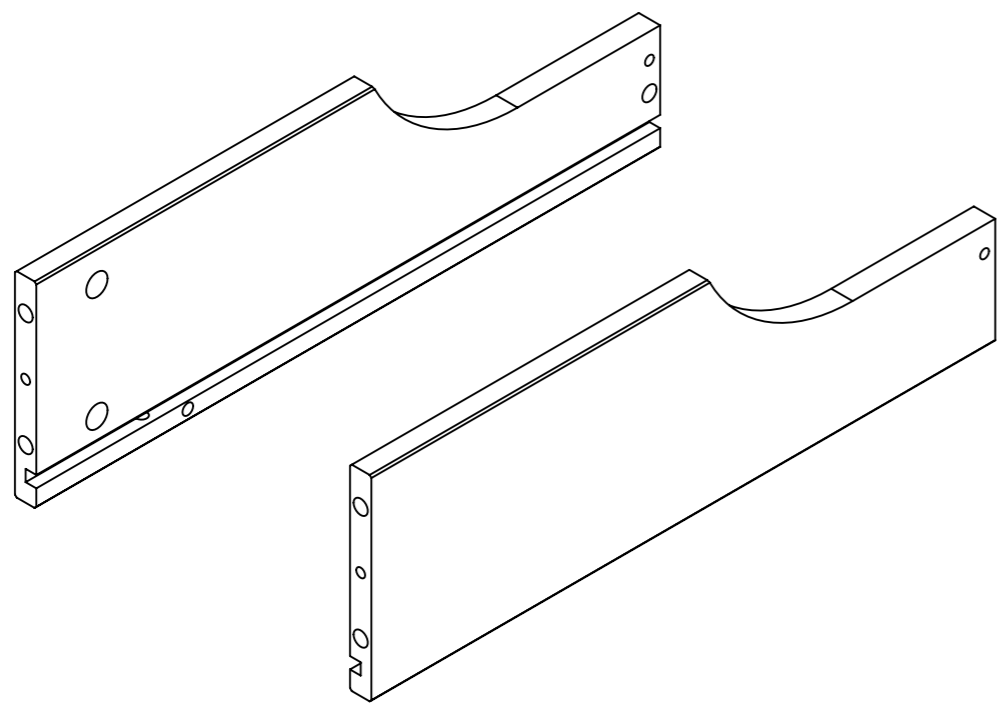
1 2 3 4 5 6 7 8

A  
B  
C  
D  
E  
F

PACK FOR DRAWER depth 250



PACK FOR DRAWER depth 350



No. ARTICLE	NUMERO DE PIECE	DESCRIPTION	QTE
1	21R07P21-0003-610-09	250 LEFT Cut	1
2	21R07P21-0003-610-10	250 RIGHT Cut	1

No. ARTICLE	NUMERO DE PIECE	DESCRIPTION	QTE
1	21R07P21-0003-610-11	350 LEFT Cut	1
2	21R07P21-0003-610-12	350 RIGHT Cut	1

MATERIAL:	DO NOT SCALE DRAWING		SHEET 1 OF 1
SURFACE:	TITLE: 21R07P21-0003-005-02 A		
LINEAR TOLERANCE: mm	DESCRIPTION: SIDE CUT		
ANGULAR TOLERANCE: deg			
WEIGHT: 336.30 g	SCALE: 1:5 UNIT: mm FORMAT: A3		
AUTOR: C.Dormegnie	CHECKER: C.Dormegnie		
STATUS:	DATE: 02/04/2021		
This drawing is the exclusive property of <b>ADEO</b> . Any reproduction in part or whole without the written permission of <b>ADEO</b> is prohibited.			

1 2 3 4 5

