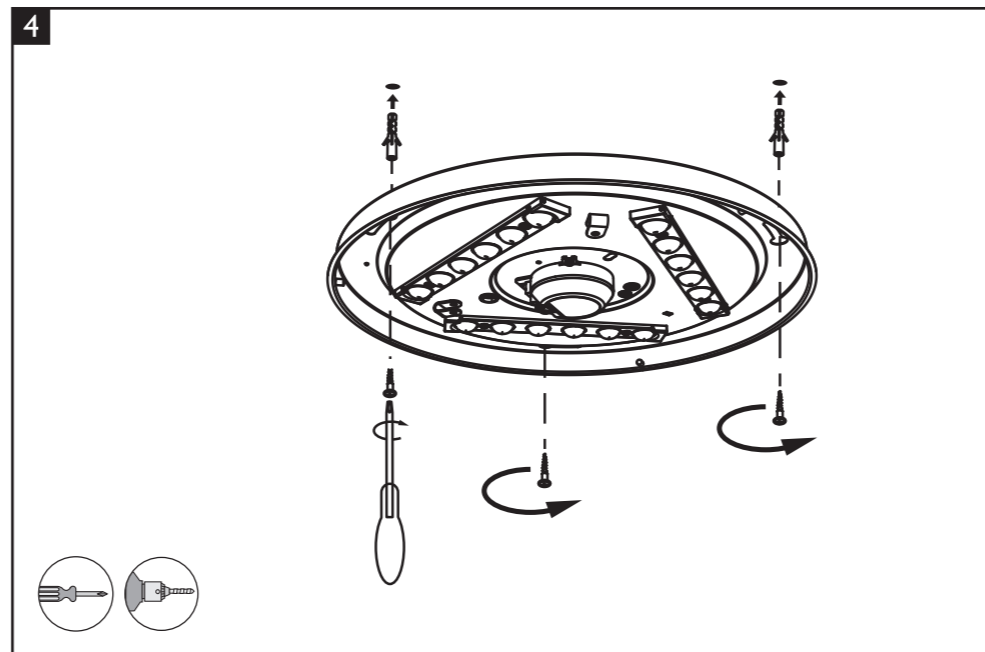
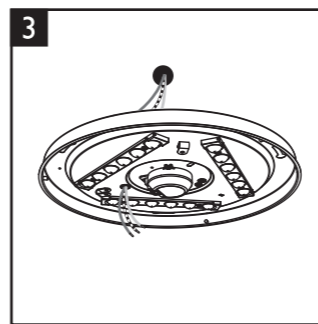
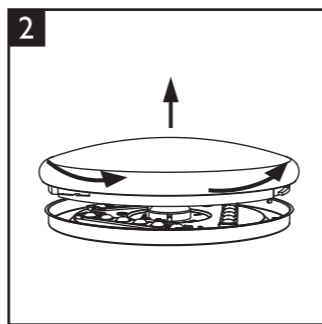
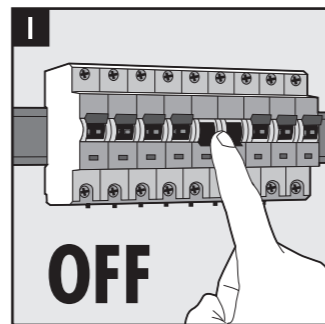
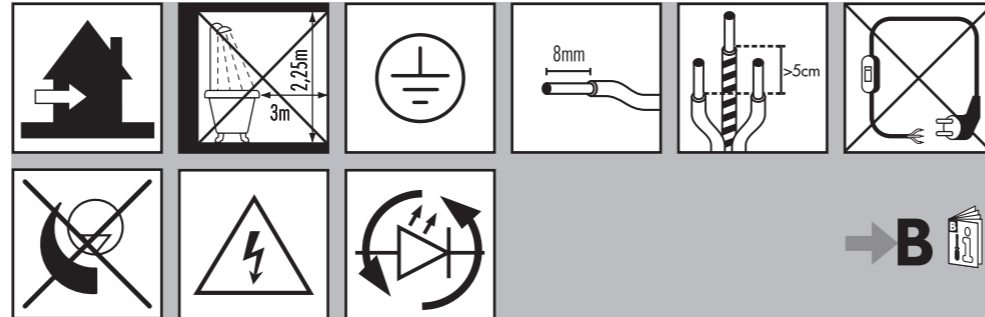
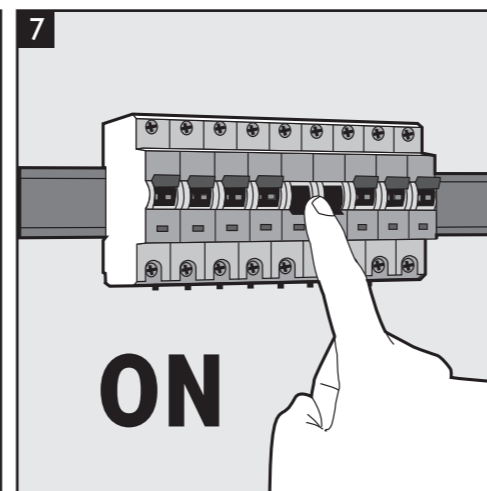
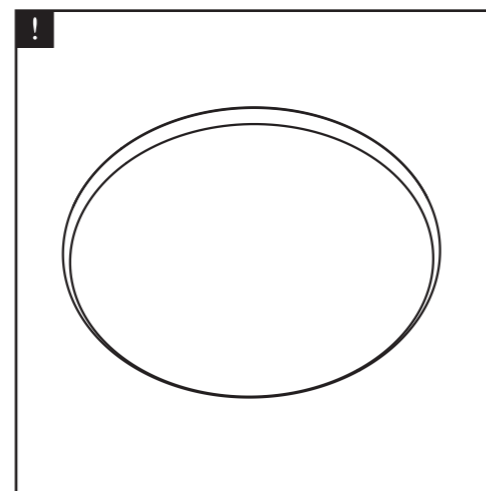
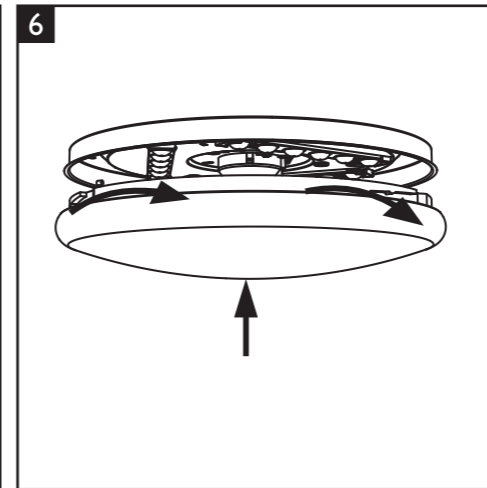
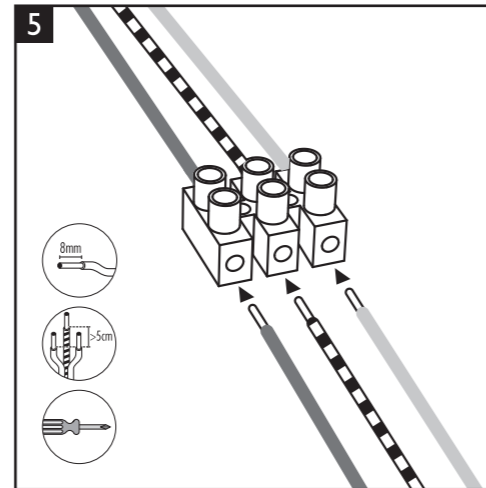




# PHILIPS



# PHILIPS



Signify  
I.B.R.S. / C.C.R.I. Numéro 10461  
5600 VB Eindhoven, the Netherlands  
[www.philips.com/lighting](http://www.philips.com/lighting)  
© 2018 Signify Holding

324165450891  
Last update: 27/03/19