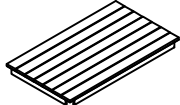
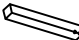
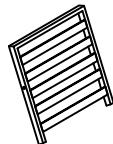

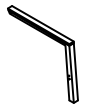

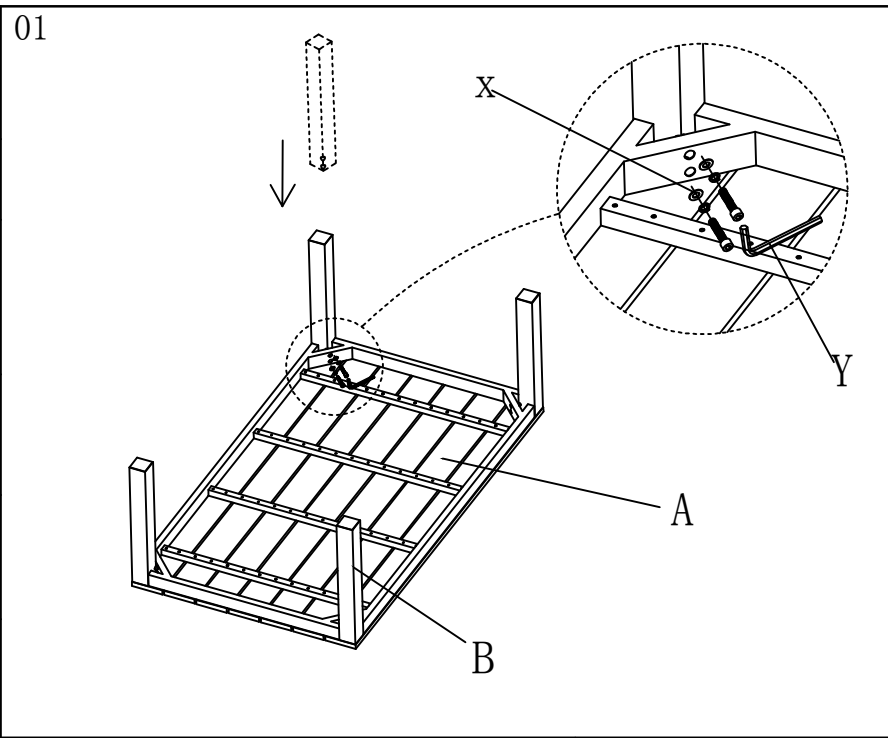
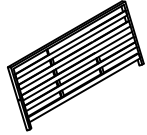
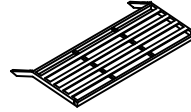
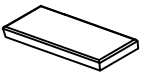
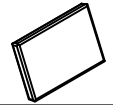

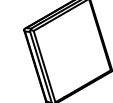
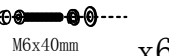
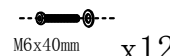
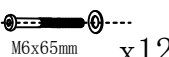

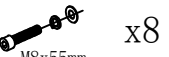

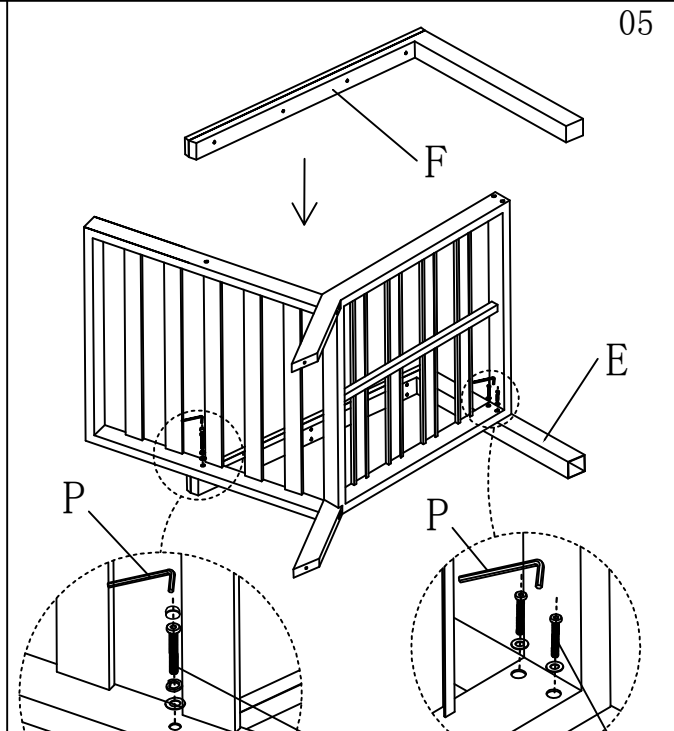
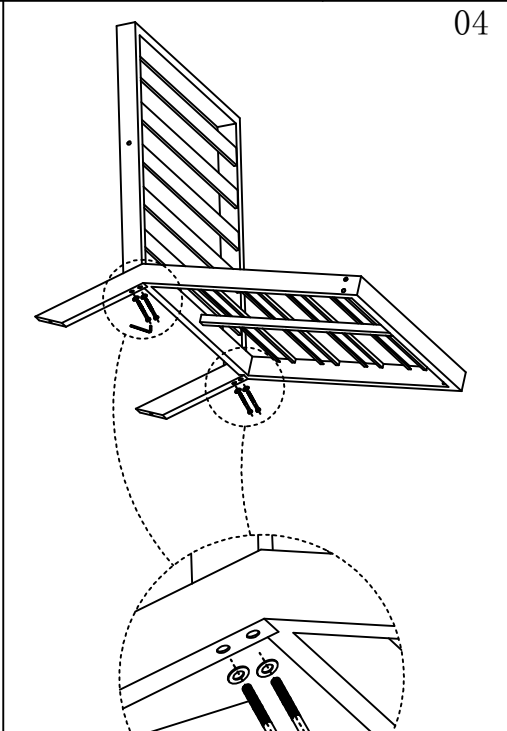
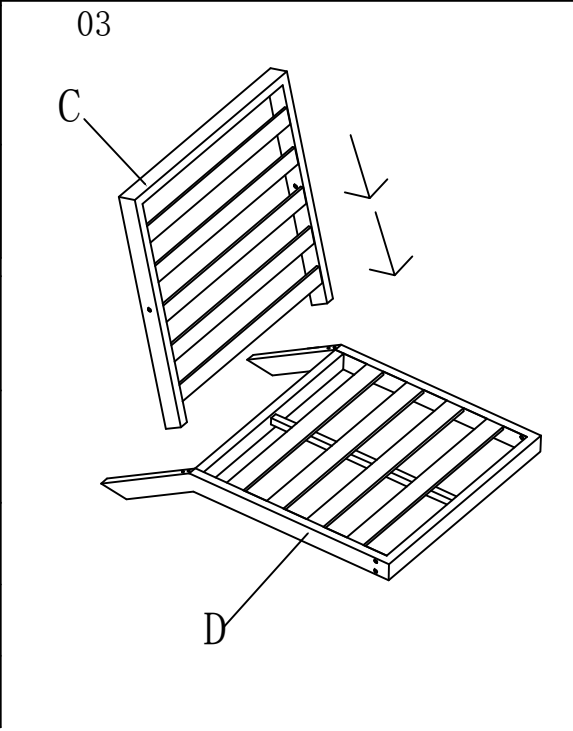


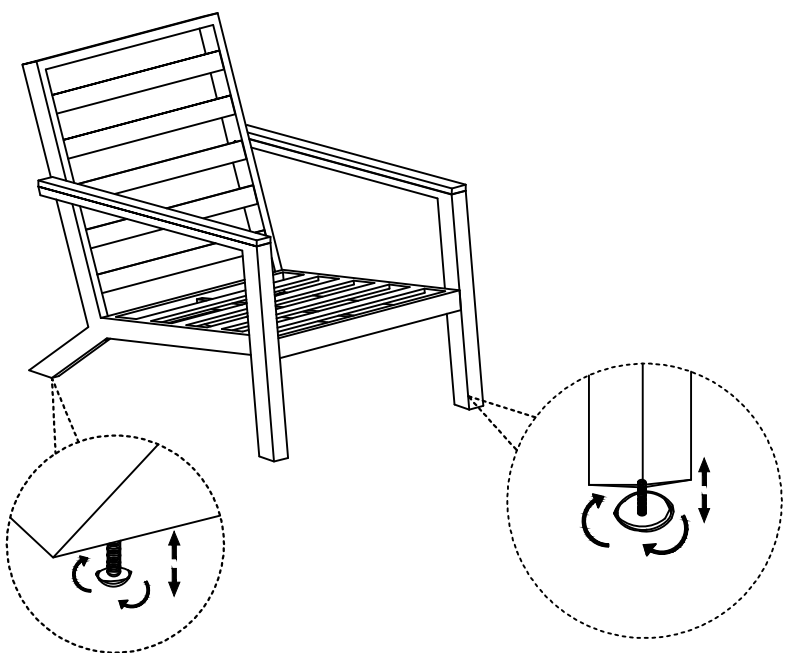
| | | |
|---|---|----|
| A |  | x1 |
| B |  | x4 |
| C |  | x2 |
| D |  | x2 |
| E |  | x3 |
| F |  | x3 |



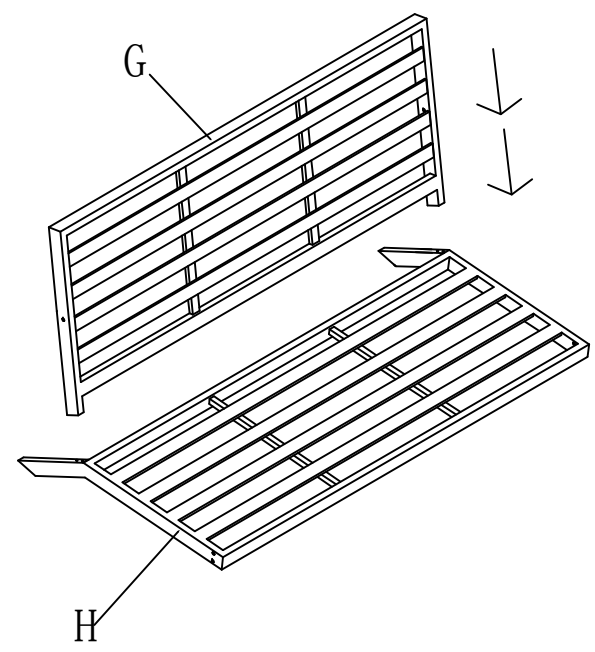
| | | |
|---|---|-----|
| G |  | x1 |
| H |  | x1 |
| I |  | x1 |
| J |  | x2 |
| K |  | x2 |
| L |  | x2 |
| M |  | x6 |
| N |  | x12 |
| O |  | x12 |
| P |  | x1 |
| X |  | x8 |
| Y |  | x1 |



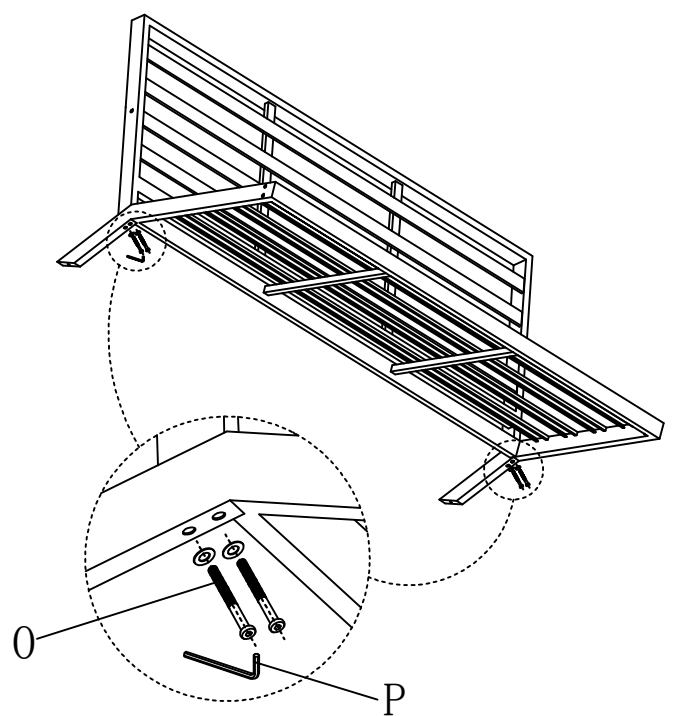
06



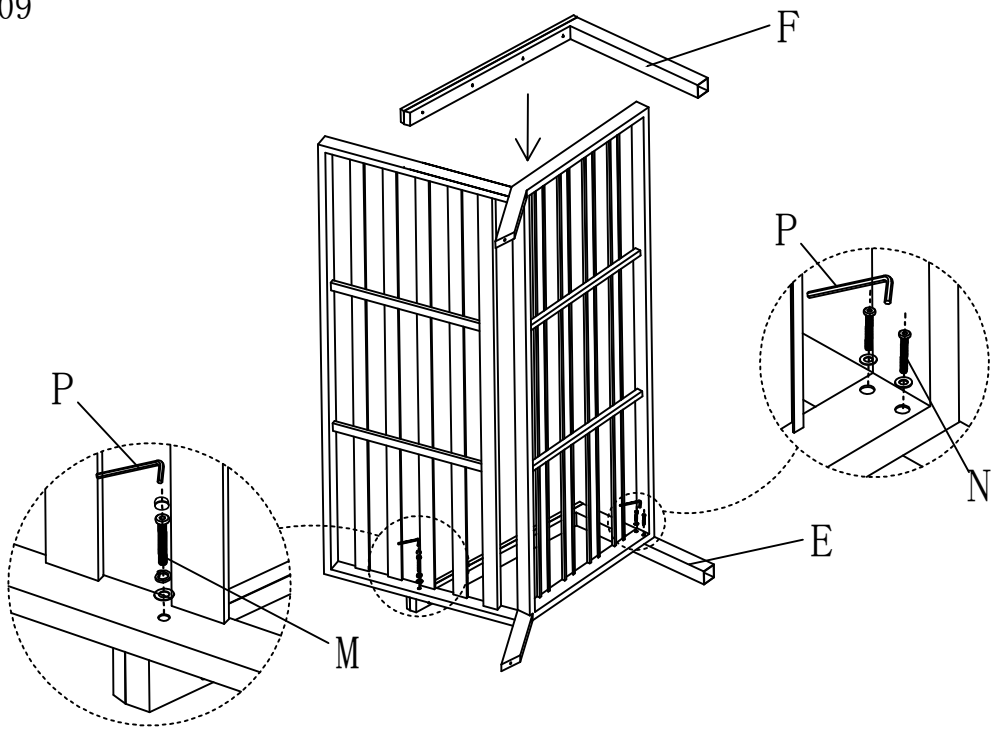
07



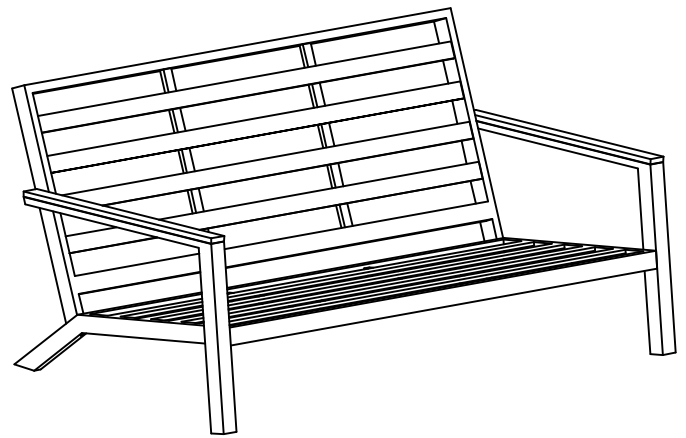
08



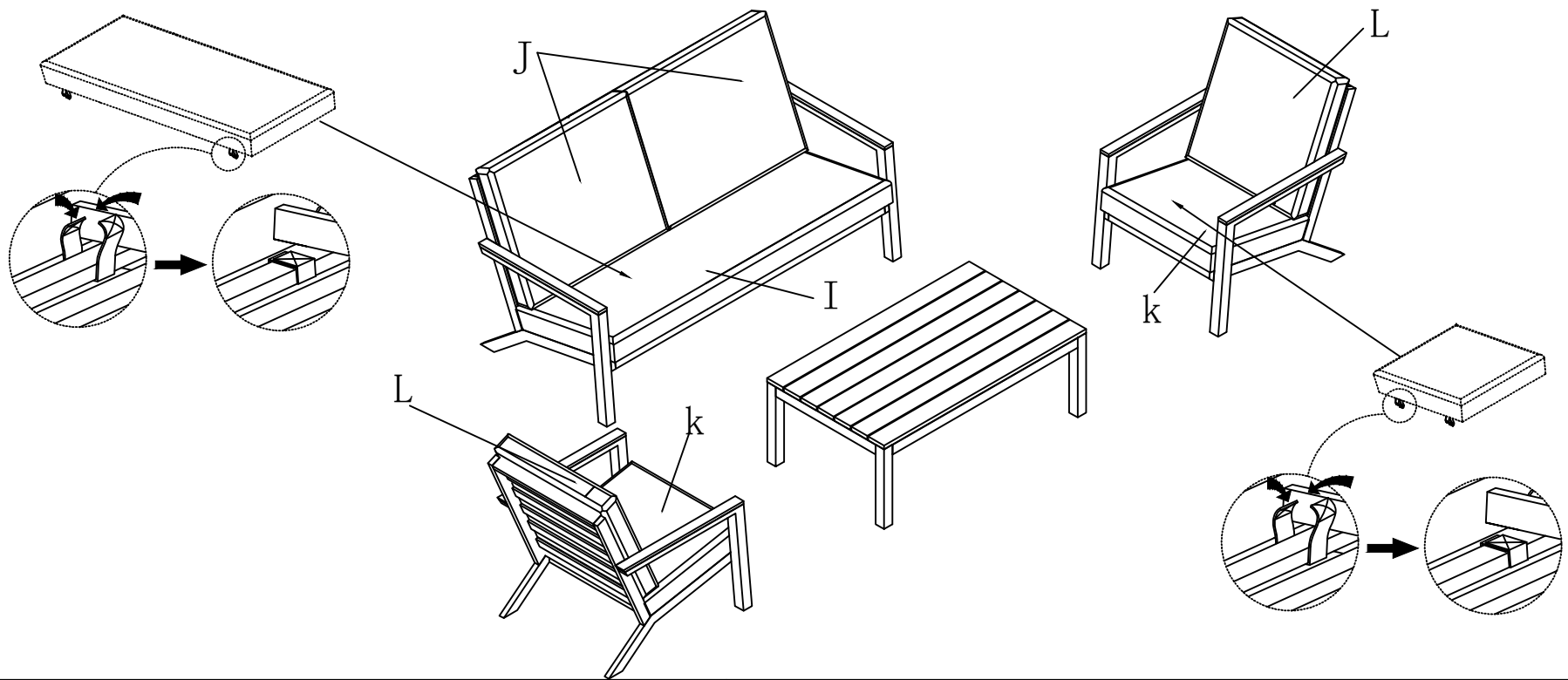
09



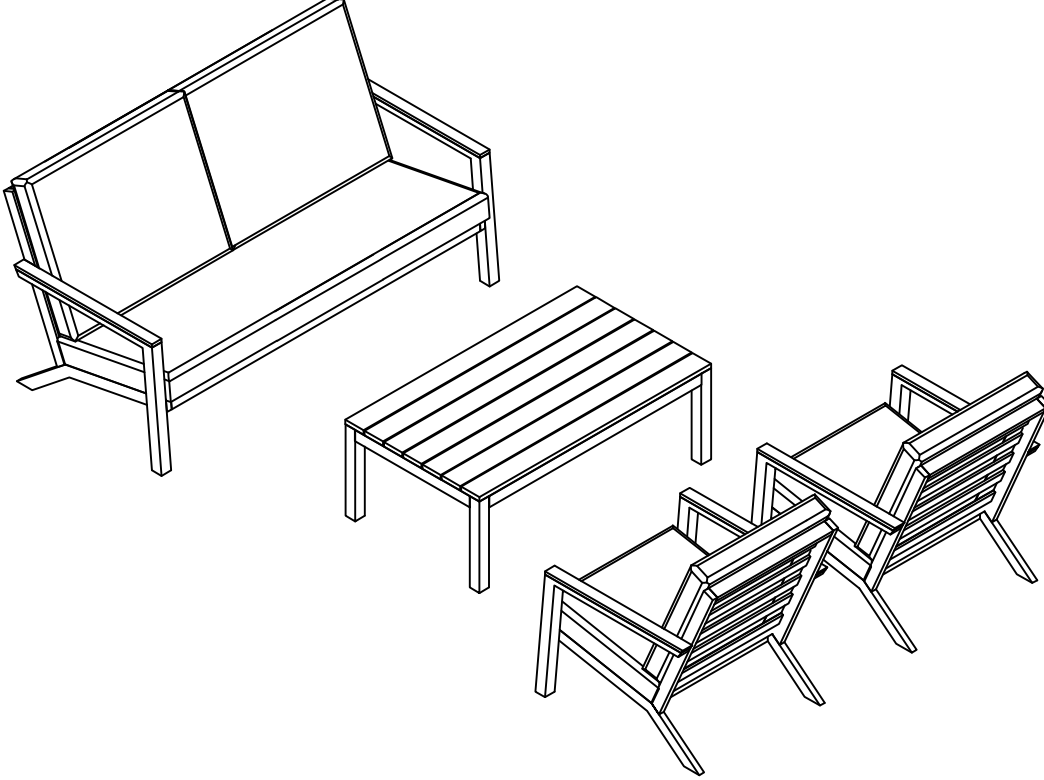
10



11



12



13

