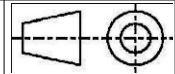


Ref	Designation	Material grade	Quantity	Weight	Size (diameter)	Supplier's ref
1	Holder	RecycleABS	1	190g	350*113*61.5mm	L1212-A-01A
2	Cover	RecycleABS	1	15g	349*6.2*19.8mm	L1212-A-02A
3	Glue	3M ADHESIVE	5	2.5g	100*25x1mm	
4	Screw	Carbon steel C1022 Nano White Zinc Pro-Coating	3	3.1g	ø4*52.8mm	
5						

  
 ADEO - 135, rue Sadi Carnot  
 CS 00001 - 59790 RONCHIN  
 FRANCE  
 MATERIAU/FINISHING:  
 RecycleABS/Matt

GENERAL TOLERANCES:  
 Size: ±2%  
 Weigth: ±5%



TITRE:  
**EASY TOWEL HOLDER**

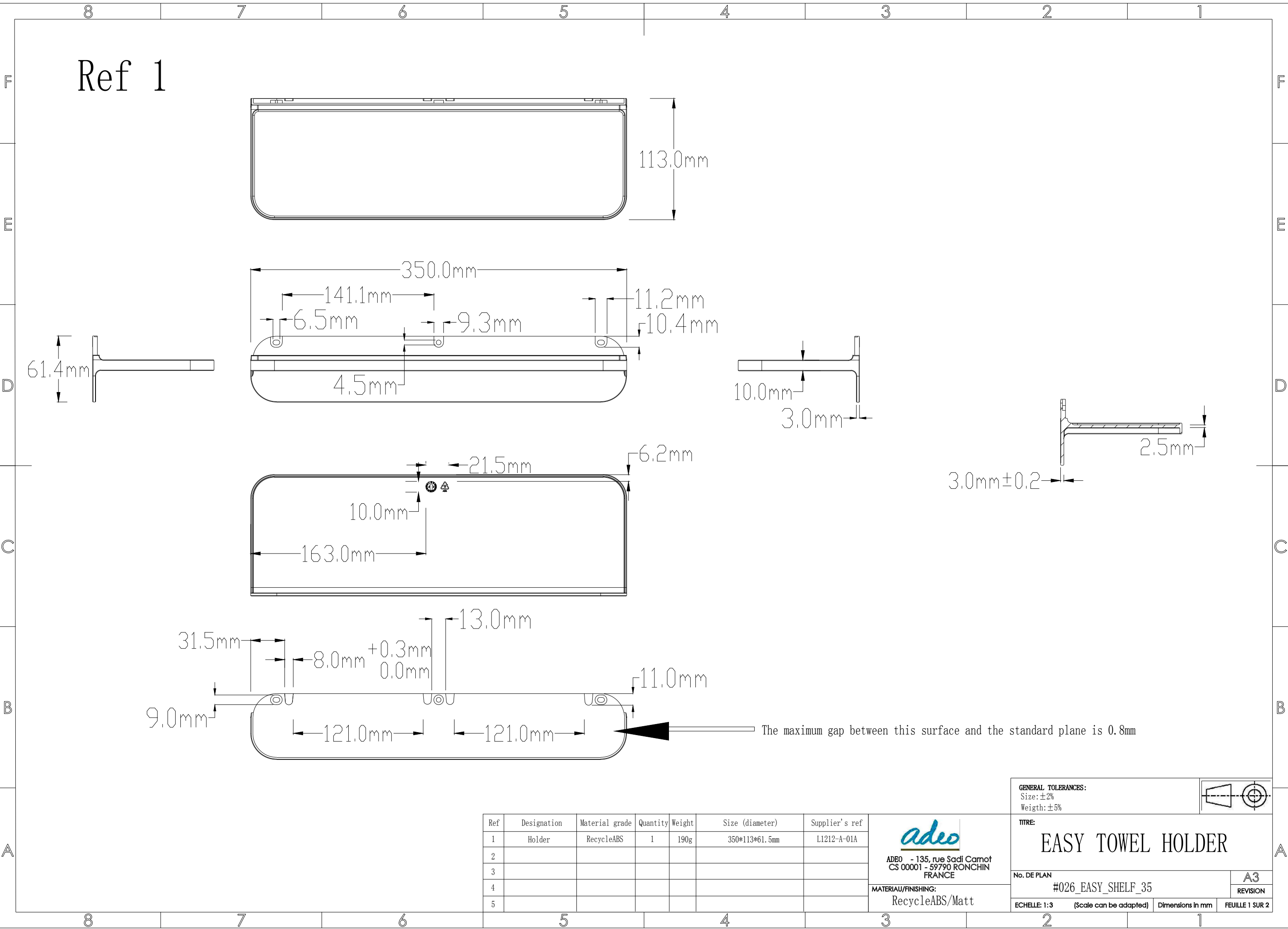
No. DE PLAN  
 #026\_EASY\_SHELF\_35

ECHELLE: 1:2 (Scale can be adapted) Dimensions in mm

FEUILLE 1 SUR 1

A3  
 REVISION

Ref 1



Ref	Designation	Material grade	Quantity	Weight	Size (diameter)	Supplier's ref
1	Holder	RecycleABS	1	190g	350*113*61.5mm	L1212-A-01A
2						
3						
4						
5						

**adeo**  
 ADEO - 135, rue Sadi Carnot  
 CS 00001 - 59790 RONCHIN  
 FRANCE  
 MATERIAU/FINISHING:  
 RecycleABS/Matt

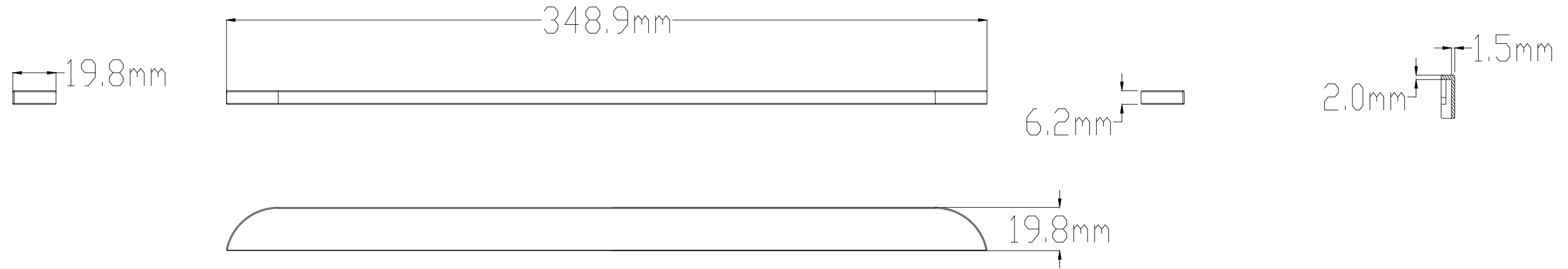
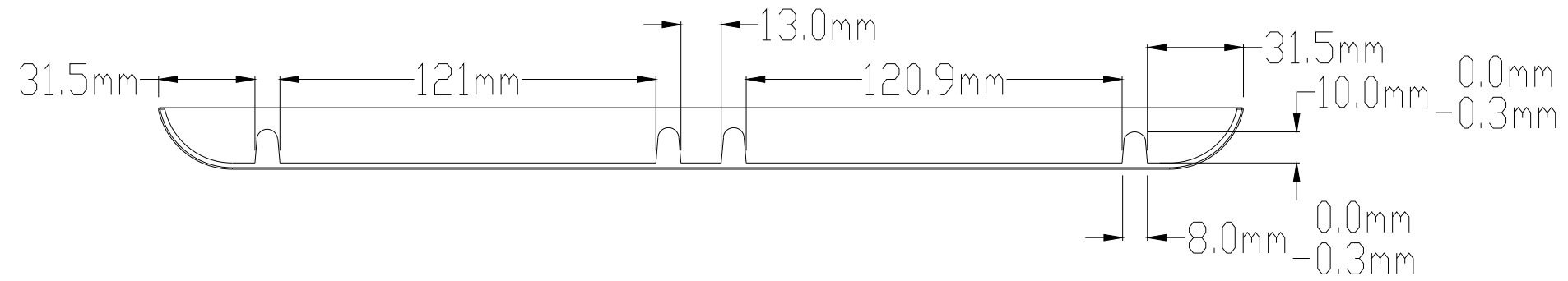
GENERAL TOLERANCES:  
 Size: ±2%  
 Weight: ±5%

TITRE:  
**EASY TOWEL HOLDER**

No. DE PLAN: #026\_EASY\_SHELF\_35  
 REVISION: A3

ECHELLE: 1:3 (Scale can be adapted) Dimensions in mm FEUILLE 1 SUR 2

Ref 2



Ref	Designation	Material grade	Quantity	Weight	Size (diameter)	Supplier's ref
1						
2	Cover	RecycleABS	1	15g	349*6.2*19.8mm	L1212-A-02A
3						
4						
5						

**adeo**  
 ADEO - 135, rue Sadi Carnot  
 CS 00001 - 59790 RONCHIN  
 FRANCE  
 MATERIAU/FINISHING:  
 RecycleABS/Matt

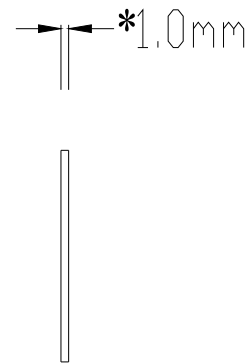
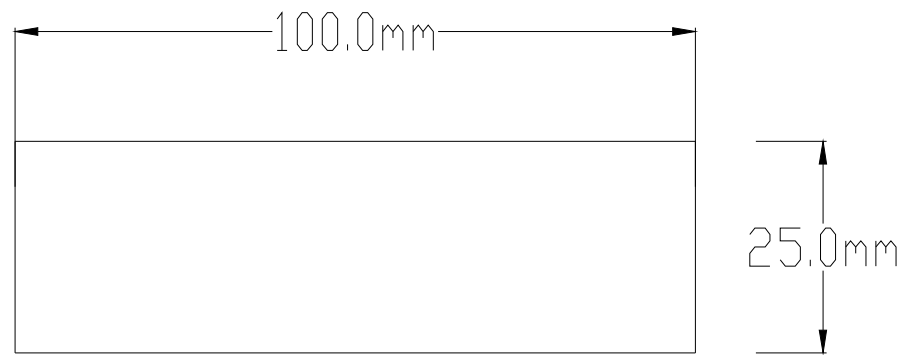
GENERAL TOLERANCES:  
 Size: ±2%  
 Weigth: ±5%

TITRE:  
**EASY TOWEL HOLDER**

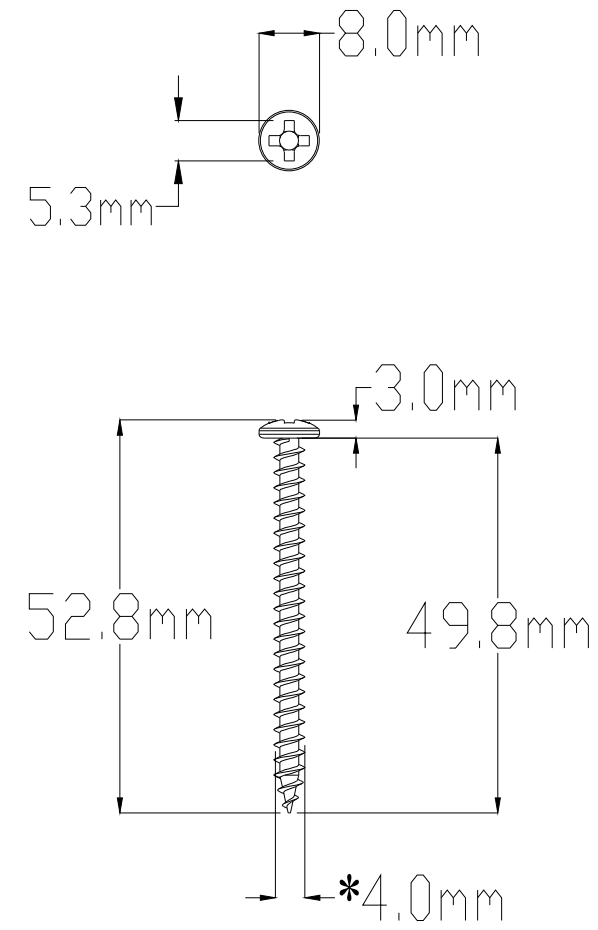
No. DE PLAN: #026\_EASY\_SHELF\_35  
 REVISION: A3

ECHELLE: 1:2 (Scale can be adapted) Dimensions in mm FEUILLE 1 SUR 3

Ref 3



Ref 4

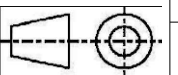


带“\*”是关键尺寸

Ref	Designation	Material grade	Quantity	Weight	Size (diameter)	Supplier's ref
1						
2						
3	3M ADHESIVE	3M ADHESIVE	5	2.5g	100*25x1mm	
4	Screw	Carbon steel C1022 Nimo White Zinc Pro-Coating	3	3.1g	ø4*52.8mm	
5						

**adeo**  
 ADEO - 135, rue Sadi Carnot  
 CS 00001 - 59790 RONCHIN  
 FRANCE  
 MATERIAU/FINISHING:  
 RecycleABS/Matt

GENERAL TOLERANCES:  
 Size: ±2%  
 Weigth: ±5%



TITRE:  
**EASY TOWEL HOLDER**

No. DE PLAN: #026\_EASY\_SHELF\_35  
 REVISION: A3

ECHELLE: 1:1 (Scale can be adapted) Dimensions in mm FEUILLE 1 SUR 4