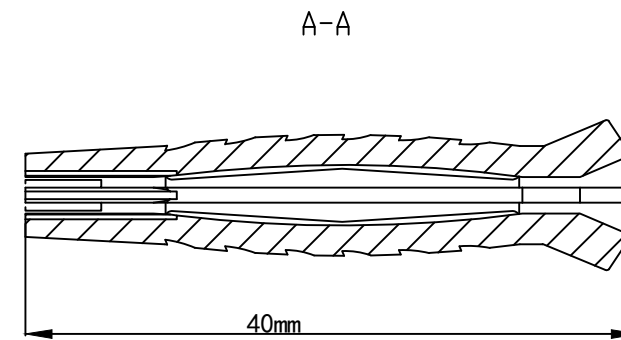
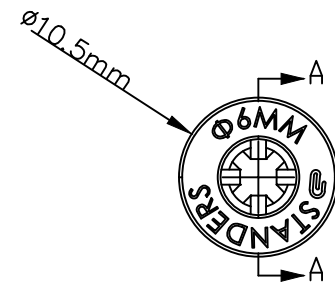
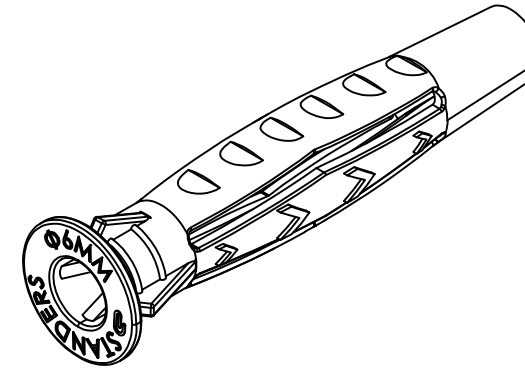
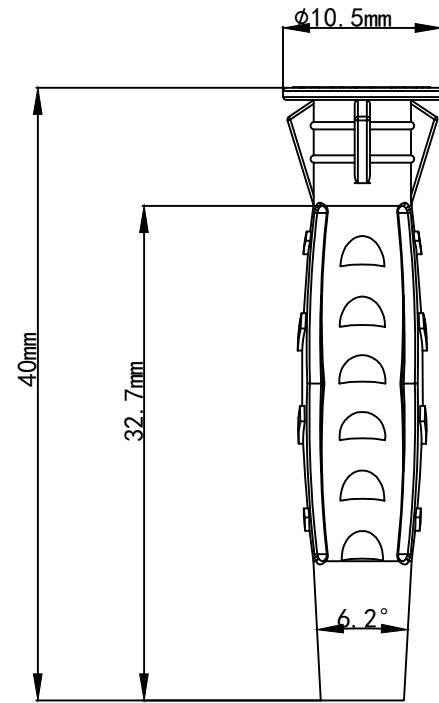


SST resistance to rust 192h

Ref	Designation	Material grade	Quantity	Weight	Size (diameter)	Supplier's ref
1	M20 Anchor	PA6	4	0.81	6*40mm	
2	Pan Head Pozi drive Chipboard screw	Carbon Steel	4	3.1	4*52mm	
3	Inner hexagon spanne S2.0	STEEL	1	1.4	S2.0*47mm	
4	Clip	ABS	4	0.5	22*9.5*6.5mm	LM1901-16-04
5	Frosted glass	GLASS	1	316	248*118*4mm	LM1901-16-05
6	Body	SS 304	1	248	257*129.7*55mm	LM1901-16-03
7	Screw	SS 304	2	1.6	M4*25mm	
8	Plate	SS 304	2	25.8	Ø51.2*6.5mm	LM1901-10-04

20230608/3rd Version/Kangju	GENERAL TOLERANCES: Size: ±2% Weigth: ±5%	
 ADEO - 135, rue Sadi Carnot CS 00001 - 59790 RONCHIN FRANCE	TITRE: ESSENTIAL SHELF 25cm	
MATERIAL/FINISHING: SS304&Frosted Glass /Polished	No. DE PLAN: #014_ESSENTIAL_SHELF 25	A3 REVISION
ECHELLE:1:2 (Scale can be adapted)	Dimensions in mm	FEUILLE 1 SUR 1

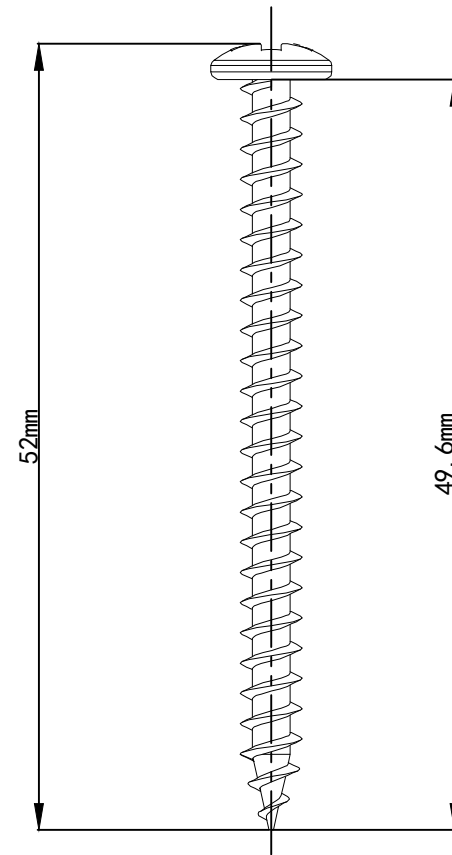
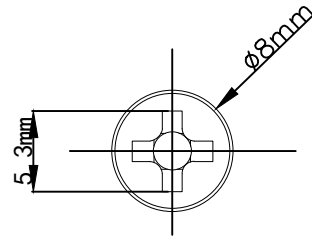
Ref 1



Ref	Designation	Material grade	Quantity	Weight	Size (diameter)	Supplier's ref
1	M20 Anchor	PA6	4	0.81	6*40mm	
2						
3						
4						
5						
6						
7						
8						

20230608/3rd Version/Kangju	GENERAL TOLERANCES: Size: ±2% Weigth: ±5%	
 ADEO - 135, rue Sadi Carnot CS 00001 - 59790 RONCHIN FRANCE	TITRE: ESSENTIAL SHELF 25cm	
MATERIAL/FINISHING: SS304&Frosted Glass /Polished	No. DE PLAN: #014_ESSENTIAL_SHELF 25	A3 REVISION
ECHELLE:2:1 (Scale can be adapted)	Dimensions in mm	FEUILLE 1 SUR 1

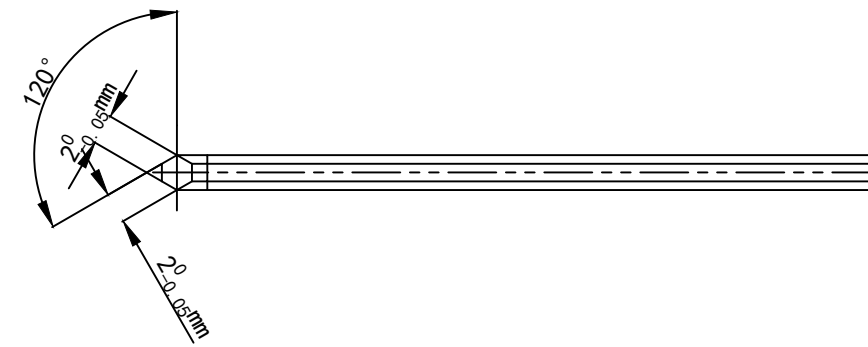
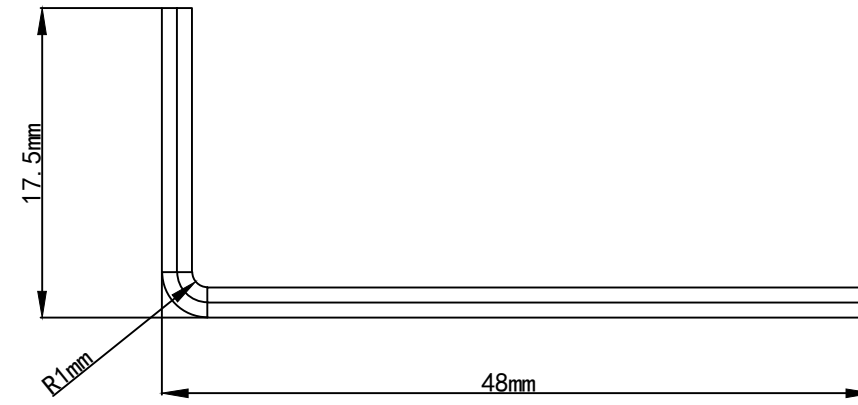
Ref 2



Ref	Designation	Material grade	Quantity	Weight	Size (diameter)	Supplier's ref
1						
2	Pan Head Pozi drive Chipboard screw	Carbon Steel	4	3.1	4*52mm	
3						
4						
5						
6						
7						
8						

20230608/3rd Version/Kangju	GENERAL TOLERANCES: Size: $\pm 2\%$ Weigth: $\pm 5\%$	
 ADEO - 135, rue Sadi Carnot CS 00001 - 59790 RONCHIN FRANCE	TITRE: ESSENTIAL SHELF 25cm	
MATERIAL/FINISHING: SS304&Frosted Glass /Polished	No. DE PLAN: #014_ESSENTIAL _SHELF 25	A3 REVISION
ECHELLE:2:1 (Scale can be adapted)	Dimensions in mm	FEUILLE 1 SUR 1

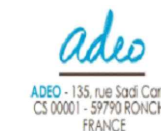
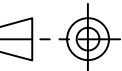
Ref 3



Ref	Designation	Material grade	Quantity	Weight	Size (diameter)	Supplier's ref
1						
2						
3	Inner hexagon spanne S2.0	STEEL	1	1.6	S2.0*48mm	
4						
5						
6						
7						
8						

20230608/3rd Version/Kangju

GENERAL TOLERANCES:
Size: ±2%
Weigth: ±5%



TITRE:

ESSENTIAL SHELF 25cm

MATERIAL/FINISHING:
SS304&Frosted
Glass /Polished

No. DE PLAN:

#014_ESSENTIAL _SHELF 25

A3

REVISION

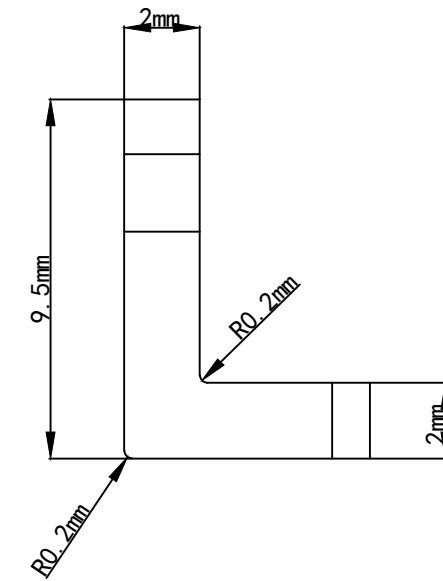
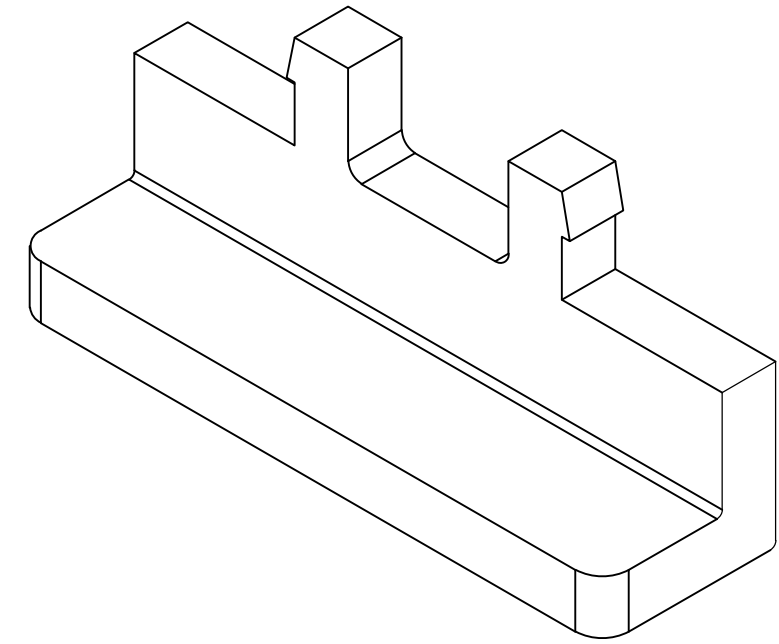
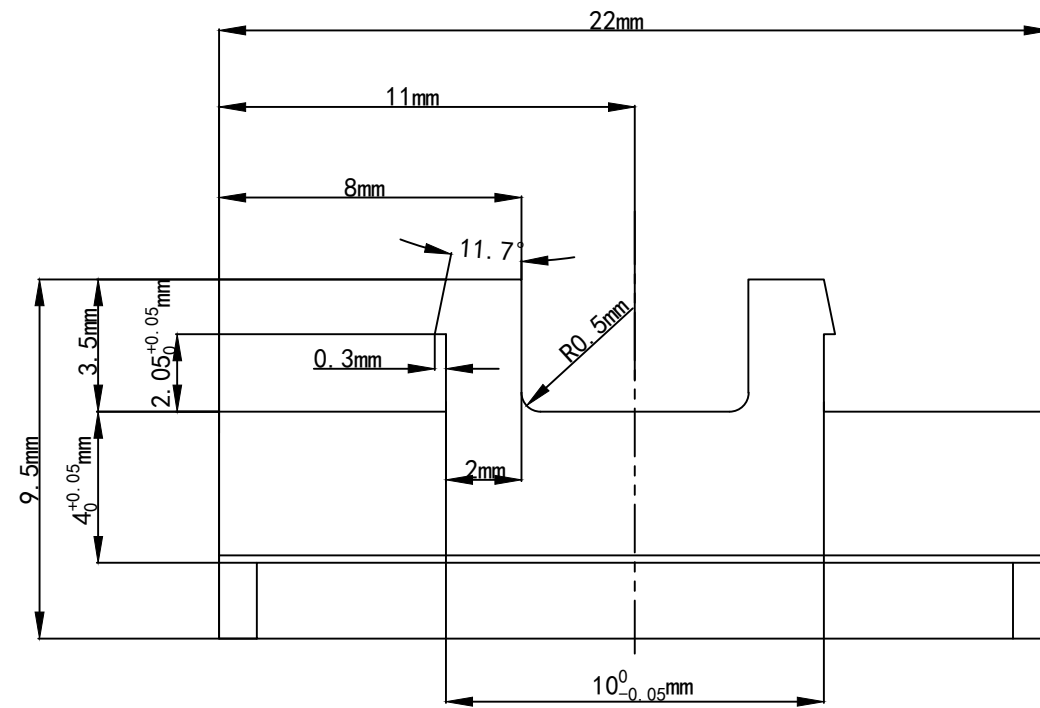
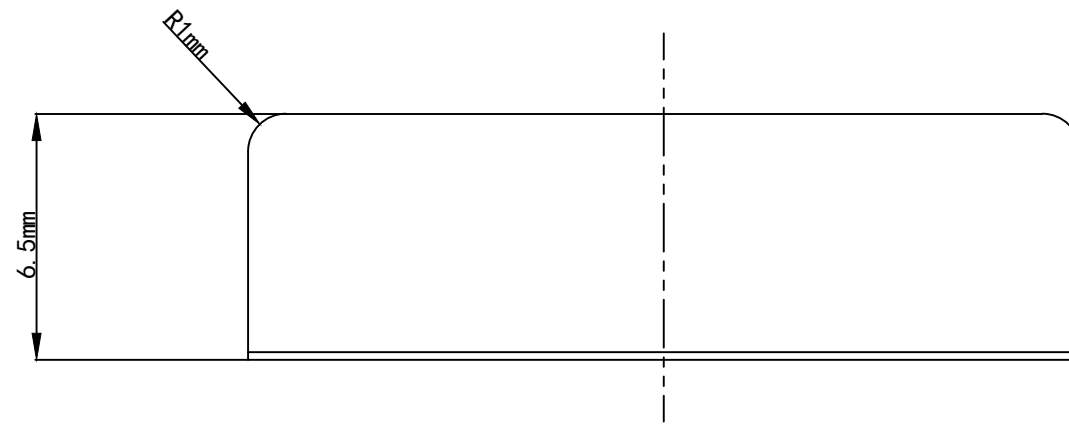
ECHELLE:2:1

(Scale can be adapted)

Dimensions in mm

FEUILLE 1 SUR 1

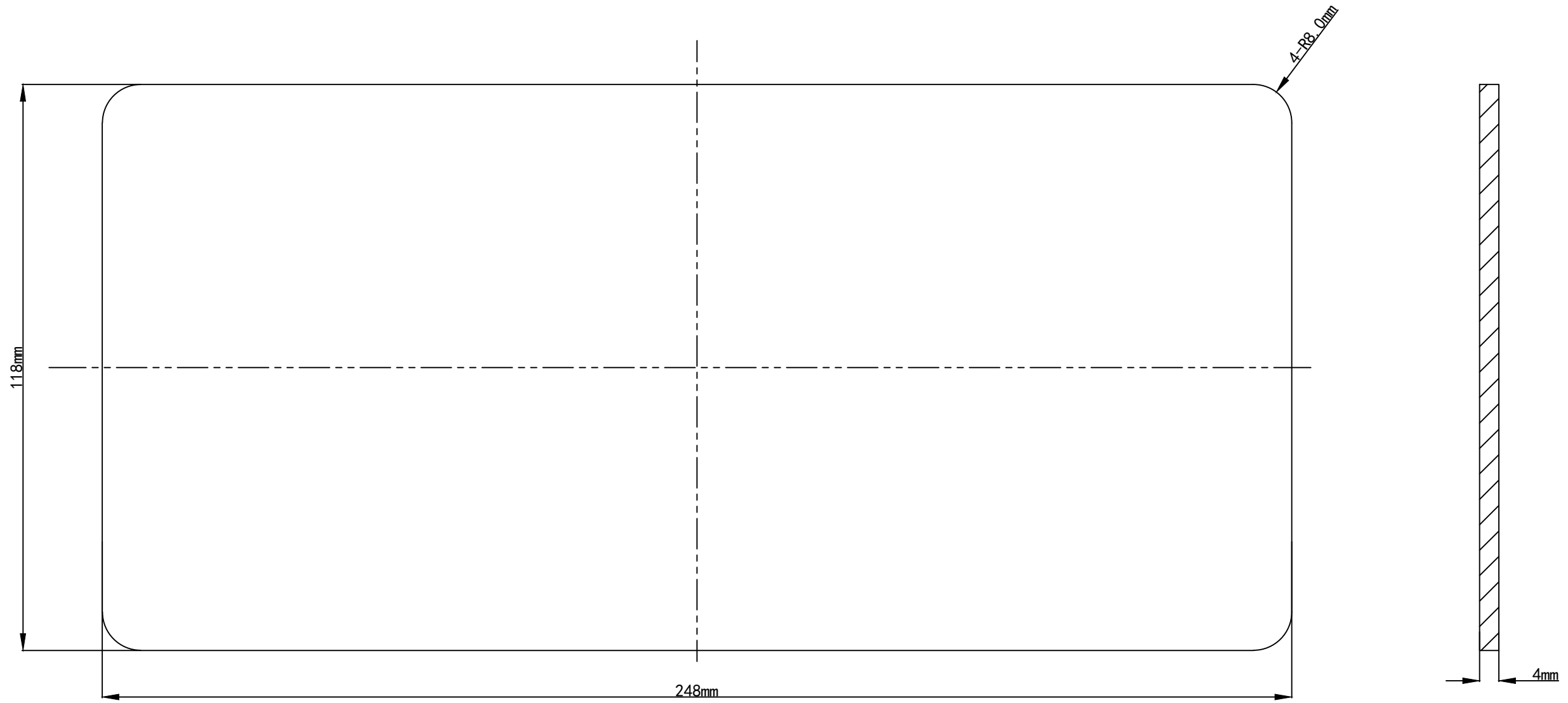
Ref 4



Ref	Designation	Material grade	Quantity	Weight	Size (diameter)	Supplier's ref
1						
2						
3						
4	Clip	ABS	4	0.5	22*9.5*6.5mm	LM1901-16-04
5						
6						
7						
8						

20230608/3rd Version/Kangju	GENERAL TOLERANCES: Size: ±2% Weigth: ±5%	
 ADEO - 135, rue Sadi Carnot CS 00001 - 59790 RONCHIN FRANCE	TITRE: ESSENTIAL SHELF 25cm	
MATERIAL/FINISHING: SS304&Frosted Glass /Polished	No. DE PLAN: #014_ESSENTIAL_SHELF 25	A3 REVISION
ECHELLE:5:1 (Scale can be adapted)	Dimensions in mm	FEUILLE 1 SUR 1

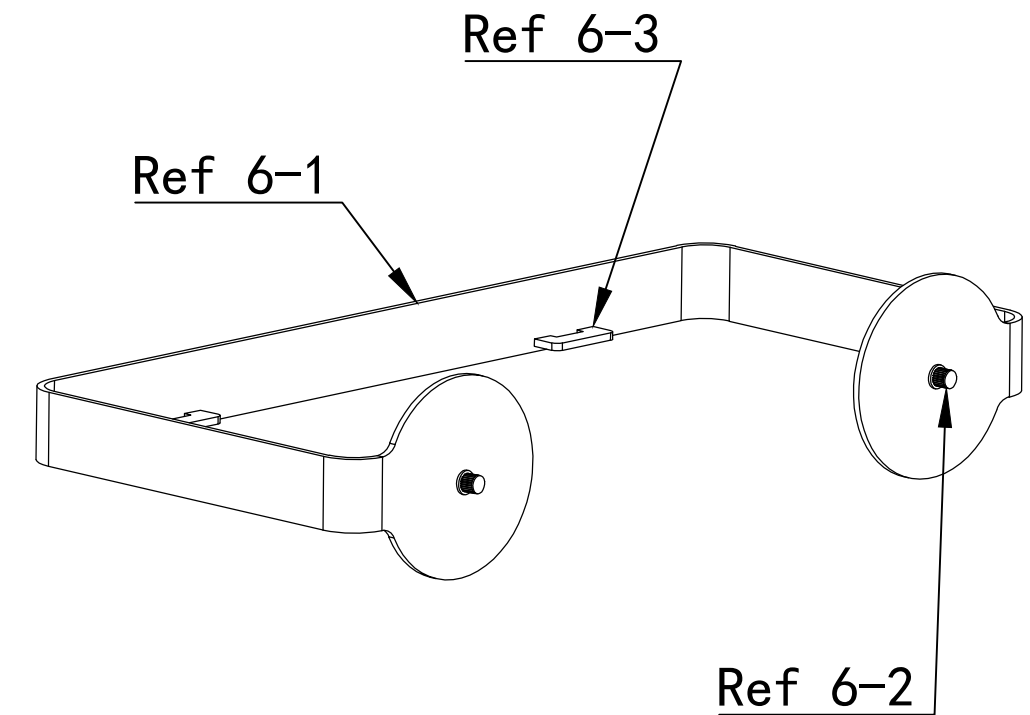
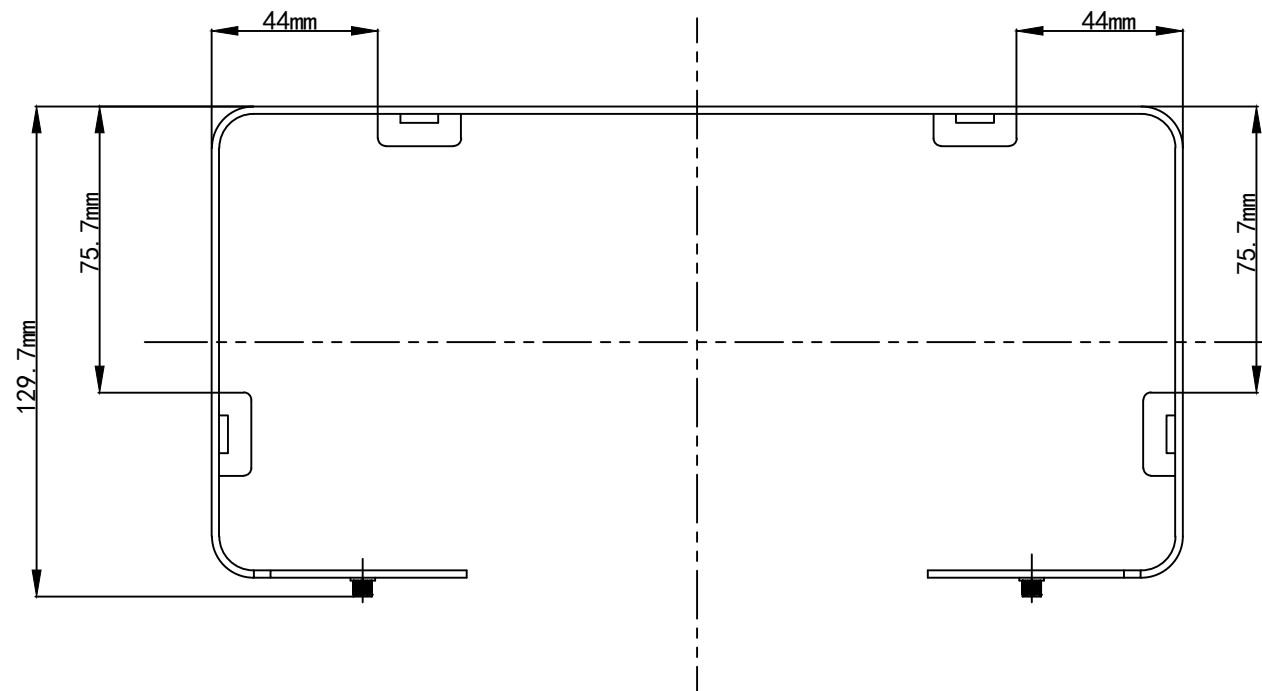
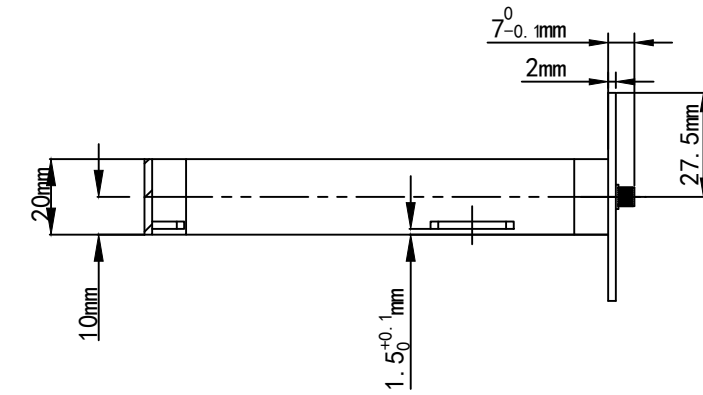
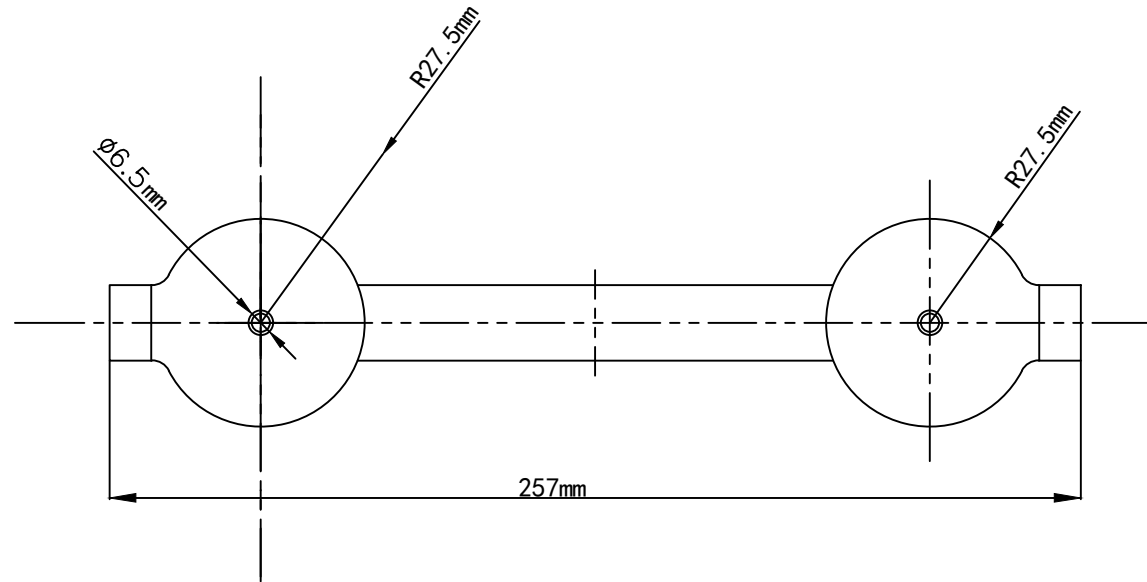
Ref 5



Ref	Designation	Material grade	Quantity	Weight	Size (diameter)	Supplier's ref
1						
2						
3						
4						
5	Frosted glass	GLASS	1	316	248*118*4mm	LM1901-16-05
6						
7						
8						

20230608/3rd Version/Kangju	GENERAL TOLERANCES: Size: ±2% Weigth: ±5%	
 ADEO - 135, rue Sadi Carnot CS 00001 - 59790 RONCHIN FRANCE	TITRE: ESSENTIAL SHELF 25cm	
MATERIAL/FINISHING: SS304&Frosted Glass /Polished	No. DE PLAN: #014_ESSENTIAL_SHELF 25	A3 REVISION
ECHELLE:1:1 (Scale can be adapted)	Dimensions in mm	FEUILLE 1 SUR 1

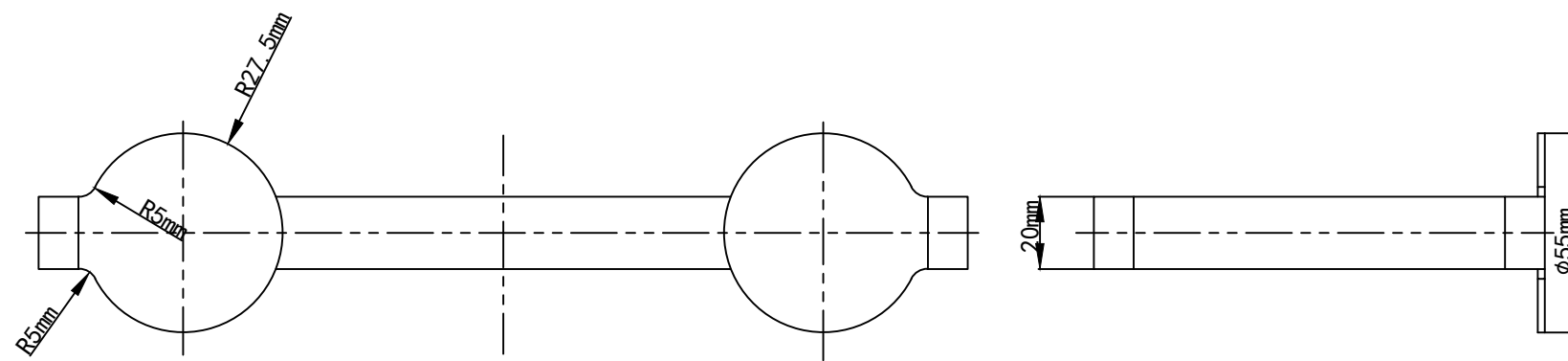
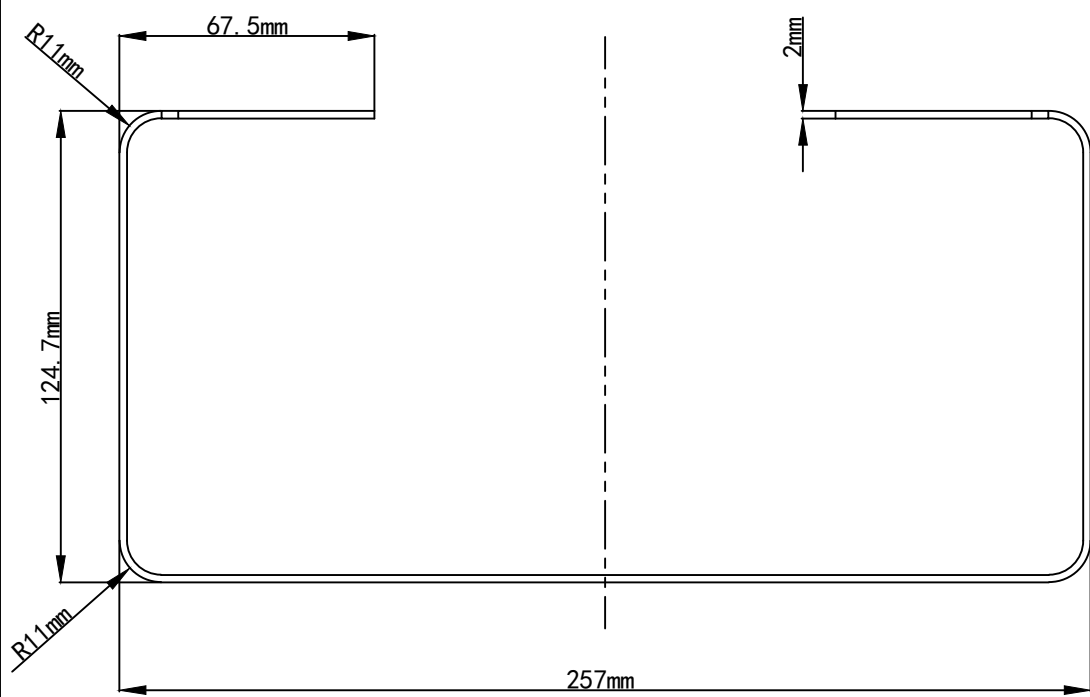
Ref 6



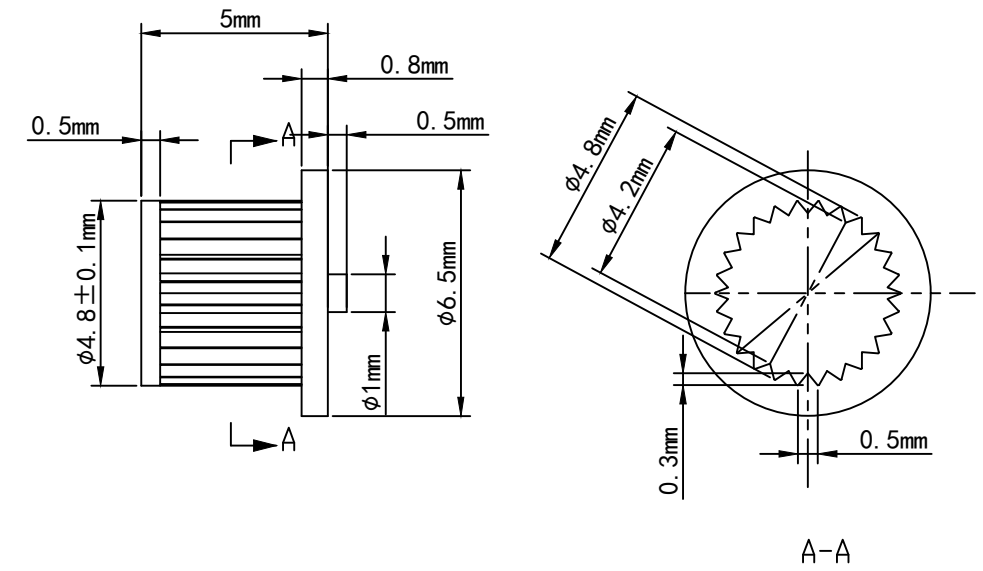
Ref	Designation	Material grade	Quantity	Weight	Size (diameter)	Supplier's ref
1						
2						
3						
4						
5						
6	Body	SS 304	1	248	257*129.7*55mm	LM1901-16-03
7						
8						

20230608/3rd Version/Kangju	GENERAL TOLERANCES: Size: ±2% Weigth: ±5%	
 ADEO - 135, rue Sadi Carnot CS 00001 - 59790 RONCHIN FRANCE	TITRE: ESSENTIAL SHELF 25cm	
MATERIAL/FINISHING: SS304&Frosted Glass /Polished	No. DE PLAN: #014_ESSENTIAL_SHELF 25	A3 REVISION
ECHELLE:1:2 (Scale can be adapted)	Dimensions in mm	FEUILLE 1 SUR 1

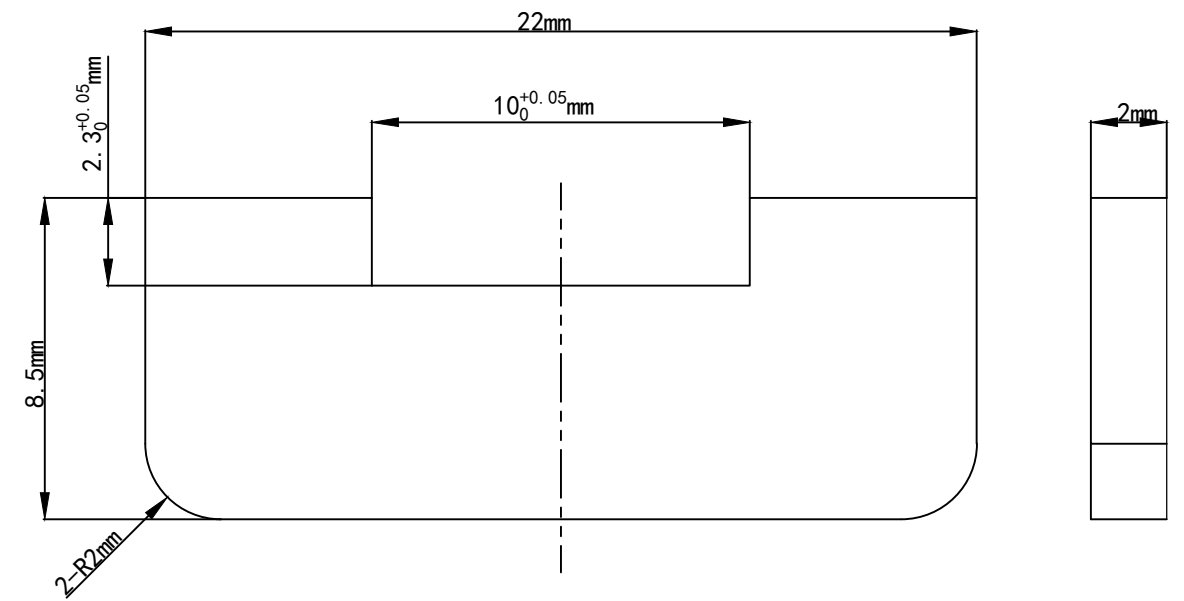
Ref 6-1
ECHELLE:1:2



Ref 6-2
ECHELLE 5:1



Ref 6-3
ECHELLE:5:1



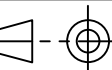
Ref	Designation	Material grade	Quantity	Weight	Size (diameter)	Supplier's ref
1						
2						
3						
4						
5						
6	Body	SS 304	1	248	257*129.7*55mm	LM1901-16-03
7						
8						

20230608/3rd Version/Kangju



MATERIAL/FINISHING:
SS304&Frosted
Glass /Polished

GENERAL TOLERANCES:
Size: ±2%
Weigth: ±5%



TITRE:

ESSENTIAL SHELF 25cm

No. DE PLAN:

#014_ESSENTIAL_SHELF 25

A3

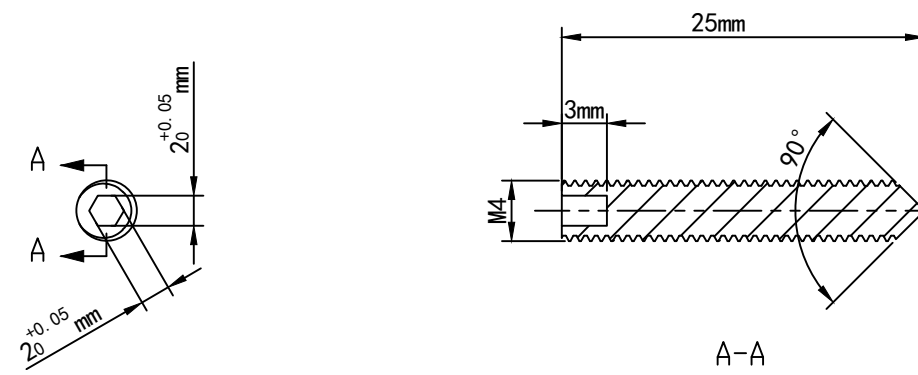
REVISION

ECHELLE:1:1 (Scale can be adapted)

Dimensions in mm

FEUILLE 1 SUR 1

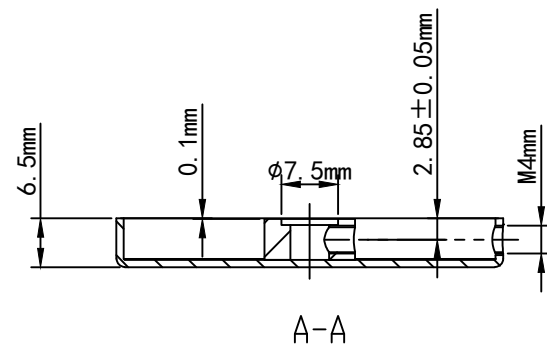
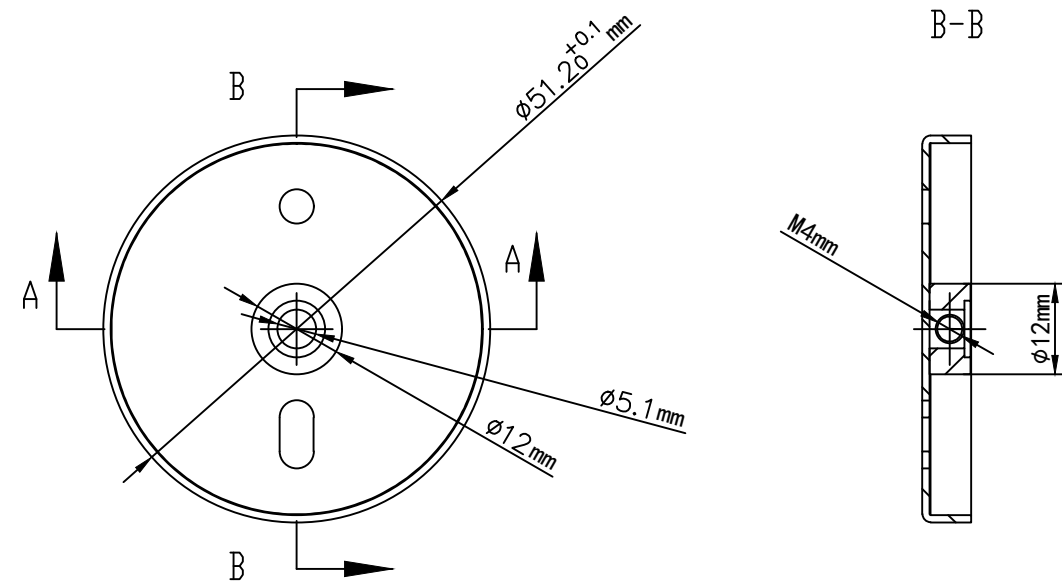
Ref 7



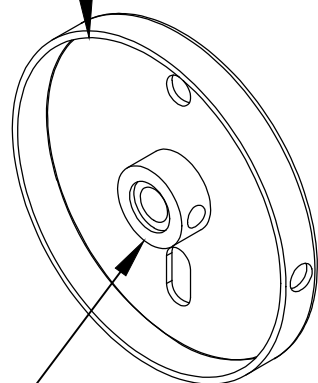
Ref	Designation	Material grade	Quantity	Weight	Size (diameter)	Supplier's ref
1						
2						
3						
4						
5						
6						
7	Screw	SS 304	2	1.6	M4*25mm	
8						

20230608/3rd Version/Kangju	GENERAL TOLERANCES: Size: ±2% Weigth: ±5%	
 ADEO - 135, rue Sadi Carnot CS 00001 - 59790 RONCHIN FRANCE	TITRE: ESSENTIAL SHELF 25cm	
MATERIAL/FINISHING: SS304&Frosted Glass /Polished	No. DE PLAN: #014_ESSENTIAL _SHELF 25	A3 REVISION
ECHELLE:10:1 (Scale can be adapted)	Dimensions in mm	FEUILLE 1 SUR 1

Ref 6

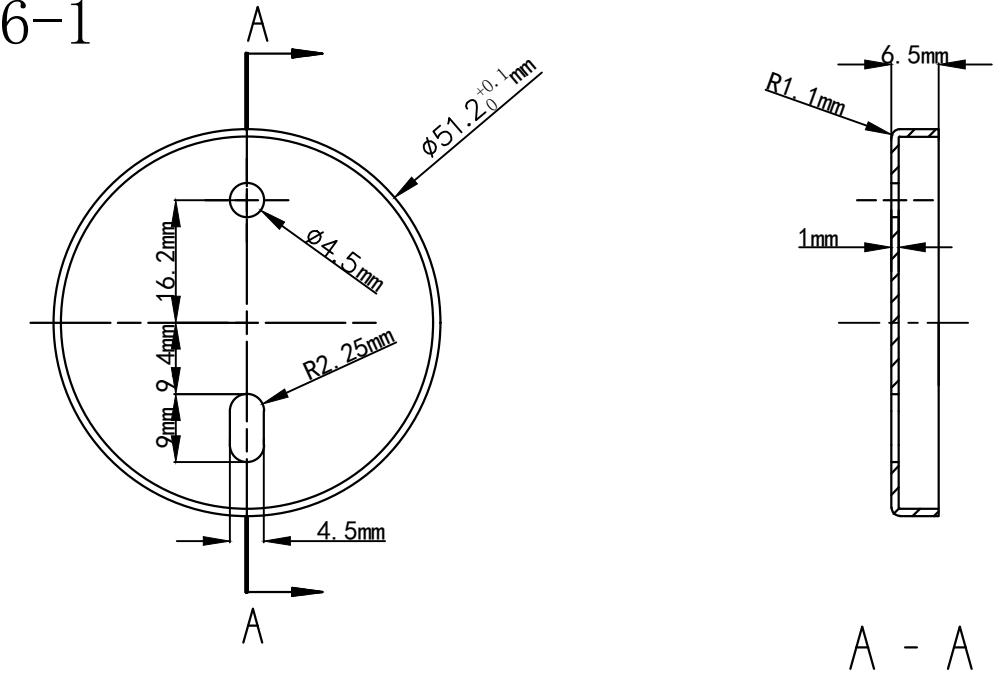


Ref 6-1

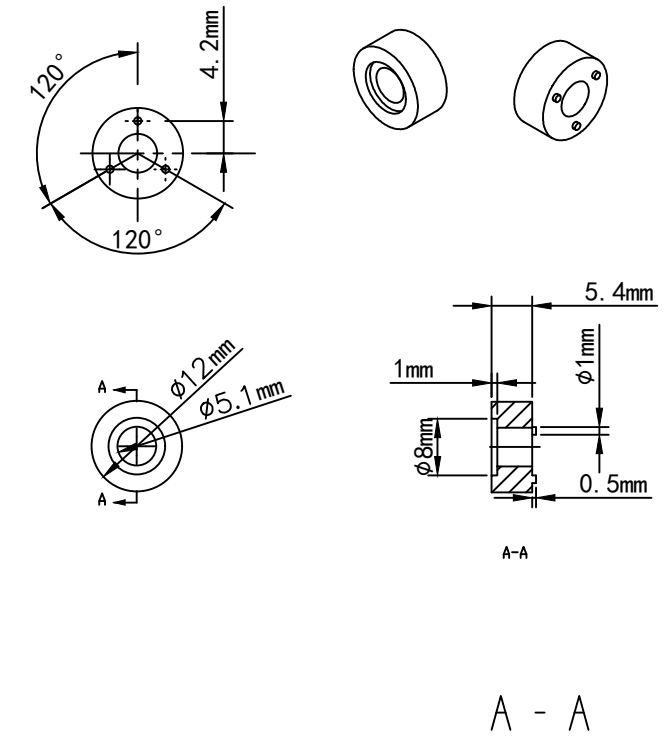


Ref 6-2

Ref 6-1



Ref 6-2



Ref	Designation	Material grade	Quantity	Weight	Size (diameter)	Supplier's ref
1						
2						
3						
4						
5						
6	Plate	SS 304	2	25.8	$\phi 51.2 * 6.5$ mm	LM1901-10-04
7						
8						

20230608/3rd Version/Kangju



MATERIAL/FINISHING:
SS304/Polished

GENERAL TOLERANCES:
Size: $\pm 2\%$
Weight: $\pm 5\%$

TITRE:

ESSENTIAL SHELF 25cm

No. DE PLAN:

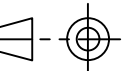
#014_ESSENTIAL_SHELF 25

ECHELLE: 1:1

(Scale can be adapted)

Dimensions in mm

FEUILLE 1 SUR 1



A3

REVISION