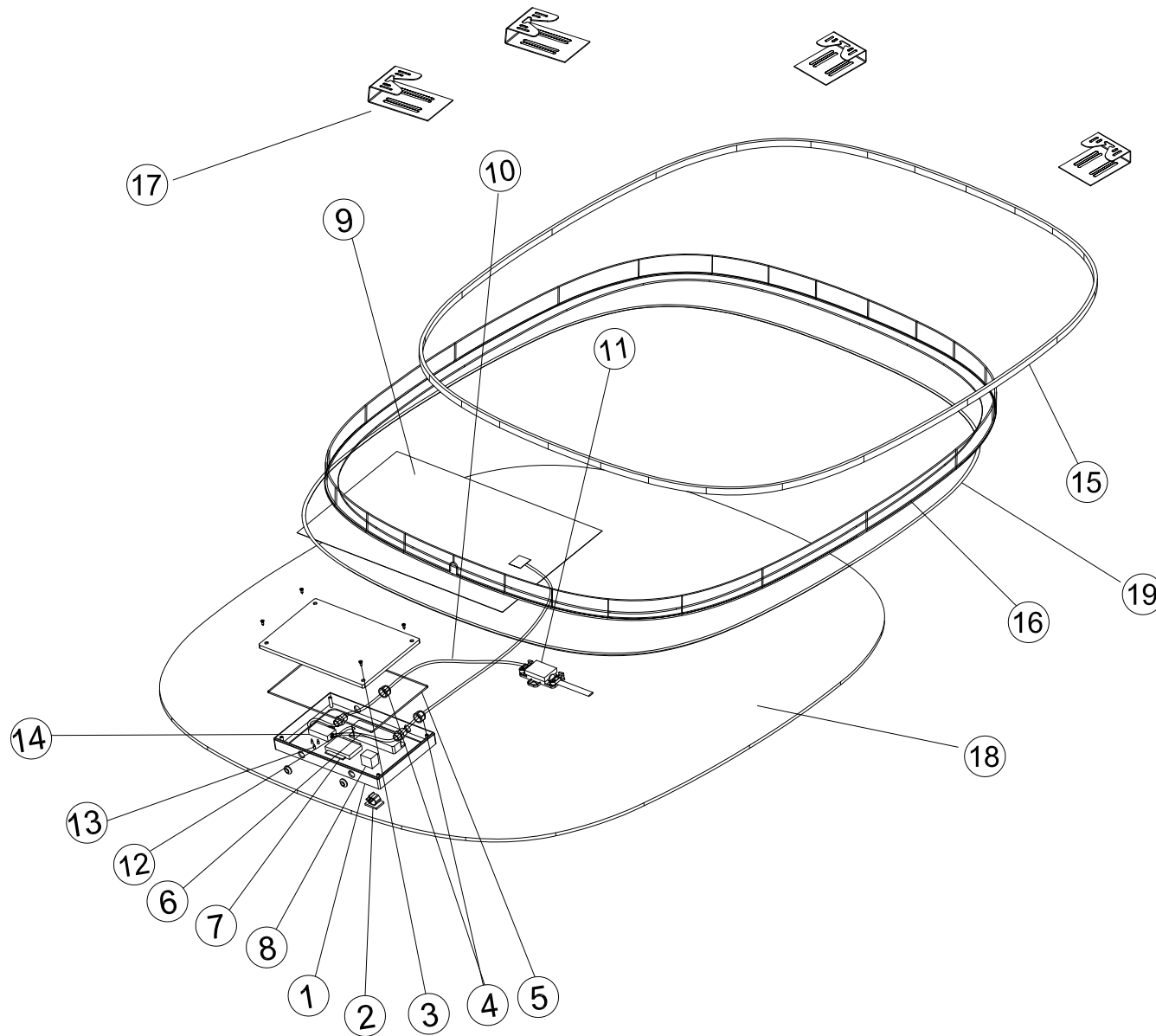


ITEM NO.	DESCRIPTION	QTY
①	waterproof box(plastics)	1
②	Wire clamp	2
③	Screws	4
④	Waterproof wire clamp	2
⑤	Waterproof silicon seal strip	1
⑥	Driver(15W)	1
⑦	Touch switch two buttons	1
⑧	Relay	1
⑨	Defogger(300*300)	1
⑩	Power cord	1
⑪	Terminal box(M654)	1
⑫	Internal connect wire	3
⑬	End connector	3
⑭	Terminal box(MK1282)	1
⑮	LED strip(L=2313mm,chips 148pcs)	1
⑯	Light strip support	1
⑰	Mounting bracket	4
⑱	Mirror	1
⑲	3M tapes fixing the Light strip support(2300*12*0.8)	1



Bathnology

Modern SQUARE 6580

Model

Drawing

Approve

Version

JLX Date 4-21-2023

Date

V2 CSR AE01

REVISIONS

REV	LOCATION	DESCRIPTION	BY	DATE

DIMENSIONS ARE IN MM
TOLERANCES:
ONE PLACE DECIMAL: ± 0.2
INTEGER: ± 1
ANGULAR: $\pm 2^\circ$

View

