

SEZ. A-A

Nr.	MODIFICATIONS	DATE	DRAWN BY	SCALE
				1:20
			MASS	1198.975 kg
			DATE	14/10/2022
			DRAWN BY	Daniele.Piccolo
			PREVIOUS No.	

PART NAME BAR. NEW YORK GREZZO		DESIGNER DP
TREATMENT	MATERIAL	
PALAZZETTI		PART No. 803005790

ACCORDING TO THE APPLICABLE LAW, PALAZZETTI LELIO SpA CONSIDERS THIS DOCUMENT A COMPANY SECRET AND THEREFORE THE TOTAL OR PARTIAL REPRODUCTION AND/OR DIFFUSION THEREOF TO THIRD PARTIES OR TO COMPETITORS, WITHOUT PRIOR WRITTEN AUTORIZ. OF THE PALAZZETTI LELIO SpA MANAGENT, IS STRICTLY FORBIDDEN.

THE OBJECTS MUST BE IN COMPLIANCE WITH THE SPECIFIC REGULATIONS AND MATERIALS IN CONTACT WITH FOOD AND ITS UPDATES AND AMENDMENTS.

YES NO

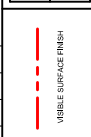
COMPONENTS IN COMPLIANCE WITH DIR. 2311/85/EEC (REHS RECAST) AND FURTHER UPDATES AND AMEND

CS2 - DIMENSIONS TO BE KEPT UNDER CONTROL DURING PRODUCTION.

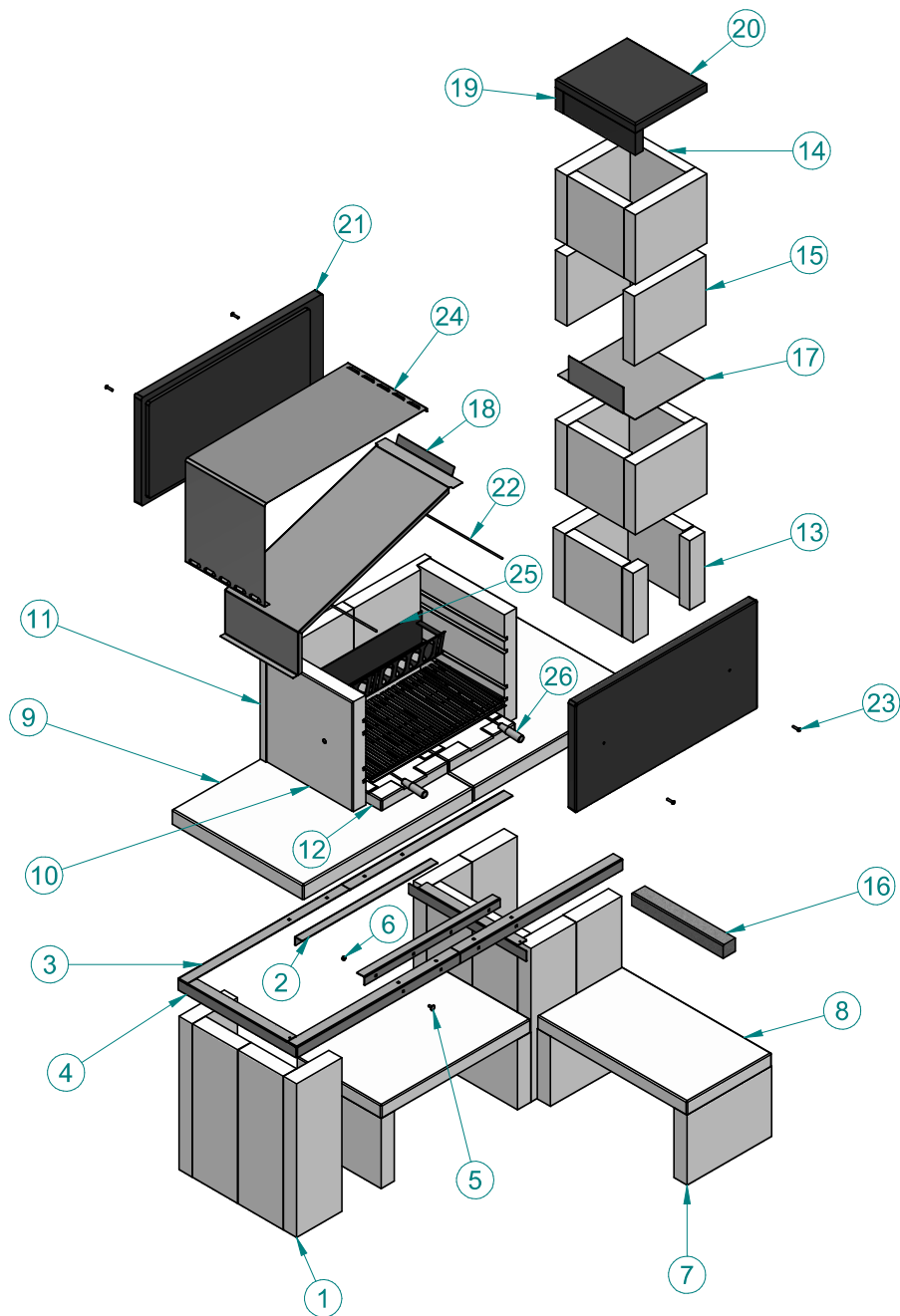
General tolerances for machining dimensions (mm)			
Up to 10	> 10 - 100	> 100 - 2000	> 2000
± 0,5	± 1	± 2	± 4

Machinery
Errore: Nessun riferimento

Mold Nf.
Errore: Nessun riferimento



Palazzetti Lelio S.p.A.
Via Rot. 1
33080 Zoppola (PN)
Tel. 0434 979696



AA	26	893620270	0	GRIGLIA INOX "430" CM 76 MANICI BACHELIT	1
Z	25	155520110	1	PORTALEGNA "ECO" CM.76	1
X	24	152120430	3	ELEMENTO CAPP A INOX NEW YORK	1
Y	23	002300574	0	TUBETTO 6MA X 31 BRONZATO	4
W	22	002300598	1	BARRA FILETTATA M6*460 NEW YORK	2
U	21	763030596	0	PARETE CAPP A NEW YORK NERO	2
T	20	763030616	1	SUPPORTO 38X43	1
S	19	763030606	0	SUPPORTO 38X10	2
R	18	160127313	1	PROTEZIONE CAPP A NEW YORK	1
Q	17	160127314	0	SUPPORTO CANNA FUMARIA NEW YORK	1
P	16	162032733	0	PARETE 48X6 BIANCA	1
O	15	760036360	0	PARETE 38X32	7
N	14	762032730	0	PARETE FOCOLARE 30X32	7
M	13	763030210	0	SUPPORTO COMIGNOLO 32X8	2
L	12	761037510	0	PARETE FOCOLARE 76 INTERNA	2
K	11	762033340	0	PARETE FONDO NEW YORK	2
J	10	762032840	0	PARETE 46X50 RETTANGOLARE GREZZO	2
I	9	161530087	0	PIANO NEUTRO 90X70 GRIGIO LEVIGATO	2
H	8	161530357	0	PIANO 80X45 GRIGIO LEVIGATO	2
G	7	760036040	0	BASAMENTO 45X32 GRIGIO	4
F	6	002300271_2	0	VITE M8X20 TTSQ ZN NERA CON DADO	8
E	5	002300271_1	0	VITE M8X20 TTSQ ZN NERA CON DADO	8
D	4	160127311	2	SUPPORTO PIANO NEW YORK LATERALE	2
C	3	160127310	1	SUPPORTO PIANO NEW YORK FRONTALE	4
B	2	160127312	1	SUPPORTO DI UNIONE PIANO NEW YORK	2
A	1	760036220	0	ALZATA 24X70 GRIGIO	10

THE OBJECTS MUST BE IN COMPLIANCE WITH THE APPLICABLE LAWS AND MATERIALS IN CONTACT WITH FOOD AND ITS UPDATES AND AMENDMENTS.

YES NO

COMPONENTS IN COMPLIANCE WITH DIR. 2011/85/EU (REGS RECAST) AND FURTHER UPDATES AND AMEND.

CS2 - DIMENSIONS TO BE KEPT UNDER CONTROL DURING PRODUCTION.

General tolerance for machining dimensions (mm)	
Up to 150	± 0.1
> 150 - 1000	± 0.15
> 1000 - 2000	± 0.2
> 2000	± 0.3

Machinery Error: Nessun riferimento
Mold Nr. Error: Nessun riferimento

Par	Part No.	Re	Part Name	Qua
-----	----------	----	-----------	-----

Nr.	MODIFICATIONS	DATE	DRAWN BY	SCALE
				1:20
			MASS 1198.975 kg	
			DATE 14/10/2022	
			DRAWN BY Daniele.Piccolo	
			PREVIOUS No.	

PART NAME BAR. NEW YORK GREZZO		DESIGNER DP
TREATMENT	MATERIAL	
PALAZZETTI		PART No. 803005790

ACCORDING TO THE APPLICABLE LAW, PALAZZETTI LELIO SpA CONSIDERS THIS DOCUMENT A COMPANY SECRET AND THEREFORE THE TOTAL OR PARTIAL REPRODUCTION AND/OR DIFFUSION THEREOF TO THIRD PARTIES OR TO COMPETITORS, WITHOUT PRIOR WRITTEN AUTORIZ. OF THE PALAZZETTI LELIO SpA MANAGENT, IS STRICTLY FORBIDDEN.



Palazzetti Lelio S.p.A.
Via Rot. 1
33080 Zoppola (PN)
Tel. 0434 979696