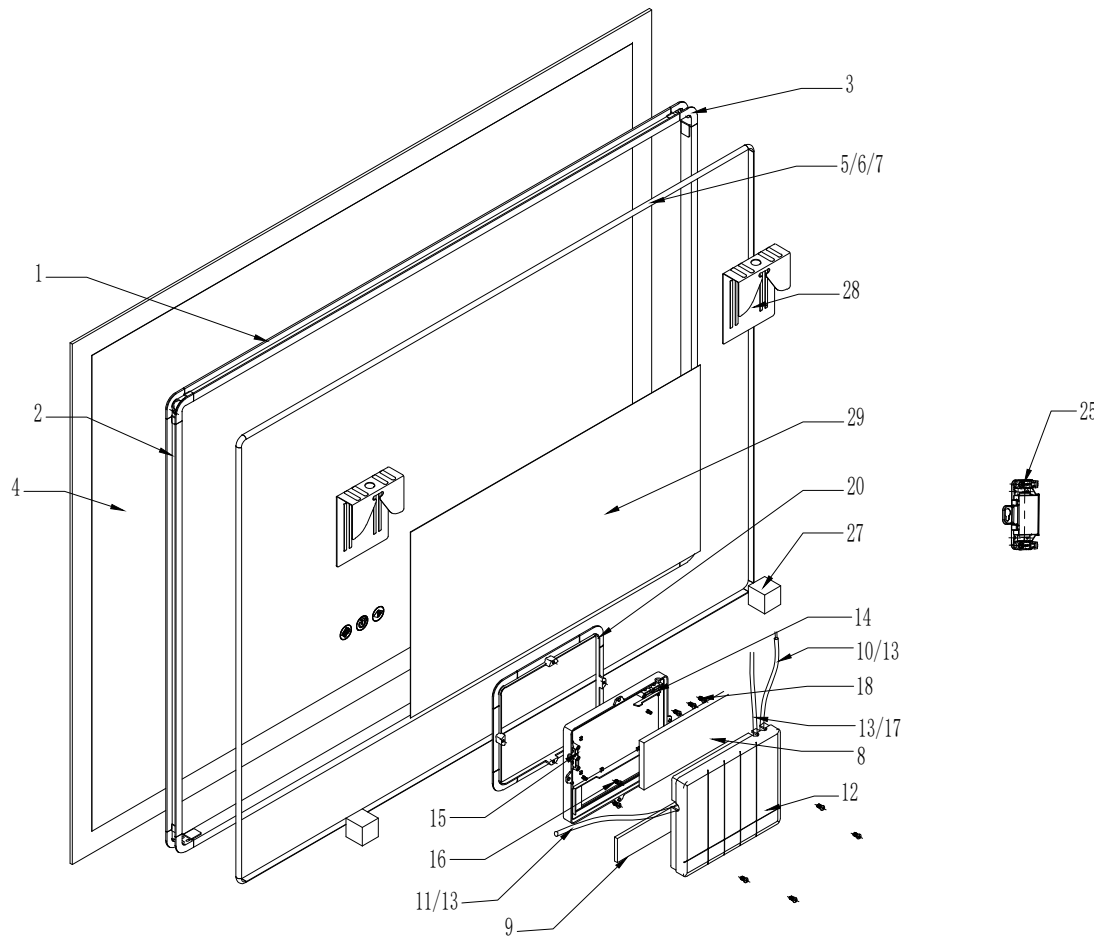


2024R07P04-0059

NEO LINE LED LIGHTING MIRROR SENSEA RECT 90x70CM



29	Anti-fog film 250*450	2220-240Vac/50HZ/2*0.75mm2*200mm/ 250*450mm/4.5MM/IP44/CE	Pcs	1
28	Hanging bracket 25mm	98*80*25mm	Pcs	2
27	EVA foam cotton pad	25*25*25mm	Pcs	2
25	Terminal box	76*41*15mm, IP44 VK-JB+T085M03S(T)	Pcs	1
20	Driver box support	148.2*171.1*10.2mm	Pcs	1
18	M3 tapping screws	M3*16	Pcs	3
17	VDE wire(Waterproof female end)	2*0.75mm2*200mm/white/IP44	Pcs	1
16	M3 tapping screws	M3*10	Pcs	2
15	tension disc	22.5*7.8*3.5mm, PP	Pcs	1
14	Three-hole press buckle	35*7*5mm PP	Pcs	1
13	waterproof plug	φ10*11mm	Pcs	3
12	Driver box	162.7*139.8*24.5mm, UL94-V0	Pcs	1
11	Wire(Waterproof male end)	UL2468/3P/22AWG/length 150mm/A2009HF-3P	Pcs	2
10	VDE wire	2*0.75mm2*500mm, white	Pcs	1
9	Touch panel BCD	BCD/115*34mm*1.2mm	Pcs	1
8	Driver 25W(220V)	AC-DC dirver/200-265VAC/12Vdc/25W>85%/PF>0.5/CE/with 5-pin socket/dimming,anti-fog film	Pcs	1
7	φ6 heat shrink sleeve	φ6*200m RSFR-H 125°C VW-1	Pcs	0.001
6	Wire (Waterproof female end)	UL2468/3p/22AWG/length 150mm/A2009HF-3P	Pcs	2
5	LED 2865mm	SMD 2835 344/bicolor/DC12V/≥175LM/W/class D/RA>80/8mm/2865mm/3000K/6500k	Pcs	1
4	Mirror	900*700*4mm	Pcs	1
3	Plastic	41.5*41.5*16mm, ABS	Pcs	4
2	heat sink strip	560*10*16mm, Plastic material 69	Pcs	2
1	heat sink strip	760*10*16mm, Plastic material 69	Pcs	2
Item	Description	Material/Size	Unit	Conso

Version NO.:V1.2

Date:11/05/2023