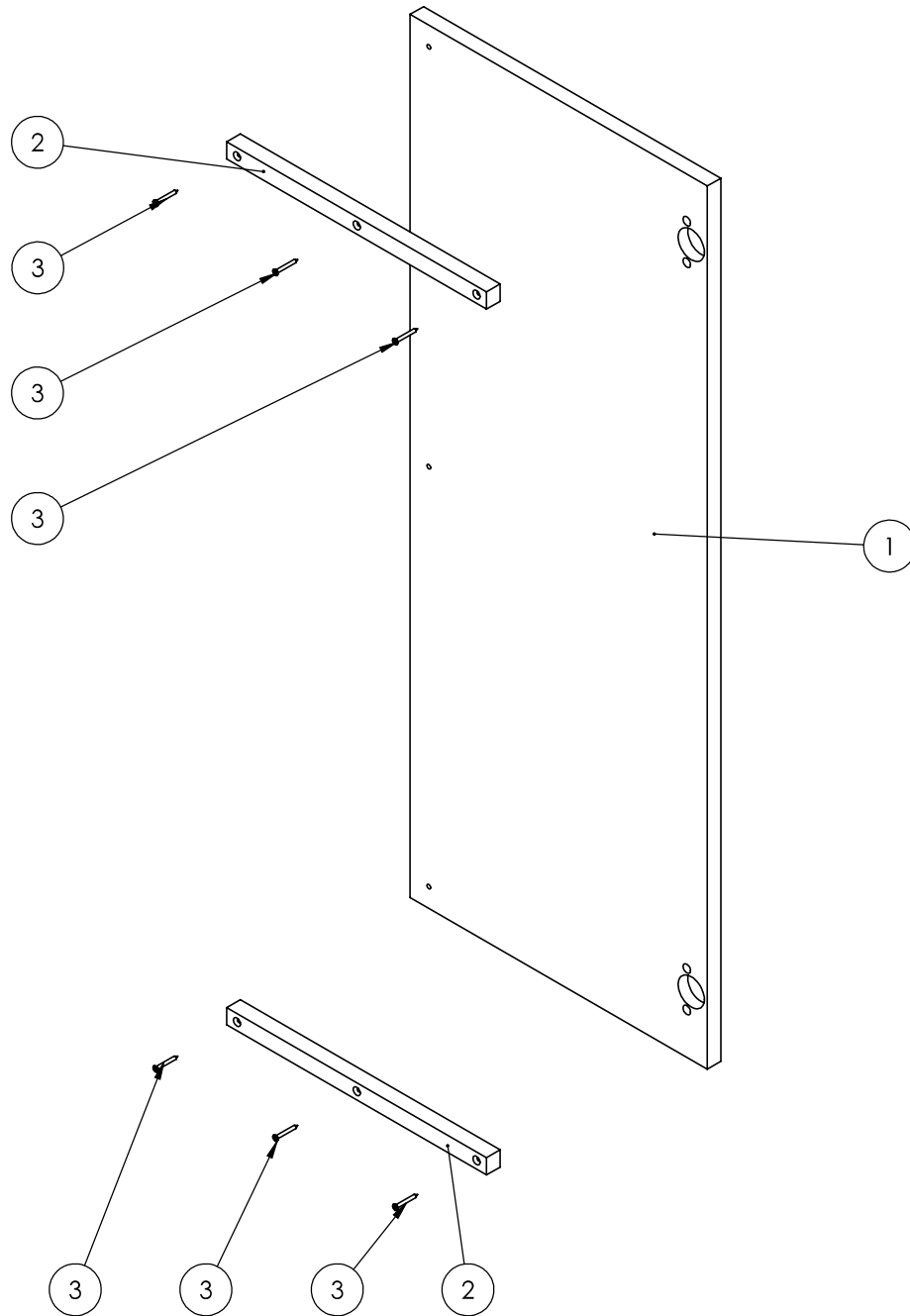


0003-H102.4-L40



REP	PART REFERENCE	REV	DESCRIPTION	Configuration Name	QTY
1	23R14P08-DOORS-1	C	DOORS - PARAMETRIC	23R14P08-DOORS-1-W400-H1024	1
2	23R14P08H-DOORS-0001	B	reinforcing crossbar	Défaut	2
3	HARDWARE-0003-0002-3530	D	WOOD SCREW COUNTERSUNK	3,5 x 30	6

MATERIAL:	DO NOT SCALE DRAWING		SHEET 3 OF 4
SURFACE:	TITLE: 23R14P08H-0003-0001 C		
TOLERANCE: SEE TECHNICAL SPECIFICATIONS	DESCRIPTION:		
WEIGHT: g	SCALE: 1:5 UNIT: mm FORMAT: A3		
AUTOR: A.Przadka	CHECKER: C.DORMEGNIE	STATUS: APPROVED	
DATE: 14/09/2023	This drawing is the exclusive property of ADEO . Any reproduction in part or whole without the written permission of ADEO is prohibited.		

