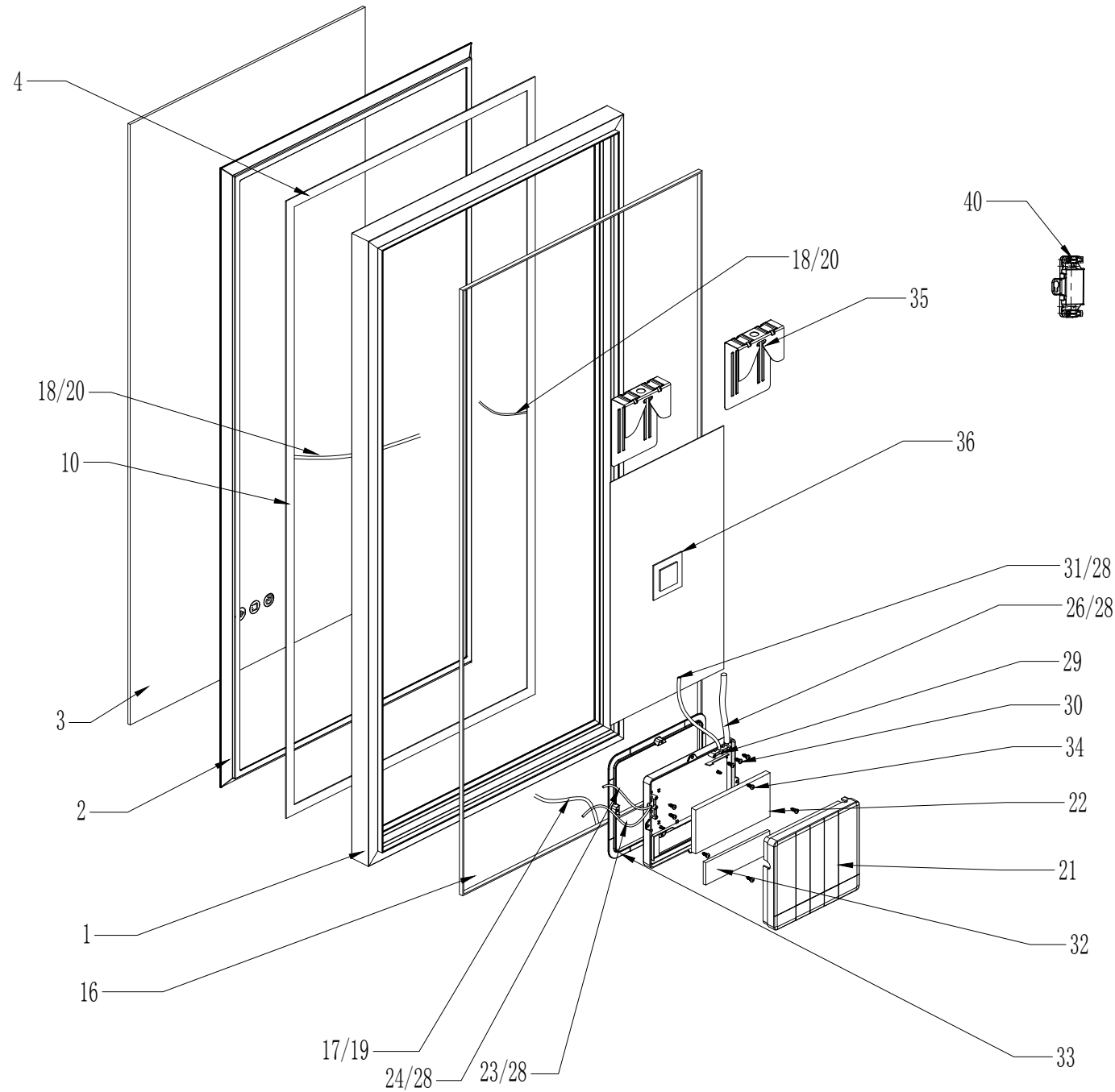


2024R07P04-0083

NEO FRAME LED LIGHTING MIRROR SENSEA RECT 45X90CM BLACK



40	Terminal box	76*41*15mm. IP44 VK-JB+T085M03S(T)	Pcs	1
36	Anti-fog film	220-240Vac/2*0.75mm2*400mm/200*350mm/IP44/CE	Pcs	1
35	Hanging bracket	98*80*25mm	Pcs	2
34	M3 tapping screws	M3*10	Pcs	4
33	Driver box support	148.2*171.1*10.2mm	Pcs	1
32	Touch panel ABCD	ABCD/115*34mm1.2mm	Pcs	1
31	VDE Wire (Waterproof female end)	2*0.75mm2*200mm/White/IP44/CE	Pcs	1
30	M3 tapping screws	M3*16	Pcs	6
29	Three-hole press buckle	35*7*5mm	Pcs	2
28	waterproof plug	φ10*11mm	Pcs	4
26	VDE wire	2*0.75mm2*500mm/white	Pcs	1
24	Wire(Waterproof male end)	UL2468/3p/22AWG/length 150mm/one end tin 5mm/one end A2009HF-3P	Pcs	1
23	Wire(Waterproof male end)	UL2468/3P/22AWG/length 150mm/A2009HF-3P	Pcs	2
22	Driver 42W(220V)	AC-DC dirver/200-265VAC/12Vdc/42W>85%/PF>0.75/CE/with 5-pin socket/dimming,anti-fog film	Pcs	1
21	Driver box	162.7*139.8*24.5mm	Pcs	1
20	waterproof plug	φ9.5*7mm	Pcs	2
19	φ6 heat shrink sleeve	φ6*200m RSFR-H 125°C VW-1	Pcs	0.00025
18	Wire (Waterproof female end)	UL2468/3p/22AWG/length 300mm/A2009HF-3P	Pcs	2
17	Wire (Waterproof female end)	UL2468/3p/22AWG/length 150mm/A2009HF-3P	Pcs	1
16	Ambient light strip	bicolor/DC12V/2835/3V60MA/RA>80/8mm /2650mm/3000K/6500k/>135Lm/W	Pcs	1
10	PCB	Aluminum substrate 874*13.5*1.2mm/White oil black/tin spray/thermal conductivity≥1.0/Copper foil should be resistant to 245 degrees of high temperature does not fall off	Pcs	2
4	PCB	Aluminum substrate 424*13.5*1.2mm/White oil black/tin spray/thermal conductivity≥1.0/Copper foil should be resistant to 245 degrees of high temperature does not fall off	Pcs	2
3	Mirror	414.5*864.5*4mm	Pcs	1
2	Light Diffuser	442*892*15.5mm,PMMA,425	Pcs	1
1	Aluminum frame	450*900*38mm. aluminum, Black	Pcs	1
Item	Description	Material/Size	Unit	Conso

Version NO. :V1.0

Date:12/05/2023