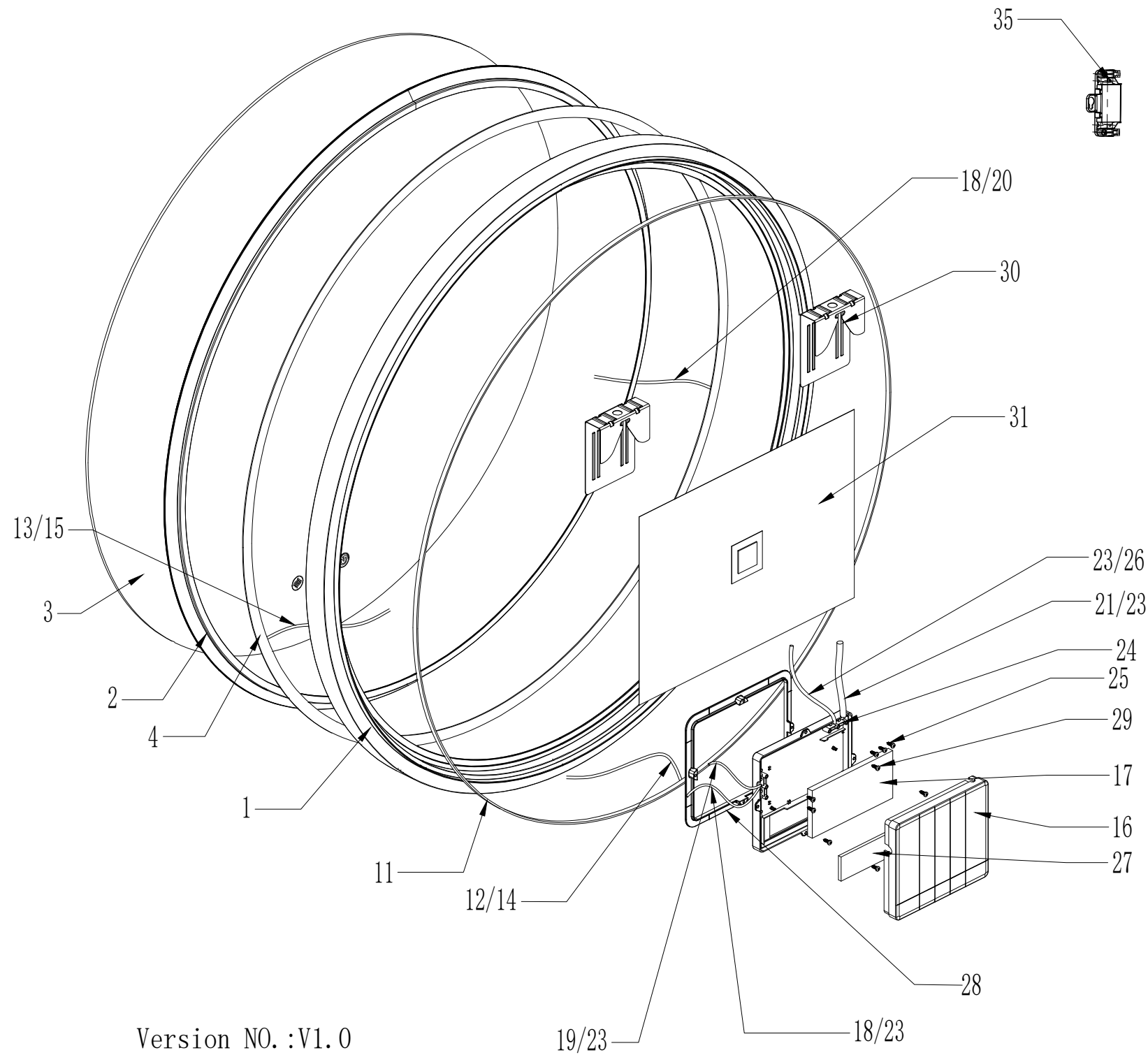


2024R07P04-0091

NEO FRAME LED LIGHTING MIRROR SENSEA ROUND 80CM BLACK



Version NO. :V1.0
Date:12/05/2023

35	Terminal box	76*41*15mm, IP44 VK-JB+T085M03S(T)	Pcs	1
31	Anti-fog film	220-240Vac/2*0.75mm 2*400mm/250*350mm/IP44/CE	Pcs	1
30	Hanging bracket	98*80*25mm	Pcs	2
29	M3 tapping screws	M3*10	Pcs	4
28	Driver box support	148.2*171.1*10.2mm	Pcs	1
27	Touch panel ABCD	ABCD/115*34mm1.2mm	Pcs	1
26	VDE Wire (Waterproof female end)	2*0.75mm2*200mm/White/IP44/CE	Pcs	1
25	M3 tapping screws	M3*16	Pcs	6
24	Three-hole press buckle	35*7*5mm	Pcs	2
23	waterproof plug	φ10*11mm	Pcs	4
21	VDE wire	2*0.75mm2*500mm/white	Pcs	1
19	Wire(Waterproof male end)	UL2468/3p/22AWG/length 150mm/one end tin 5mm/one end A2009HF-3P	Pcs	1
18	Wire(Waterproof male end)	UL2468/3P/22AWG/length 150mm/A2009HF-3P	Pcs	2
17	Driver 42W(220V)	AC-DC dirver/200-265VAC/12Vdc/42W>85%/PF>0.75/CE/with 5-pin socket/dimming,anti-fog film	Pcs	1
16	Driver box	162.7*139.8*24.5mm	Pcs	1
15	waterproof plug	φ9.5*7mm	Pcs	2
14	φ6 heat shrink sleeve	φ6*200m RSFR-H 125°C VW-1	Pcs	0.00025
13	Wire (Waterproof female end)	UL2468/3p/22AWG/length 600mm/A2009HF-3P	Pcs	2
12	Wire (Waterproof female end)	UL2468/3p/22AWG/length 150mm/A2009HF-3P	Pcs	1
11	Ambient light strip	bicolor/DC12V/2835/3V60MA/RA>80/8mm /2500mm/3000K/6500k/>135Lm/W	Pcs	1
4	PCB	Aluminum substrate R394.5*1.2mm/White oil black/tin spray/thermal conductivity≥1.0/Copper foil should be resistant to 245 degrees of high temperature does not fall off	Pcs	8
3	Mirror	φ764.5*4mm	Pcs	1
2	Light Diffuser	φ792*15.5mm,PMMA,425	Pcs	1
1	Aluminum frame	φ800*38mm, aluminum, Black	Pcs	1
Item	Description	Material/Size	Unit	Conso