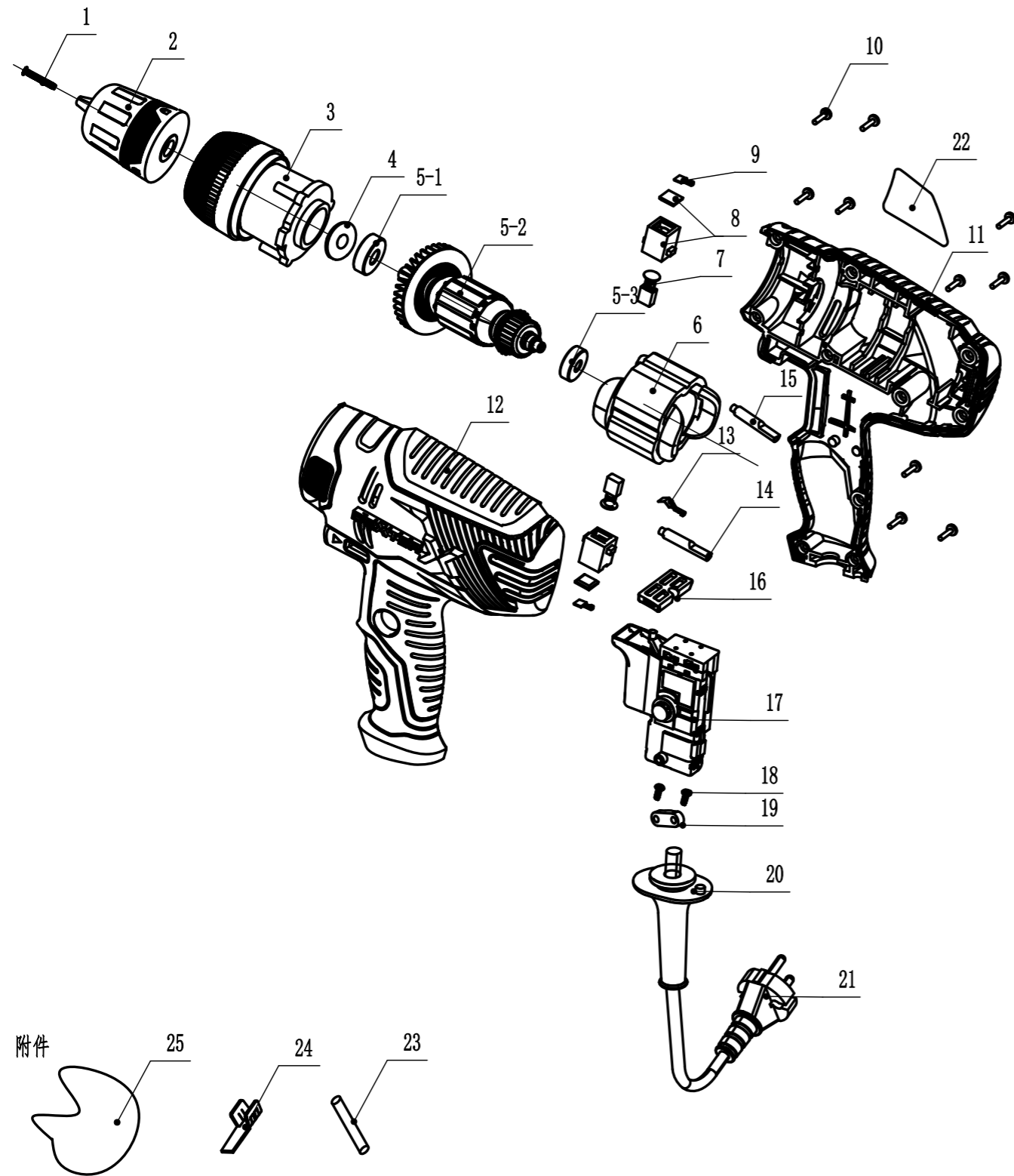


Product exploded view\_EU



PART LIST

NO.	Description	QTE
1	Screw	1
2	Chuck	1
3	Gear box assembly	1
4	Wool washer	1
5	Rotor assembly	1
6	Stator	1
7	Carbon Brush	1
8	Carbon brush cover	1
9	Brush holder	1
10	Screw	10
11	Right housing	1
12	Left housing	1
13	Wire clamp	1
14	Cylindrical inductance	1
15	Cylindrical inductance	1
16	Reverse thrust block	1
17	Switch	1
18	Screw	2
19	Cable press plate	1
20	Power cord sleeve	1
21	Power cord with VDE Plug	1
22	Label	1
23	Heat shrinkable tube	0.12 m
24	buckle	10
25	Grease	3g

