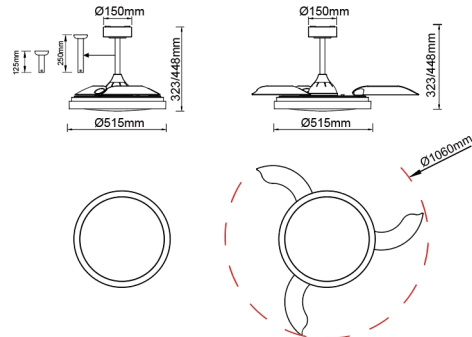


Collection: VENTILACION
Family: MISTRAL

Reference: 8827
Date: 23/11/2023



MAIN DATA		SIZES	
Category:	Ventilation	Height (h):	32.5-45 cm
Tipology:	15	Diameter (ø):	50 cm
Description:	Ceiling Lamp LED 50W Fan 28W	Width (l):	
Finish:	Wood	Depth (w):	
Material:	Iron/PMMA/PC		
EAN:	8435153288272		

APPLICATIONS			
Dimmable:	YES	Switcher type:	Initial colour temperature:
Dimmer included:	images/shared/logos/dimer_remotecontrol_ir.png	Adjustable high:	NO
			Dimmer compatibility:

LED		DRIVER	
Lumens:	3200 lm	Driver ref.:	
CCT:	3000K-6500K	Driver brand:	
LED watt:	50	Driver model:	
LED Life (hours):	25.000	Driver output:	
Replaceable:	NO	Driver certificate:	
LED Brand/Type:		Remote Code:	R00145
On/Off:	10.000		

LOGISTIC

Total box per item:	1	INDIV.
	Box 1	Gross weight: 6,80 kg
CBM Ind. Box:	0,078 m ³	Nett weight: 5,20 kg
Box height (h):	25 cm	
Box width (l):	56 cm	
Box depth (w):	56 cm	

INSTALLATION

Class protection:	I	Guarantee:	5 years	Charger:	
Input:	220-240V~50/60Hz	ERP:		Bluetooth:	NO
Beam angle:	120°	IP Protection:	IP20	Speaker:	
Cut hole:		CRI:	>= 80		

VARIOUS

CE Certification:		Recycling Tax:	04041A
HS Code:	84145100/90	Designer:	
Notes:			