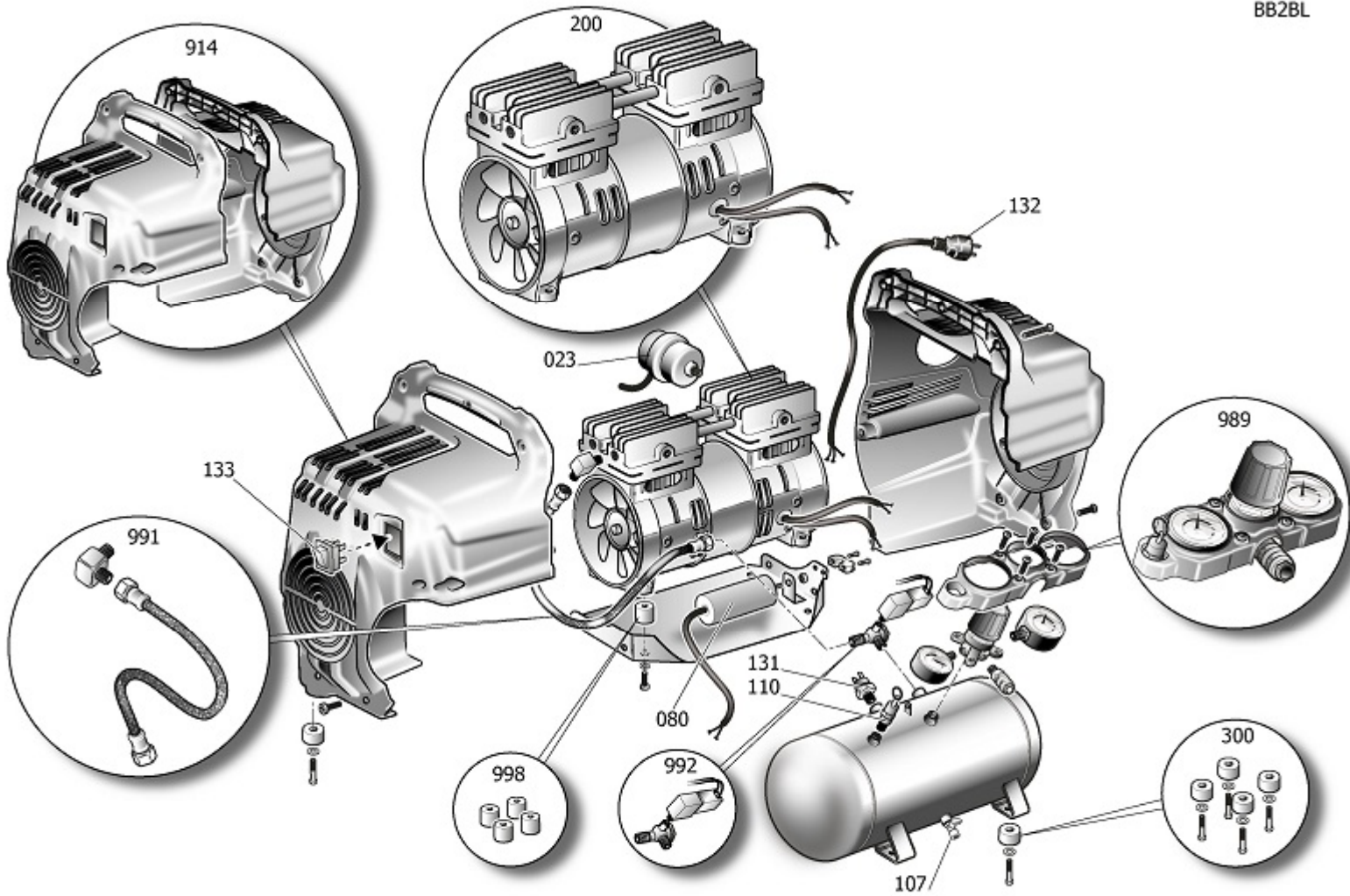


BB2BL

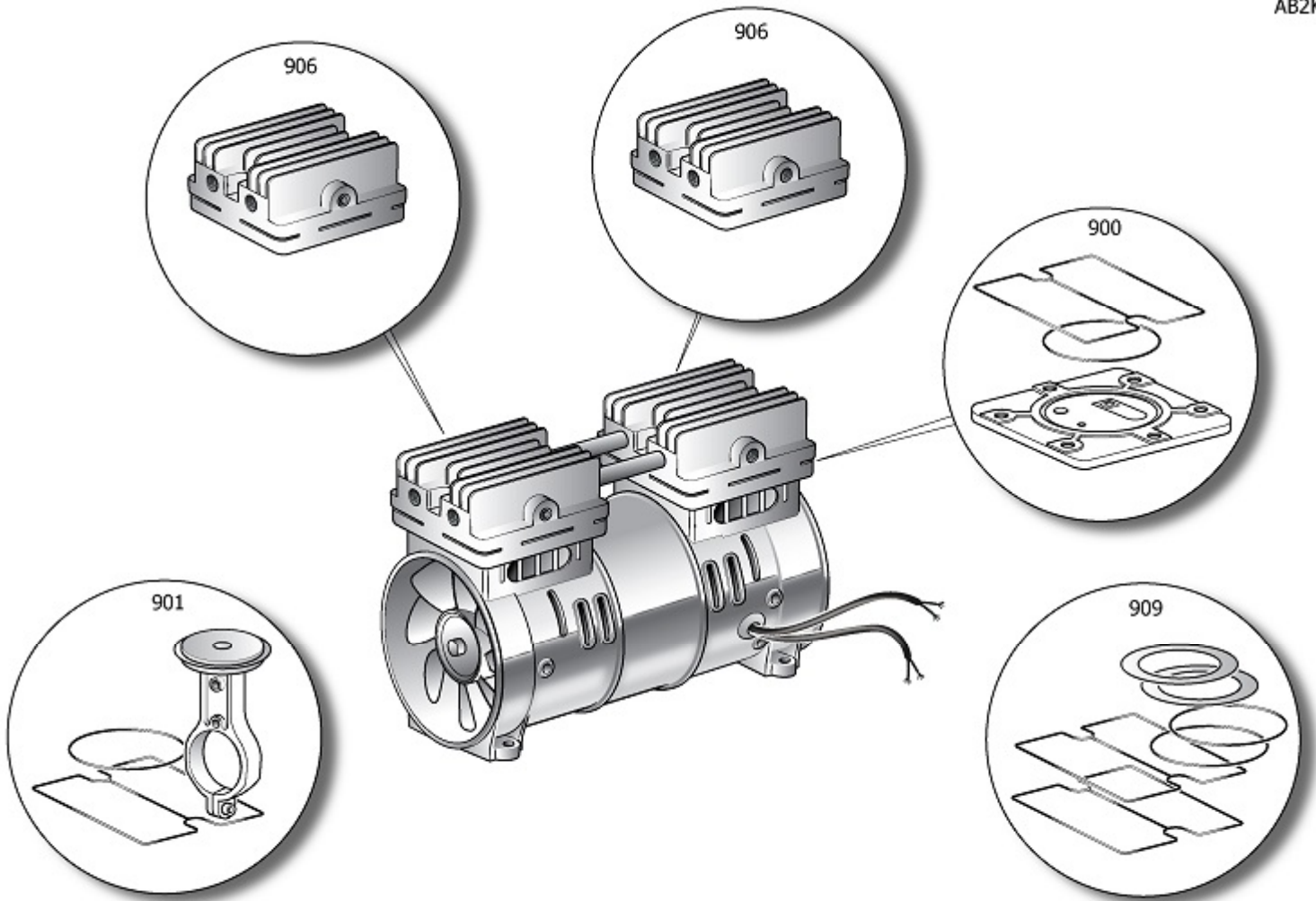




B2BL104STF564

DST 101/8/6

Pos	Component	MU	Multiplier
23	9430200	AIR FILTER ASSEMBLY	PZ 1,0
80	9430230	CONDENSER	PZ 1,0
107	9047100	CONDENSATE DRAIN COCK	PZ 1,0
110	9049190	RELIEF VALVE	PZ 1,0
131	9430208	COMPLETE PRESSURE SWITCH	PZ 1,0
132	9430209	POWER CABLE	PZ 1,0
133	9064806	SWITCH	PZ 1,0
200	9417746	BARE PUMP	PZ 1,0
300	9430210	WHEELS/FEET MOUNTING KIT	PZ 1,0
914	9430216	CONVEYOR KIT	PZ 1,0
989	9430218	MPK PRESS.RED.SILTEK/S YEL	PZ 1,0
991	9430213	KIT SENDING PIPE	PZ 1,0
992	9430214	KIT NOT RETURN VALVE	PZ 1,0
998	9430215	KIT DAMPERS	PZ 1,0





PUMP OL110 4P 2

BARE PUMP

Pos	Component		MU	Multiplier
900	9434A37	MPK VALVE PLATE OL110 (Q2)	PZ	1,0
901	9434B36	MPK CONROD ASS.LY OL110 (Q2)	PZ	1,0
906	9430222	MPC HEAD RG SILTEK+/S	PZ	1,0
906	9430233	MPC HEAD LF SILTEK+/S	PZ	1,0
909	9434F37	MPK GASKETS+SEALS OL110 (Q2)	PZ	1,0