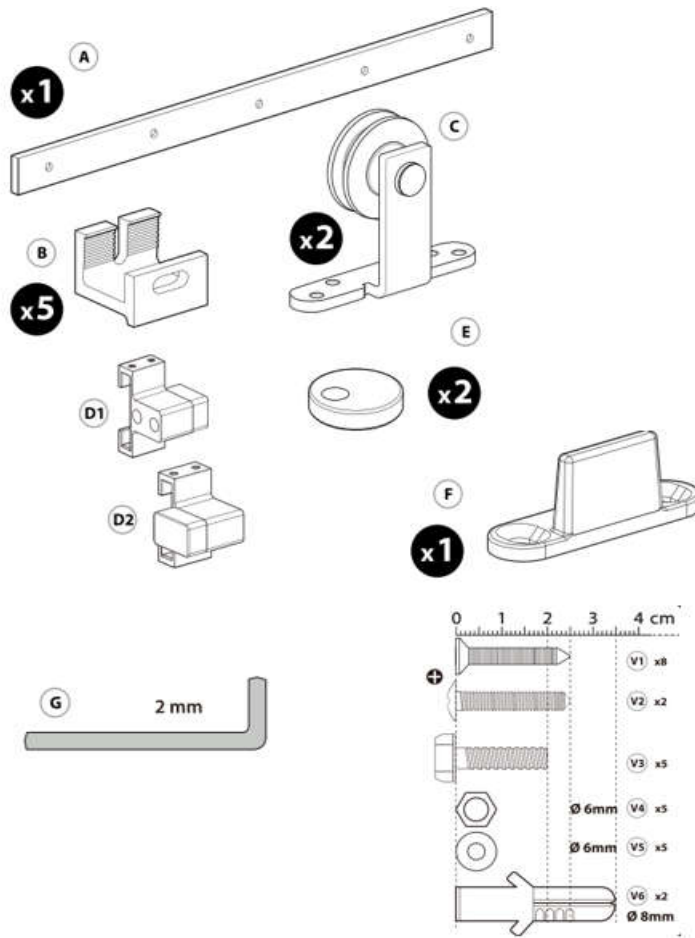


Product exploded view

ADEO Ref	842929
EAN Code	3276000551744



Parts No.	Name	Quantity	Material & Surface process
A	Rail	1	Carbon steel & Black
B	Spacer	5	Aluminum & Black
C	Roller	2	Carbon steel ;POM& Black
D1	Door stopper left	1	Carbon steel ;SS304;rubber& Black
D2	Door stopper right	1	Carbon steel ;SS304;rubber& Black
E	Anti-jump block	2	POM&Black
F	Floor guide	1	POM&Black
G	Hex Wrench	1	Carbon steel &galvanized
V1	Screw	8	SS304
V2	Screw	2	SS304
V3	Screw	5	Carbon steel &Black
V4	Nut	5	Carbon steel &Black
V5	Washer	5	Carbon steel &Black
V6	Wall plug	2	PE